



US00D770052S

(12) **United States Design Patent** (10) **Patent No.:** **US D770,052 S**
Abu-Tarif et al. (45) **Date of Patent:** **** Oct. 25, 2016**

(54) **VITAL SIGNS DEVICE**

D535,031 S *	1/2007	Barrett	D24/186
D598,551 S *	8/2009	Miwa	D24/186
D606,659 S *	12/2009	Kiani	D24/186
D609,351 S *	2/2010	Wagener	D24/186
D692,145 S *	10/2013	Al-Ali	D24/186

(71) Applicant: **MIDMARK CORPORATION**,
Versailles, OH (US)

(72) Inventors: **Asad Abu-Tarif**, Irvine, CA (US); **Jeff T. DeBord**, Worthington, OH (US); **Ranier B. Teufel**, Worthington, OH (US); **Jon E. Wells**, New Bremen, OH (US); **Steven K. Cordonnier**, Bradford, OH (US); **Carlos J. Castillo**, Huntington Beach, CA (US)

* cited by examiner

Primary Examiner — Anhdao Doan

(74) *Attorney, Agent, or Firm* — Frost Brown Todd LLC

(73) Assignee: **Midmark Corporation**, Versailles, OH (US)

(57) **CLAIM**

The ornamental design for a vital signs device, as shown and described.

(**) Term: **15 Years**

(21) Appl. No.: **29/539,489**

DESCRIPTION

(22) Filed: **Sep. 15, 2015**

(51) **LOC (10) Cl.** **24-02**

(52) **U.S. Cl.**
USPC **D24/186**

(58) **Field of Classification Search**
USPC D24/165–168, 186, 187, 107; D10/70, D10/75, 98
CPC A61B 5/02405; A61B 5/02411; A61B 5/02427; A61B 5/02438; A61B 2560/0412
See application file for complete search history.

FIG. 1 is a top perspective view of a vital signs device, showing our new design;
FIG. 2 is a front elevational view thereof;
FIG. 3 is a back elevational view thereof;
FIG. 4 is a left elevational view thereof;
FIG. 5 is a right elevational view thereof;
FIG. 6 is a top plan view thereof; and,
FIG. 7 is a bottom plan view thereof.

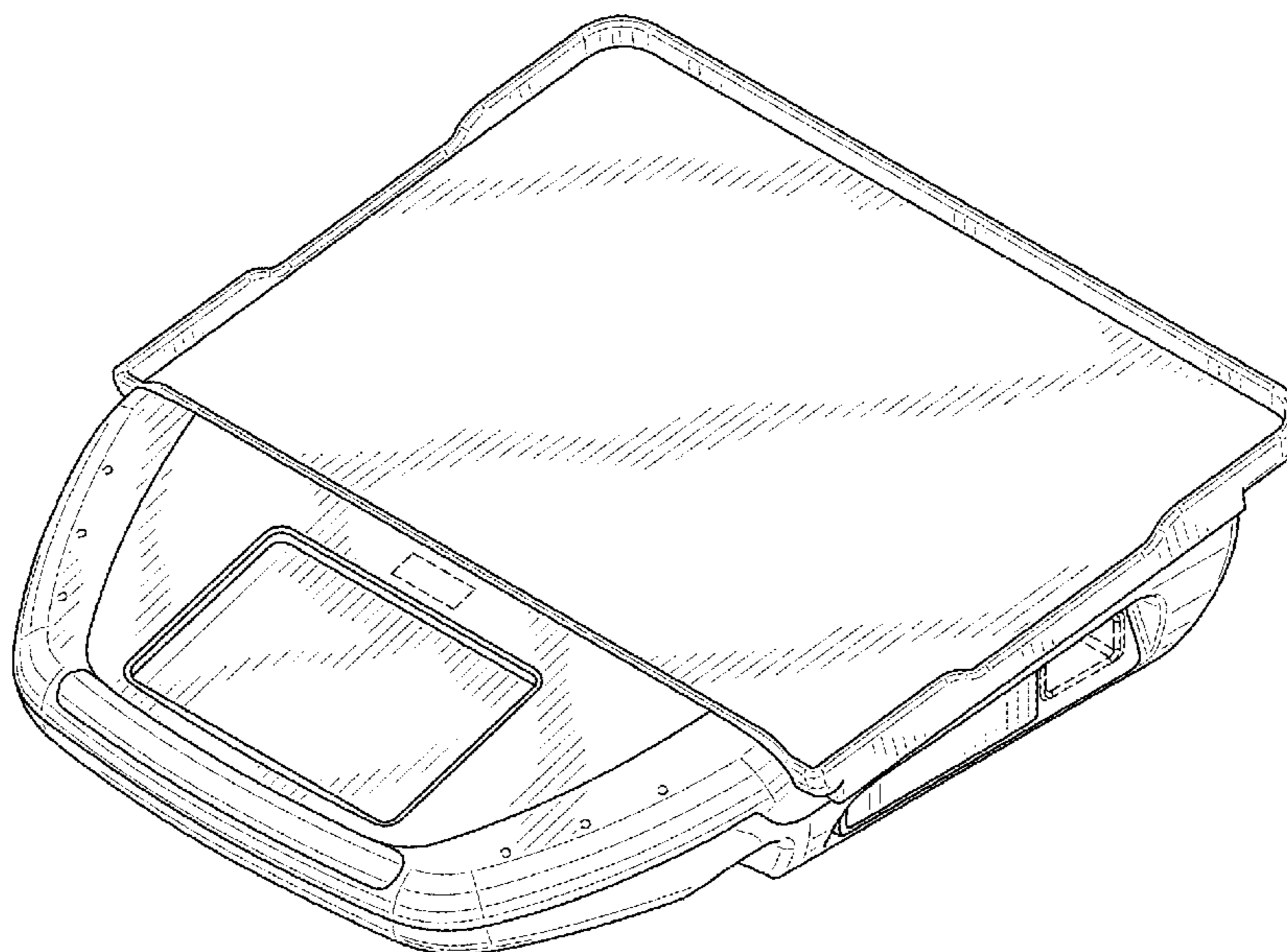
The broken lines illustrate portions of the vital signs device that form no part of the claimed design. The broken lines form no part of the claimed design.

(56) **References Cited**

U.S. PATENT DOCUMENTS

D394,903 S *	6/1998	Barkley	D24/167
D414,870 S *	10/1999	Saltzstein	D24/186
D427,315 S *	6/2000	Saltzstein	D24/186

1 Claim, 5 Drawing Sheets



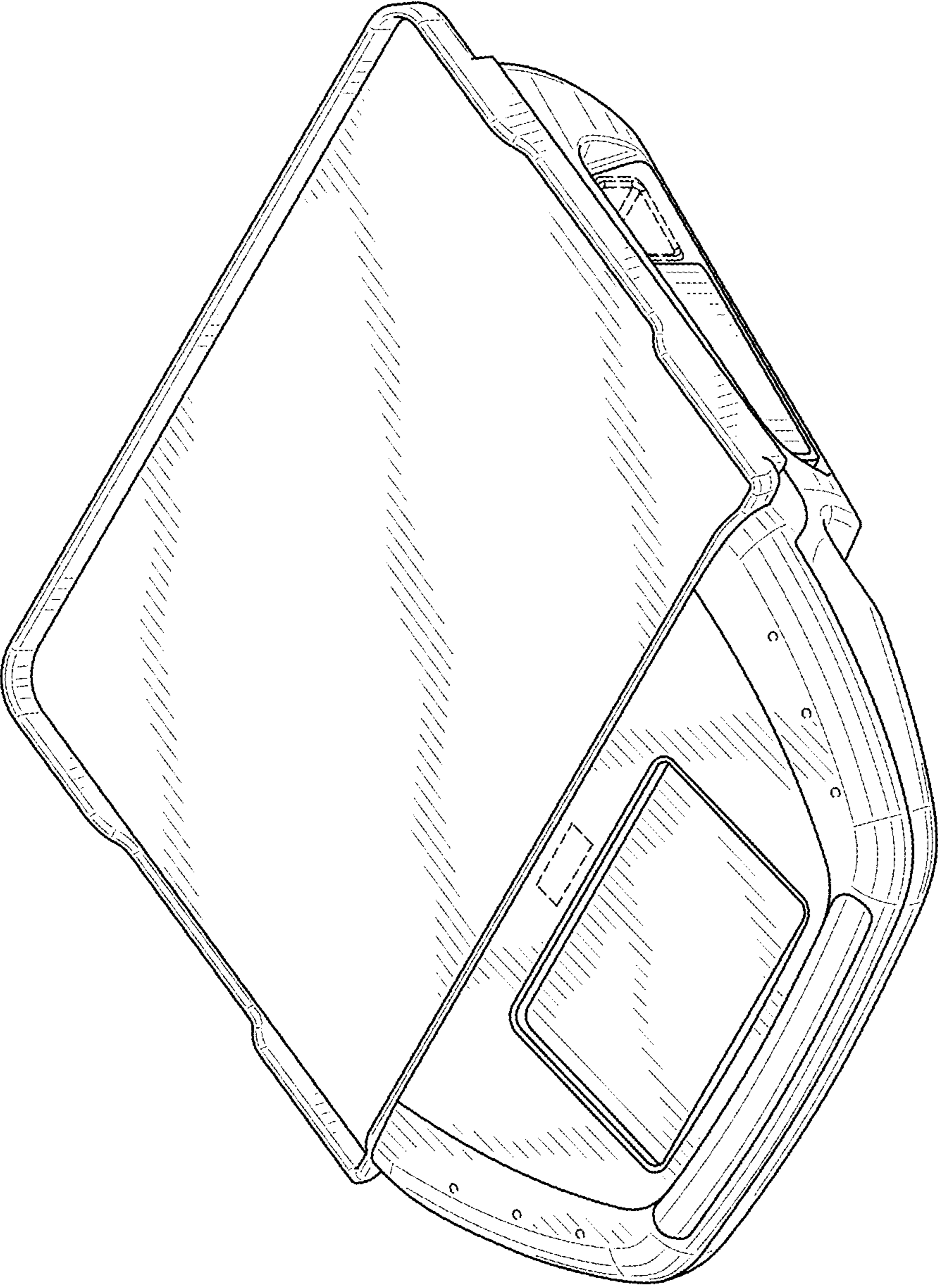


FIG. 1

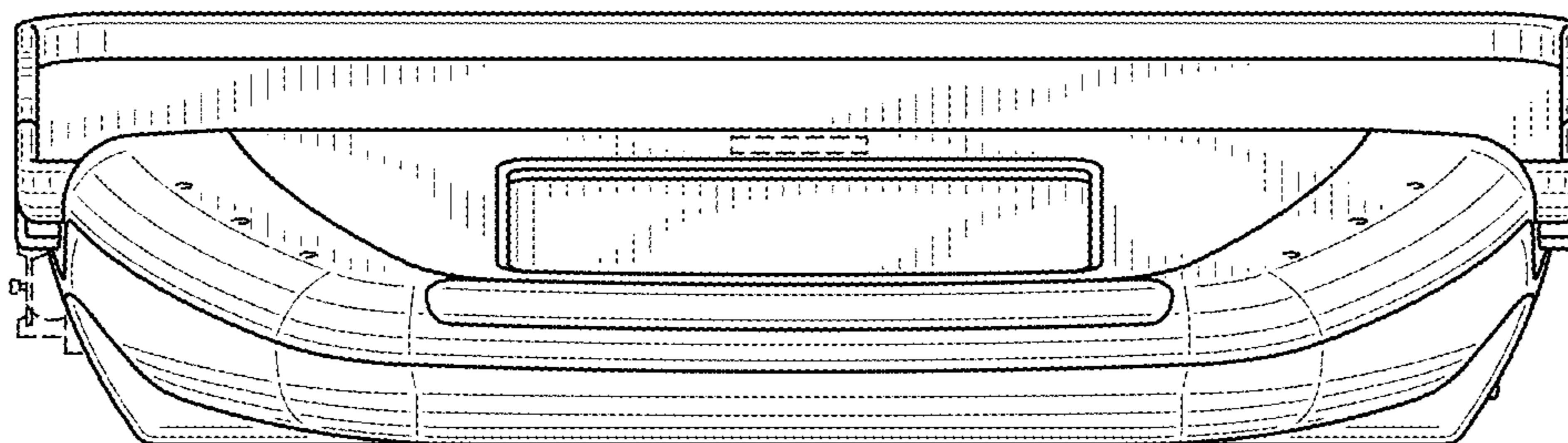


FIG. 2

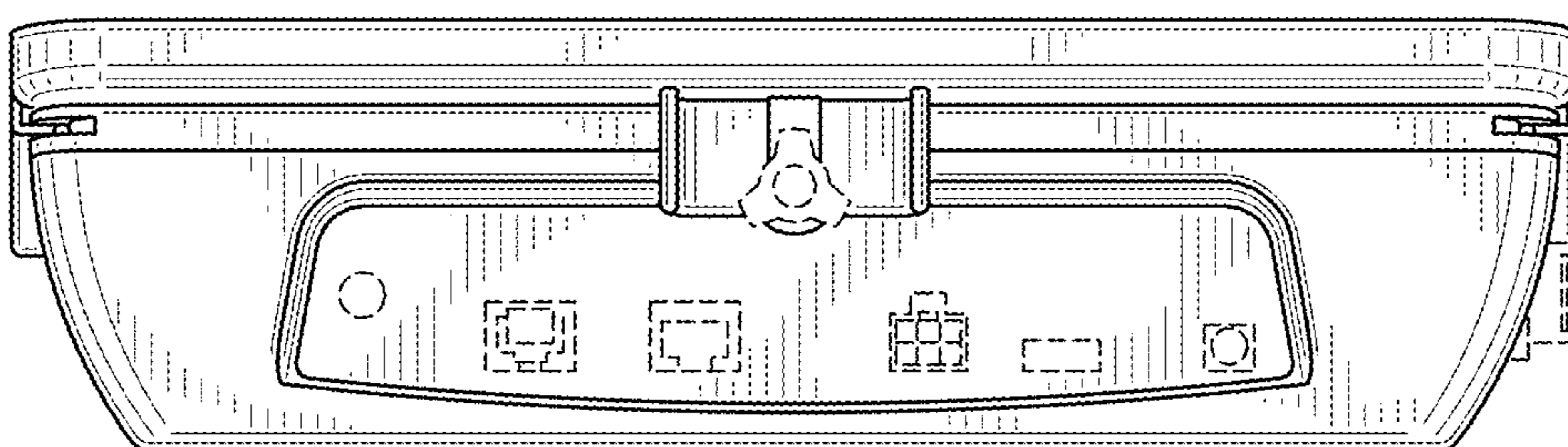


FIG. 3

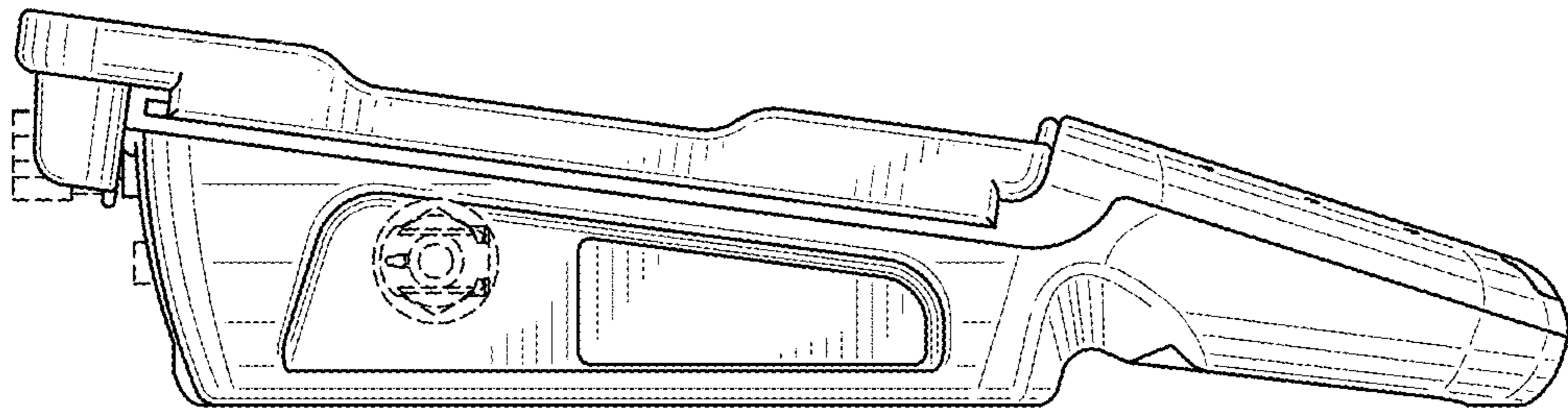


FIG. 4

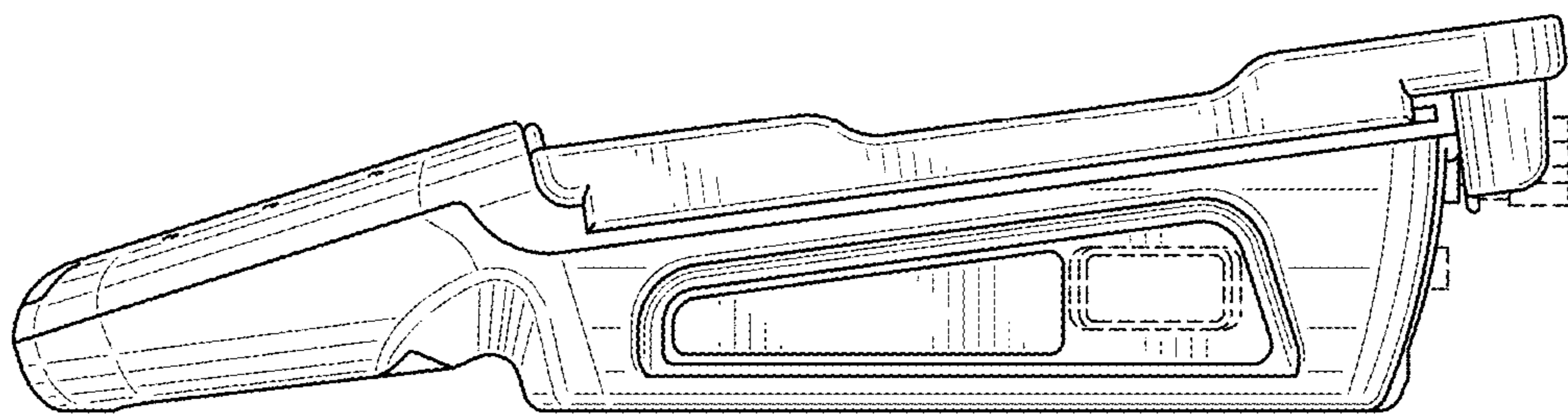


FIG. 5

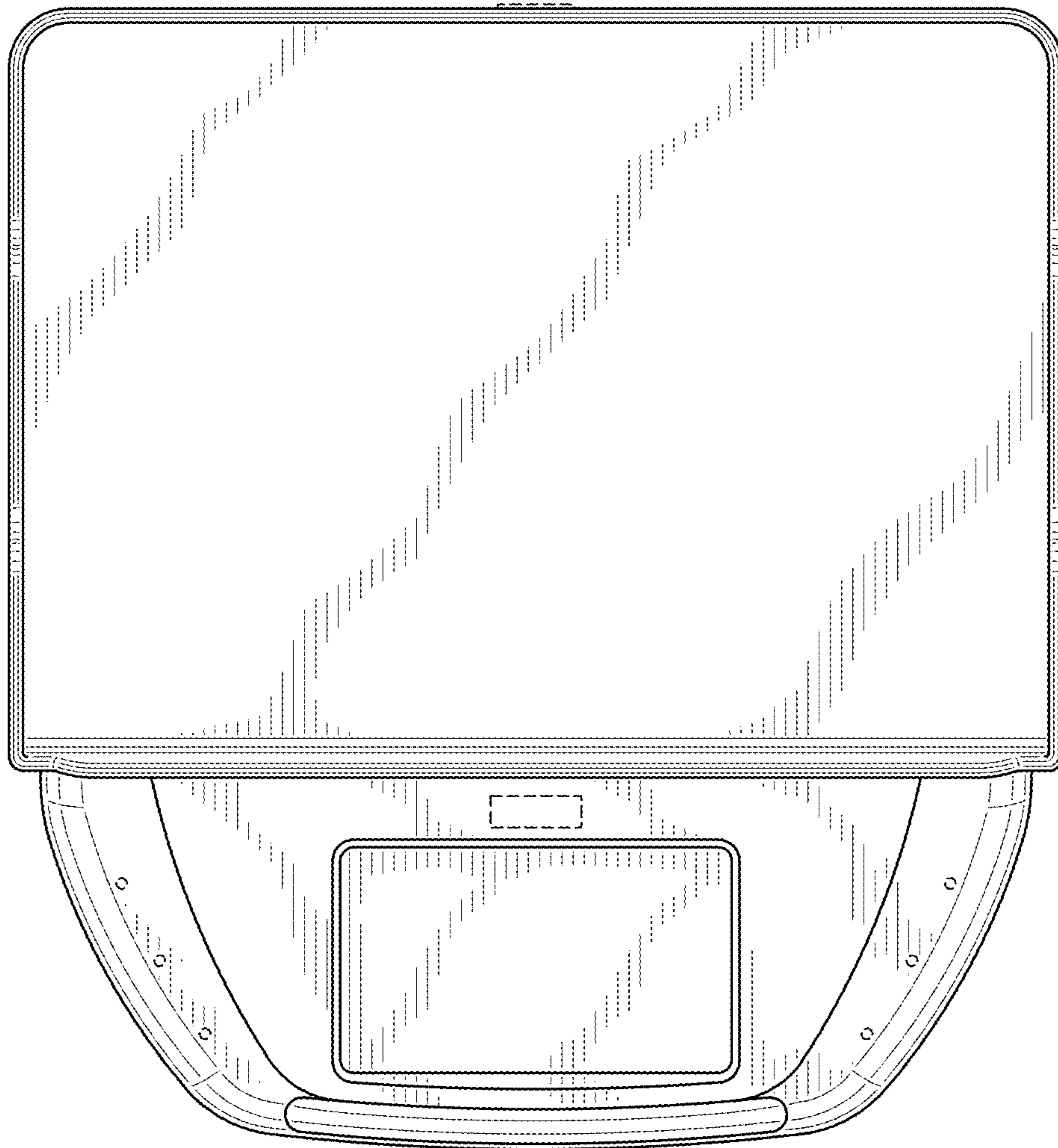


FIG. 6

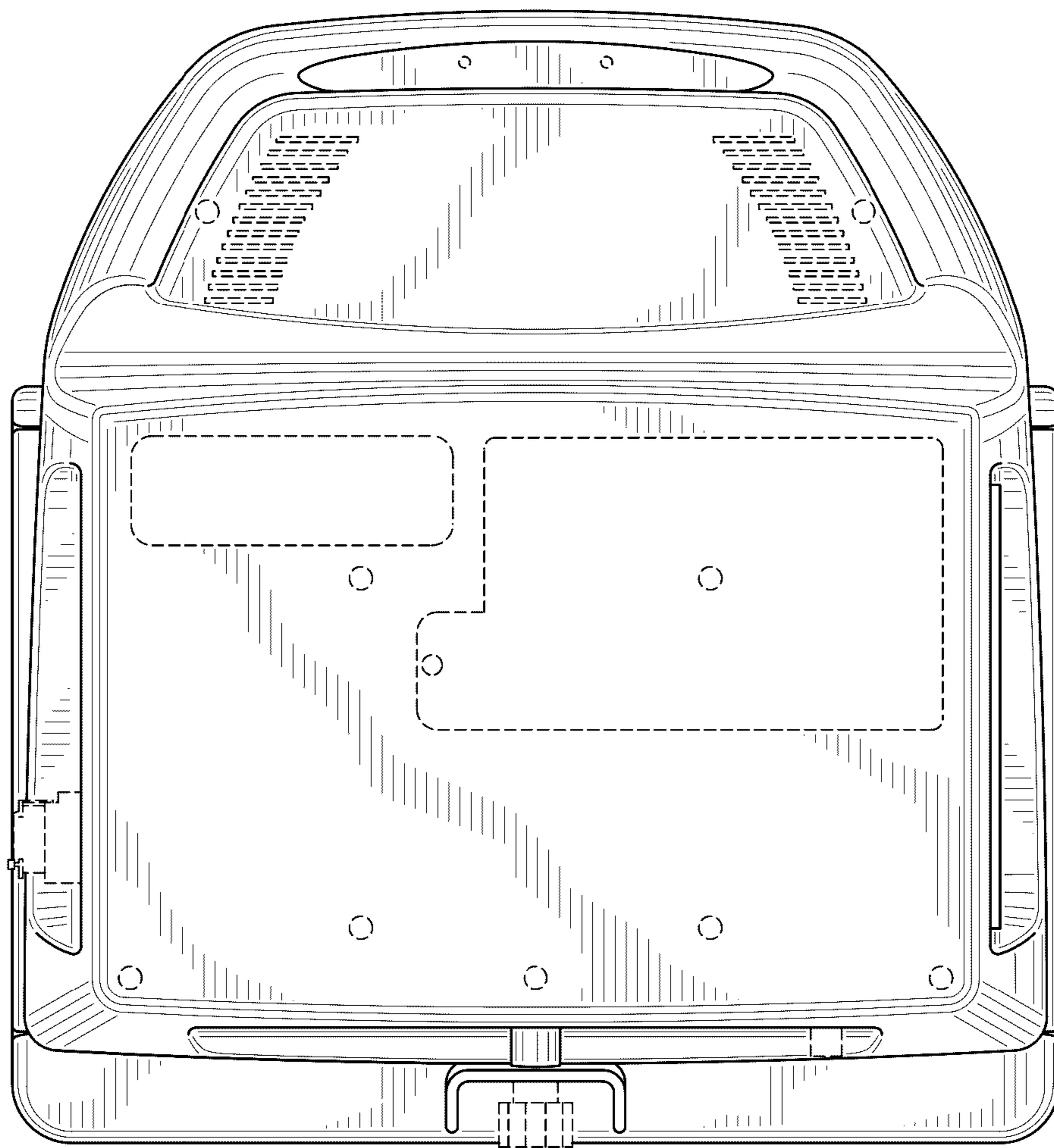


FIG. 7