



US00D770051S

(12) **United States Design Patent** (10) **Patent No.:** **US D770,051 S**  
**Eggli et al.** (45) **Date of Patent:** **\*\* Oct. 25, 2016**

(54) **MONITOR**  
(71) Applicant: **Karl Storz GmbH & Co. KG**,  
Tuttlingen (DE)  
(72) Inventors: **Armin Eggli**, Uhwiesen (CH); **Ulrich Merz**,  
Villingen-Schwenningen (DE); **Eugenia Fuhr**,  
Tuttlingen (DE); **Fabian Zimmerli**,  
Warth (CH)  
(73) Assignee: **Karl Storz GmbH & Co. KG**,  
Tuttlingen (DE)  
(\*\*) Term: **14 Years**  
(21) Appl. No.: **29/518,923**  
(22) Filed: **Feb. 27, 2015**  
(30) **Foreign Application Priority Data**

Aug. 28, 2014 (EM) ..... 002527044-0001  
(51) **LOC (10) Cl.** ..... **24-02**  
(52) **U.S. Cl.**  
USPC ..... **D24/186**  
(58) **Field of Classification Search**  
USPC ..... D24/110, 138, 160, 164-169, 172,  
D24/186-188, 200, 216; D10/60, 102-103;  
D14/336, 341-345, 371-375, 434,  
D14/356; 600/301, 376, 453, 103, 513, 484,  
600/519, 528, 532, 536, 538, 586, 549  
See application file for complete search history.

(56) **References Cited**  
U.S. PATENT DOCUMENTS  
D306,758 S 3/1990 Stanley  
D344,735 S 3/1994 Ohman  
D349,340 S 8/1994 Snoke et al.  
D356,548 S 3/1995 Bottcher et al.  
D358,471 S 5/1995 Cope et al.  
D364,679 S 11/1995 Heaton et al.  
D392,043 S \* 3/1998 Cooper ..... D24/186

D393,072 S 3/1998 Rogler  
D395,513 S 6/1998 Rogler  
D416,088 S 11/1999 Krauter et al.  
D434,147 S 11/2000 Ward et al.  
D455,748 S 4/2002 Yamada  
D459,813 S 7/2002 Ramsey, III  
D484,022 S 12/2003 Tsai  
D507,832 S 7/2005 Yanniello et al.  
D508,693 S 8/2005 Morisawa  
D532,026 S 11/2006 Sosniak et al.  
D534,655 S 1/2007 Iranyi et al.  
D538,432 S 3/2007 Diener et al.  
D541,490 S 4/2007 Madson  
D545,784 S 7/2007 Dayan  
D545,965 S 7/2007 Shigemori et al.  
D549,831 S \* 8/2007 Ward ..... D24/186  
D551,185 S 9/2007 Choe  
D562,318 S 2/2008 Ward  
D562,456 S 2/2008 Scruggs et al.  
D587,469 S 3/2009 Lin  
D589,476 S 3/2009 Li et al.

(Continued)

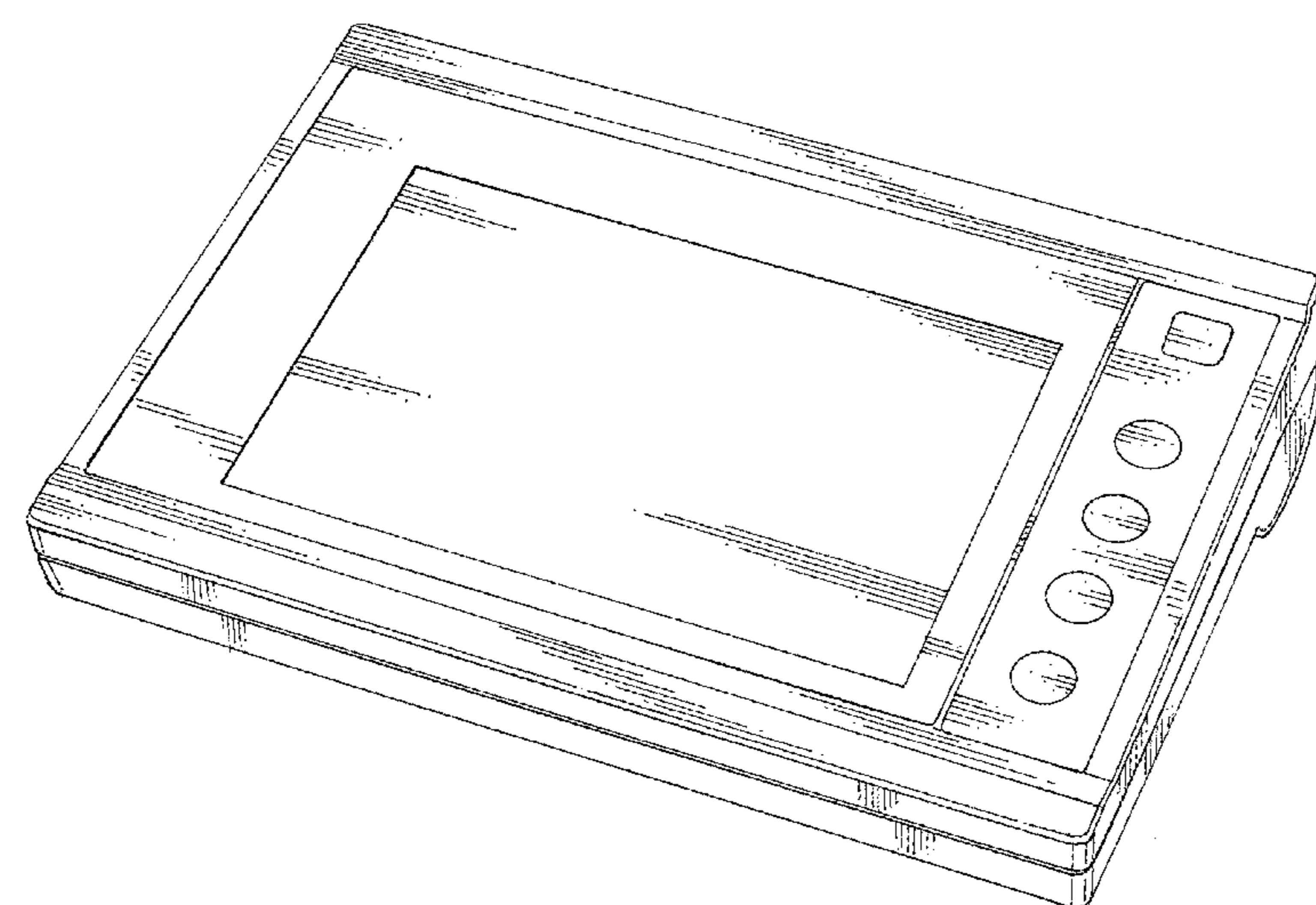
*Primary Examiner* — Ian Simmons  
*Assistant Examiner* — Samantha Q Lawrence  
(74) *Attorney, Agent, or Firm* — Whitmyer IP Group LLC

(57) **CLAIM**  
The ornamental design for a monitor, as shown and described.

**DESCRIPTION**

FIG. 1 is a front left side isometric view of a monitor in accordance with the new design;  
FIG. 2 is a front isometric view thereof;  
FIG. 3 is a rear isometric view thereof;  
FIG. 4 is a right side isometric view thereof; and  
FIG. 5 is a left side isometric view thereof;  
FIG. 6 is a top plan view thereof; and,  
FIG. 7 is a bottom plan view thereof.  
The broken lines shown in FIGS. 3, 4, 6, and 7 are for the purpose of illustrating portions of the monitor that form no part of the claimed design.

**1 Claim, 7 Drawing Sheets**



(56)

**References Cited**

U.S. PATENT DOCUMENTS

D590,502 S 4/2009 Geisser et al.  
 D592,754 S \* 5/2009 Koike ..... D24/186  
 D595,250 S 6/2009 Chiu  
 D598,097 S 8/2009 Amano  
 D599,905 S 9/2009 Matsushita  
 D600,814 S 9/2009 Lathrop et al.  
 D605,145 S 12/2009 Kellar  
 D614,769 S 4/2010 Vogel et al.  
 D615,199 S 5/2010 Zimmerli et al.  
 D627,883 S 11/2010 Hayashi  
 D638,543 S 5/2011 Geisser et al.

D695,410 S \* 12/2013 Becker ..... D14/371  
 D697,214 S \* 1/2014 Rosenfeldt ..... D24/186  
 D734,857 S \* 7/2015 Weichert ..... D24/186  
 D734,858 S \* 7/2015 Weichert ..... D24/186  
 D734,859 S \* 7/2015 Weichert ..... D24/186  
 D735,344 S \* 7/2015 Weichert ..... D24/186  
 D741,497 S \* 10/2015 Aber ..... D24/167  
 D745,167 S \* 12/2015 Canas ..... D10/78  
 D745,173 S \* 12/2015 Marzynski ..... D24/186  
 2002/0032365 A1 3/2002 Hasegawa et al.  
 2004/0225185 A1 11/2004 Obata et al.  
 2008/0207993 A1 8/2008 Maruyama et al.  
 2014/0107422 A1 \* 4/2014 Huels ..... A61B 1/00105  
 600/188

\* cited by examiner

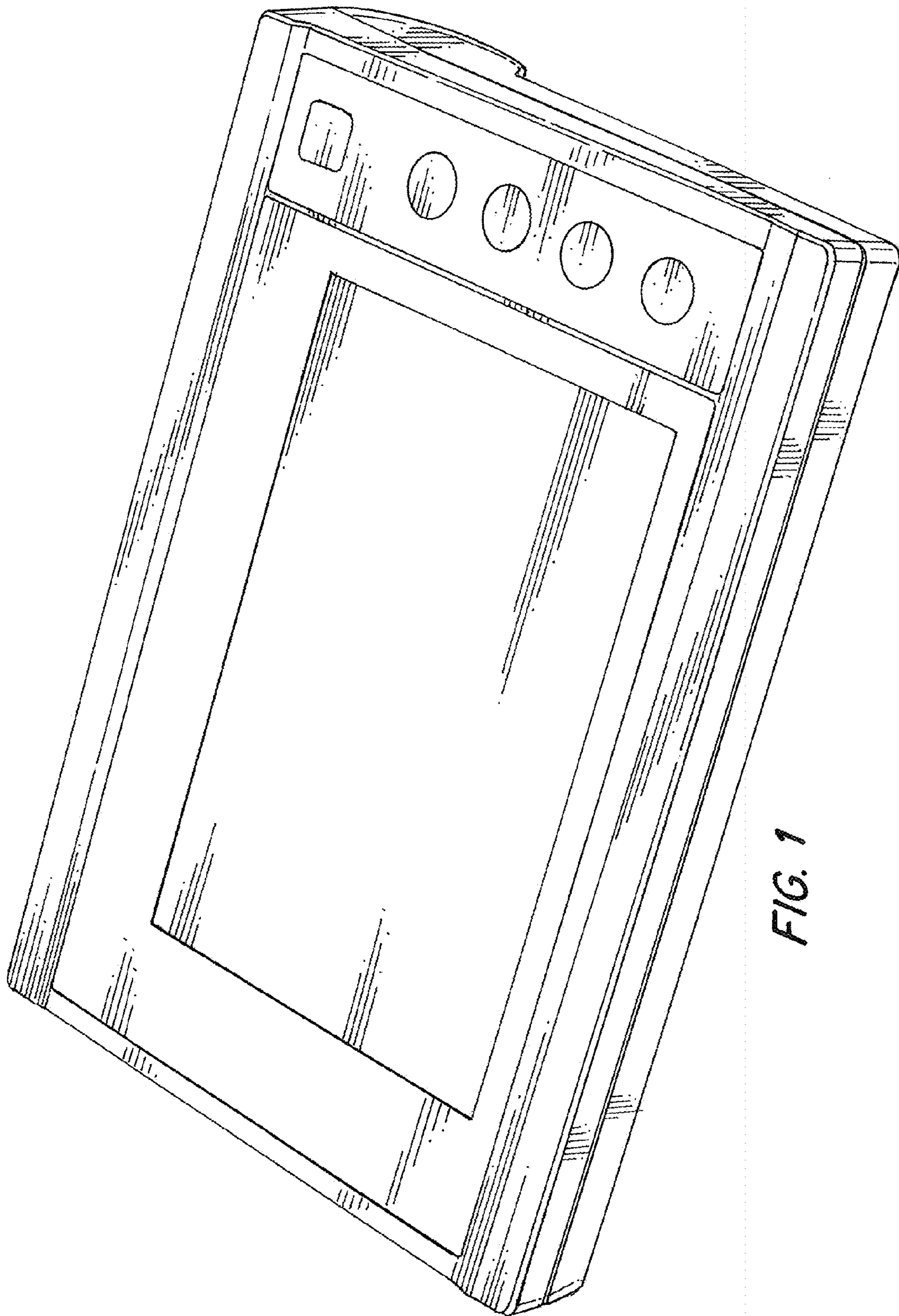


FIG. 1

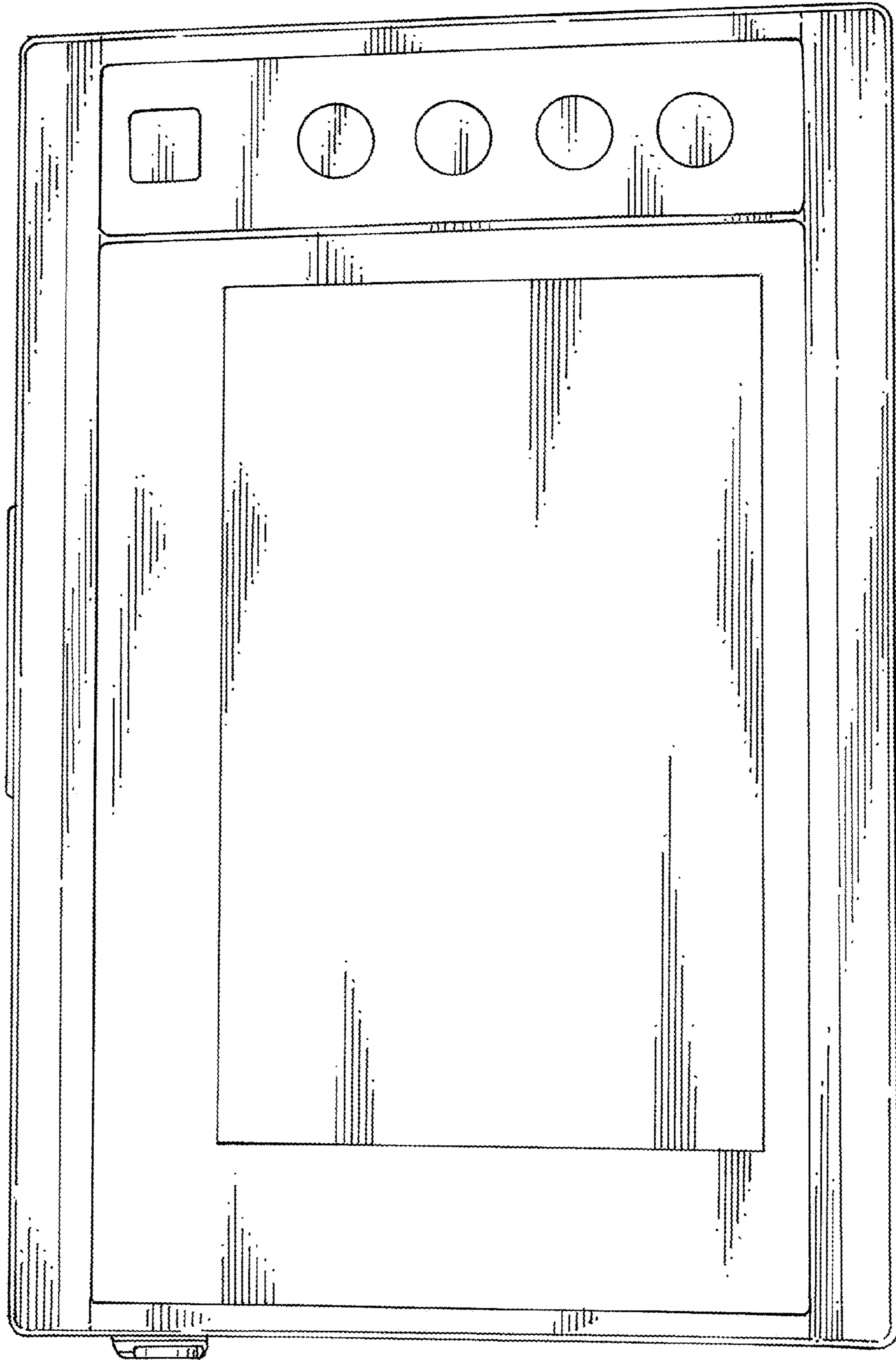


FIG. 2

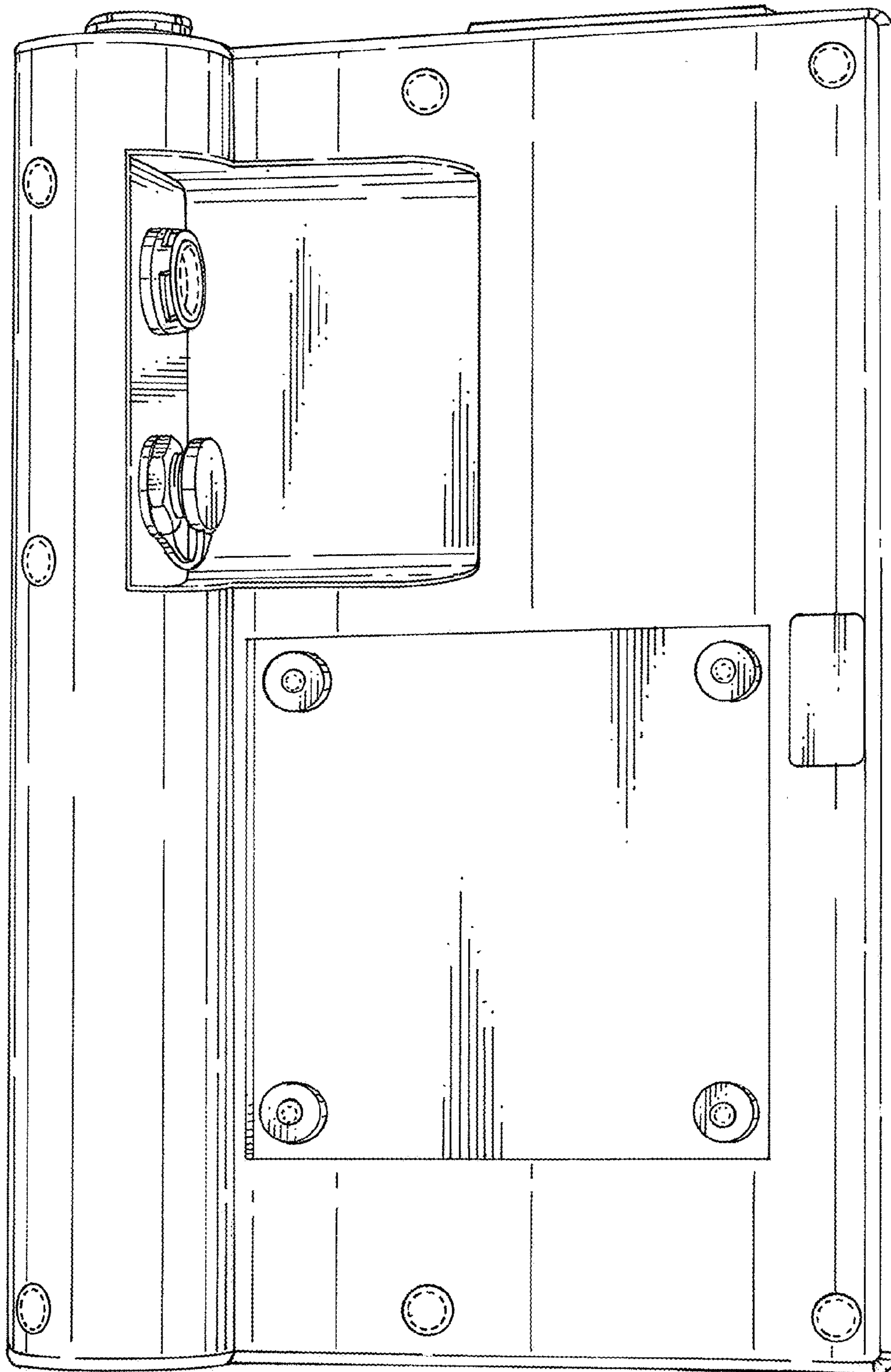


FIG. 3

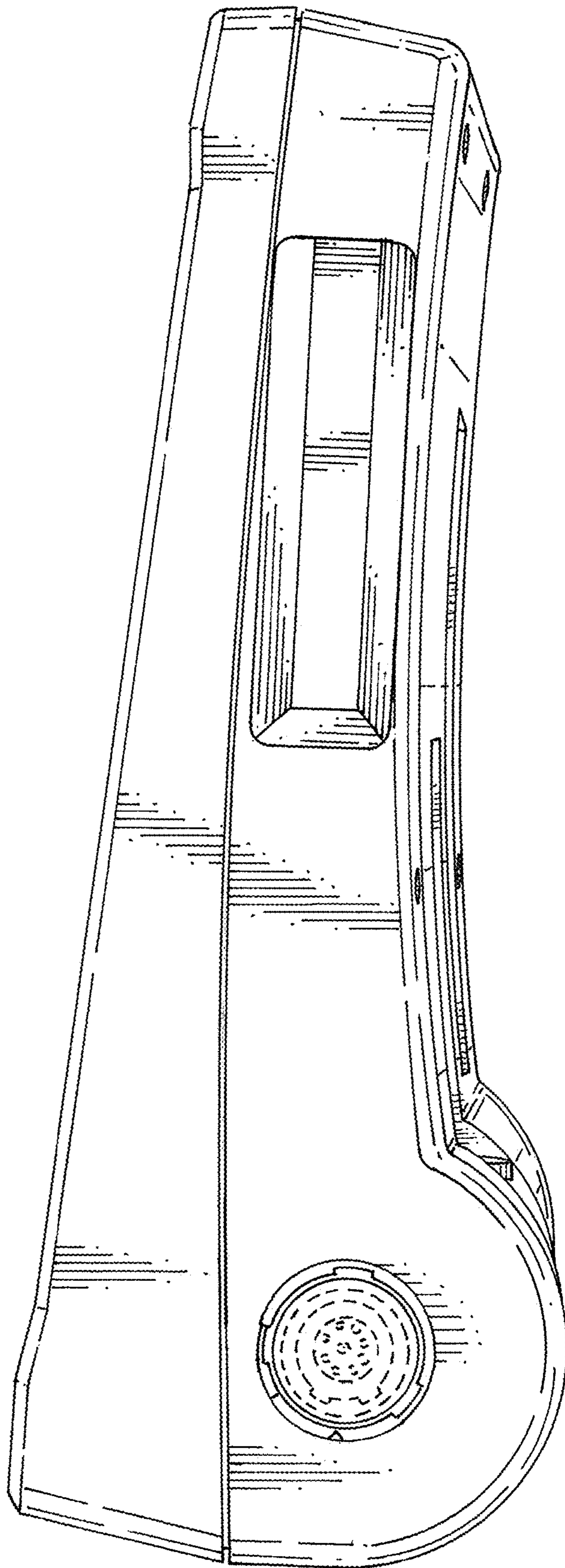
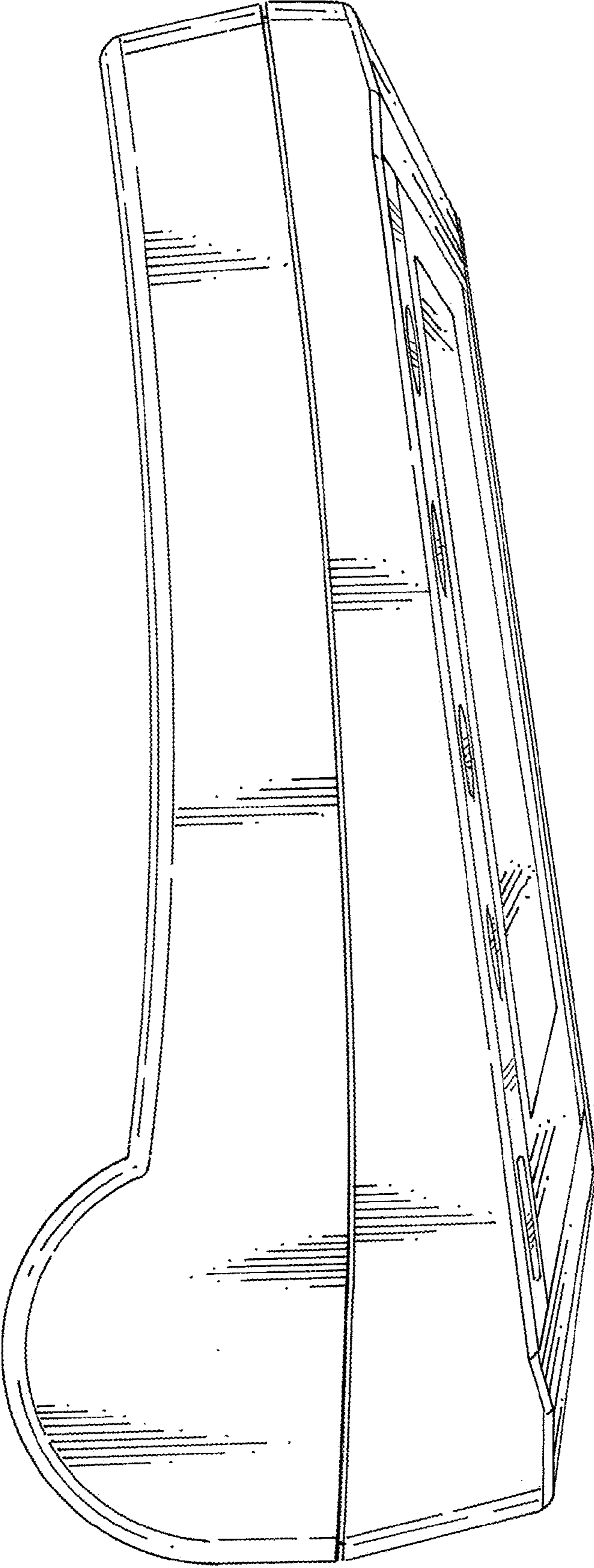


FIG. 4



*FIG. 5*

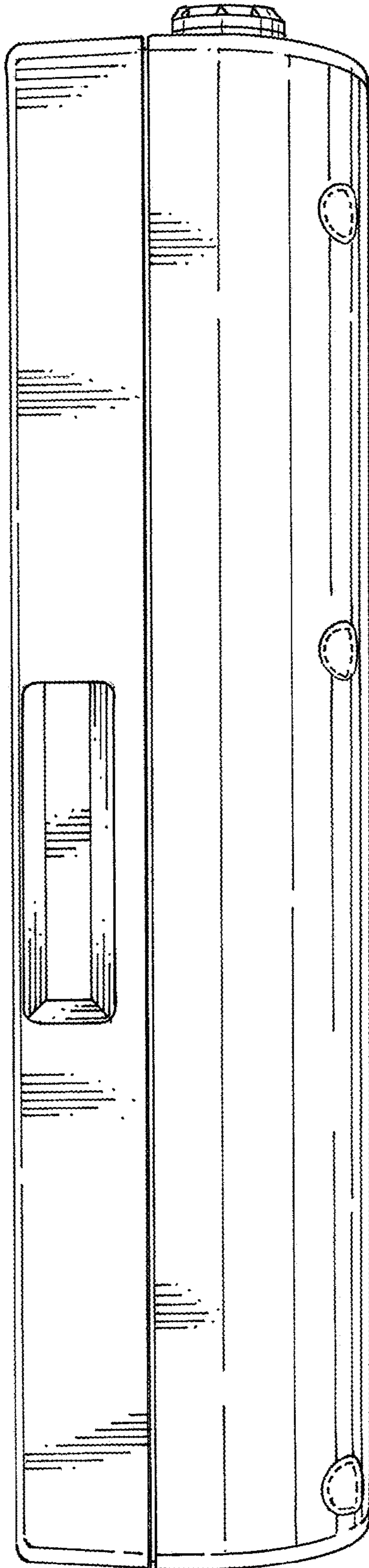


FIG. 6



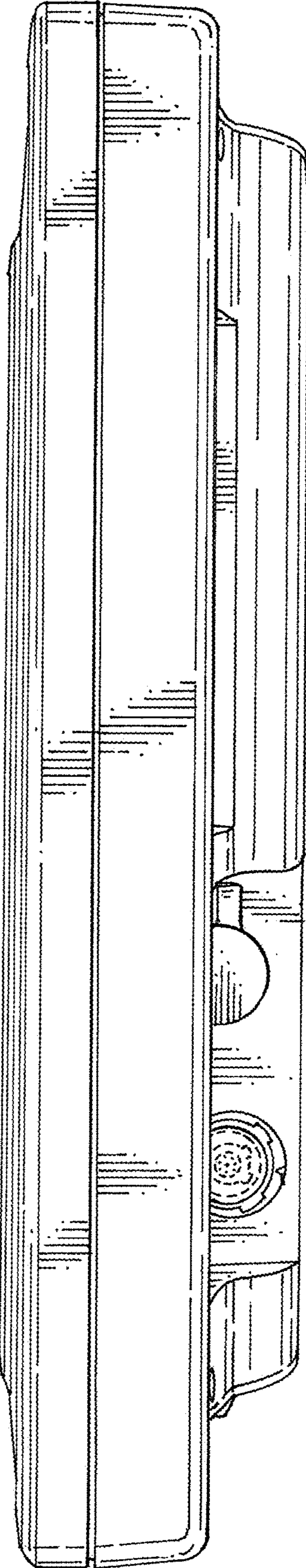


FIG. 7