



US00D770047S

(12) **United States Design Patent** (10) **Patent No.:** **US D770,047 S**  
**Schneidereit et al.** (45) **Date of Patent:** **\*\* Oct. 25, 2016**

- (54) **SURGICAL MESH IMPLANT HAVING A FLOATING THREAD GRID MARKER**
- (71) Applicant: **Johnson & Johnson Medical GMBH**, Somerville, NJ (US)
- (72) Inventors: **Jenifer Schneidereit**, Hamburg (DE); **Boris Batke**, Lubeck (DE); **Barbara Schuldt-Hempe**, Bad Bramstedt (DE)
- (73) Assignee: **Johnson & Johnson Medical GMBH**, Norderstedt (DE)
- (\*\*) Term: **14 Years**
- (21) Appl. No.: **29/516,492**
- (22) Filed: **Feb. 3, 2015**
- (51) **LOC (10) Cl.** ..... **24-02**
- (52) **U.S. Cl.**  
USPC ..... **D24/155**
- (58) **Field of Classification Search**  
USPC ..... D24/156–157  
CPC ..... A61F 2/0063  
See application file for complete search history.

(56) **References Cited**

**U.S. PATENT DOCUMENTS**

8,579,922	B2	11/2013	Glick et al.	
2005/0288691	A1	12/2005	Leiboff	
2008/0033461	A1*	2/2008	Koeckerling	..... A61F 2/0063 606/151
2008/0167729	A1*	7/2008	Nelson	..... A61F 2/0063 623/23.72
2013/0218125	A1	8/2013	Stopek et al.	
2013/0267970	A1*	10/2013	Cardinale	..... A61F 2/0063 606/151
2013/0267971	A1*	10/2013	Liu	..... A61F 2/0063 606/151

2013/0317286	A1	11/2013	Bluecher et al.	
2013/0317527	A1*	11/2013	Jacinto	..... A61B 17/0057 606/151
2014/0088348	A1*	3/2014	DeMarchi	..... A61F 2/0045 600/37
2014/0088619	A1*	3/2014	Cardinale	..... A61B 17/0057 606/151
2014/0257348	A1*	9/2014	Priewe	..... A61F 2/0063 606/151
2015/0057762	A1*	2/2015	Harms	..... A61L 31/148 623/23.74

\* cited by examiner

*Primary Examiner* — Charles Hanson

(74) *Attorney, Agent, or Firm* — E. Richard Skula

(57) **CLAIM**

The ornamental design for a surgical mesh implant having a floating thread grid marker, as shown and described.

**DESCRIPTION**

FIG. 1 is a perspective view of a first embodiment of a surgical mesh implant having a floating thread grid marker showing our new design;  
 FIG. 2 is a top view thereof;  
 FIG. 3 is a side view thereof;  
 FIG. 4 is a bottom view thereof;  
 FIG. 5 is a perspective view of a second embodiment thereof;  
 FIG. 6 is a top view thereof;  
 FIG. 7 is a side view thereof;  
 FIG. 8 is a bottom view thereof;  
 FIG. 9 is a perspective view of a third embodiment thereof;  
 FIG. 10 is a top view thereof;  
 FIG. 11 is a side view thereof; and,  
 FIG. 12 is a bottom view thereof.

**1 Claim, 12 Drawing Sheets**

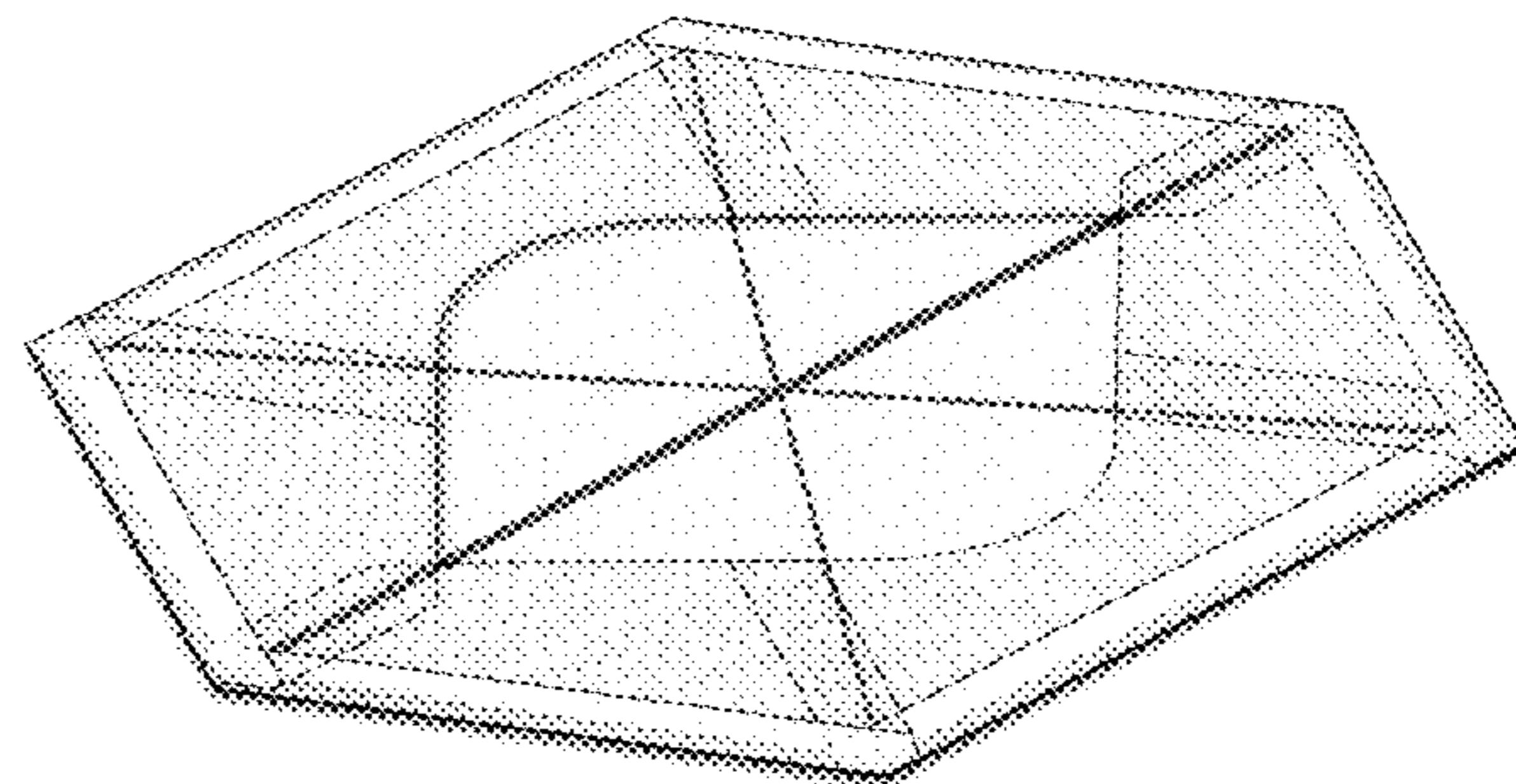
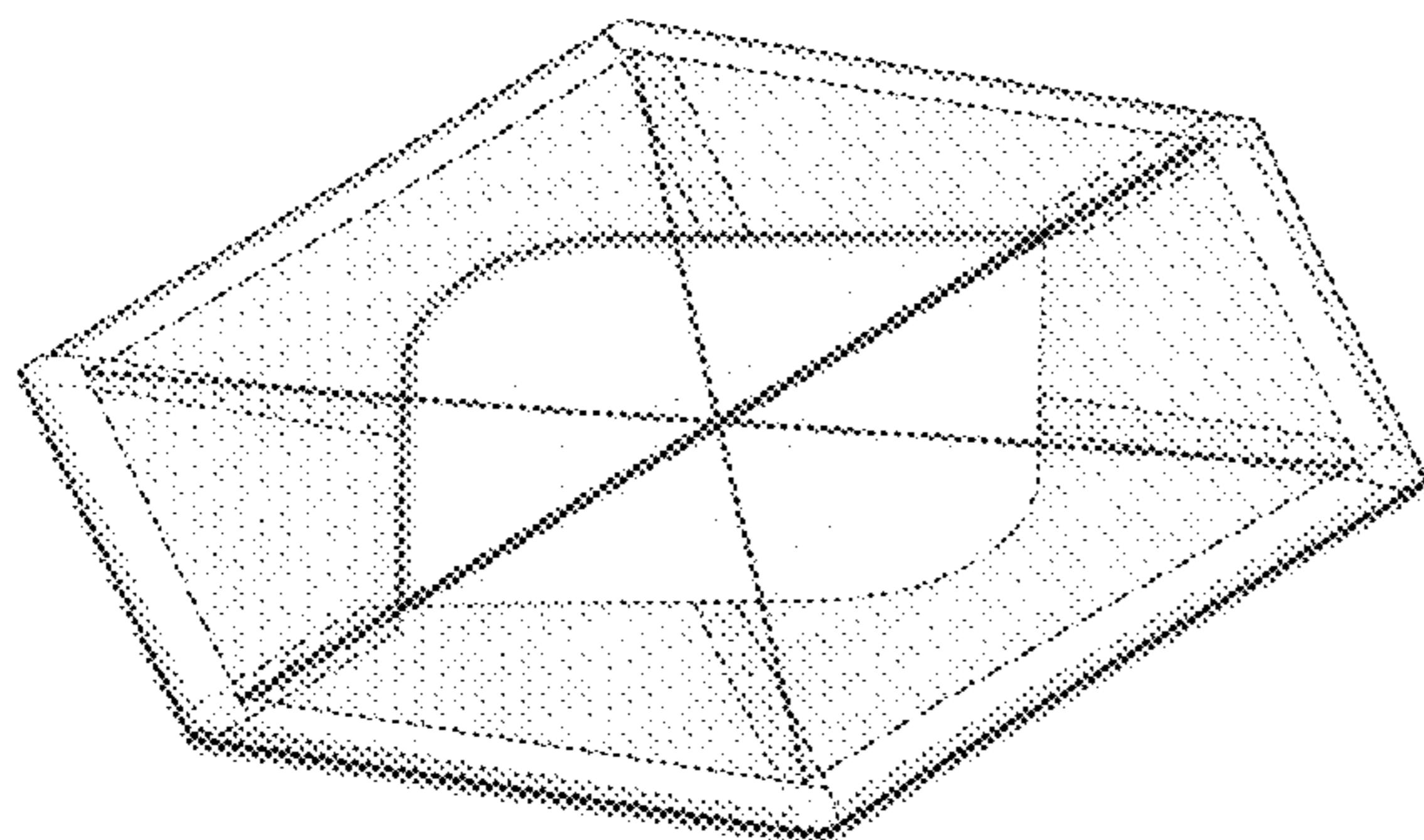


FIG. 1

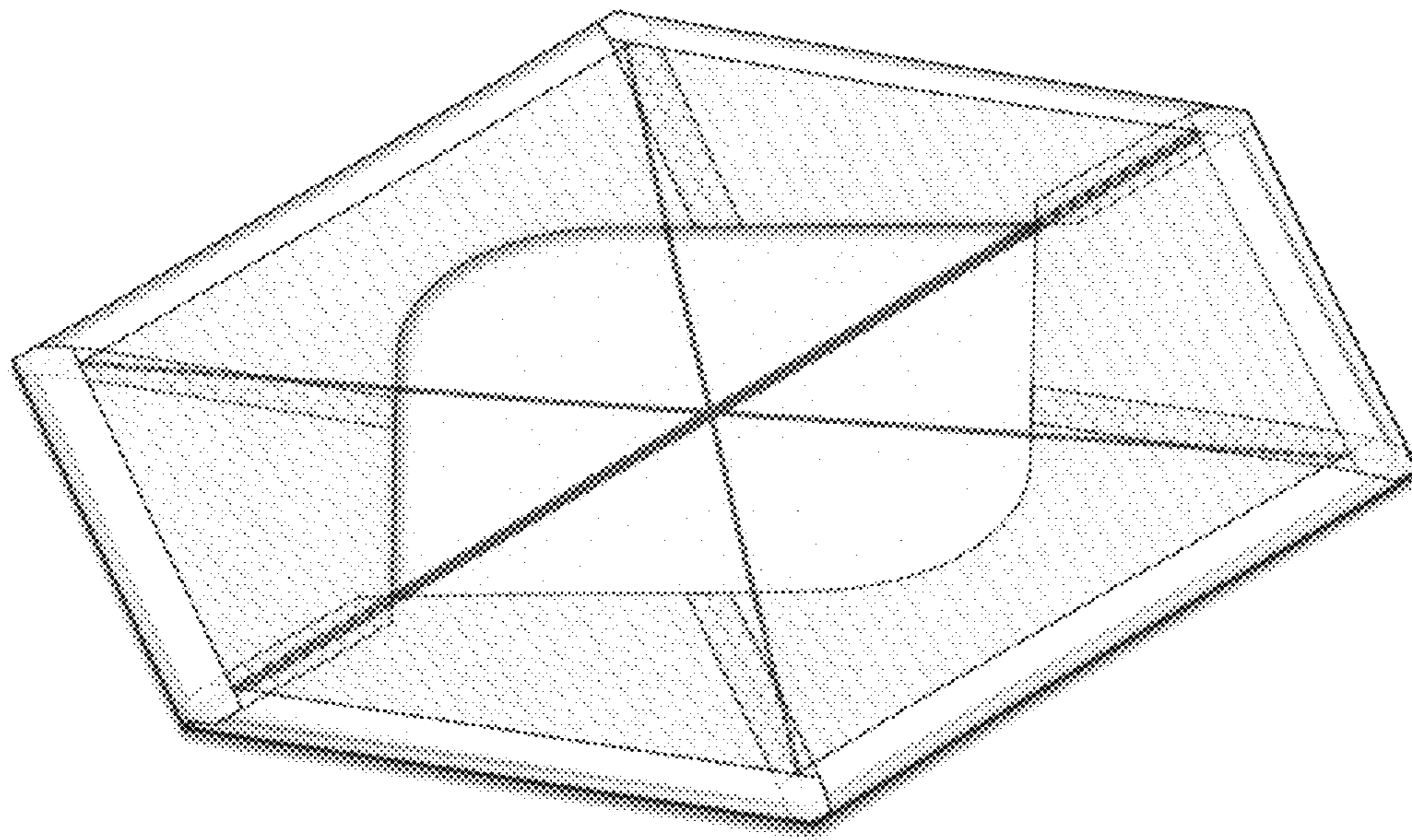


FIG. 2

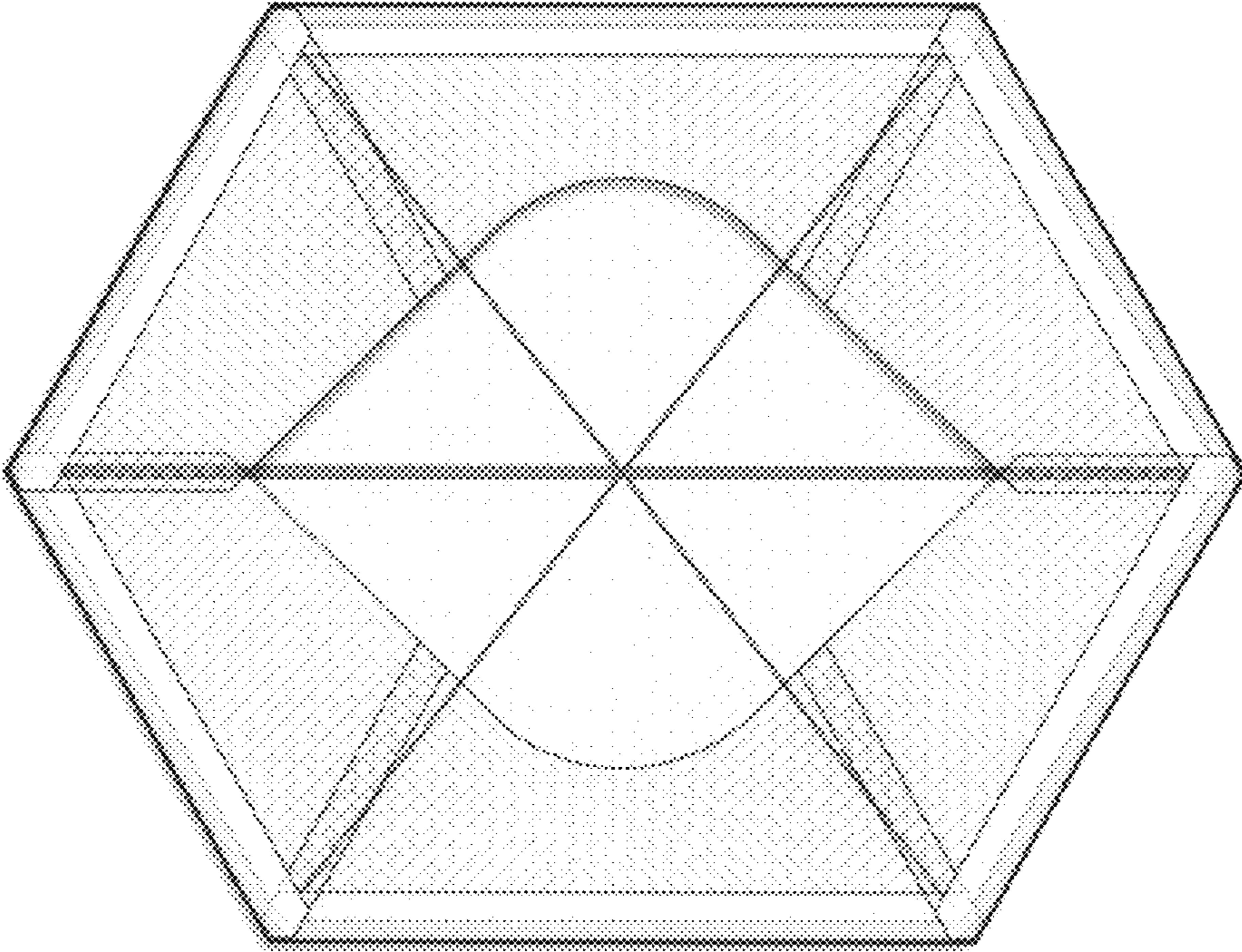


FIG. 3

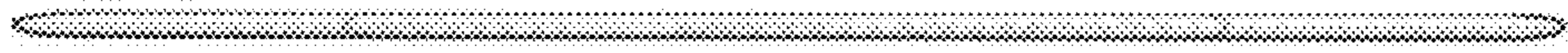


FIG. 4

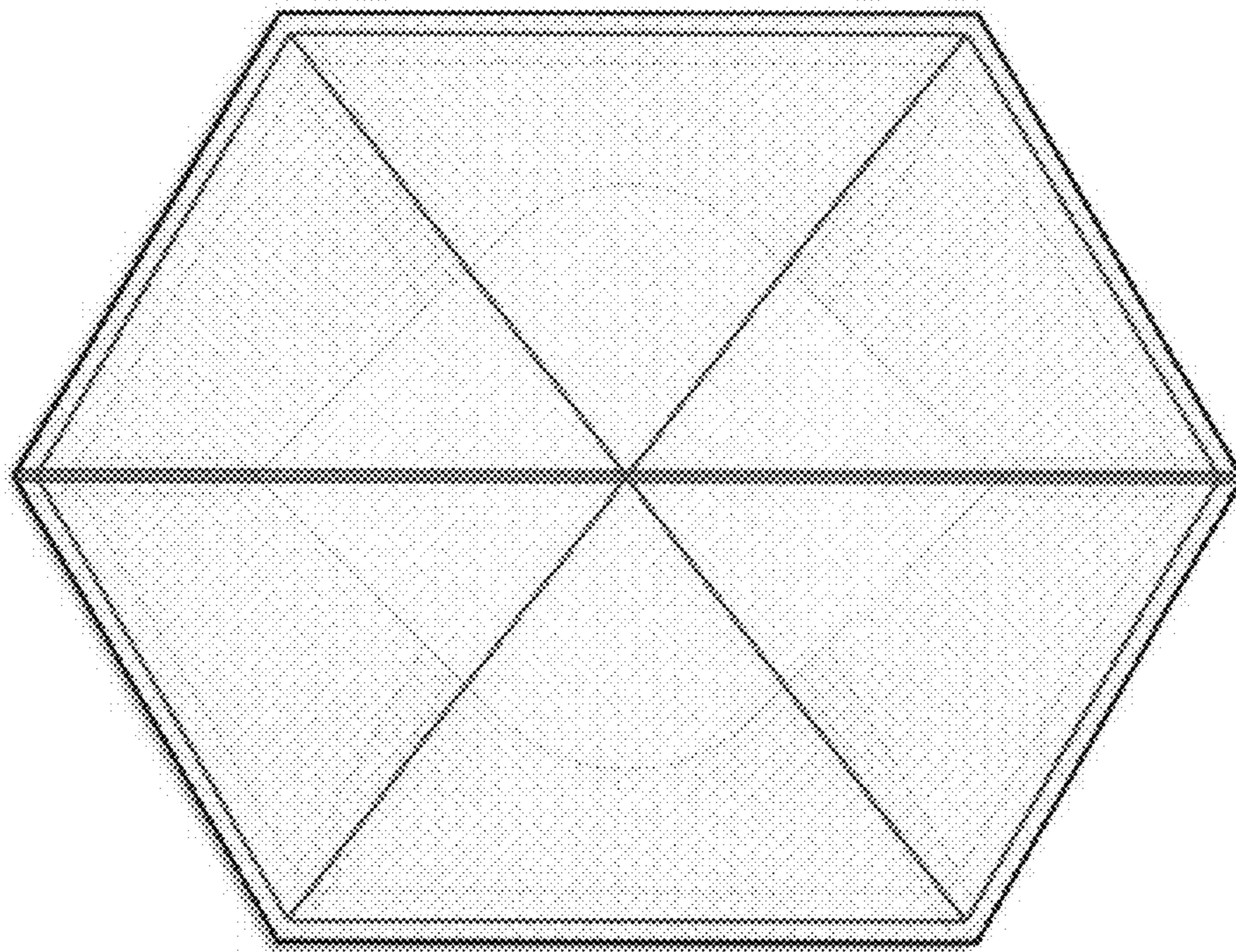


FIG. 5

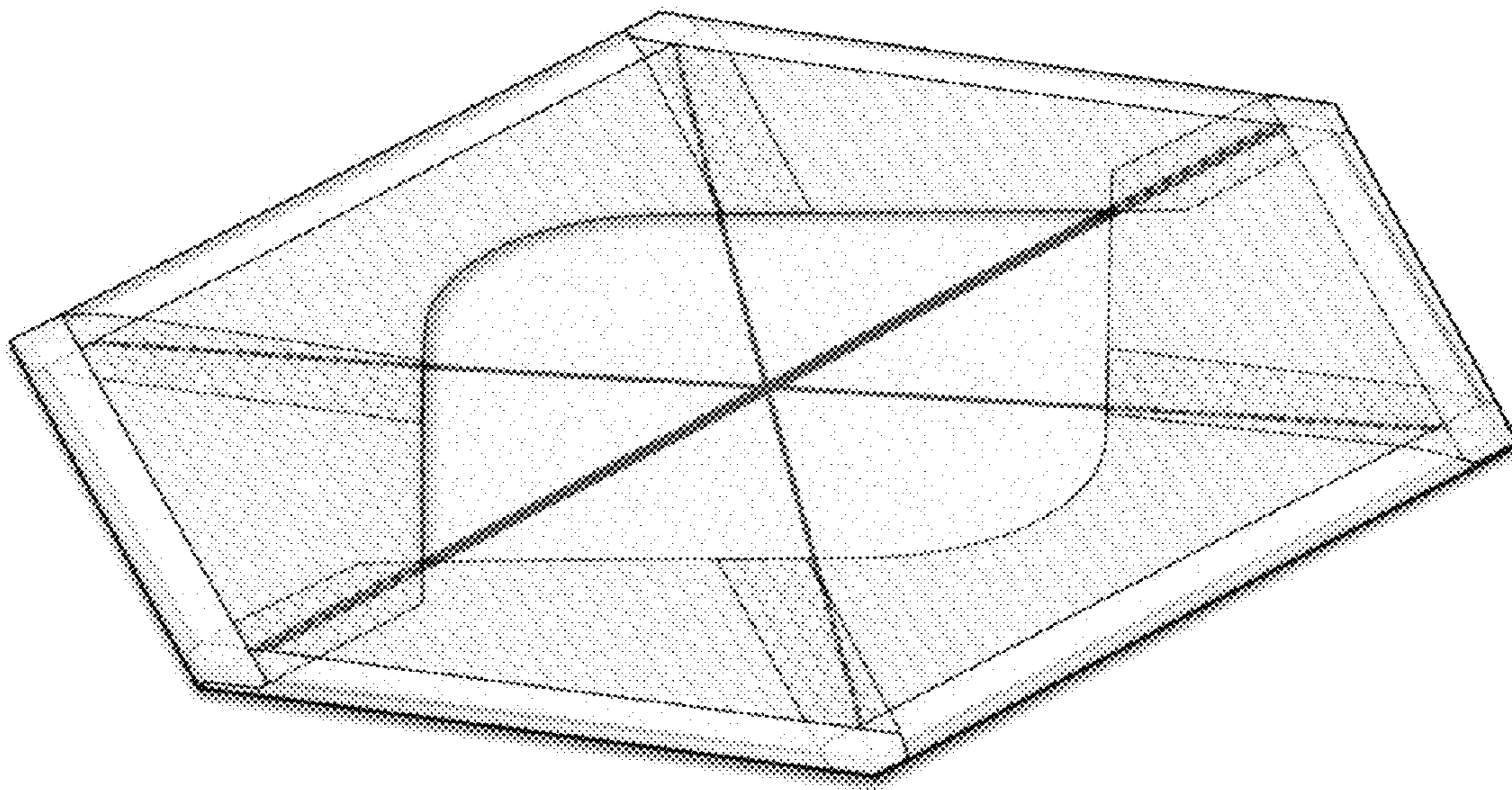


FIG. 6

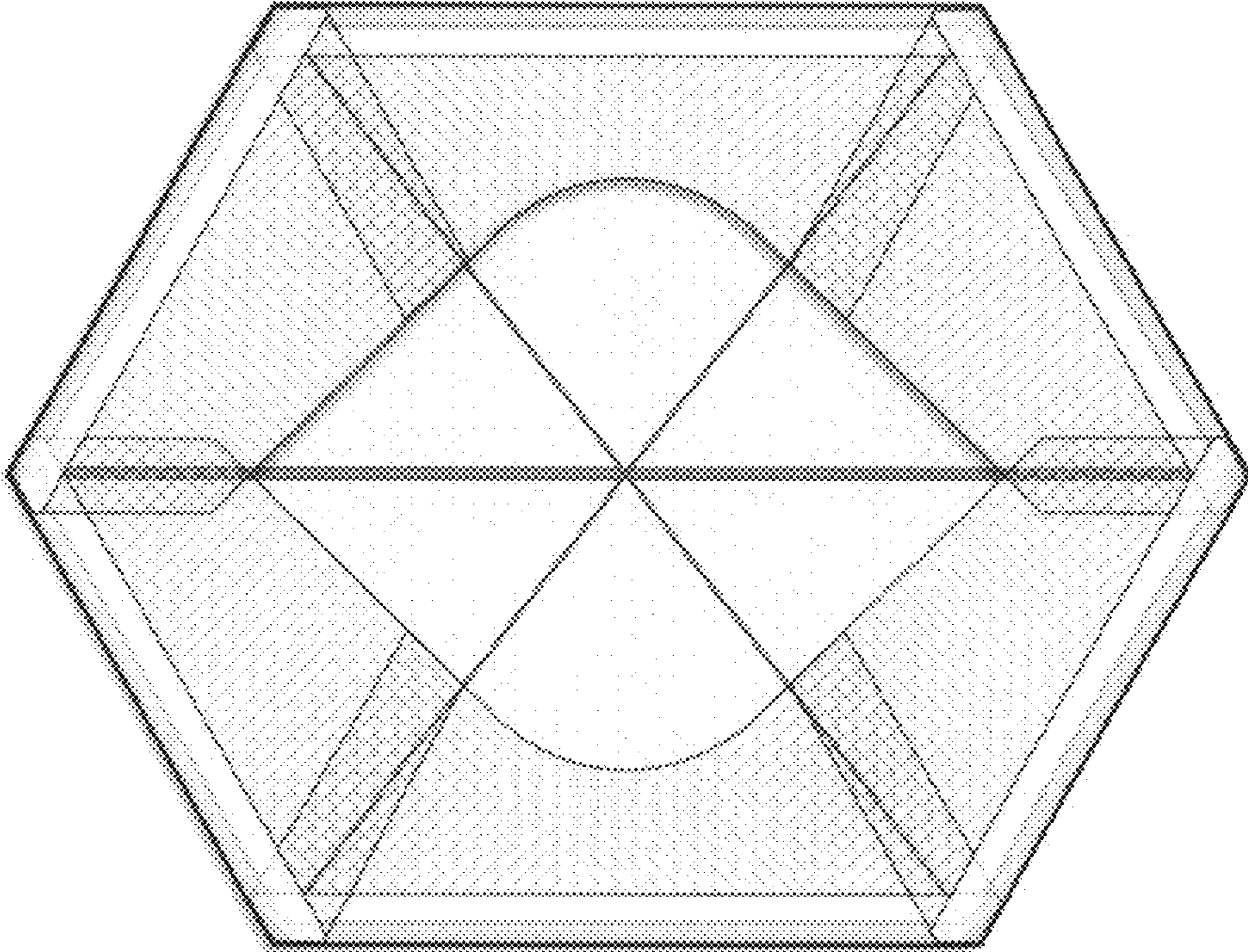


FIG. 7





FIG. 8

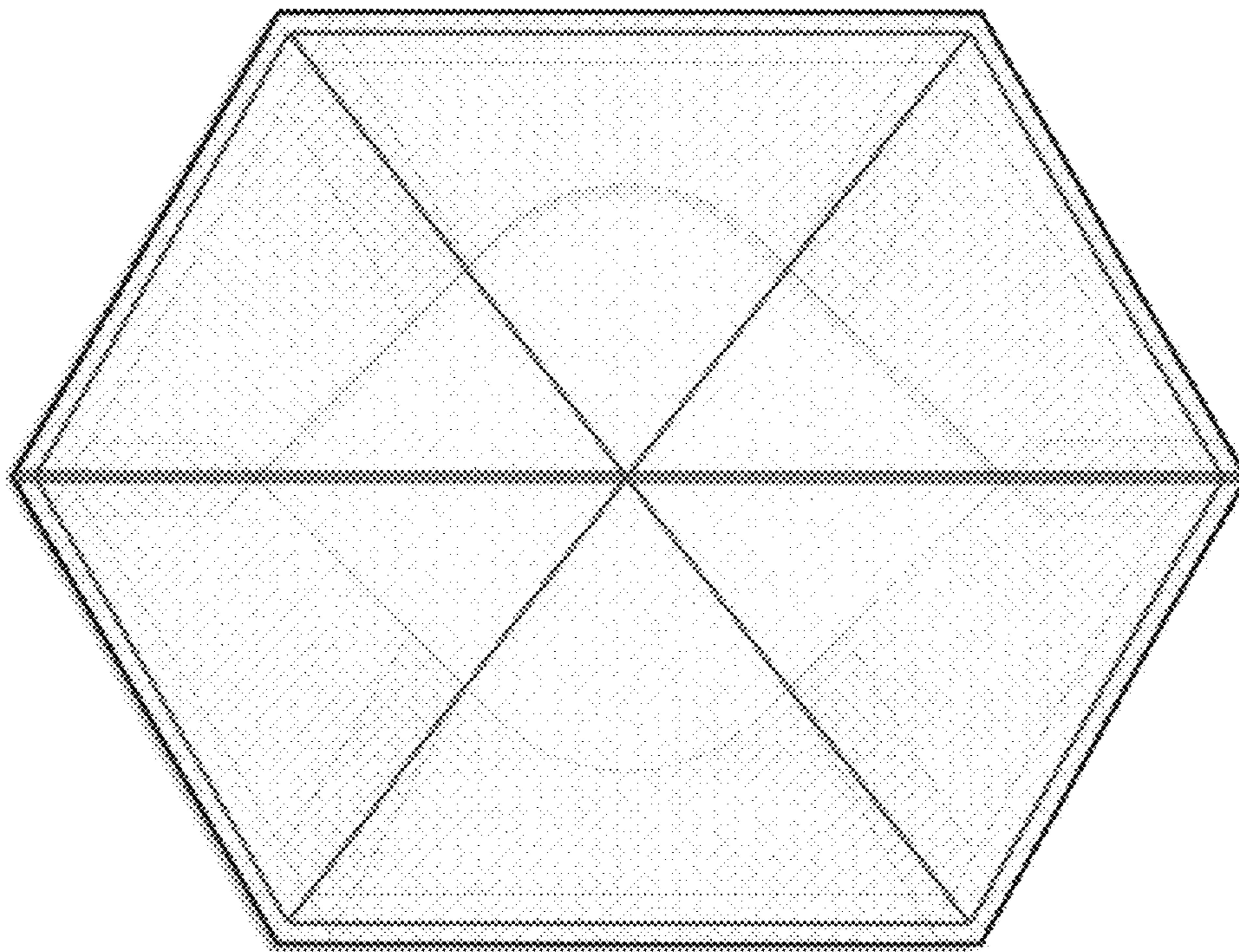


FIG. 9

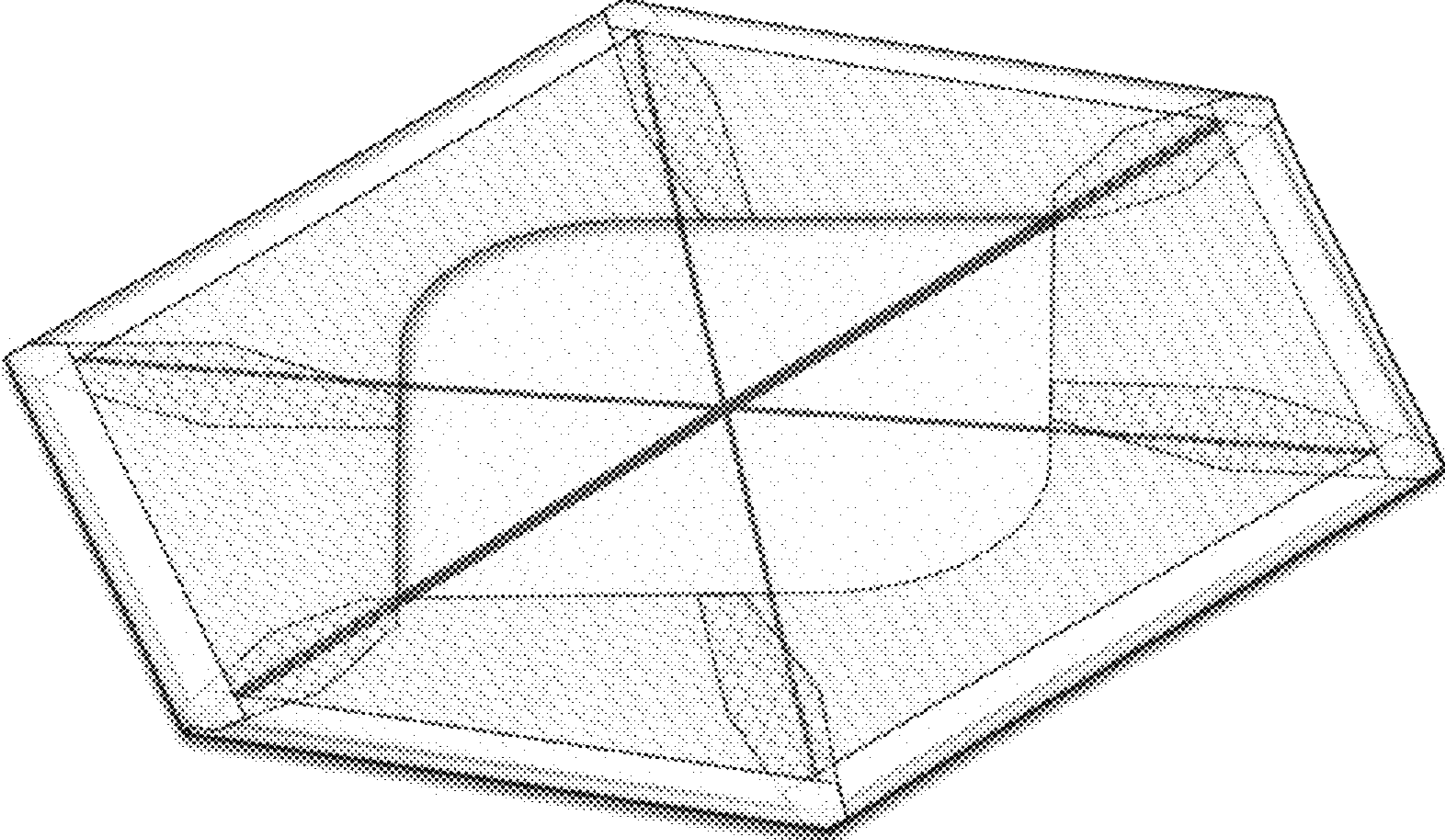


FIG. 10

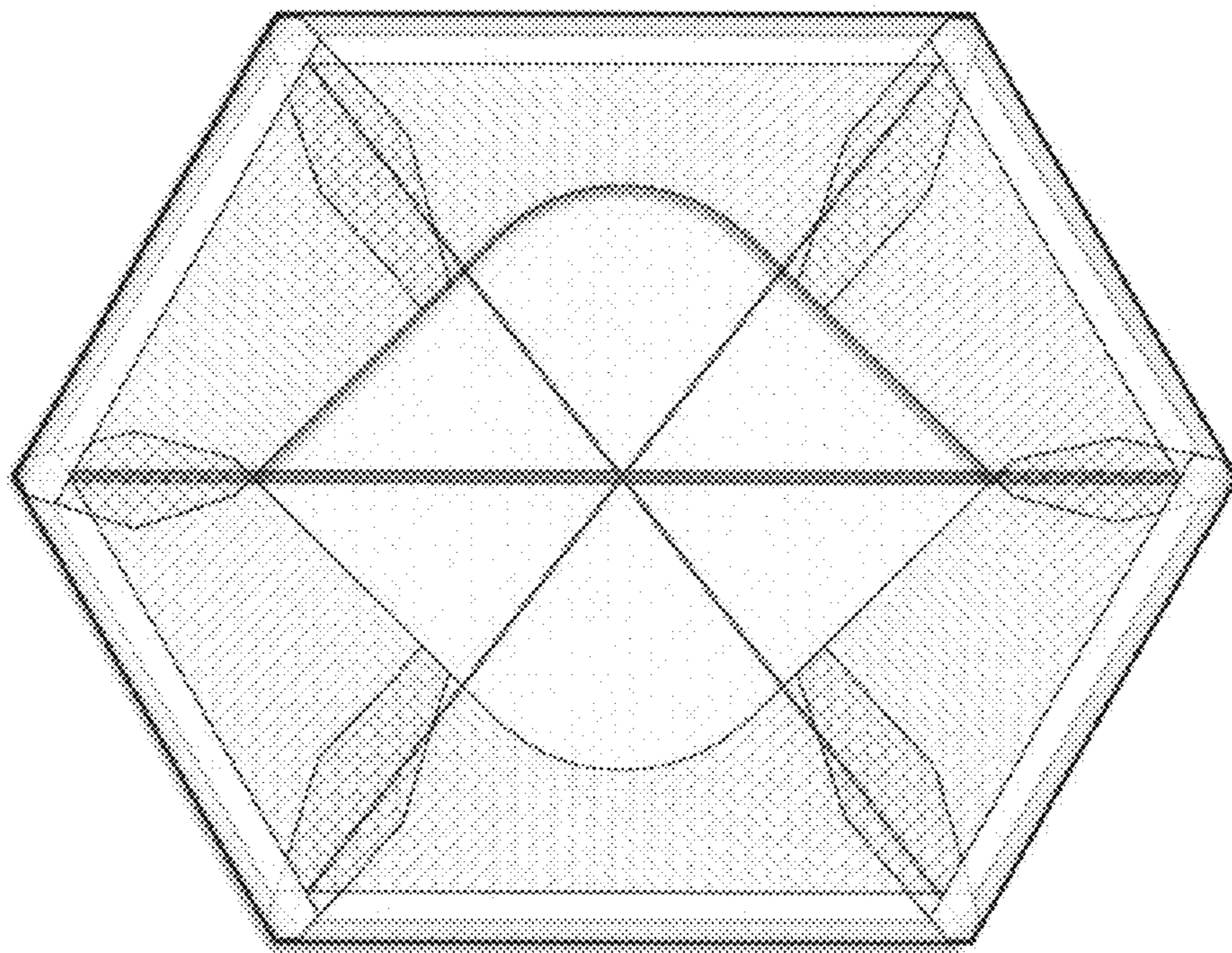


FIG. 11

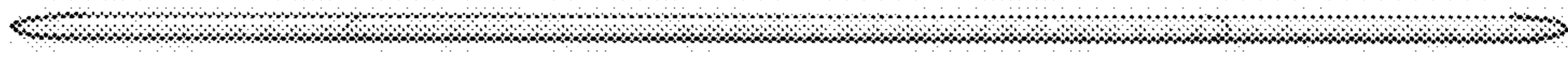


FIG. 12

