

(56)

References Cited

U.S. PATENT DOCUMENTS

5,192,327 A	3/1993	Brantigan	5,755,797 A	5/1998	Baumgartner
5,217,497 A	6/1993	Mehdian	5,766,252 A	6/1998	Henry
5,269,785 A	12/1993	Bonutti	5,772,661 A	6/1998	Michelson
5,284,153 A	2/1994	Raymond	5,775,331 A	7/1998	Raymond
5,290,494 A	3/1994	Coombes	5,779,642 A	7/1998	Nightengale
5,300,076 A	4/1994	Lerliche	5,782,830 A	7/1998	Farris
5,304,210 A	4/1994	Crook	5,782,919 A	7/1998	Zdeblick
5,306,307 A	4/1994	Senter	5,785,710 A	7/1998	Michelson
5,306,309 A	4/1994	Wagner	5,797,909 A	8/1998	Michelson
5,322,505 A	6/1994	Krause	5,800,549 A	9/1998	Bao
5,334,205 A	8/1994	Cain	5,800,550 A	9/1998	Sertich
5,336,223 A	8/1994	Rogers	5,814,084 A	9/1998	Grivas
5,364,400 A	11/1994	Rego	5,851,208 A	12/1998	Trott
5,395,372 A	3/1995	Holt	5,860,973 A	1/1999	Michelson
5,397,363 A	3/1995	Gelbard	5,865,845 A	2/1999	Thalgott
5,397,364 A	3/1995	Kozak	5,865,848 A	2/1999	Baker
5,405,391 A	4/1995	Hednerson	5,885,299 A	3/1999	Winslow
5,413,602 A	5/1995	Metz-Stavenhagen	5,888,219 A	3/1999	Bonutti
5,425,772 A	6/1995	Brantigan	5,888,224 A	3/1999	Beckers
5,431,658 A	7/1995	Moskovich	5,893,890 A	4/1999	Pisharodi
5,443,514 A	8/1995	Steffee	5,904,719 A	5/1999	Errico
5,443,515 A	8/1995	Cohen	5,910,315 A	6/1999	Stevenson
5,445,639 A	8/1995	Kuslich	5,954,769 A	9/1999	Rosenlicht
5,454,811 A	10/1995	Huebner	5,968,098 A	10/1999	Winslow
5,458,638 A	10/1995	Kuslich	5,993,474 A	11/1999	Ouchi
5,484,403 A	1/1996	Yoakum	6,003,426 A	12/1999	Kobayashi
5,484,437 A	1/1996	Michelson	6,004,326 A	12/1999	Castro
5,489,308 A	2/1996	Kuslich	6,008,433 A	12/1999	Stone
5,514,180 A	5/1996	Heggeness	6,015,436 A	1/2000	Schonhoffer
5,522,879 A	6/1996	Scopelianos	6,033,405 A	3/2000	Winslow
5,522,899 A	6/1996	Michelson	6,039,761 A	3/2000	Li
5,524,624 A	6/1996	Tepper	6,042,582 A	3/2000	Ray
5,527,312 A	6/1996	Ray	6,045,580 A	4/2000	Scarborough
5,534,030 A	7/1996	Navarro	6,048,342 A	4/2000	Zucherman
5,540,688 A	7/1996	Navas	6,059,829 A	5/2000	Schläpfer
5,545,222 A	8/1996	Bonutti	6,063,088 A	5/2000	Winslow
5,562,736 A	10/1996	Ray	6,083,225 A	7/2000	Winslow
5,565,005 A	10/1996	Erickson	6,096,080 A	8/2000	Nicholson
5,571,190 A	11/1996	Ulrich	6,102,948 A	8/2000	Brosnahan
5,571,192 A	11/1996	Schonhoffer	6,120,503 A	9/2000	Michelson
5,593,409 A	1/1997	Michelson	6,120,506 A	9/2000	Kohrs
5,609,636 A	3/1997	Kohrs	6,132,472 A	10/2000	Bonutti
5,611,800 A	3/1997	Davis	6,143,033 A	11/2000	Paul
5,611,810 A	3/1997	Arnold	6,159,211 A	12/2000	Boriani
5,632,747 A	5/1997	Scarborough	6,159,215 A	12/2000	Camino
5,645,598 A	7/1997	Brosnahan	6,193,756 B1	2/2001	Studer
5,653,761 A	8/1997	Pisharodi	6,200,347 B1	3/2001	Anderson
5,653,762 A	8/1997	Pisharodi	6,224,607 B1	5/2001	Michelson
5,658,336 A	8/1997	Pisharodi	6,224,631 B1	5/2001	Kohrs
5,658,337 A	8/1997	Kohrs	6,241,769 B1	6/2001	Nicholson
5,662,710 A	9/1997	Bonutti	6,241,771 B1	6/2001	Gresser
5,665,122 A	9/1997	Kambin	6,251,140 B1	6/2001	Marino
5,669,909 A	9/1997	Zdeblick	6,258,125 B1	7/2001	Paul
5,676,703 A	10/1997	Gelbard	6,277,149 B1	8/2001	Boyle
5,683,394 A	11/1997	Rinner	6,319,257 B1	11/2001	Carignan
5,683,400 A	11/1997	McGuire	6,371,989 B1	4/2002	Chauvin
5,683,464 A	11/1997	Wagner	6,383,221 B1	5/2002	Scarborough
5,690,629 A	11/1997	Asher	6,409,766 B1	6/2002	Brett
5,700,264 A	12/1997	Zucherman	6,432,140 B1	8/2002	Lin
5,700,291 A	12/1997	Kuslich	6,440,142 B1	8/2002	Ralph
5,700,292 A	12/1997	Margulies	6,442,814 B1	9/2002	Landry
5,702,449 A	12/1997	McKay	6,447,547 B1	9/2002	Michelson
5,702,451 A	12/1997	Biedermann	6,454,806 B1	9/2002	Cohen
5,702,453 A	12/1997	Rabbe	6,468,311 B2	10/2002	Boyd
5,702,454 A	12/1997	Baumgartner	6,491,724 B1	12/2002	Ferree
5,702,455 A	12/1997	Saggar	6,527,773 B1	3/2003	Lin
5,703,451 A	12/1997	Yamamichi	D472,634 S	4/2003	Anderson
5,707,373 A	1/1998	Sevrain	D473,650 S	4/2003	Anderson
5,711,957 A	1/1998	Patat	6,547,823 B2	4/2003	Scarborough
5,716,415 A	2/1998	Steffee	6,595,998 B2	7/2003	Johnson
5,720,748 A	2/1998	Kuslich	6,626,905 B1	9/2003	Schmiel
5,720,751 A	2/1998	Jackson	6,635,086 B2	10/2003	Lin
5,728,159 A	3/1998	Stroever	6,648,895 B2	11/2003	Burkus
5,741,253 A	4/1998	Michelson	6,672,019 B1	1/2004	Wenz
5,741,261 A	4/1998	Moskovitz	6,676,703 B2	1/2004	Biscup
			6,743,255 B2	6/2004	Ferree
			6,746,484 B1	6/2004	Liu
			6,755,841 B2	6/2004	Fraser
			D493,533 S	7/2004	Blain

(56)

References Cited

U.S. PATENT DOCUMENTS

6,824,564	B2	11/2004	Crozet				
D503,801	S	4/2005	Jackson				
6,942,698	B1	9/2005	Jackson				
6,964,687	B1	11/2005	Bernard				
6,979,353	B2	12/2005	Bresina				
6,984,245	B2	1/2006	McGahan				
6,986,788	B2	1/2006	Paul				
6,989,031	B2	1/2006	Michelson				
D530,423	S	10/2006	Miles				
D594,986	S *	6/2009	Miles et al.	D24/155			
D599,019	S *	8/2009	Pimenta et al.	D24/155			
D620,113	S	7/2010	Courtney				
D621,509	S *	8/2010	Lovell	D24/155			
D625,820	S *	10/2010	Calverley et al.	D24/155			
D627,467	S	11/2010	Pannu				
D629,104	S *	12/2010	Calverley et al.	D24/155			
D629,108	S	12/2010	Richter				
D630,749	S	1/2011	Tornier				
D671,645	S *	11/2012	Curran et al.	D24/155			
D674,092	S *	1/2013	Lovell	D24/155			
D675,320	S	1/2013	Oi				
D696,402	S	12/2013	Oi				
D708,747	S	7/2014	Curran				
D711,537	S	8/2014	Pimenta				
D721,808	S	1/2015	Oi				
2002/0058950	A1	5/2002	Winterbottom				
2003/0105528	A1	6/2003	Shimp				
2003/0139812	A1	7/2003	Garcia				

* cited by examiner

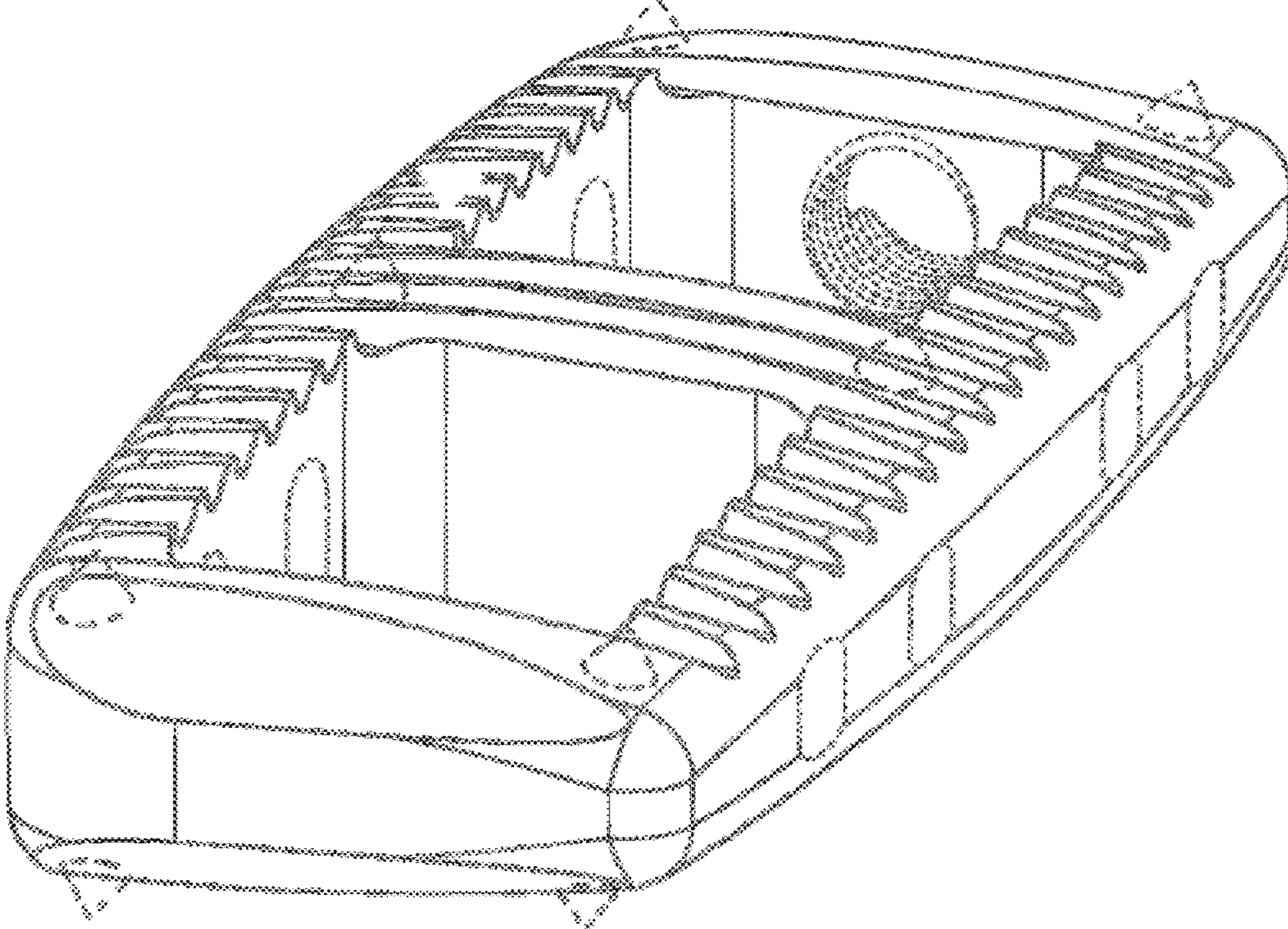


FIG. 1

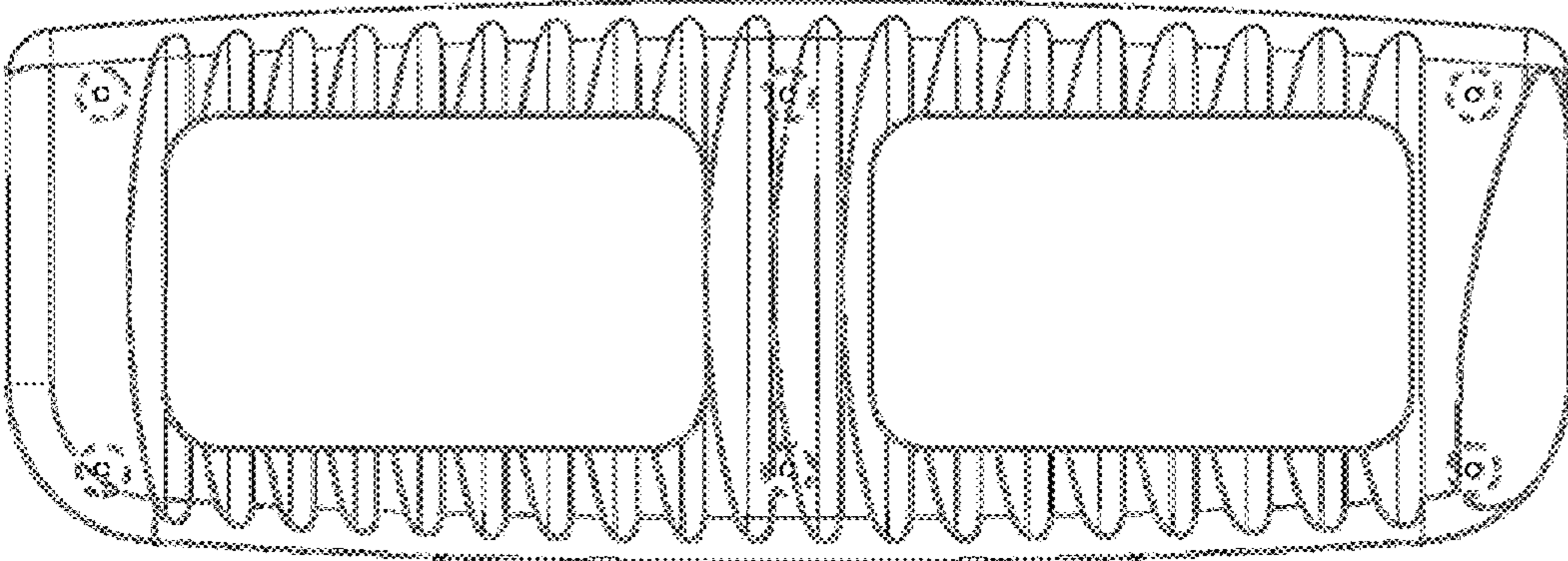


FIG. 2

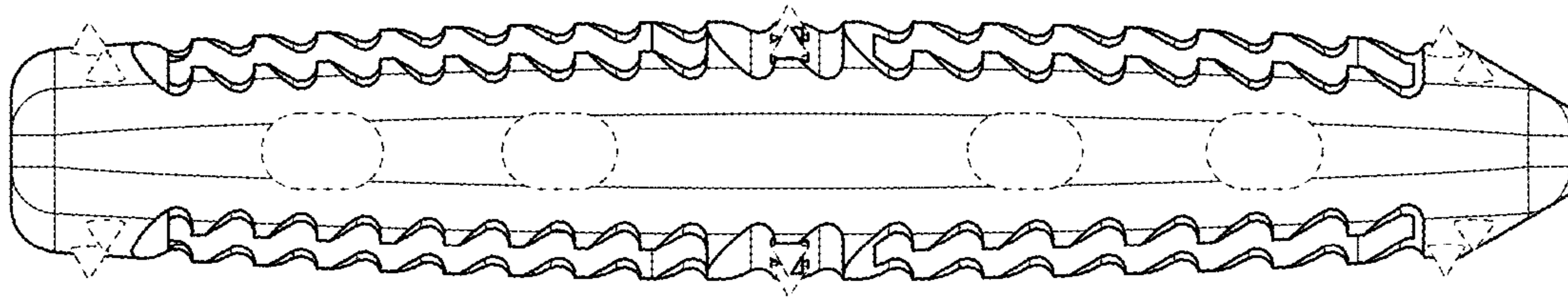


FIG. 3

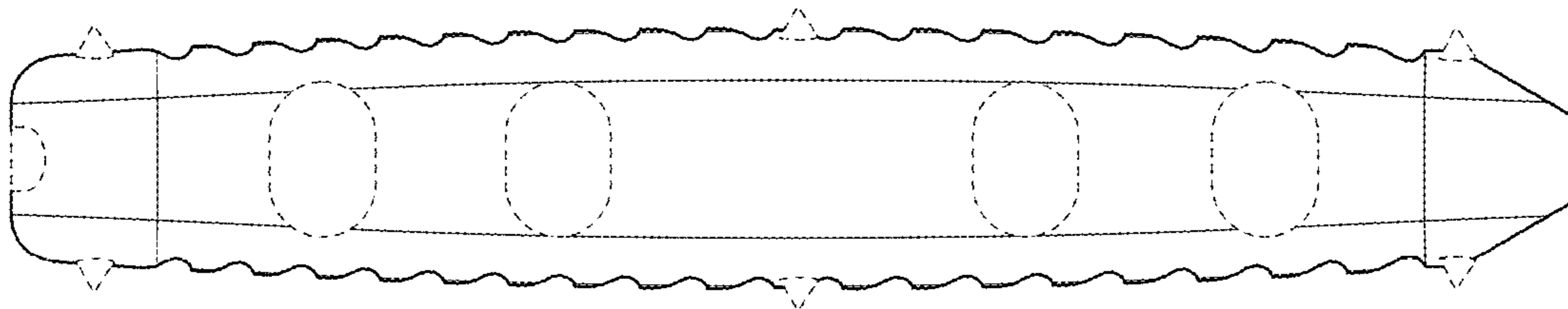


FIG. 4

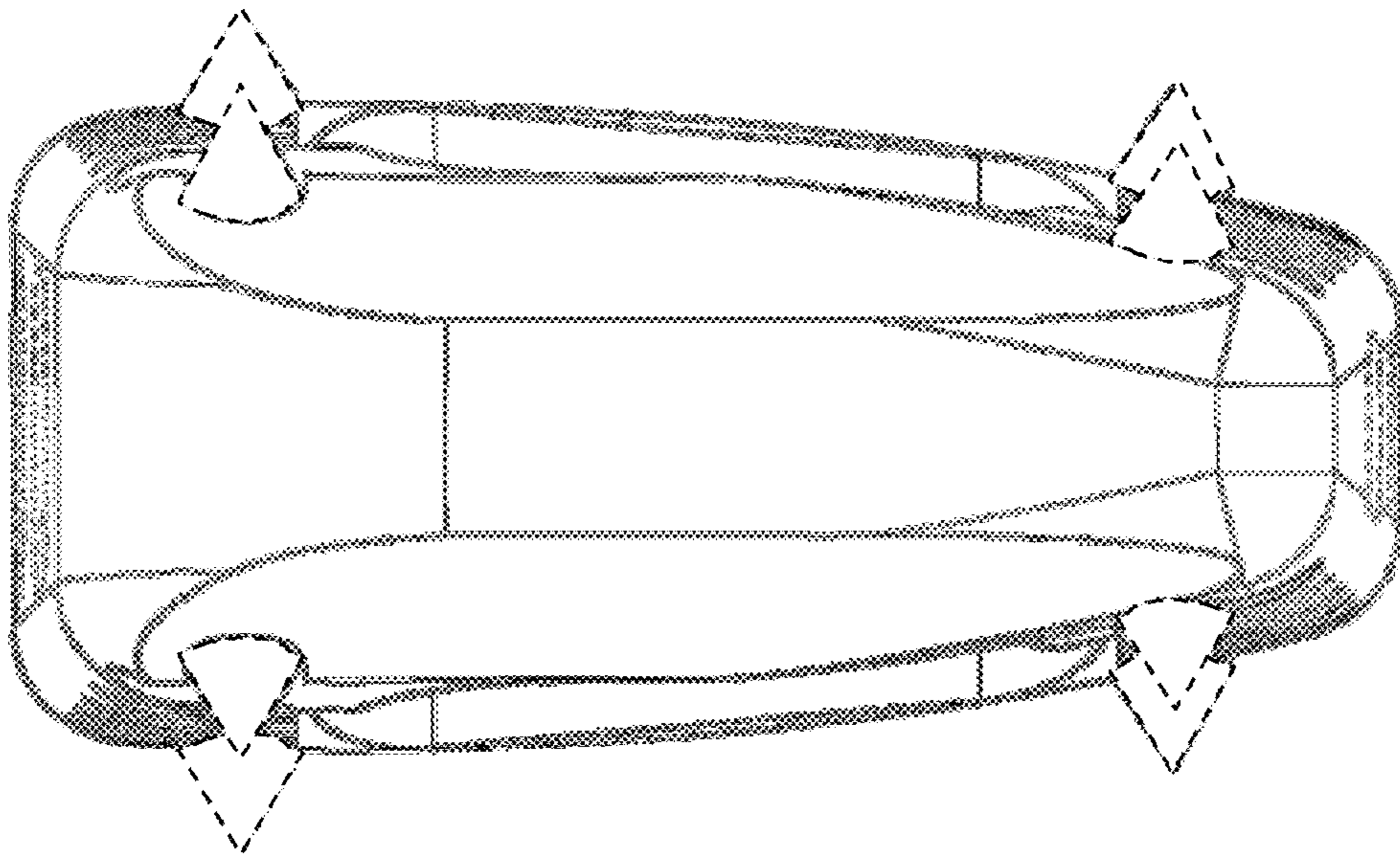


FIG. 5

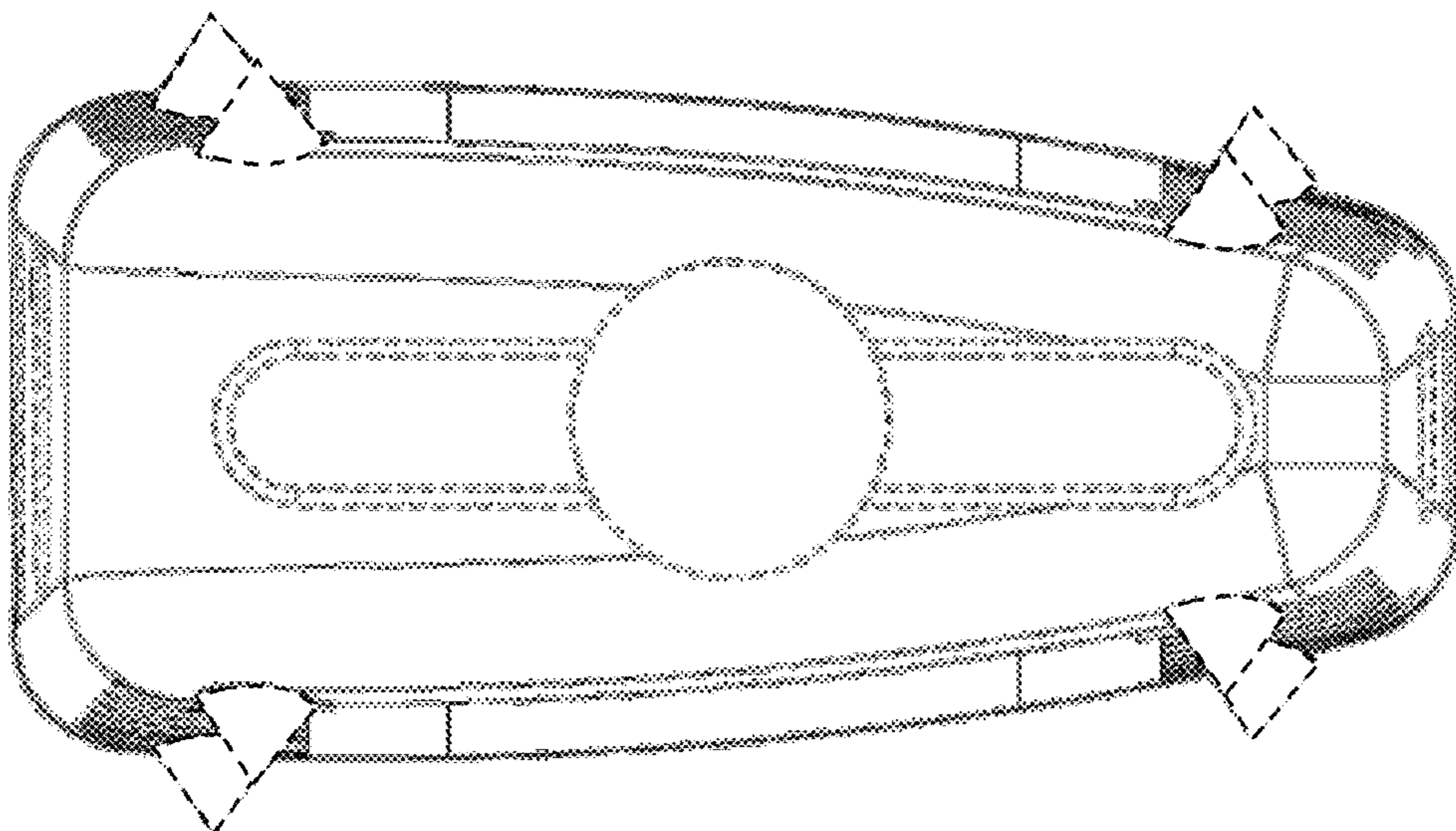


FIG. 6