



US00D770044S

(12) **United States Design Patent** (10) **Patent No.:** **US D770,044 S**  
**Fiksen et al.** (45) **Date of Patent:** **\*\* Oct. 25, 2016**

- (54) **ELECTROSURGICAL DEVICE**
- (71) Applicant: **Gyrus ACMI, Inc.**, Southborough, MA (US)
- (72) Inventors: **Christian J. Fiksen**, Maple Grove, MN (US); **Ryan J. Windgassen**, Nowthen, MN (US); **Friedemann Schreiber**, Hamburg (DE); **Thomas Marzke**, Hamburg (DE)
- (73) Assignee: **Gyrus ACMI, INC.**, Southborough, MA (US)
- (\*\*) Term: **15 Years**
- (21) Appl. No.: **29/541,118**
- (22) Filed: **Sep. 30, 2015**

6,808,525	B2	10/2004	Latterell	
D521,641	S *	5/2006	Reschke	D24/144
7,083,613	B2	8/2006	Treat	
D535,396	S *	1/2007	Reschke	D24/144
7,244,257	B2	7/2007	Podhajsky	
D584,815	S *	1/2009	Goodman	D24/115
7,503,917	B2	3/2009	Sartor	
7,931,668	B2	4/2011	Sloat	
D727,272	S *	4/2015	Johnson	D13/174
D753,301	S *	4/2016	Fiksen	D24/144
2004/0010233	A1 *	1/2004	Hjertman	A61M 5/3129 604/187
2005/0113825	A1	5/2005	Cosmescu	
2011/0054462	A1	3/2011	Ellman	
2011/0112530	A1	5/2011	Keller	
2013/0178852	A1	7/2013	Allen, IV	
2014/0276795	A1 *	9/2014	Batchelor	A61B 18/1233 606/42
2014/0276800	A1 *	9/2014	Batchelor	A61B 18/1442 606/42
2016/0051314	A1 *	2/2016	Batchelor	A61B 17/2812 606/45

\* cited by examiner

**Related U.S. Application Data**

- (62) Division of application No. 29/493,991, filed on Jun. 16, 2014, now Pat. No. Des. 753,301.
- (51) **LOC (10) Cl.** ..... **24-02**
- (52) **U.S. Cl.**  
USPC ..... **D24/144**
- (58) **Field of Classification Search**  
USPC ..... D24/144, 133, 147; 606/1, 40, 42, 43, 606/45, 190  
CPC ..... A61B 18/1402; A61B 2018/00601; A61B 2018/00589; A61B 18/14  
See application file for complete search history.

*Primary Examiner* — Wan Laymon  
*Assistant Examiner* — Mark Booker  
 (74) *Attorney, Agent, or Firm* — Vivacqua Law, PLLC; Eric Kurtycz

(57) **CLAIM**

The ornamental design for an electrosurgical device, as shown and described.

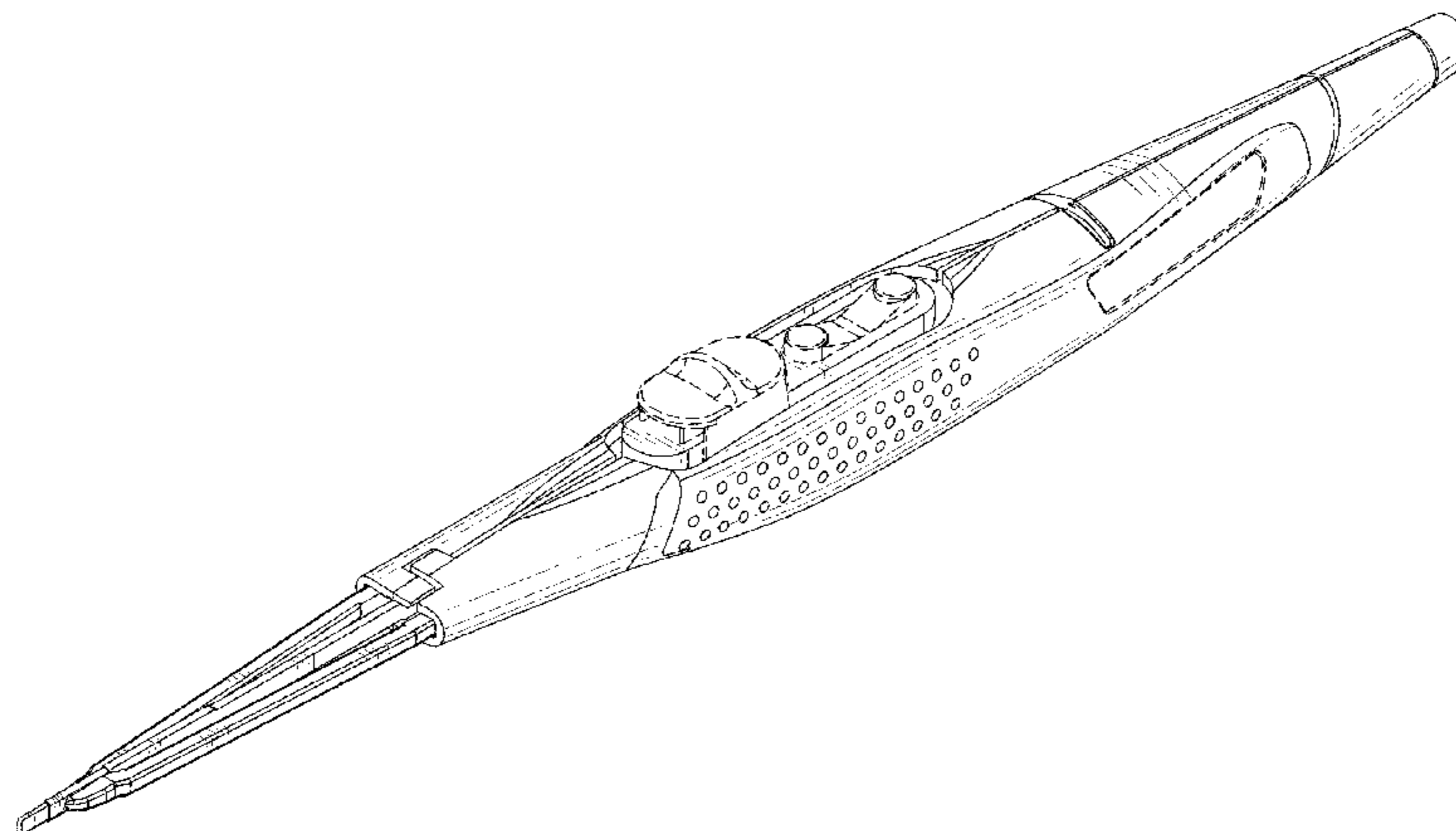
**DESCRIPTION**

FIG. 1 is a front side perspective view of the electrosurgical device, showing my new design;  
 FIG. 2 is a top view thereof;  
 FIG. 3 is a bottom view thereof;  
 FIG. 4 is a front view thereof;  
 FIG. 5 is a rear view thereof;  
 FIG. 6 is a left side view thereof; and,  
 FIG. 7 is a right side view thereof.  
 The broken lines are included for the purpose of illustrating environmental structure and form no part of the claimed design.

**1 Claim, 3 Drawing Sheets**

(56) **References Cited**  
 U.S. PATENT DOCUMENTS

4,686,980	A	8/1987	Williams	
4,784,136	A	11/1988	Klein	
5,116,333	A	5/1992	Beane	
D330,253	S *	10/1992	Burek	D24/144
5,226,904	A	7/1993	Gentelia	
5,626,577	A	5/1997	Harris	
D402,031	S *	12/1998	Roberts	D24/144
6,533,778	B2	3/2003	Herzon	
D493,530	S *	7/2004	Reschke	D24/144



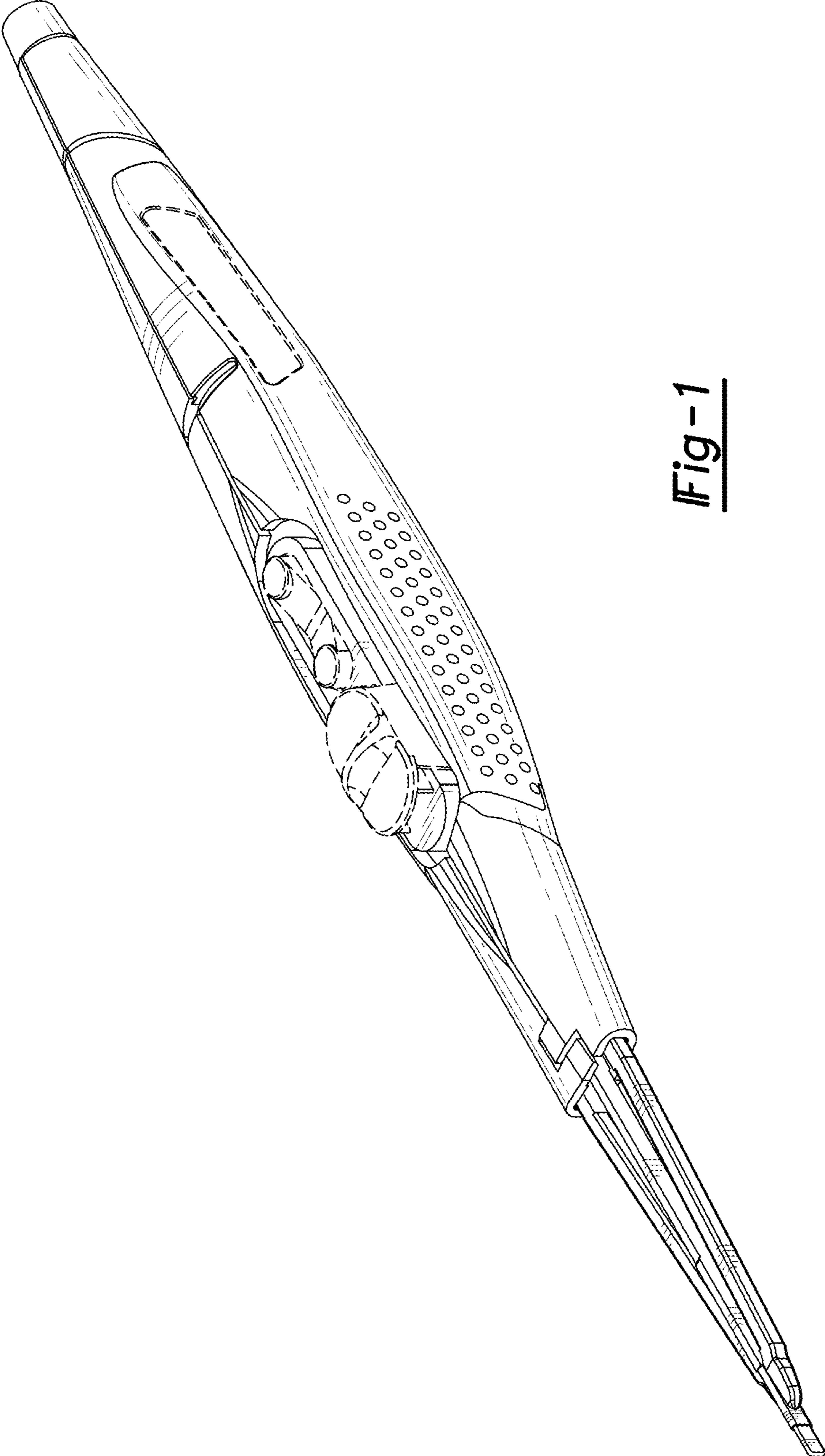


Fig-1

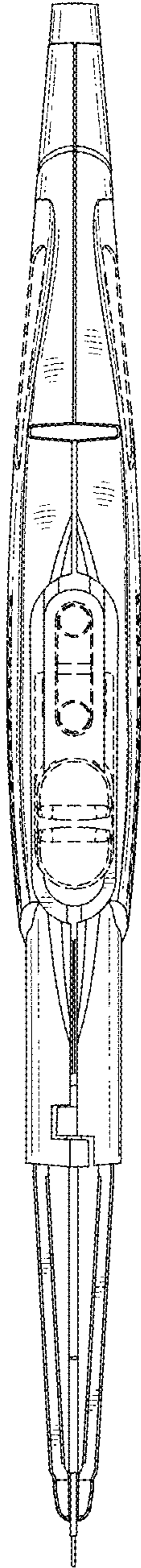


Fig-2

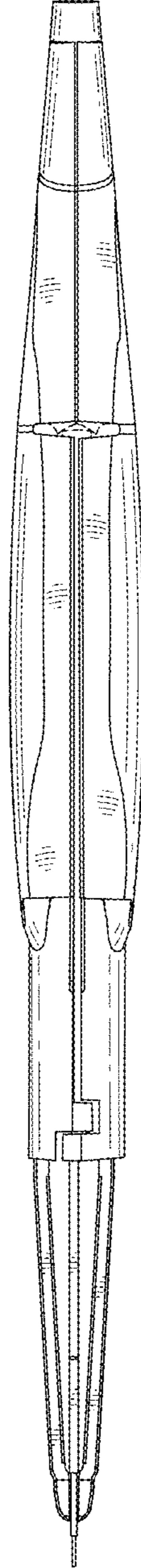


Fig-3

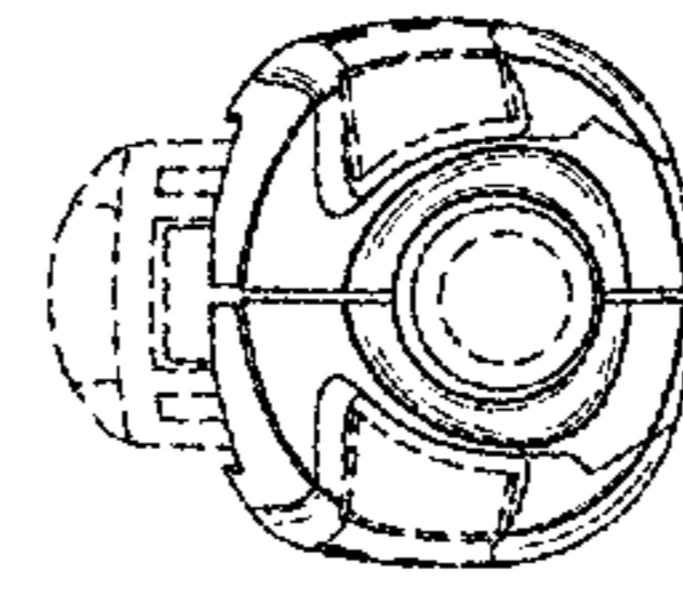


Fig-5

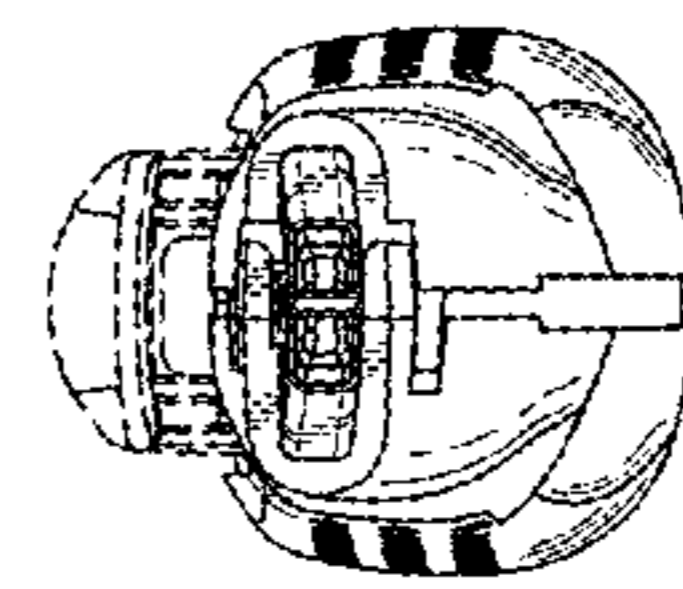


Fig-4

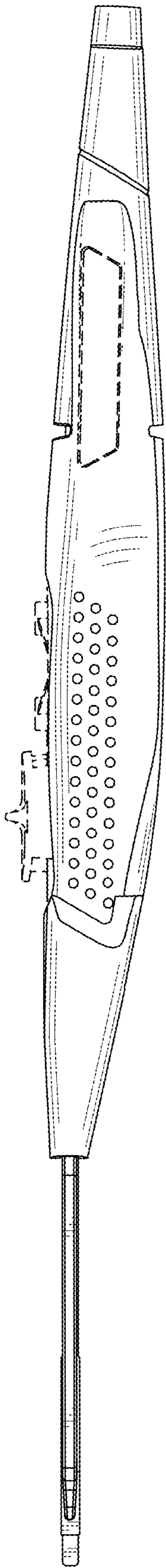


Fig-6

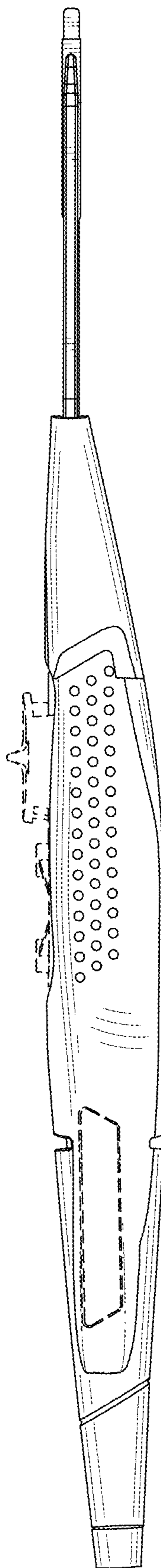


Fig-7