



US00D770037S

(12) **United States Design Patent** (10) **Patent No.:** **US D770,037 S**
Schleicher et al. (45) **Date of Patent:** **** Oct. 25, 2016**

(54) **IMPLANTABLE DRUG-DELIVERY PUMP**

(56) **References Cited**

(71) Applicants: **Brett Daniel Schleicher**, New York, NY (US); **Nenad Jelisavcic**, Altadena, CA (US); **Fukang Jiang**, Pasadena, CA (US); **Rick Purvis**, Pasadena, CA (US); **Greg Harbers**, Valencia, CA (US); **Jason Shih**, Yorba Linda, CA (US); **Sean Caffey**, Pasadena, CA (US); **Mark Humayun**, Glendale, CA (US); **Octavio Cruz-Uribe**, Portland, OR (US); **Evan Tsang**, Glendora, CA (US)

U.S. PATENT DOCUMENTS

D602,586	S	*	10/2009	Foley	D24/113
D612,484	S	*	3/2010	Yodfat	D24/111
D616,980	S	*	6/2010	MacDonald	D24/108
D627,058	S	*	11/2010	Ko	D24/108
D629,503	S	*	12/2010	Caffey	D24/108
D675,728	S	*	2/2013	Tout	D24/108
D687,140	S	*	7/2013	Guarraia	D24/108
D692,997	S	*	11/2013	Lovell	D24/108
D720,449	S	*	12/2014	Galbraith	D24/111
9,039,652	B2	*	5/2015	Degen	A61M 5/14276 604/29
D745,142	S	*	12/2015	O'Connor	D24/111
D745,661	S	*	12/2015	Collins	D24/108
2013/0116666	A1	*	5/2013	Shih	A61M 5/162 604/891.1

(72) Inventors: **Brett Daniel Schleicher**, New York, NY (US); **Nenad Jelisavcic**, Altadena, CA (US); **Fukang Jiang**, Pasadena, CA (US); **Rick Purvis**, Pasadena, CA (US); **Greg Harbers**, Valencia, CA (US); **Jason Shih**, Yorba Linda, CA (US); **Sean Caffey**, Pasadena, CA (US); **Mark Humayun**, Glendale, CA (US); **Octavio Cruz-Uribe**, Portland, OR (US); **Evan Tsang**, Glendora, CA (US)

* cited by examiner

Primary Examiner — David Muller
(74) *Attorney, Agent, or Firm* — Morgan, Lewis & Bockius LLP

(73) Assignee: **MINIPUMPS, LLC**, Pasadena, CA (US)

(57) **CLAIM**

The ornamental design for an implantable drug-delivery pump, substantially as shown and described.

(**) Term: **14 Years**

DESCRIPTION

(21) Appl. No.: **29/489,761**

FIG. 1 is a perspective view of an implantable drug-delivery pump incorporating our design; FIG. 2 is a rear elevation view thereof; FIG. 3 is a front elevation view thereof; FIG. 4 is a left-side elevation view thereof; FIG. 5 is a right-side elevation view thereof; FIG. 6 is a top plan view thereof; and, FIG. 7 is a bottom plan view thereof.

(22) Filed: **May 2, 2014**

(51) **LOC (10) Cl.** **24-02**

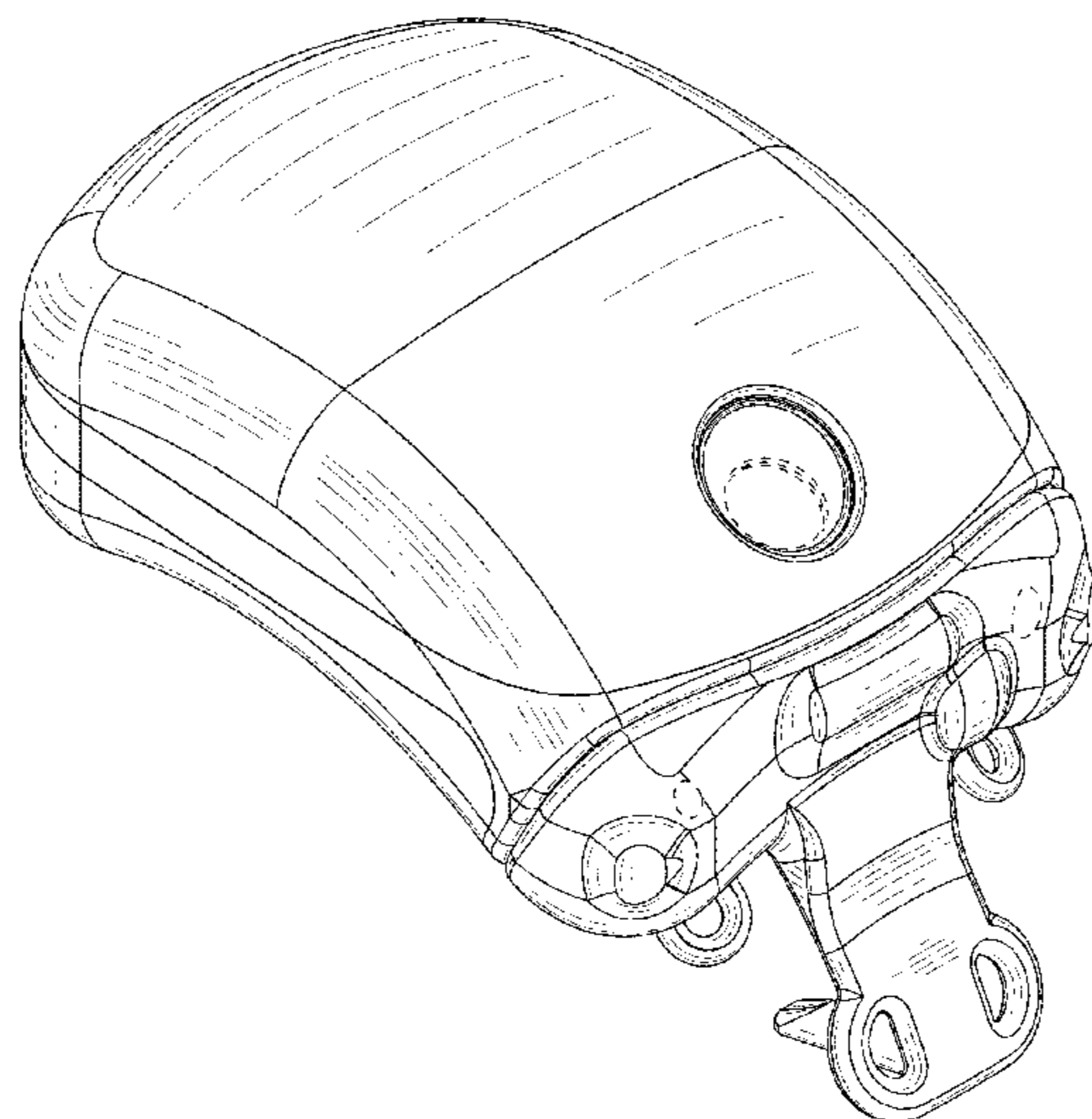
(52) **U.S. Cl.**
USPC **D24/111**

(58) **Field of Classification Search**
USPC D24/112, 113, 111, 127, 130, 108;
604/891.1, 239; 623/24
CPC A61M 5/162; A61M 5/14276; A61M
39/0208

The broken line showing of parts of the drawings is included for the purpose of illustrating use and environment and forms no part of the claimed design.

See application file for complete search history.

1 Claim, 7 Drawing Sheets



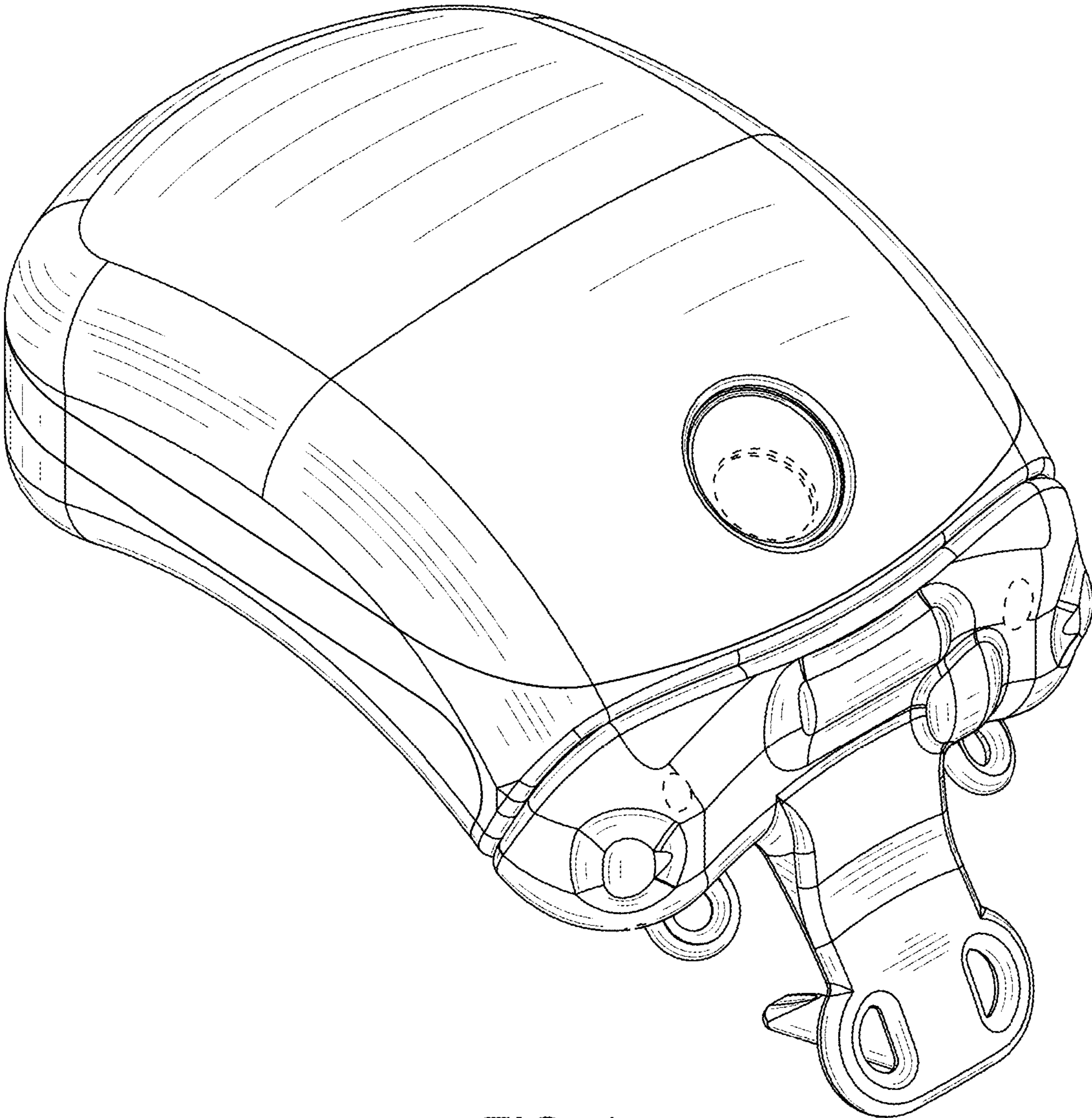


FIG. 1

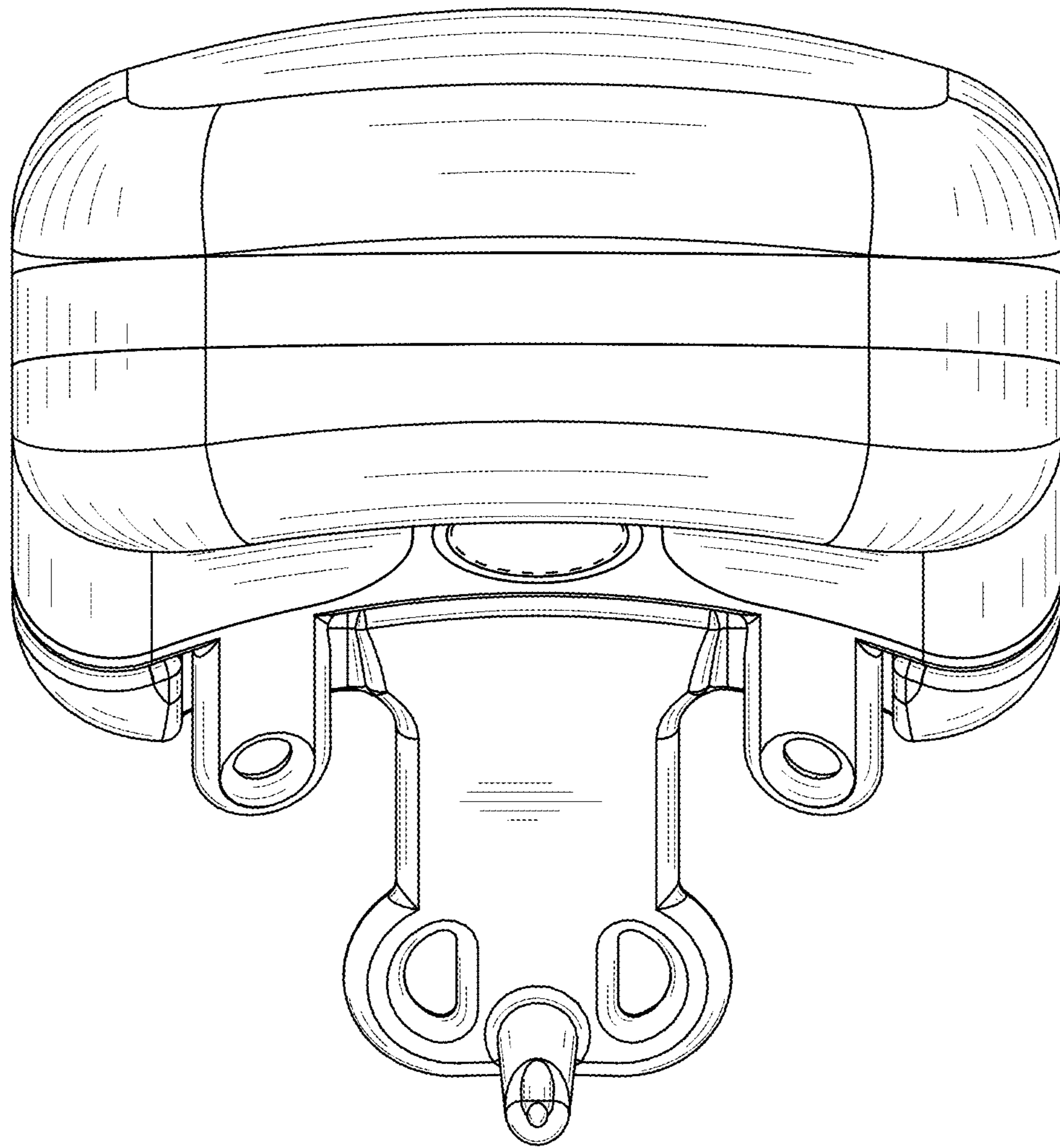


FIG. 2

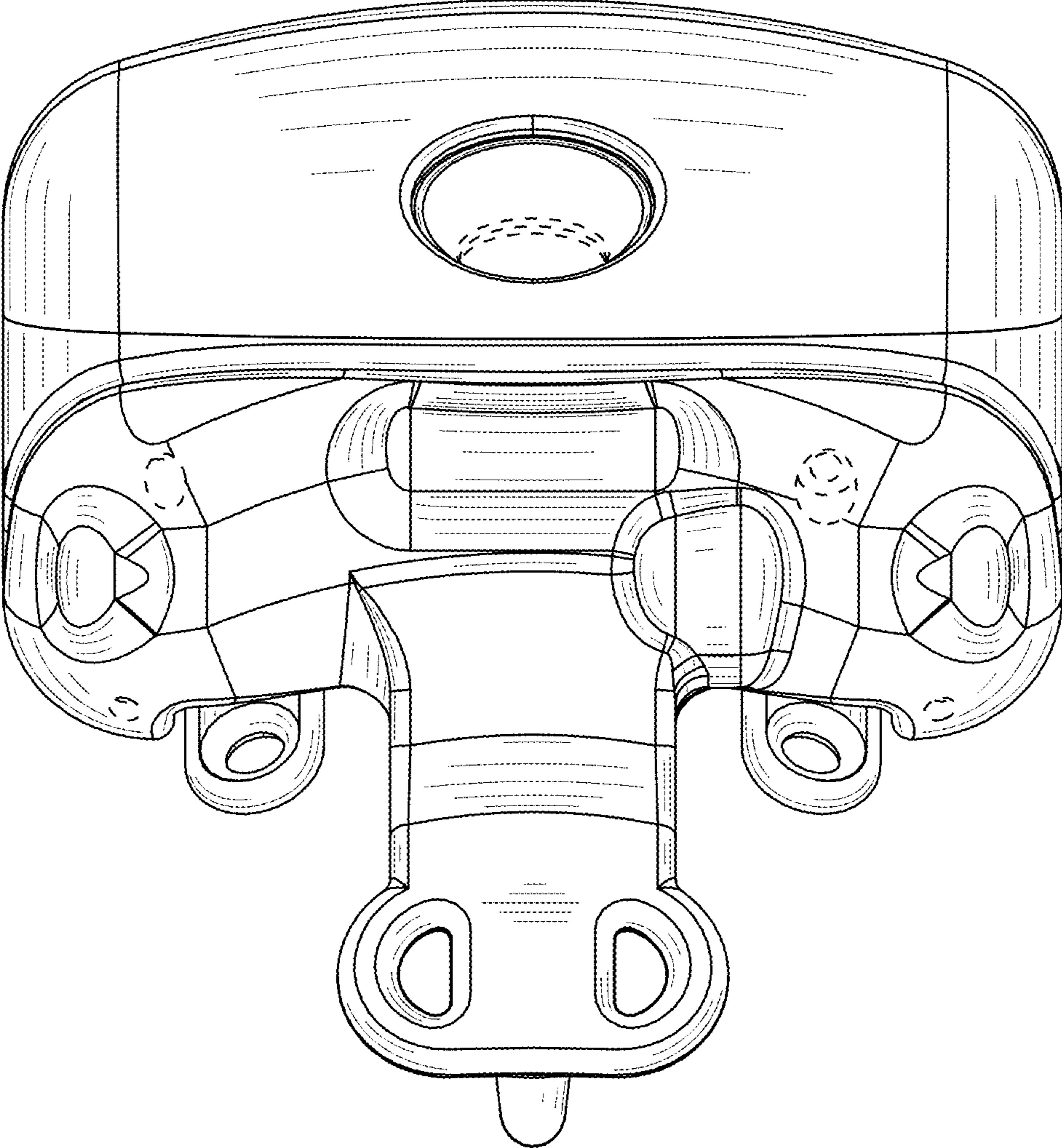


FIG. 3

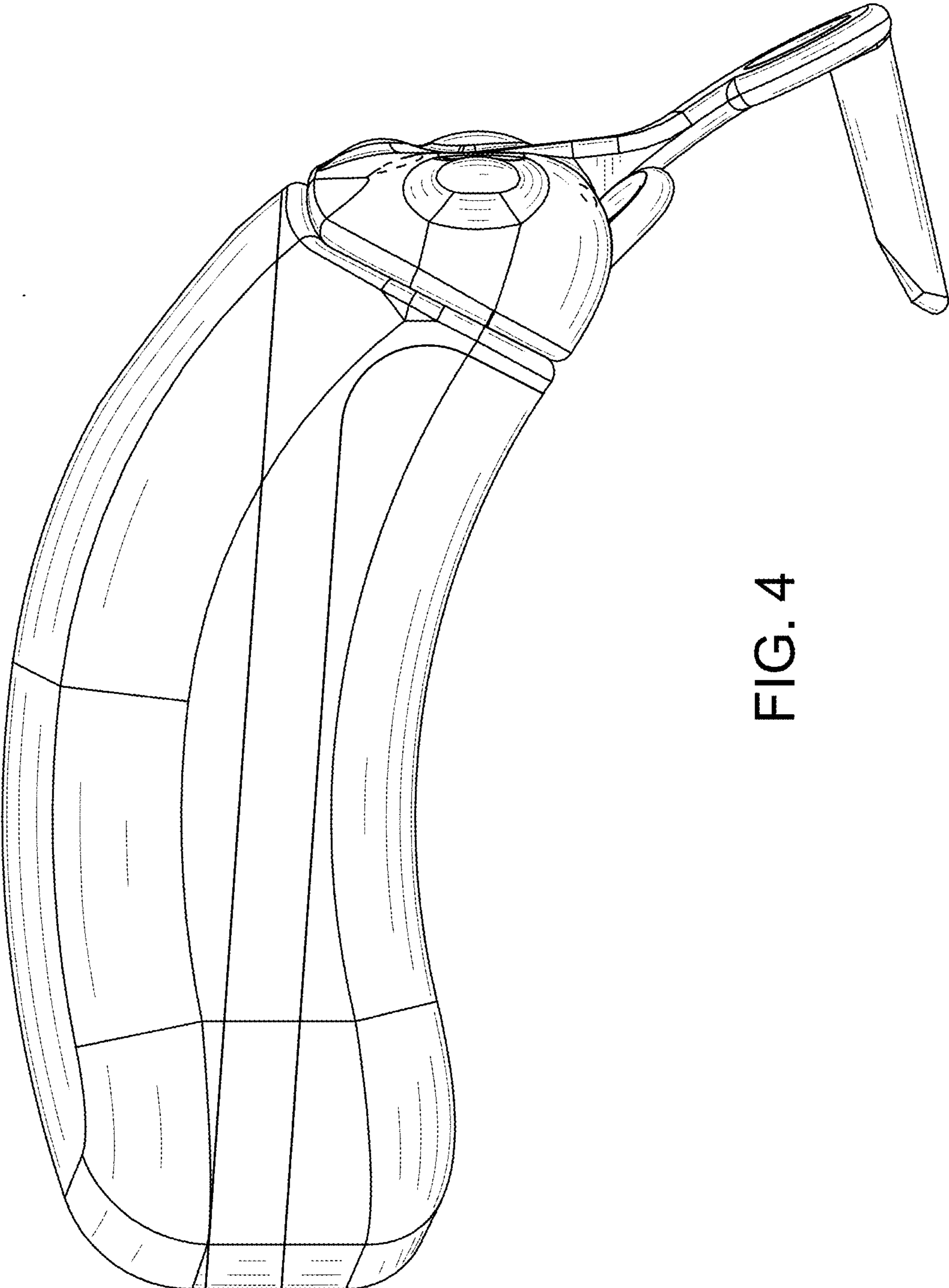


FIG. 4

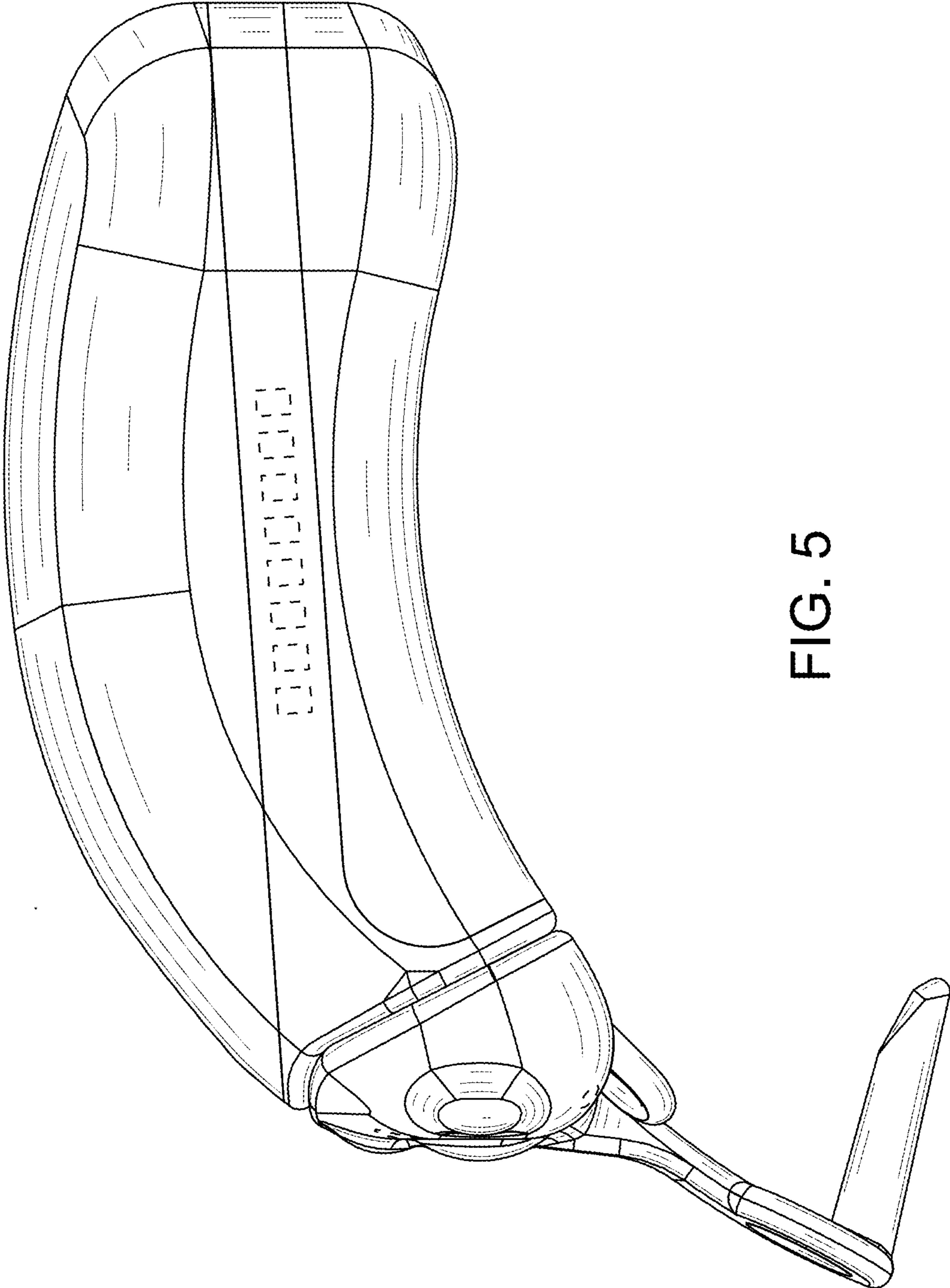


FIG. 5

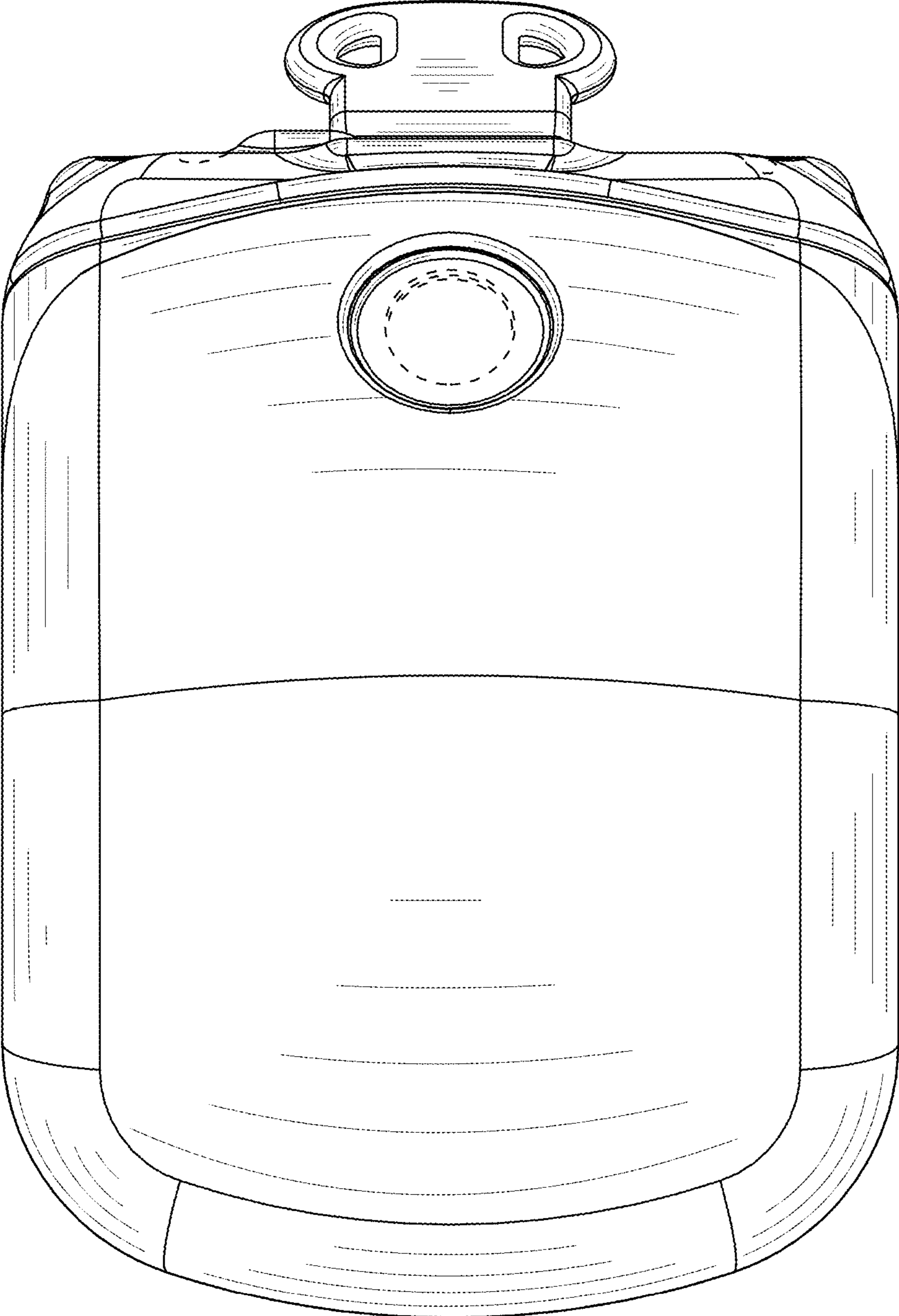


FIG. 6

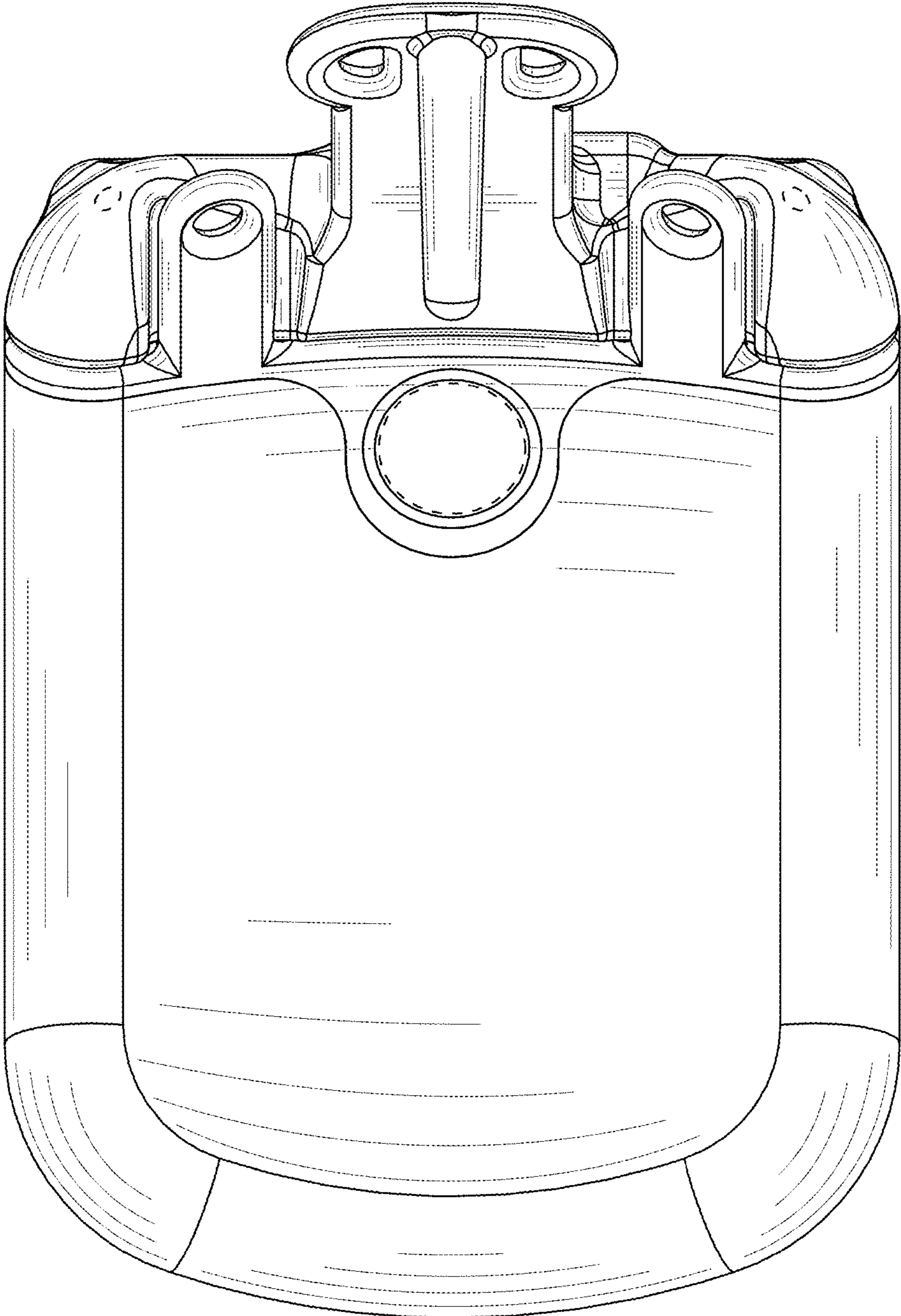


FIG. 7