



US00D770036S

(12) **United States Design Patent**
Walls et al.

(10) **Patent No.:** **US D770,036 S**

(45) **Date of Patent:** **** Oct. 25, 2016**

- (54) **BREATHING INTERFACE ASSEMBLY**
- (71) Applicant: **Fisher & Paykel Healthcare Limited**,
Auckland (NZ)
- (72) Inventors: **Bruce Michael Walls**, Auckland (NZ);
Rex Gordon Faithfull, Auckland (NZ);
Arvin San Jose Gardiola, Auckland
(NZ); **Wen Dong Huang**, Auckland
(NZ); **Matthew Robert Geoff Slight**,
Auckland (NZ)
- (73) Assignee: **Fisher & Paykel Healthcare Limited**,
Auckland (NZ)

- D653,748 S * 2/2012 Henry D24/110.1
- D656,231 S * 3/2012 Henry D24/110.1
- D668,328 S * 10/2012 Hill D24/110.1
- D691,257 S * 10/2013 Siew D24/110.1
- D692,554 S * 10/2013 Siew D24/110.1
- D696,767 S * 12/2013 Scheiner D24/110.1
- D704,329 S * 5/2014 Collazo D24/110.1
- D706,413 S * 6/2014 Veliss D24/110.1
- D709,181 S * 7/2014 Henry D24/110.1
- 8,839,791 B2 * 9/2014 Allum A61M 16/0666
128/201.13
- 8,985,115 B2 * 3/2015 Baecke A61M 16/0683
128/207.13
- D729,381 S * 5/2015 Himes D24/110.1

(Continued)

(**) Term: **14 Years**

(21) Appl. No.: **29/475,080**

(22) Filed: **Nov. 27, 2013**

(51) **LOC (10) Cl.** **29-02**

(52) **U.S. Cl.**
USPC **D24/110.4**

(58) **Field of Classification Search**
CPC A61M 16/0622; A61M 16/0616;
A61M 16/0816; A61M 16/08; A61M
16/0633; A61M 16/06; A61M 16/0666;
A61M 2210/0618; A61M 16/0683
See application file for complete search history.

(56) **References Cited**

U.S. PATENT DOCUMENTS

- D335,367 S * 5/1993 Mieskoski D16/339
- 5,394,568 A * 3/1995 Brostrom A62B 18/084
128/207.11
- D496,726 S * 9/2004 Amarasinghe D24/110
- D532,511 S * 11/2006 Amarasinghe D24/110
- D532,512 S * 11/2006 Amarasinghe D24/110
- D536,092 S * 1/2007 Amarasinghe D24/110
- D540,940 S * 4/2007 Amarasinghe D24/110
- D542,912 S * 5/2007 Gunaratnam D24/110.5
- D546,441 S * 7/2007 Hitchcock D24/110.1
- D561,332 S * 2/2008 Amarasinghe D24/110
- D612,933 S * 3/2010 Prentice D24/110.1

FOREIGN PATENT DOCUMENTS

JP D1464190 2/2013

OTHER PUBLICATIONS

Reason for Rejection from Examination Report [Partial Transla-
tion], Japanese Design Application No. 2014-011228.

Primary Examiner — Barbara Fox

Assistant Examiner — Lilyana Bekic

(74) *Attorney, Agent, or Firm* — Knobbe Martens Olson
& Bear LLP

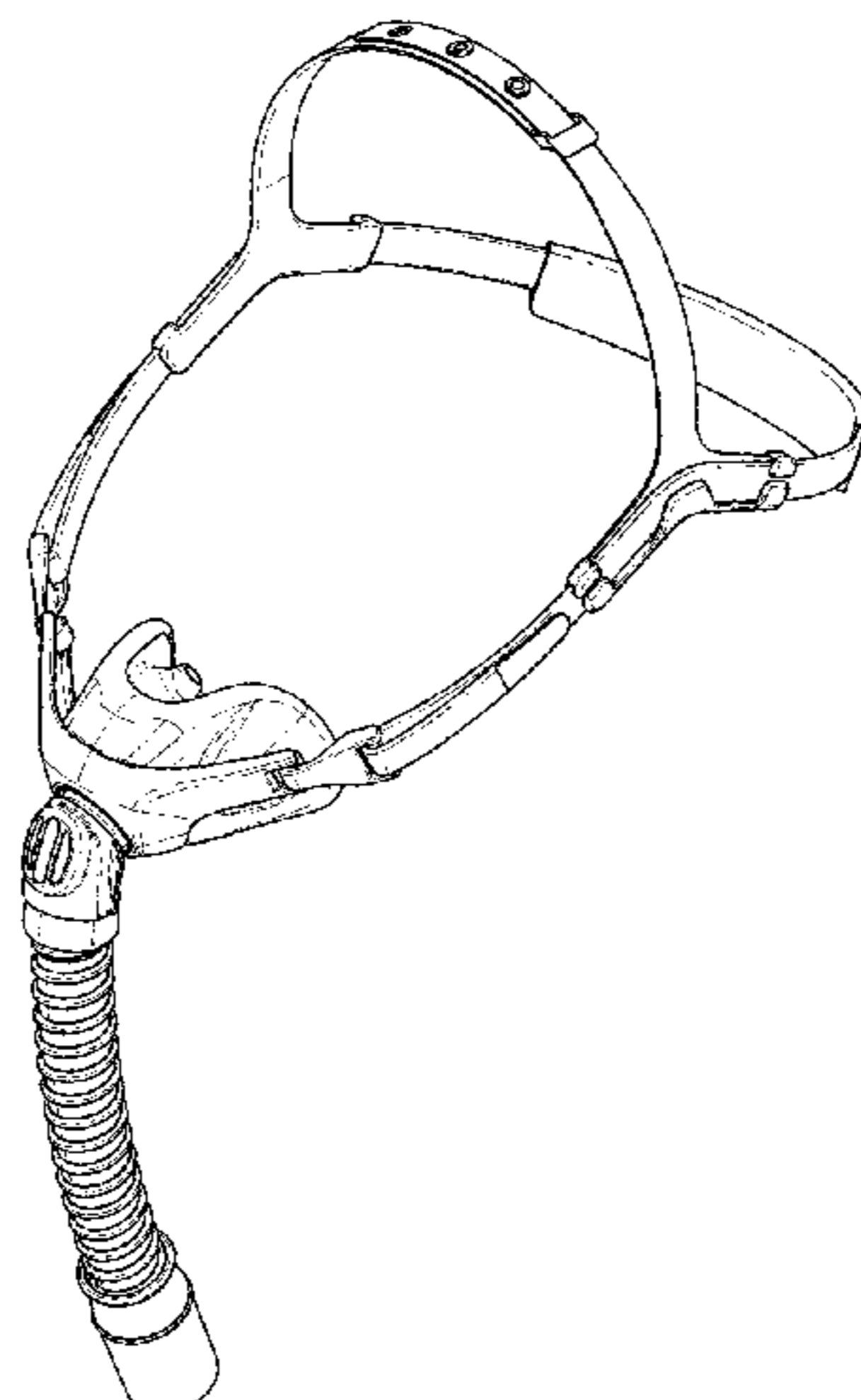
(57) **CLAIM**

The ornamental design for a breathing interface assembly, as
shown and described.

DESCRIPTION

FIG. 1 is a top, front and right side perspective view of a
breathing interface assembly embodying the new design.
FIG. 2 is a front view thereof.
FIG. 3 is a back view thereof.
FIG. 4 is a left side view thereof.
FIG. 5 is a right side view thereof.
FIG. 6 is a top view thereof; and,
FIG. 7 is a bottom view thereof.

1 Claim, 7 Drawing Sheets



(56)

References Cited

U.S. PATENT DOCUMENTS

D737,953 S * 9/2015 Wells D24/110
 2003/0196658 A1* 10/2003 Ging A61M 16/06
 128/201.22
 2004/0112377 A1* 6/2004 Amarasinghe A61M 16/0683
 128/201.22
 2004/0226566 A1* 11/2004 Gunaratnam A61M 16/0666
 128/207.18
 2008/0190432 A1* 8/2008 Blochlinger A61M 16/06
 128/205.25
 2009/0044808 A1* 2/2009 Guney A61M 16/0666
 128/206.24
 2009/0250065 A1* 10/2009 Omura A61M 16/0683
 128/207.11
 2010/0258136 A1* 10/2010 Doherty A61M 16/0666
 128/207.17
 2011/0000492 A1* 1/2011 Veliss A61M 16/0683
 128/207.13
 2011/0146685 A1* 6/2011 Allan A61M 16/06
 128/205.25
 2011/0197341 A1* 8/2011 Formica A61M 16/0683
 2/209.3
 2011/0232649 A1* 9/2011 Collazo A61M 16/06
 128/207.18

2011/0259335 A1* 10/2011 Sullivan A61M 16/0683
 128/205.25
 2012/0067349 A1* 3/2012 Barlow A61M 16/06
 128/205.25
 2012/0090622 A1* 4/2012 Chang A61M 16/0666
 128/207.18
 2012/0138060 A1* 6/2012 Barlow A61M 16/0666
 128/205.25
 2013/0042871 A1* 2/2013 Chang A61M 16/06
 128/205.25
 2013/0186403 A1* 7/2013 Chang A61M 16/0666
 128/205.25
 2013/0199537 A1* 8/2013 Formica A61M 16/06
 128/205.25
 2013/0220327 A1* 8/2013 Barlow A61M 16/0683
 128/205.25
 2014/0000614 A1* 1/2014 Chang A61M 16/0666
 128/205.25
 2014/0264975 A1* 9/2014 Bath A61M 16/0051
 261/141
 2014/0283843 A1* 9/2014 Eves A61M 11/00
 128/206.24
 2015/0151071 A1* 6/2015 Von Moger A61M 39/1055
 128/202.27
 2015/0199479 A1* 7/2015 Semen G06Q 50/24
 705/3
 2015/0224274 A1* 8/2015 Siew A61M 16/0683
 128/206.24

* cited by examiner

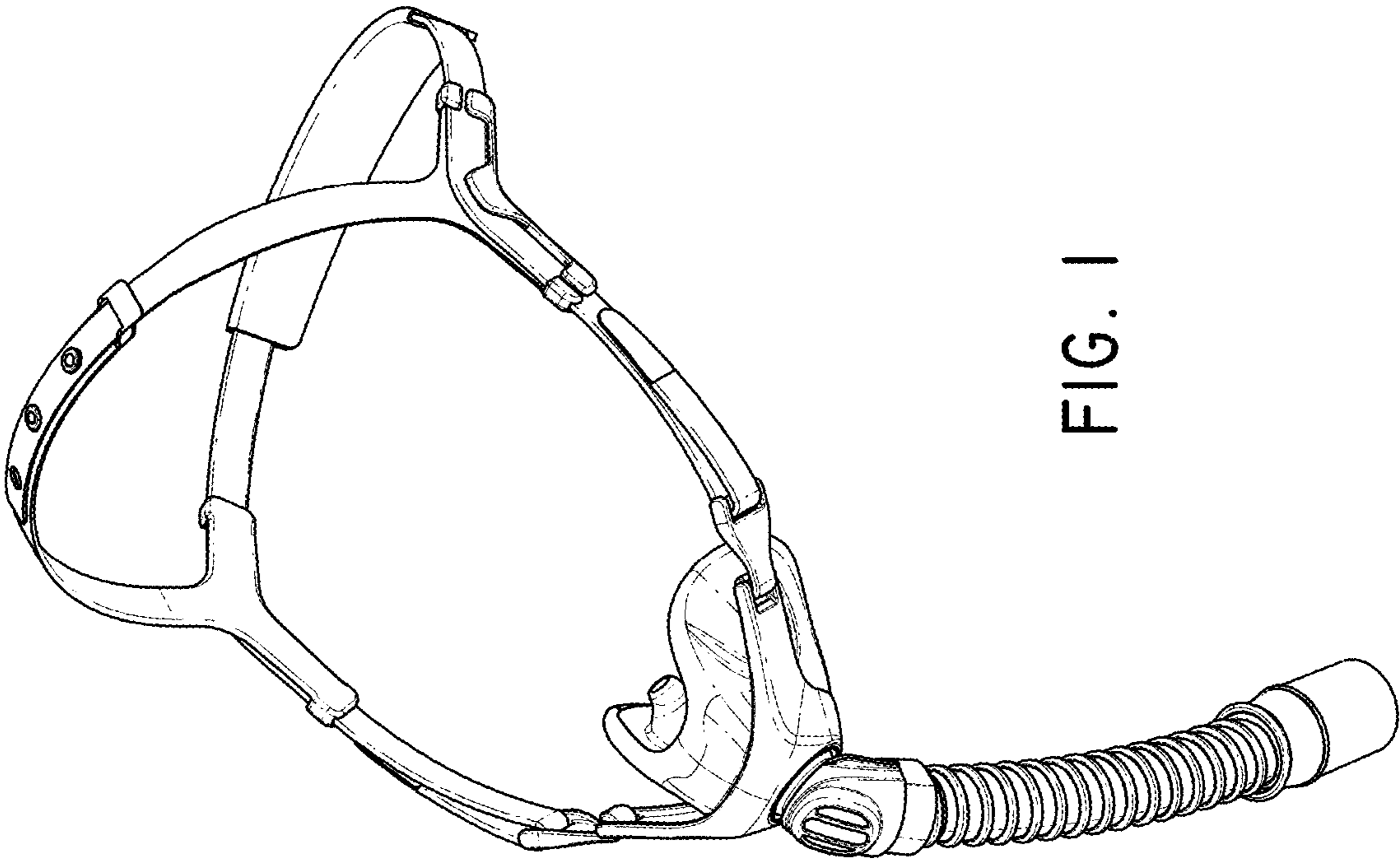


FIG. 1

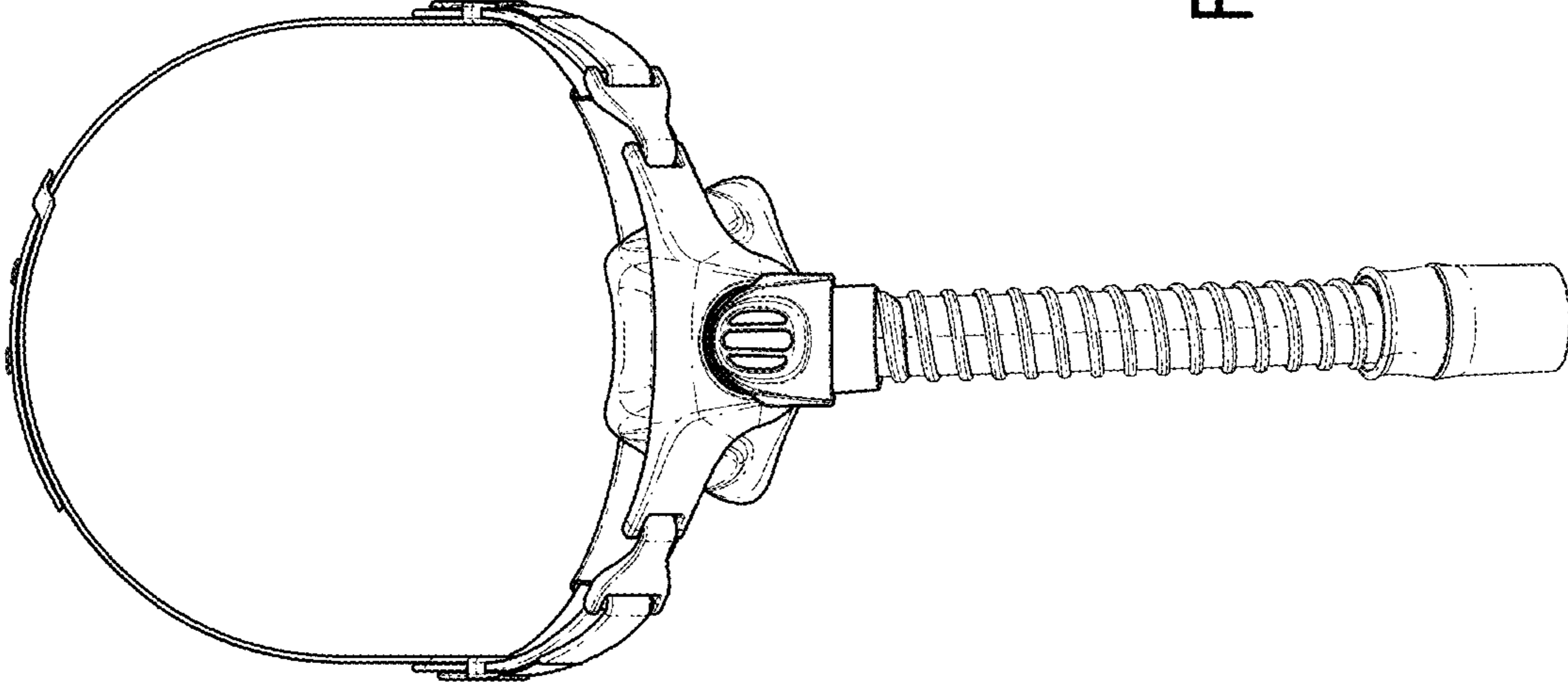


FIG. 2

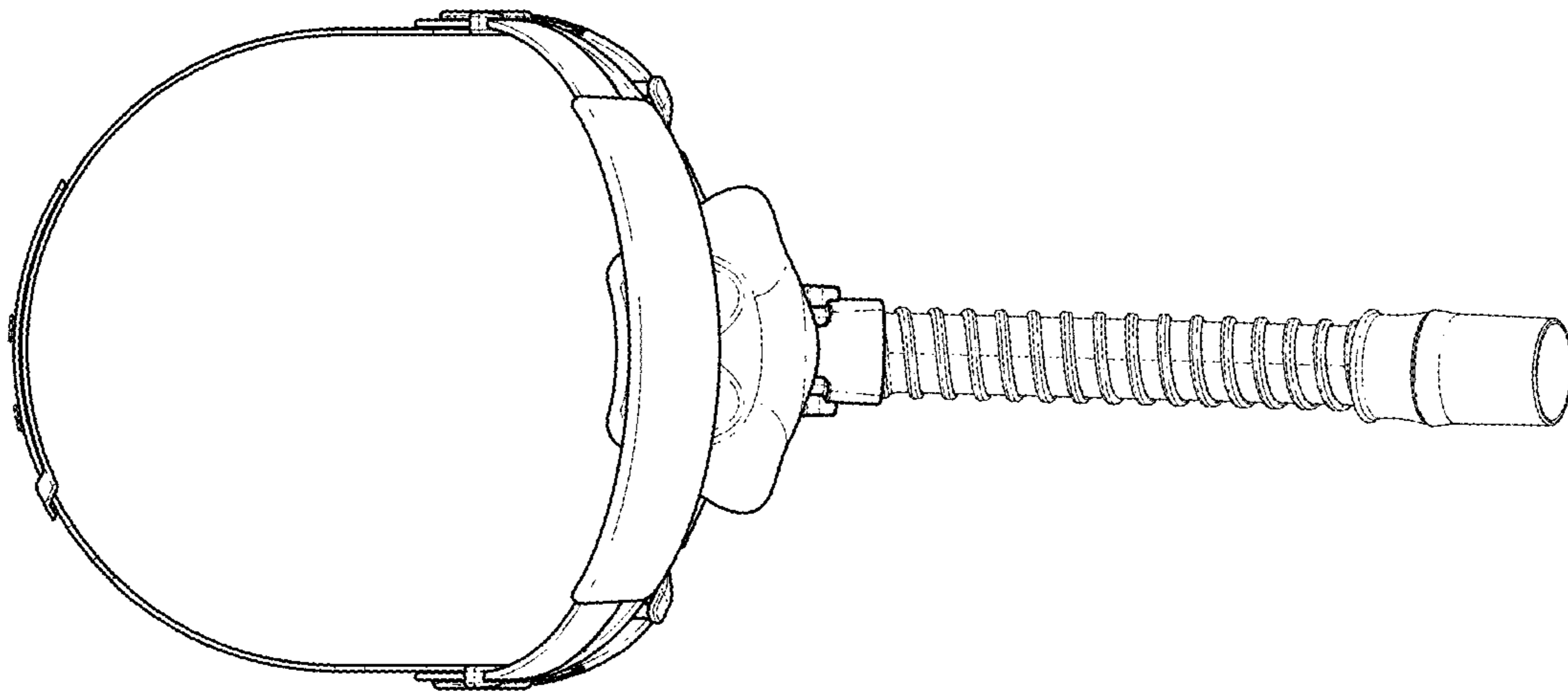


FIG. 3

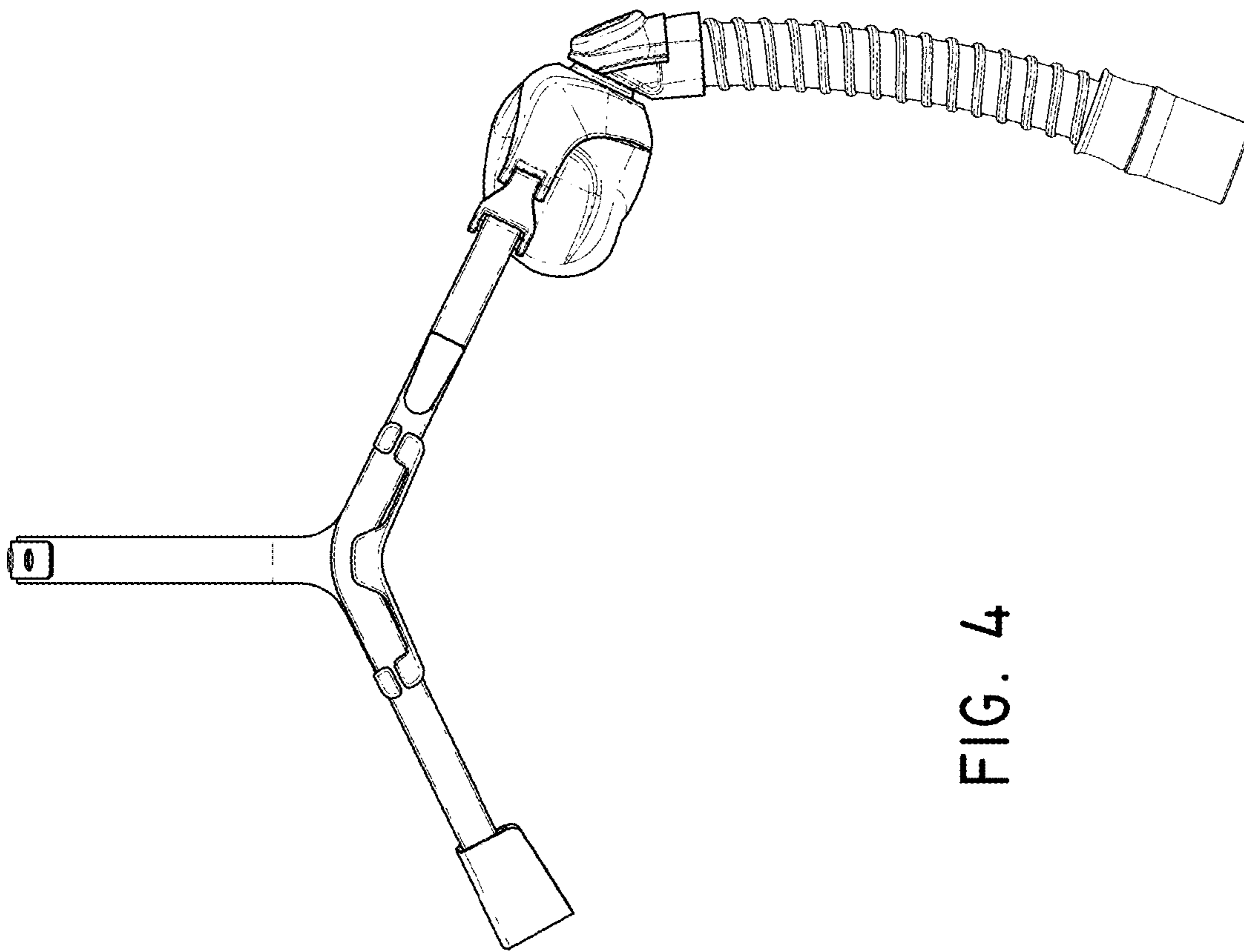


FIG. 4

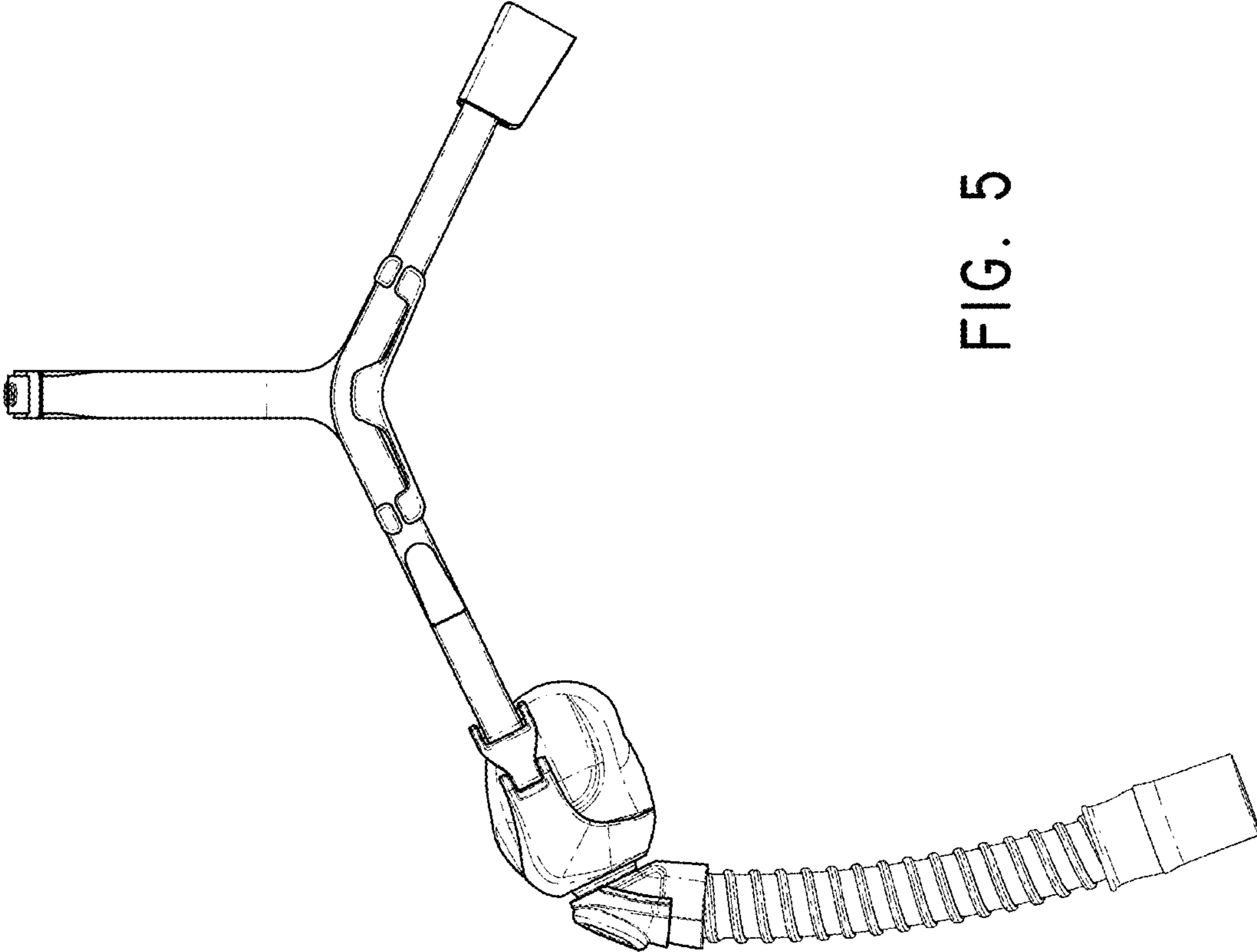


FIG. 5

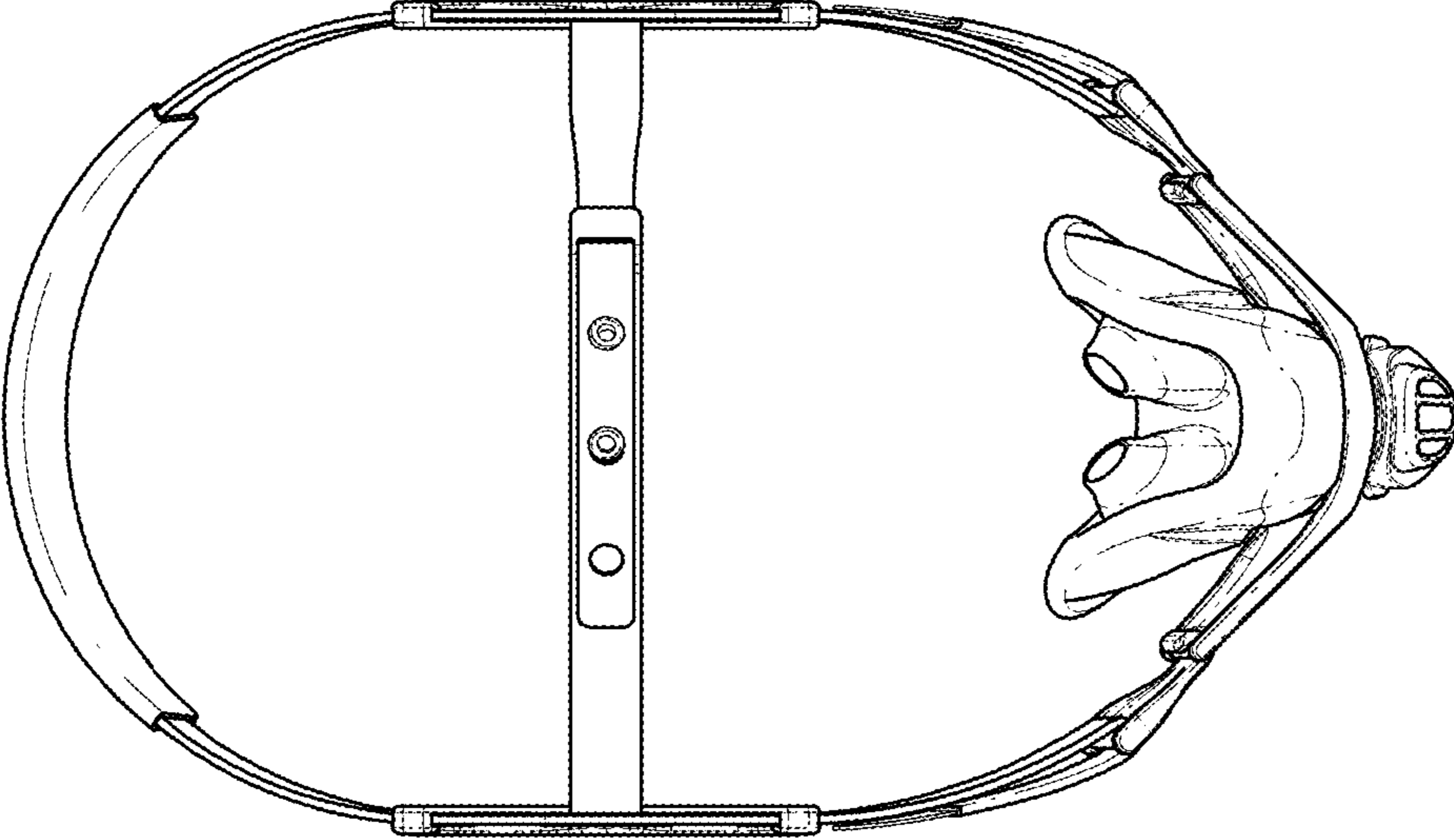


FIG. 6

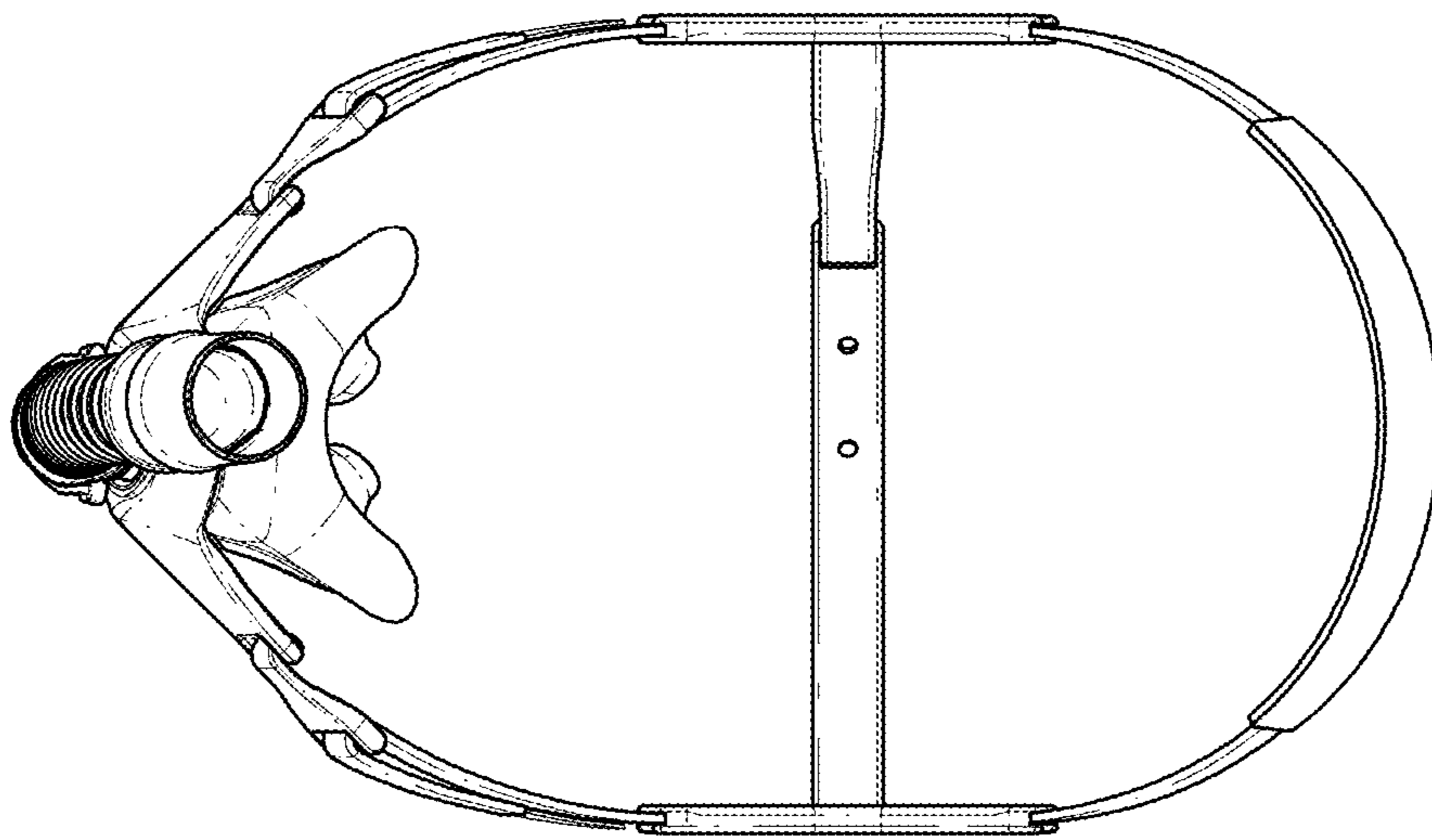


FIG. 7