



US00D770035S

(12) **United States Design Patent** (10) **Patent No.:** **US D770,035 S**
Prentice et al. (45) **Date of Patent:** **** Oct. 25, 2016**

(54) **SEAL**

(71) Applicant: **Fisher & Paykel Healthcare Limited**,
Auckland (NZ)

(72) Inventors: **Craig Robert Prentice**, Auckland (NZ);
Bernard Tsz Lun Ip, Auckland (NZ);
Richard John Boyes, Auckland (NZ);
Thomas Mark Richardson, Auckland
(NZ); **Gareth Thomas McDermott**,
Auckland (NZ); **Jonathan Mark**
Downey, Auckland (NZ); **Matthew**
Roger Stephenson, Auckland (NZ)

(73) Assignee: **Fisher & Paykel Healthcare Limited**,
Auckland (NZ)

(**) Term: **14 Years**

(21) Appl. No.: **29/472,124**

(22) Filed: **Nov. 8, 2013**

Related U.S. Application Data

(63) Continuation of application No. 29/401,929, filed on
Sep. 16, 2011, now Pat. No. Des. 693,459.

(51) **LOC (10) Cl.** **29-02**

(52) **U.S. Cl.**
USPC **D24/110.1**
CPC **A62B 18/00** (2013.01)

(58) **Field of Classification Search**
USPC D24/110.1-110.6; 128/204.18-207.13
CPC A62B 18/00; A62B 18/02; A62B 18/025;
A61M 16/0622; A61M 16/06; A61M
16/0616

See application file for complete search history.

(56) **References Cited**

U.S. PATENT DOCUMENTS

2,415,846 A * 2/1947 Randall A62B 18/025
128/206.24

4,167,185 A 9/1979 Lewis

(Continued)

FOREIGN PATENT DOCUMENTS

EP 1258266 11/2002

NZ 551715 2/2011

(Continued)

Primary Examiner — Richard E Chilcot

(74) *Attorney, Agent, or Firm* — Knobbe, Martens, Olson
& Bear, LLP.

(57) **CLAIM**

The ornamental design for a seal, as shown and described.

DESCRIPTION

FIG. 1 is a rear perspective view of a seal of a patient
interface;

FIG. 2 is a front perspective view of the seal of FIG. 1;

FIG. 3 is a left side elevational view of the seal of FIG. 1;

FIG. 4 is a right side elevational view of the seal of FIG. 1;

FIG. 5 is a rear elevational view of the seal of FIG. 1;

FIG. 6 is a front elevational view of the seal of FIG. 1;

FIG. 7 is a top elevational view of the seal of FIG. 1;

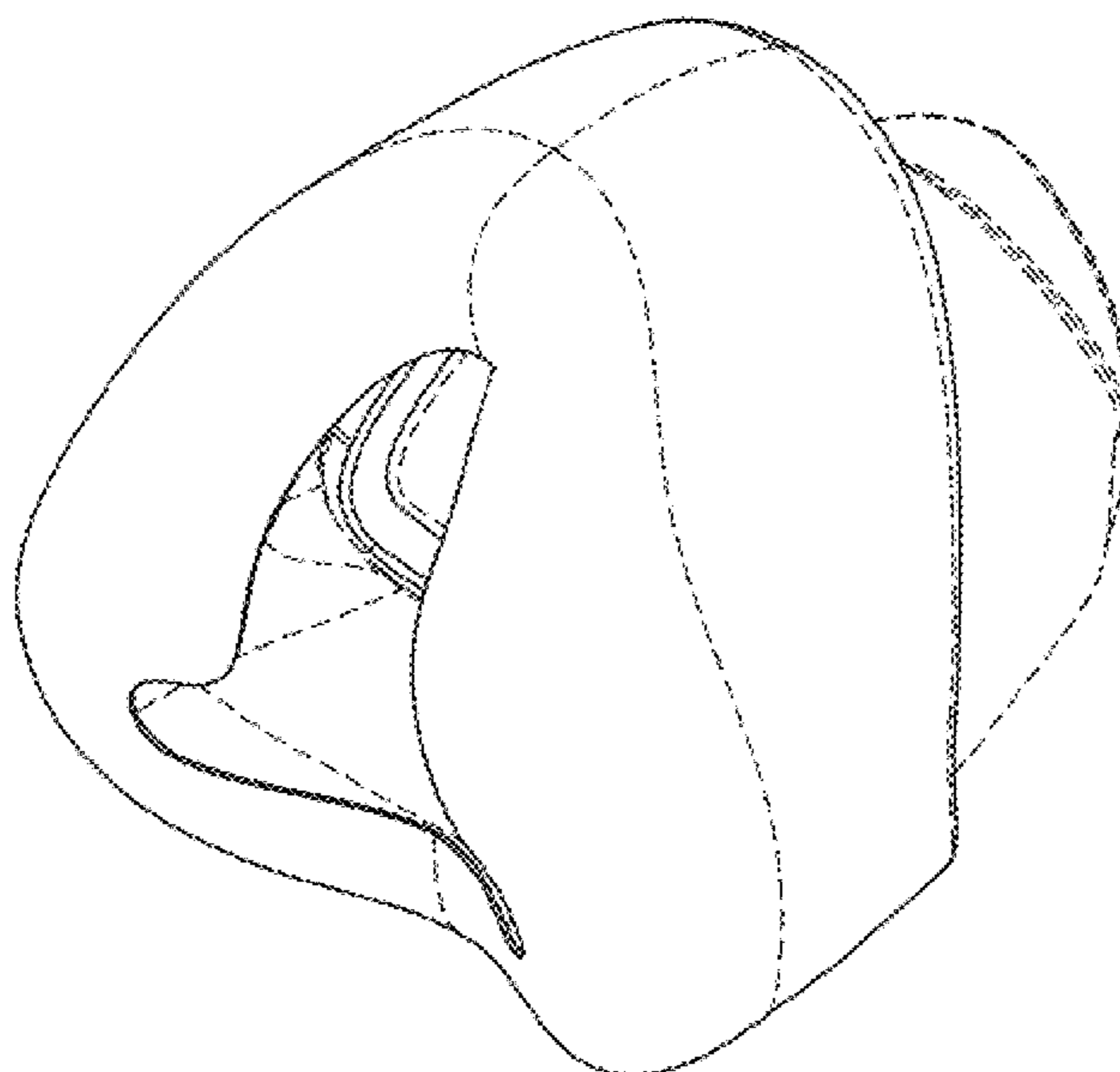
FIG. 8 is a bottom elevational view of the seal of FIG. 1;

FIG. 9 is a close-up of the view of FIG. 6; and,

FIG. 10 is a cross-sectional view taken along line 10-10 of
FIG. 9.

Broken lines are used to illustrate features of the seal which
form no part of the claimed design.

1 Claim, 2 Drawing Sheets



(56)

References Cited

U.S. PATENT DOCUMENTS

D377,089 S * 12/1996 Starr D24/110.1
 6,123,071 A * 9/2000 Berthon-Jones A61M 16/06
 128/204.18
 6,374,826 B1 4/2002 Gunaratnam et al.
 6,467,483 B1 10/2002 Kopacko et al.
 D476,732 S 7/2003 Smart
 6,651,663 B2 11/2003 Barnett et al.
 D486,226 S 2/2004 Guney et al.
 D498,529 S * 11/2004 Kwok D24/110.1
 D549,322 S 8/2007 Stallard et al.
 D555,785 S 11/2007 McAuley et al.
 D557,411 S 12/2007 Smart et al.
 D558,334 S 12/2007 Stallard et al.
 D582,545 S * 12/2008 Omura D24/110.1
 D582,546 S 12/2008 Fujiura et al.
 D583,930 S 12/2008 McAuley et al.
 D586,458 S 2/2009 Kooij et al.
 D586,906 S 2/2009 Stallard et al.
 7,523,754 B2 4/2009 Lithgow et al.
 D595,841 S 7/2009 McAuley et al.
 D597,661 S 8/2009 Reid et al.
 7,665,464 B2 2/2010 Kopacko et al.
 D612,483 S 3/2010 Chang
 D612,932 S 3/2010 Davidson et al.
 D614,763 S 4/2010 Maurer et al.
 D624,642 S 9/2010 Collazo et al.

7,827,990 B1 11/2010 Melidis et al.
 7,861,718 B2 1/2011 Janbakhsh et al.
 D639,419 S 6/2011 Eves et al.
 D639,932 S 6/2011 D'Souza et al.
 D645,955 S 9/2011 Kooij et al.
 D653,328 S 1/2012 Eves et al.
 8,230,861 B2 * 7/2012 Ho A61M 16/06
 128/206.21
 D665,494 S 8/2012 Stallard et al.
 D693,459 S * 11/2013 Prentice D24/110.1
 D706,413 S * 6/2014 Veliss D24/110.1
 D716,505 S * 10/2014 Wu D24/110.4
 D716,506 S * 10/2014 Wu D24/110.4
 D730,511 S * 5/2015 Mark D24/110.1
 D740,935 S * 10/2015 Cullen D24/110.1
 2007/0215161 A1 9/2007 Frater et al.
 2007/0267017 A1 11/2007 Edwin McAuley et al.
 2008/0110464 A1 5/2008 Davidson et al.
 2010/0122701 A1 5/2010 Gunaratnam et al.

FOREIGN PATENT DOCUMENTS

WO WO 01/32250 5/2001
 WO WO 2005/094928 10/2005
 WO WO 2005/123166 12/2005
 WO WO 2006/074513 7/2006
 WO WO 2010/009877 1/2010
 WO WO 2010/135785 12/2010

* cited by examiner

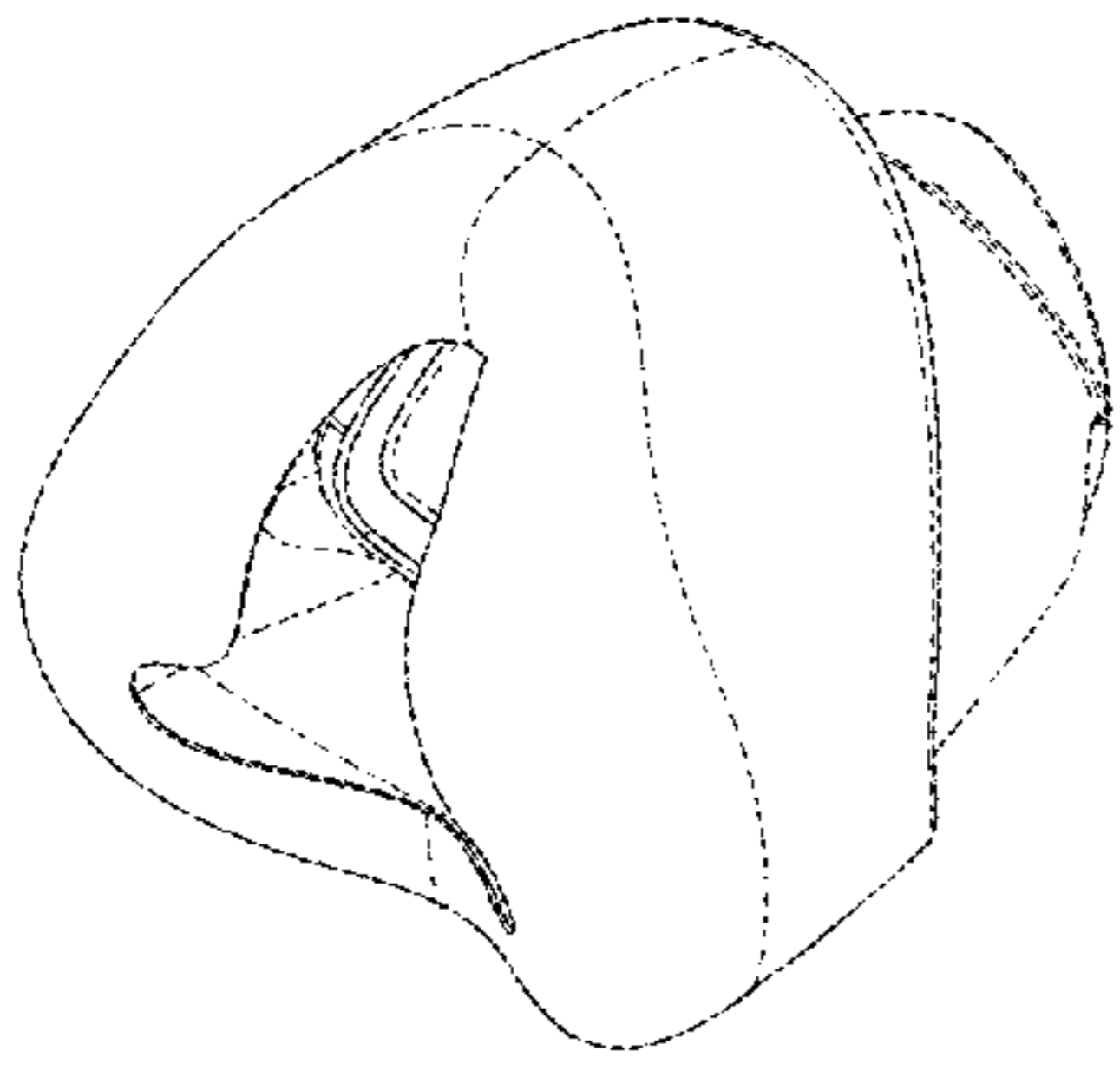


FIG. 1

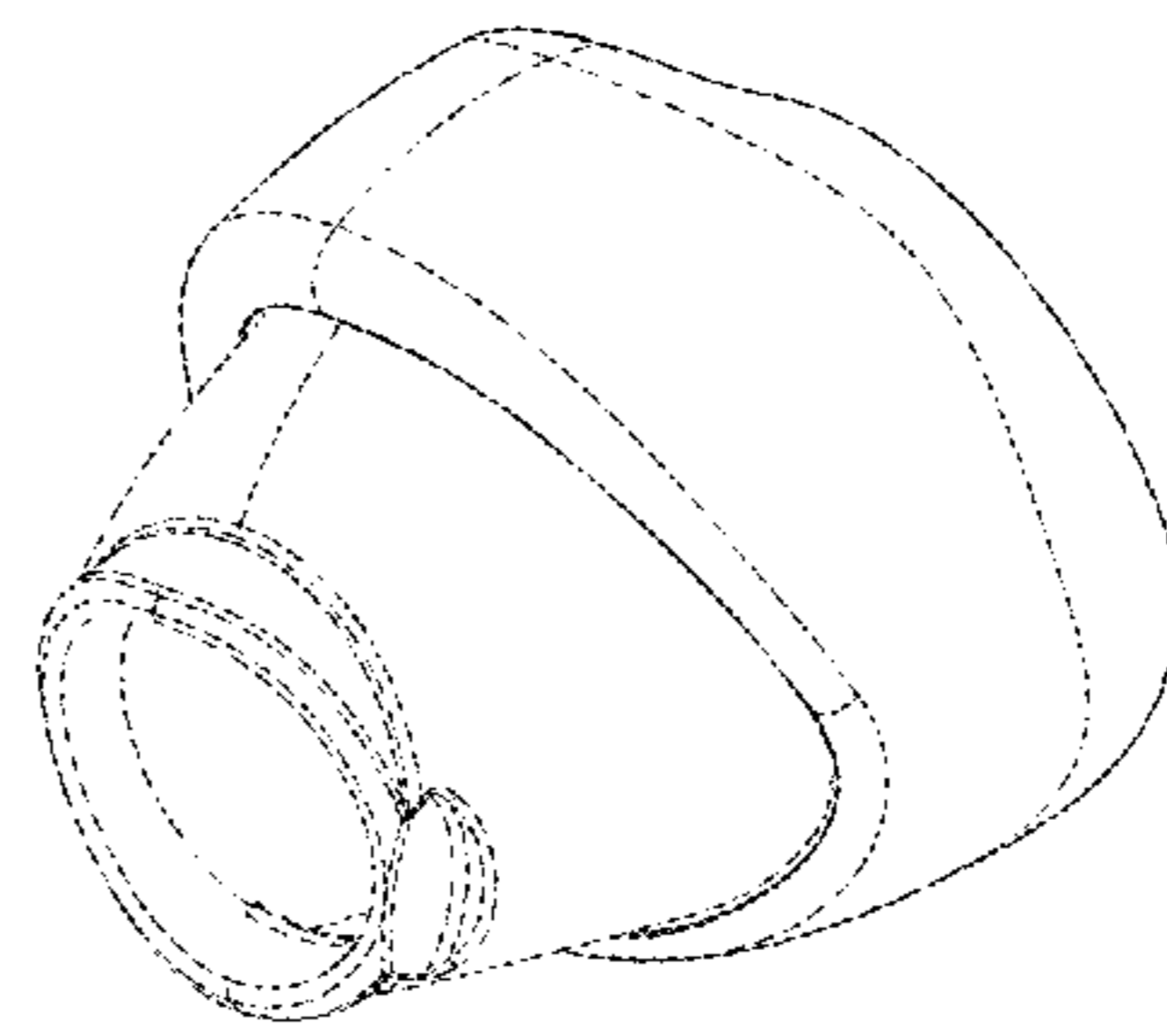


FIG. 2

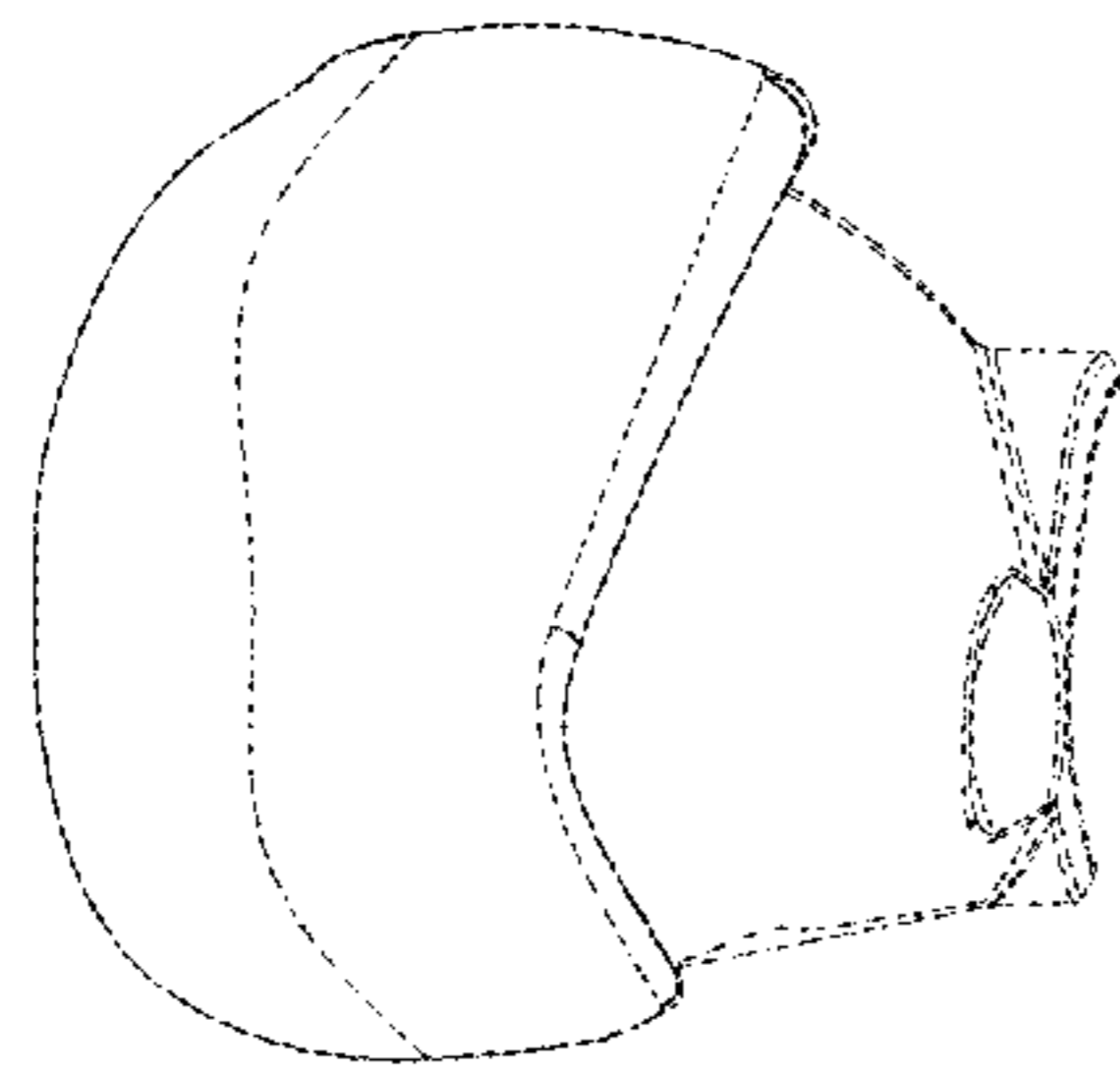


FIG. 3

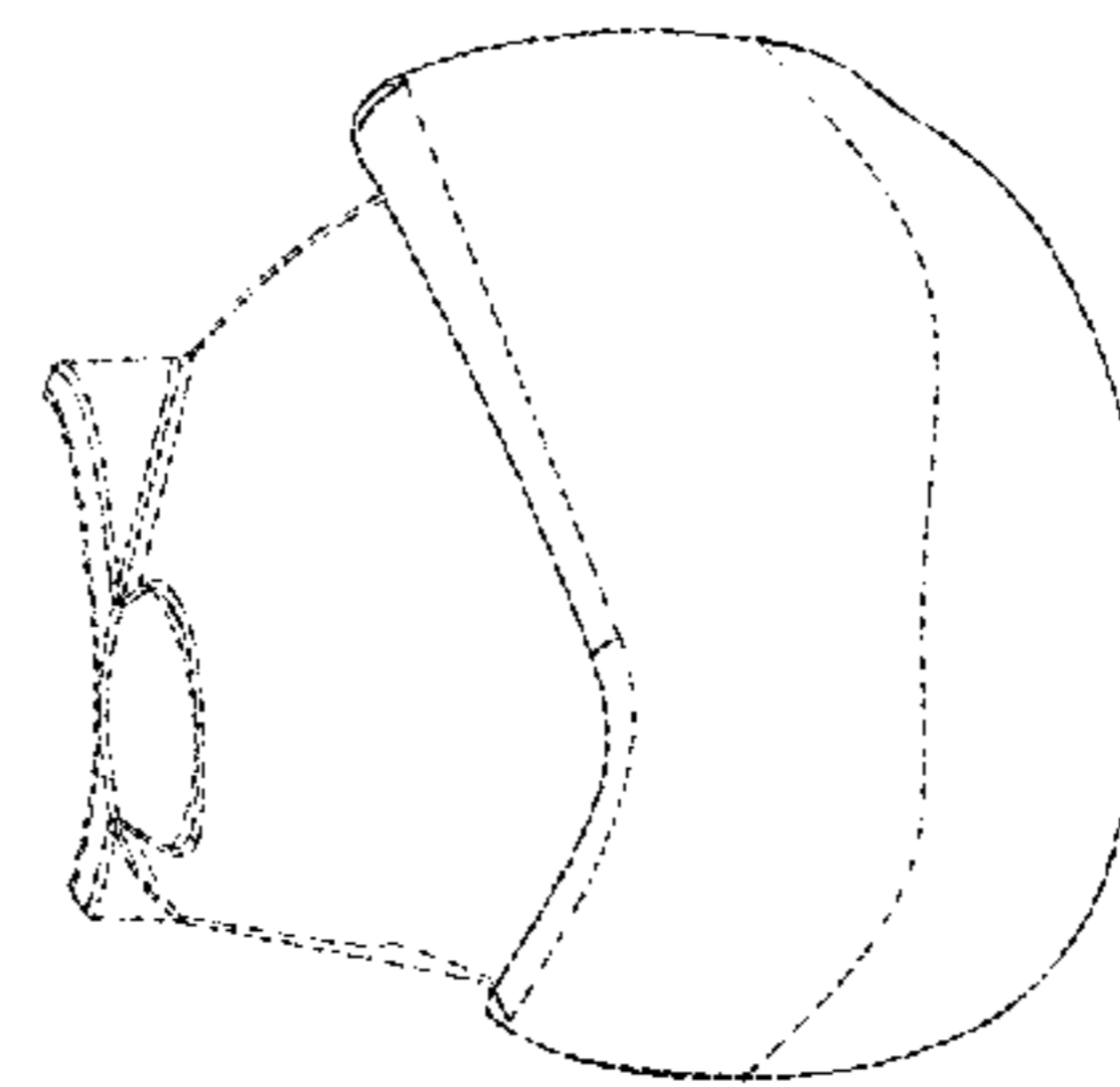


FIG. 4

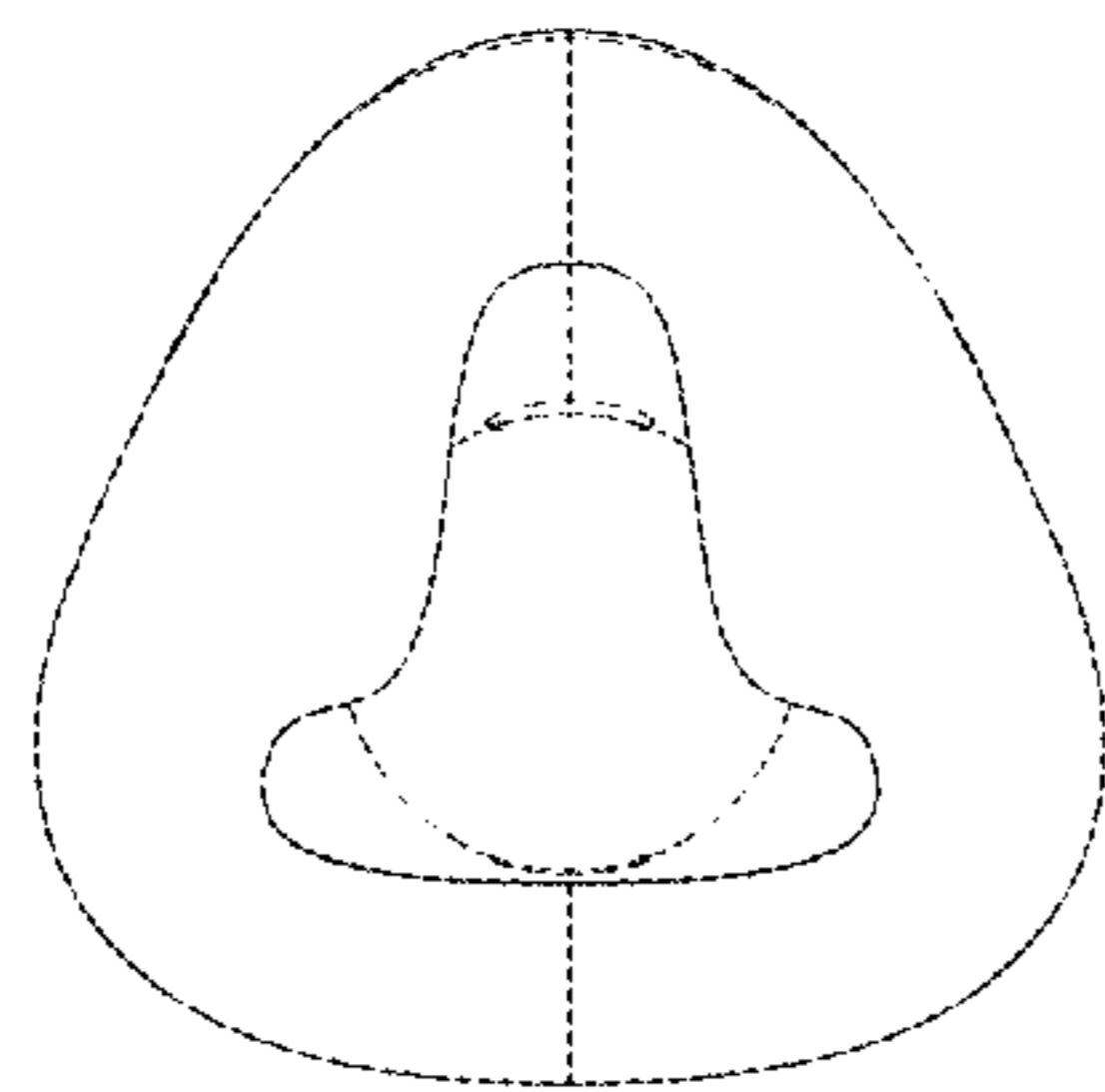


FIG. 5

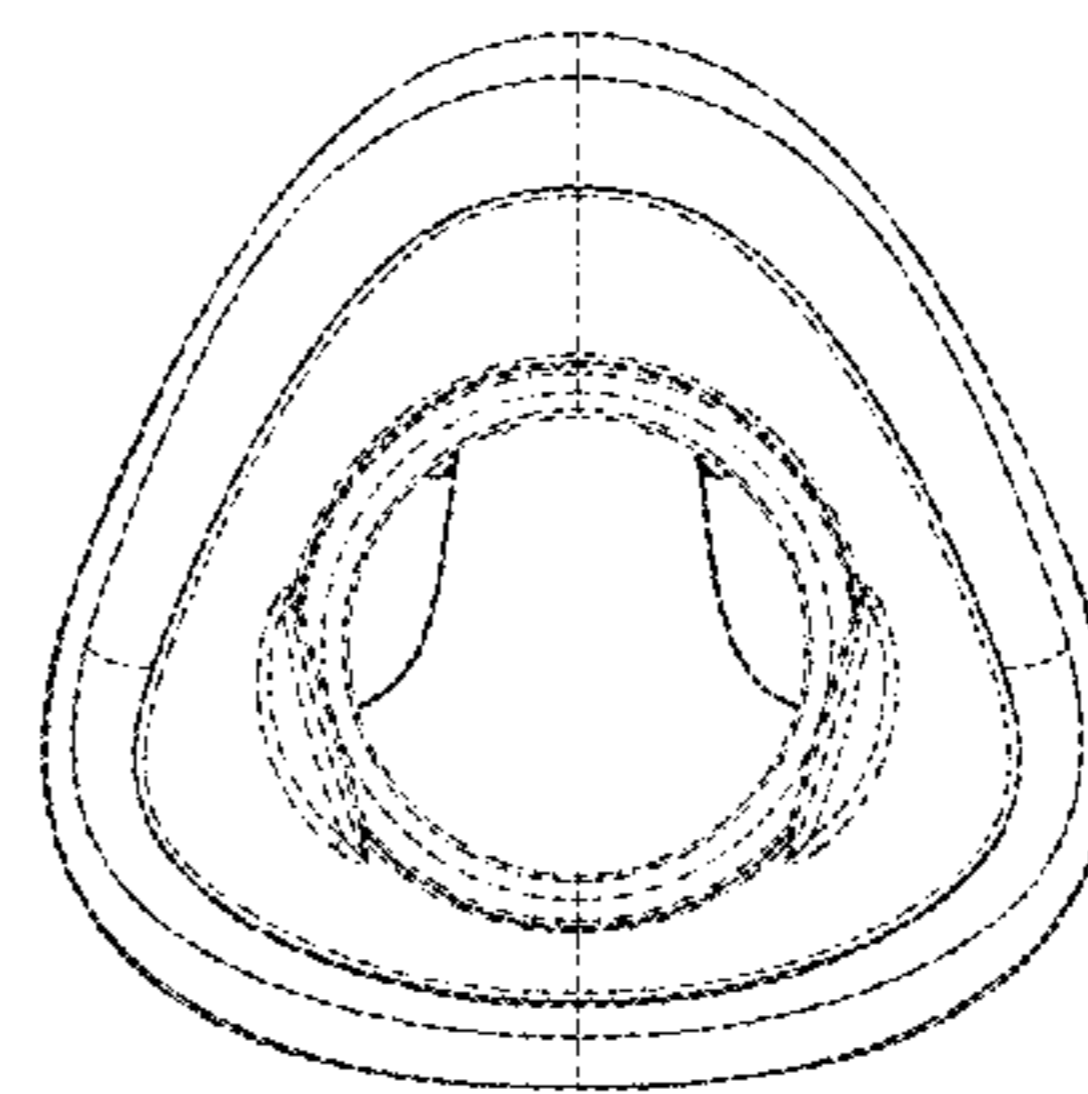


FIG. 6

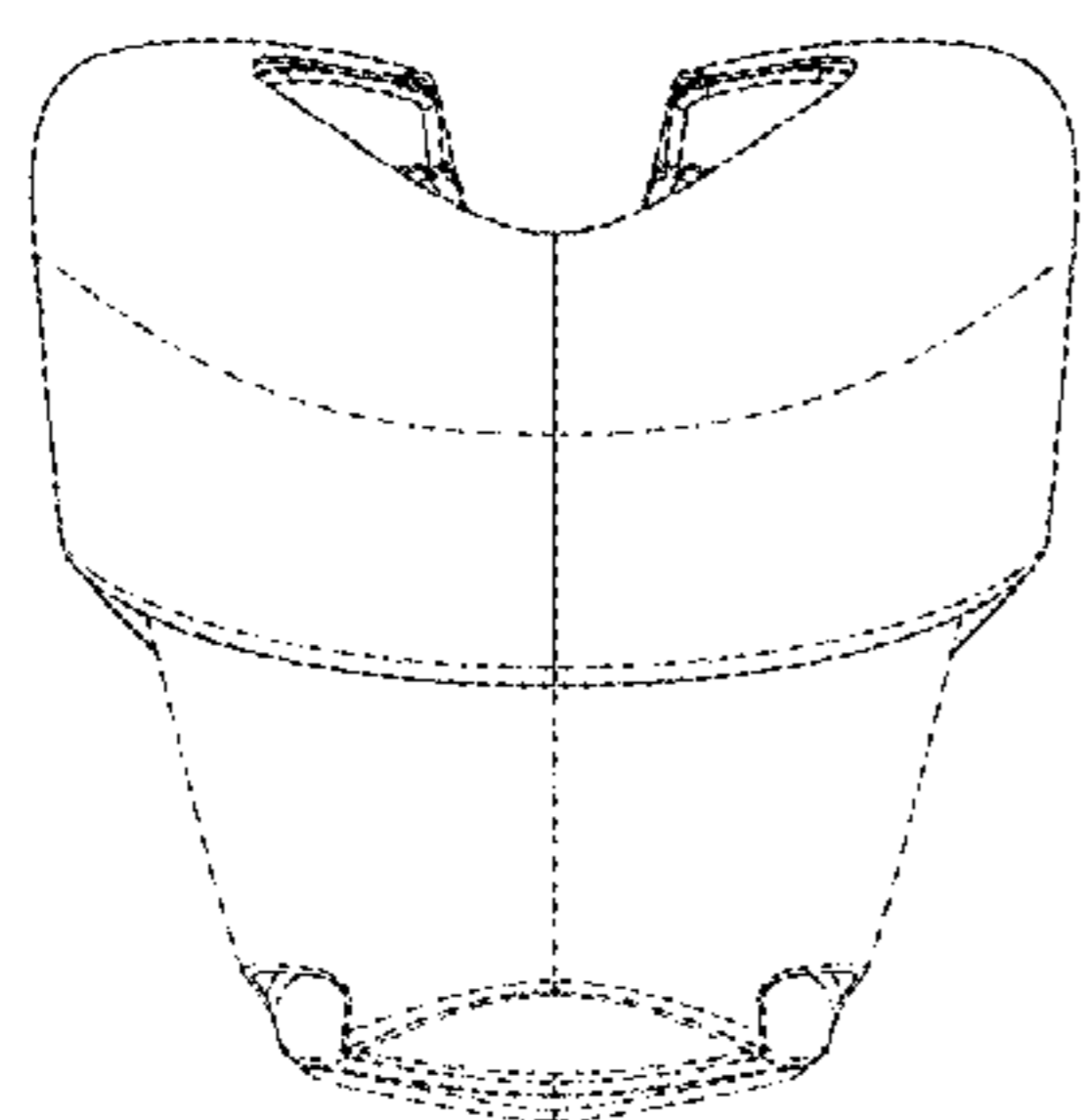


FIG. 7

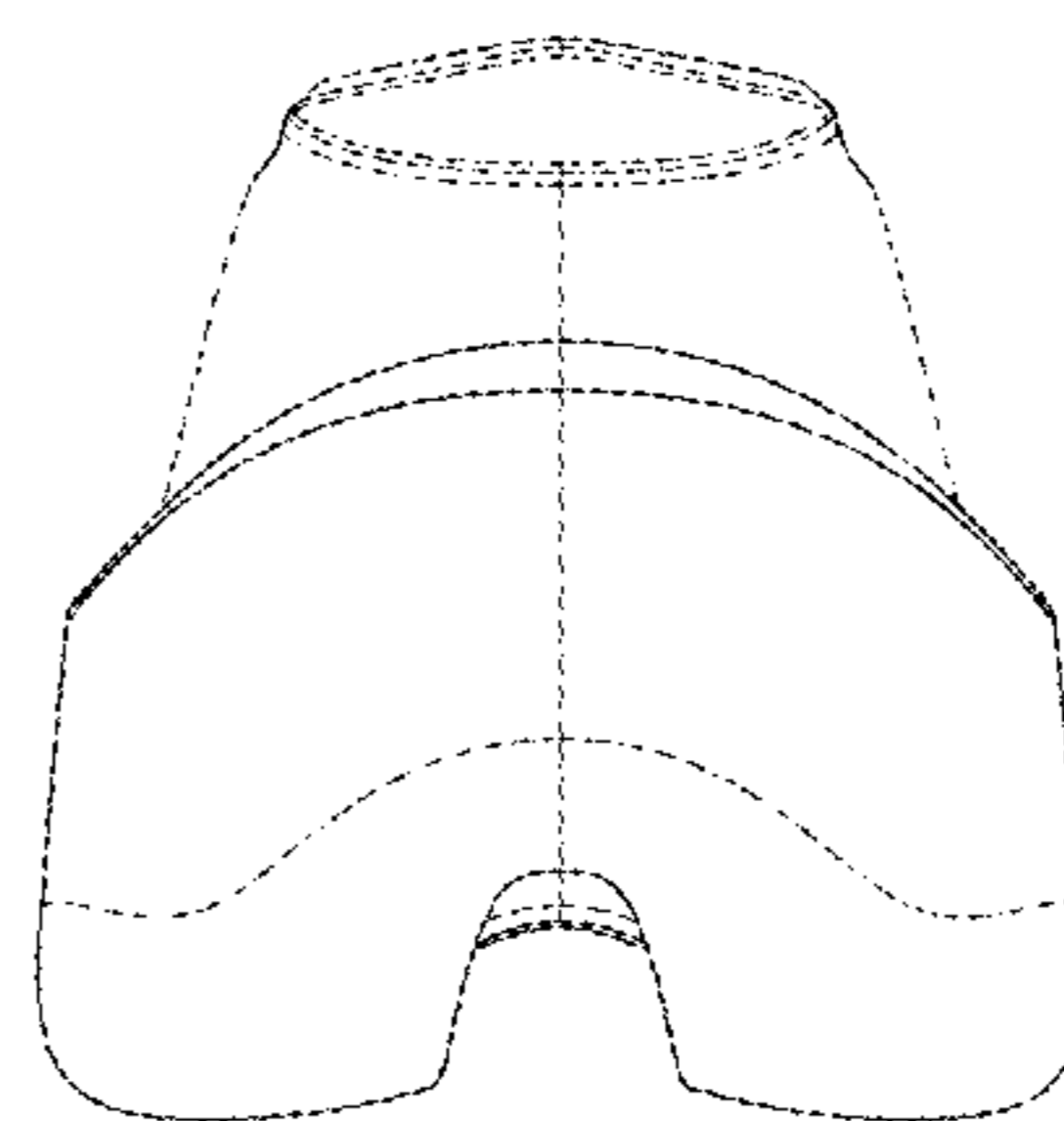


FIG. 8

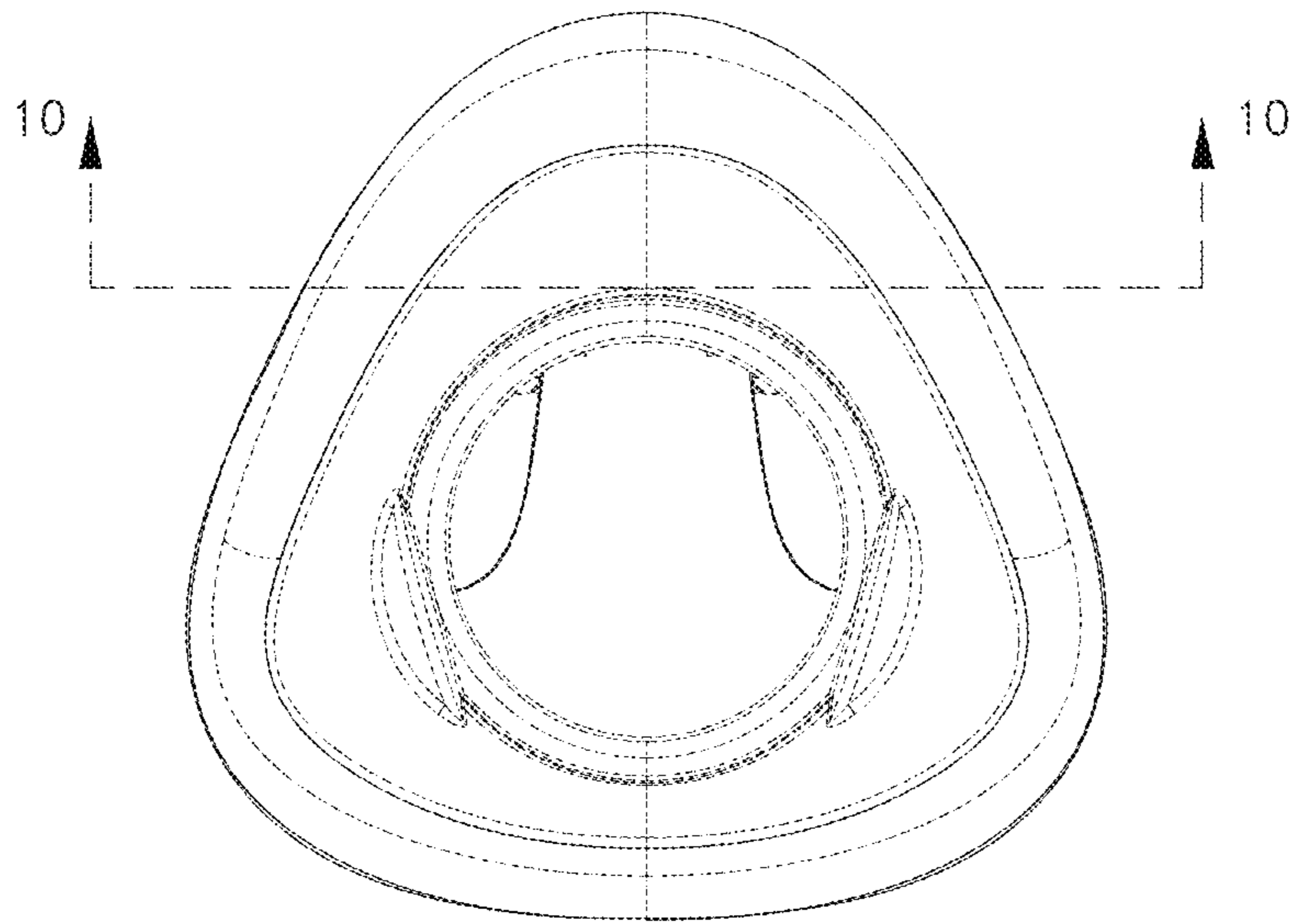


FIG. 9

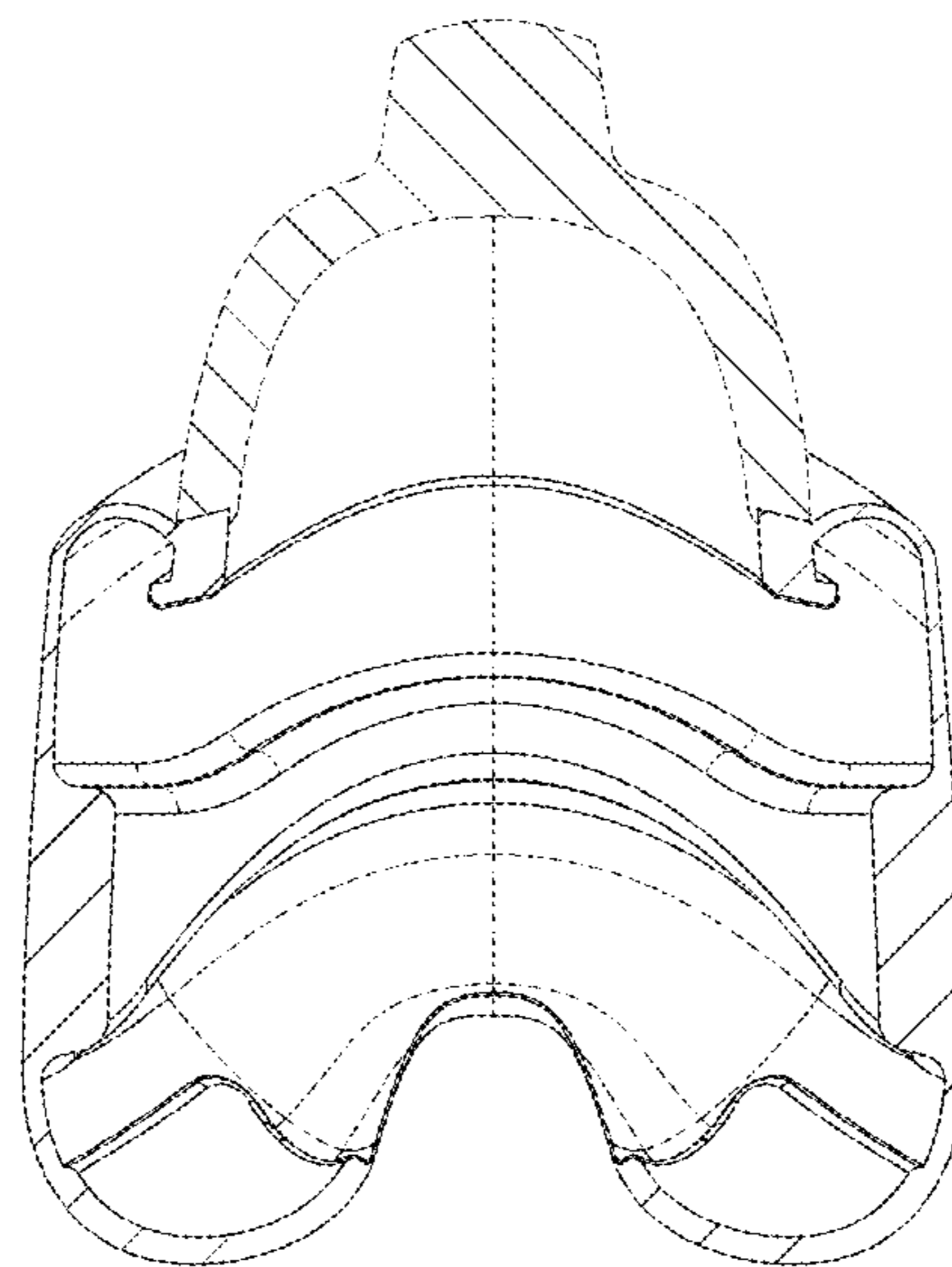


FIG. 10