



US00D770034S

(12) **United States Design Patent** (10) **Patent No.:** **US D770,034 S**  
**McNall, III et al.** (45) **Date of Patent:** **\*\* Oct. 25, 2016**

(54) **LIQUID MEDICAMENT DOSAGE CONTROL AND DELIVERY DEVICE**

(71) Applicant: **BioQuiddity Inc.**, San Francisco, CA (US)

(72) Inventors: **Ralph I. McNall, III**, Belmont, CA (US); **Thomas T. Donze**, San Bruno, CA (US); **Samuel J. Rhodes**, Los Angeles, CA (US)

(73) Assignee: **BioQ Pharma, Inc.**, San Francisco, CA (US)

(\*\*) Term: **15 Years**

(21) Appl. No.: **29/539,021**

(22) Filed: **Sep. 10, 2015**

**Related U.S. Application Data**

(63) Continuation-in-part of application No. 14/593,720, filed on Jan. 9, 2015.

(51) **LOC (10) Cl.** ..... **24-01**

(52) **U.S. Cl.**  
USPC ..... **D24/108; D24/111**

(58) **Field of Classification Search**  
USPC ..... D24/107-108, 111-113, 129, 185, 186  
CPC . A61M 5/142; A61M 5/168; A61M 5/16854  
See application file for complete search history.

(56) **References Cited**

**U.S. PATENT DOCUMENTS**

4,559,038	A *	12/1985	Berg	.....	A61M 5/142	417/474
6,109,895	A	8/2000	Ray et al.			
6,176,845	B1 *	1/2001	Kriesel	.....	A61M 5/141	604/132
6,835,049	B2	12/2004	Ray			
7,169,128	B2	1/2007	Kriesel et al.			
7,220,244	B2	5/2007	Kriesel			

7,220,245	B2	5/2007	Kriesel			
7,316,245	B2	1/2008	Bivin			
7,470,253	B2	12/2008	Kriesel et al.			
7,481,244	B2	1/2009	Bivin			
7,513,273	B2	4/2009	Bivin			
7,694,938	B2	4/2010	Kriesel et al.			
7,735,522	B2	6/2010	Bivin et al.			
7,789,853	B2	9/2010	Kriesel			
7,828,770	B2	11/2010	Bivin et al.			
7,828,772	B2	11/2010	Kriesel et al.			
7,833,195	B2	11/2010	Kriesel et al.			
7,837,653	B2	11/2010	Kriesel et al.			
7,896,843	B2	3/2011	Kriesel et al.			
7,905,859	B2 *	3/2011	Bynum	.....	A61M 5/14244	604/131
D636,271	S	4/2011	Kriesel			

(Continued)

*Primary Examiner* — Barbara Fox

*Assistant Examiner* — Lilyana Bekic

(74) *Attorney, Agent, or Firm* — Thomas W. Galvani, P.C.; Thomas W. Galvani

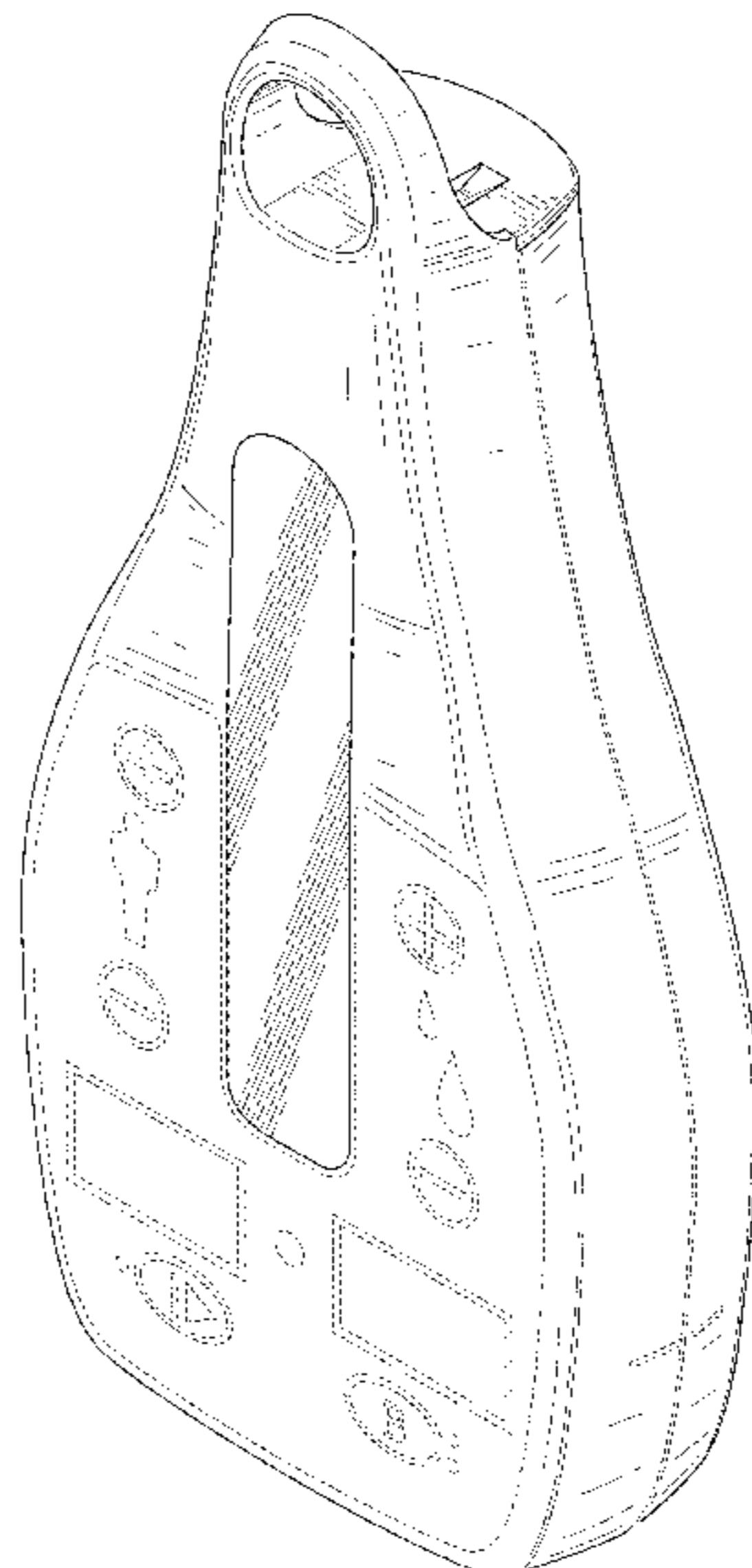
(57) **CLAIM**

The ornamental design for a liquid medicament dosage control and delivery device, as shown and described.

**DESCRIPTION**

FIG. 1 is a front perspective view of a liquid medicament dosage control and delivery device shown in accordance with our new design;  
FIG. 2 is a rear perspective view thereof;  
FIG. 3 is a front elevation view thereof;  
FIG. 4 is a rear elevation view thereof;  
FIG. 5 is a right side elevation view thereof;  
FIG. 6 is a left side elevation view thereof;  
FIG. 7 is a top plan view thereof; and,  
FIG. 8 is a bottom plan view thereof.  
The broken lines in the drawings illustrate portions of the liquid medicament dosage control and delivery device that form no part of the claimed design.

**1 Claim, 6 Drawing Sheets**



(56)

References Cited

U.S. PATENT DOCUMENTS

D637,287 S *	5/2011	Mudd .....	D24/133	8,403,887 B2	3/2013	Kriesel et al.
7,993,304 B2	8/2011	Kriesel et al.		8,480,656 B2	7/2013	Kriesel
8,029,468 B2	10/2011	Kriesel et al.		D689,523 S *	9/2013	Galbraith .....
8,057,435 B2	11/2011	Kriesel et al.		D693,456 S *	11/2013	Amirouche .....
8,083,503 B2	12/2011	Voltenburg, Jr. et al.		8,622,965 B2	1/2014	Kriesel
8,083,717 B2	12/2011	Kriesel		8,672,885 B2	3/2014	Kriesel et al.
8,100,890 B2	1/2012	Kriesel et al.		8,821,454 B2	9/2014	Kriesel et al.
8,105,280 B2	1/2012	Iddan et al.		D745,661 S *	12/2015	Collins .....
8,114,052 B2	2/2012	Bivin et al.		2005/0192561 A1 *	9/2005	Mernoe .....
8,123,723 B2	2/2012	Bivin et al.				A61M 5/14216
8,133,204 B1	3/2012	Kriesel		2009/0099523 A1 *	4/2009	Grant .....
8,142,398 B1	3/2012	Kriesel et al.				A61M 5/14244
8,197,445 B2	6/2012	Kriesel et al.				604/890.1
8,211,059 B2	7/2012	Kriesel et al.		2009/0124994 A1	5/2009	Roe
8,226,609 B2	7/2012	Kriesel et al.		2010/0094251 A1 *	4/2010	Estes .....
8,231,575 B2	7/2012	Kriesel				A61M 5/14244
8,287,521 B2	10/2012	Kriesel et al.		2011/0282284 A1	11/2011	Kriesel et al.
8,292,848 B2	10/2012	Kriesel et al.		2011/0282300 A1	11/2011	Kriesel et al.
8,292,876 B2	10/2012	Kriesel et al.		2012/0130341 A1	5/2012	Whitley
8,317,753 B2	11/2012	Kriesel et al.		2012/0209197 A1 *	8/2012	Lanigan .....
8,377,043 B2	2/2013	Kriesel et al.				A61M 5/1456
8,388,571 B2	3/2013	Joshi et al.		2013/0144254 A1 *	6/2013	Amirouche .....
8,388,578 B2	3/2013	Joshi et al.				A61M 5/1413
				2013/0296803 A1	11/2013	Kriesel
				2016/0199568 A1 *	7/2016	McNall, III .....
						A61M 5/16854
						604/67

\* cited by examiner

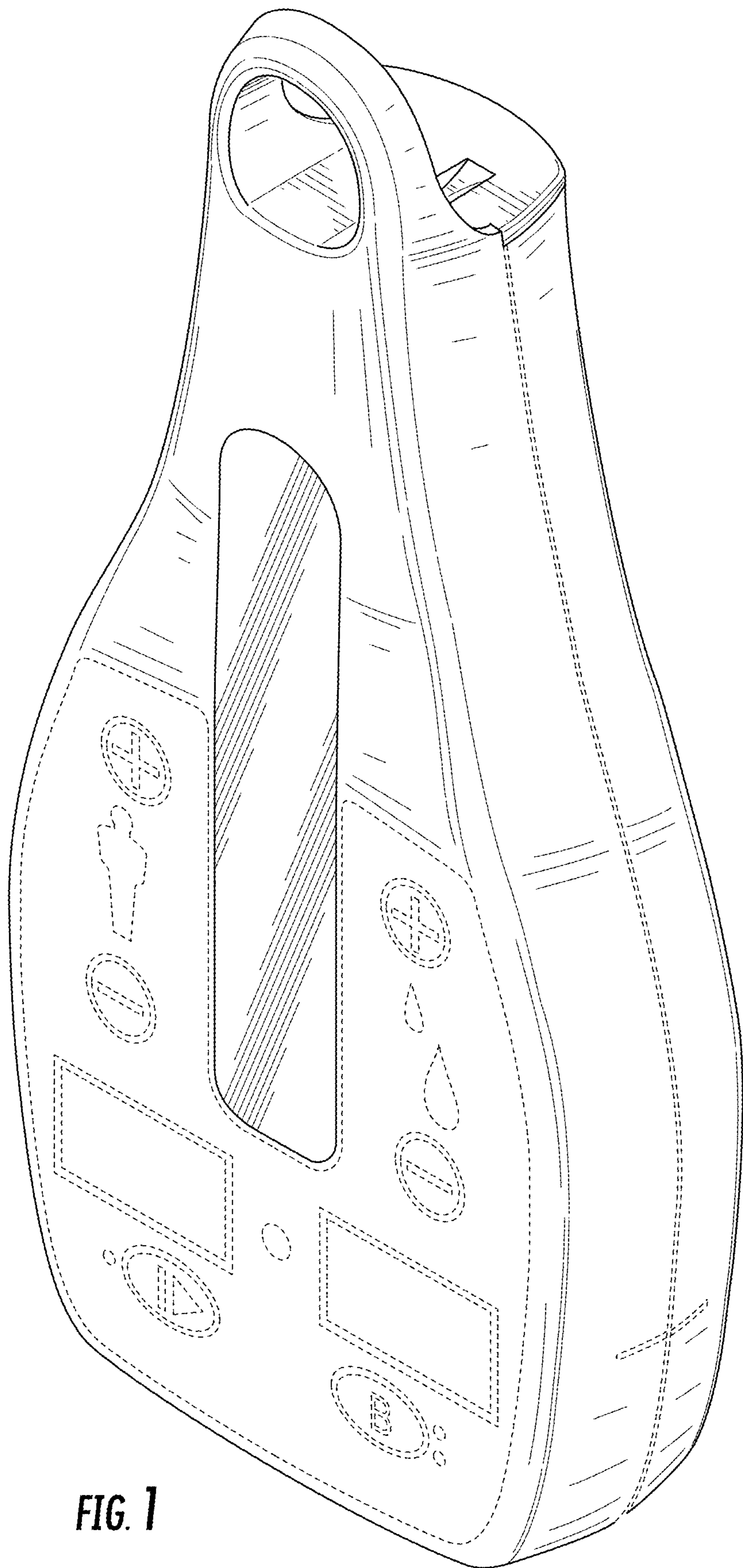


FIG. 1

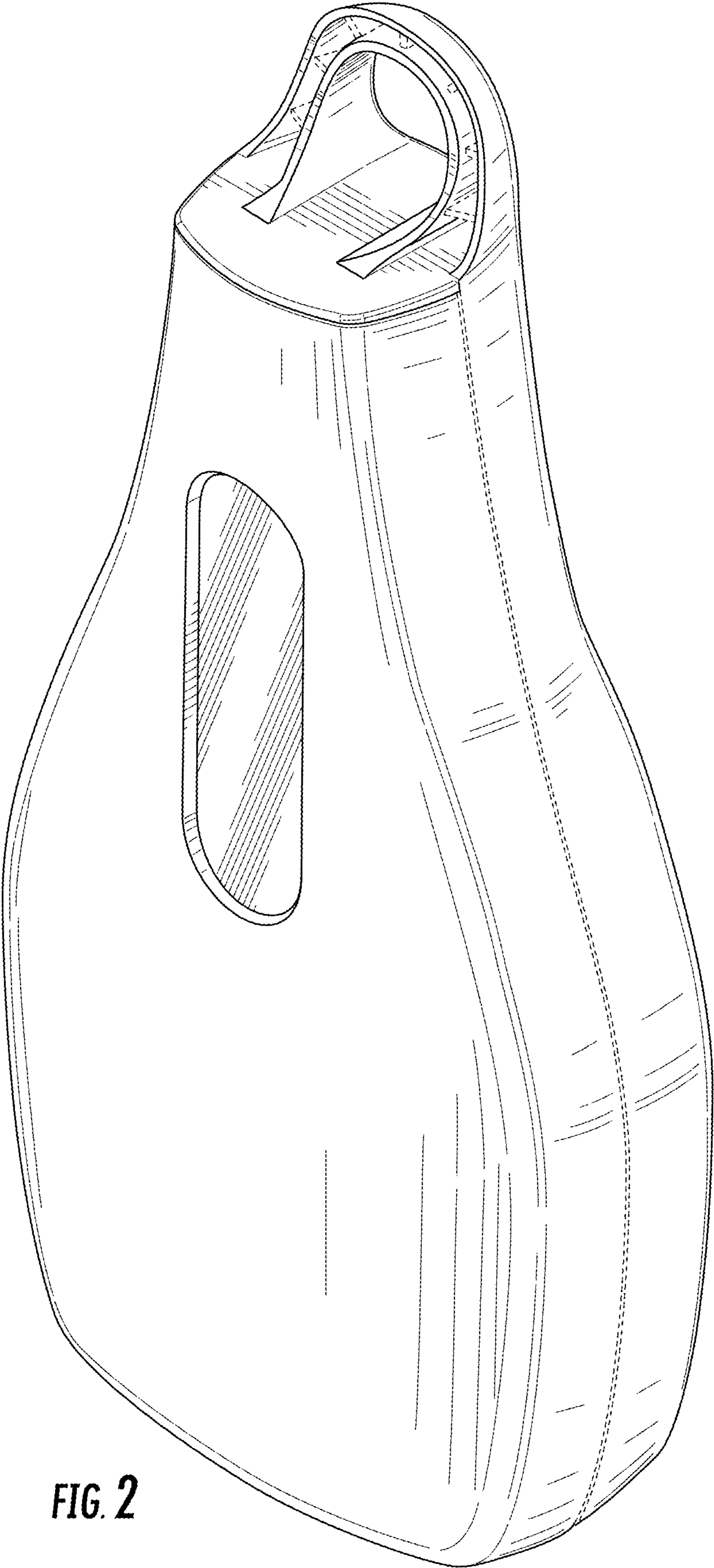


FIG. 2

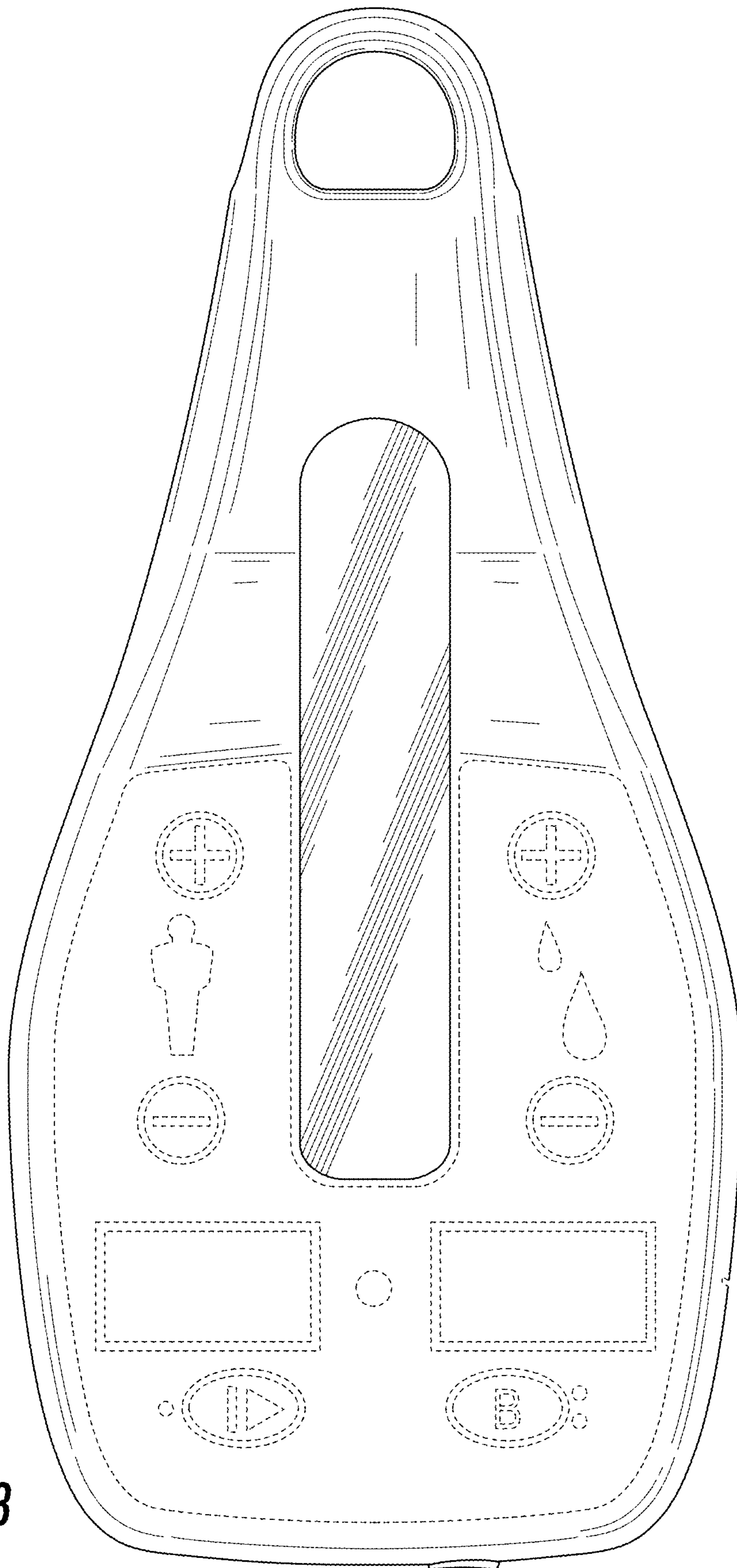


FIG. 3

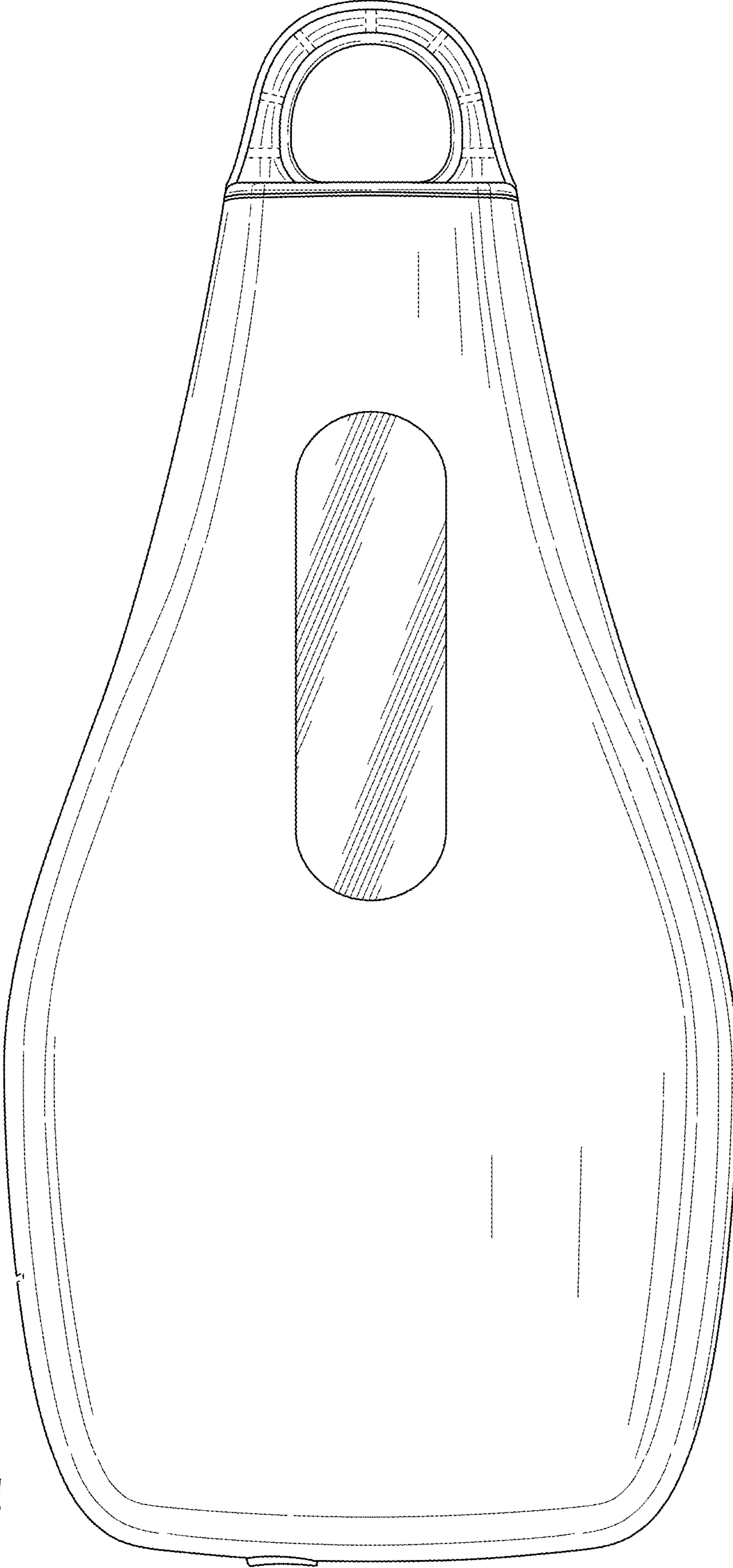
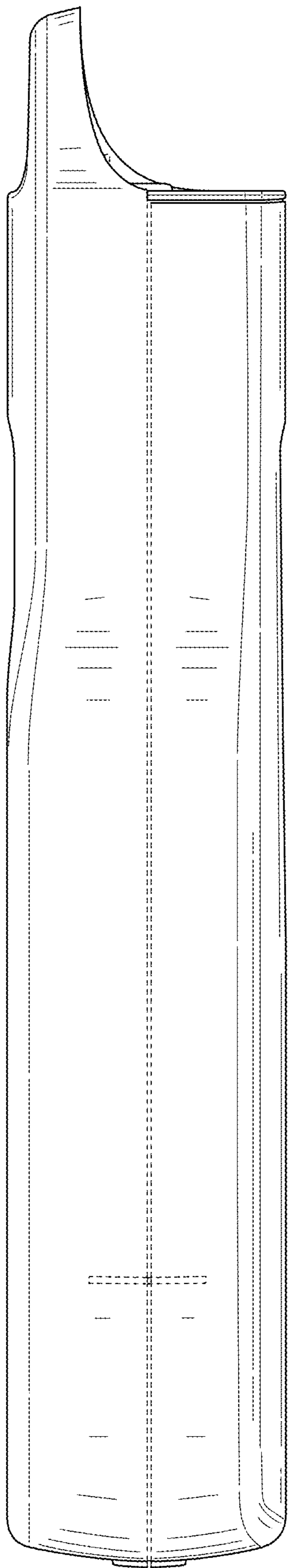
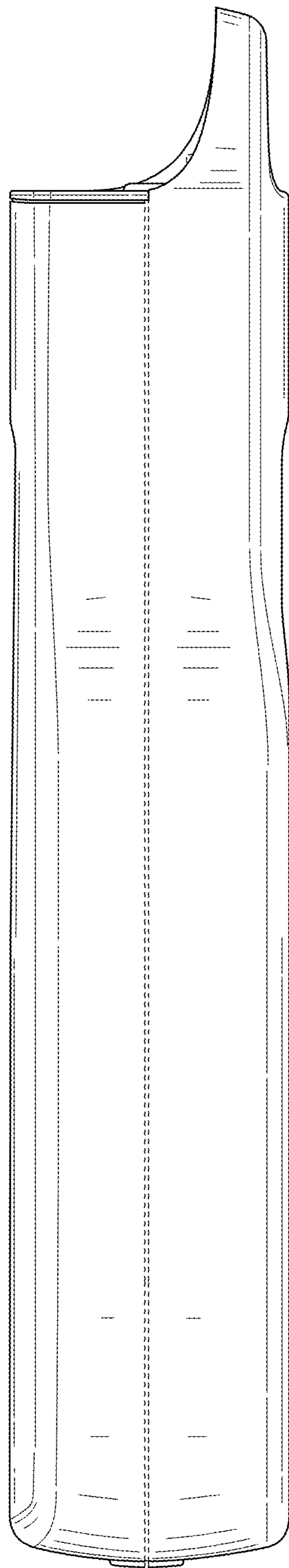


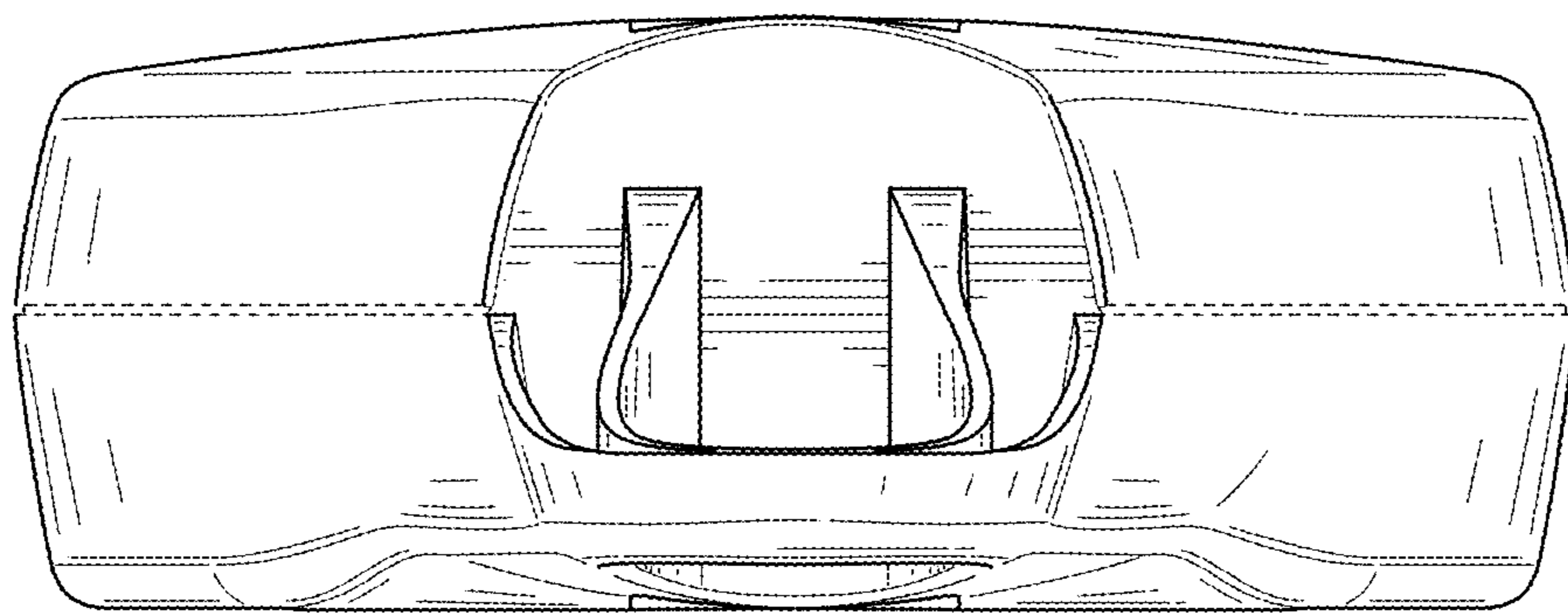
FIG. 4



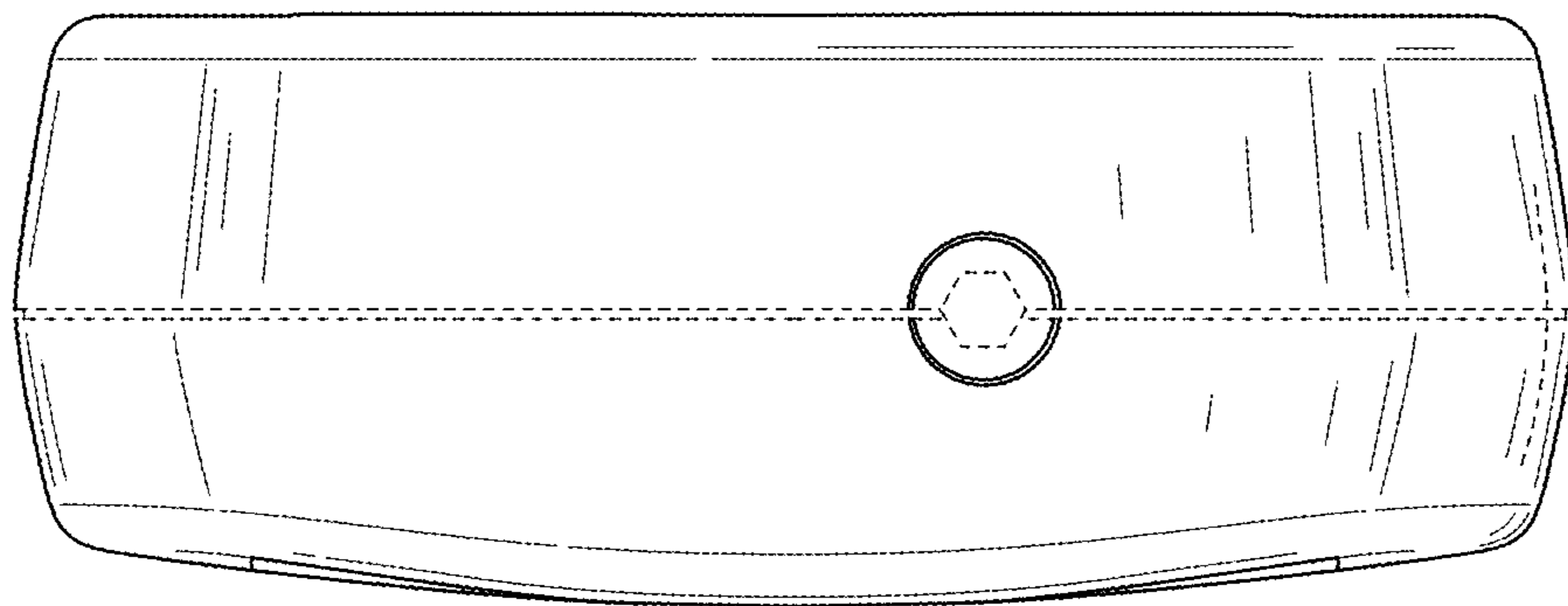
**FIG. 5**



**FIG. 6**



**FIG. 7**



**FIG. 8**