



US00D770033S

(12) **United States Design Patent** (10) **Patent No.:** **US D770,033 S**
Ksiazek (45) **Date of Patent:** **** Oct. 25, 2016**

(54) **MOUNTING CLIP FOR PORTABLE FAN**
(71) Applicant: **O2COOL, LLC**, Chicago, IL (US)
(72) Inventor: **Michael Ksiazek**, Burr Ridge, IL (US)
(73) Assignee: **O2COOL, LLC**, Chicago, IL (US)
(**) Term: **14 Years**

D542,402 S * 5/2007 Abell D23/382
D550,551 S * 9/2007 Howard D8/395
D552,461 S * 10/2007 Oas D6/326
D563,779 S * 3/2008 Yip D8/395
D565,662 S * 4/2008 Reardon D19/65
D598,279 S * 8/2009 Seehoff D8/395
D599,651 S * 9/2009 Riggsbee D8/395
D602,656 S * 10/2009 Fuhrer D30/162
8,123,290 B1 * 2/2012 Aiken A47C 7/744
297/180.1

(Continued)

(21) Appl. No.: **29/514,956**

(22) Filed: **Jan. 19, 2015**

(51) **LOC (10) Cl.** **23-04**

(52) **U.S. Cl.**

USPC **D23/411**; D8/395

(58) **Field of Classification Search**

USPC D23/411, 379, 382, 370; D11/200, 215,
D11/217; D13/149; D8/349, 382, 394, 395;
D19/65, 86; D2/916, 917, 624, 631,
D2/639, 978; D28/40

CPC F04D 29/601; F04D 29/646; F04D 25/08;
F16M 13/022; F16M 13/02; F16M 11/10;
F16M 11/12; F16M 11/2014; F16M 11/18;
F16M 11/40

See application file for complete search history.

(56) **References Cited**

U.S. PATENT DOCUMENTS

D238,625 S * 2/1976 York, Jr. D2/917
D247,832 S * 5/1978 Glasgow D2/952
D278,946 S * 5/1985 Chen D2/917
4,799,858 A * 1/1989 Shin-Chin F04D 29/646
248/231.51
D302,568 S * 8/1989 Berger D19/65
D342,597 S * 12/1993 Clark D2/898
D348,902 S * 7/1994 Beyer D19/65
5,725,356 A * 3/1998 Carter F04D 25/08
416/240
D399,644 S * 10/1998 Ball D2/952
D435,899 S * 1/2001 Melwani D23/382
D441,444 S * 5/2001 Shapiro D23/382
D449,918 S * 11/2001 Boncutter D2/916
D461,552 S * 8/2002 Wright D23/379
D512,906 S * 12/2005 Wood D8/395
D525,117 S * 7/2006 Mariano D8/395

OTHER PUBLICATIONS

Diono-Stroller Fan—Walmart.com. Purchased as early as Nov. 2012 [retrieved May 16, 2016] from Internet http://www.walmart.com/ip/Diono-Stroller-Fan/17747628?action=product_interest&action_type=title&item_id=17747628&placement_id=irs-106-m2&strategy=TIC&visitor_id=&category=&client_guid=79e30bf2-7053-4b12-b2c2-be29ebf729fc&customer_id_enc&config_id=106&parent_item_id=42890365&parent_anchor_item_id=42890365&guid=334b8d65-7c38-4b07-95e8-0a29095996bc&bucket_id=irsbucketdefault&beacon_version=1.0.1&findingMethod=p13n.*

(Continued)

Primary Examiner — Susan Bennett Hattan

Assistant Examiner — Marie Fast Horse

(74) *Attorney, Agent, or Firm* — Thompson Coburn LLP

(57) **CLAIM**

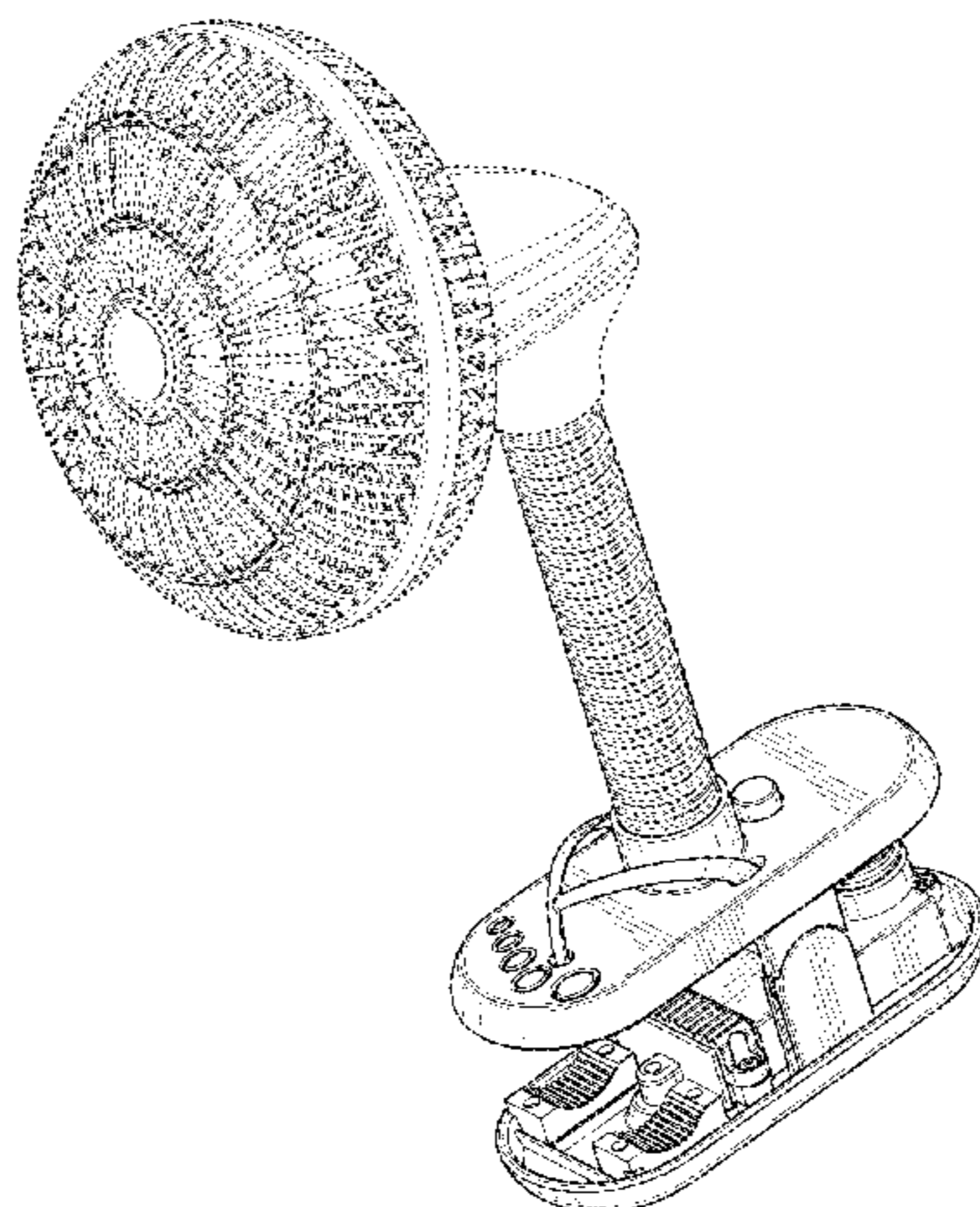
I claim the ornamental design for a mounting clip for portable fan, as shown and described.

DESCRIPTION

FIG. 1 is a front right corner perspective view of the mounting clip for portable fan;
FIG. 2 is a bottom left corner perspective view of the inventive device;
FIG. 3 is a front view thereof;
FIG. 4 is a rear view thereof;
FIG. 5 is a left side view thereof;
FIG. 6 is a right side view thereof;
FIG. 7 is a top view thereof;
FIG. 8 is a bottom view thereof.

The broken lines in the drawings depict environmental subject matter only and form no part of the claimed design.

1 Claim, 8 Drawing Sheets



(56)

References Cited

OTHER PUBLICATIONS

U.S. PATENT DOCUMENTS

D667,724 S * 9/2012 Mangano D8/395
D669,976 S * 10/2012 Hsu D23/382
D670,371 S * 11/2012 Hsu D23/379
D675,312 S * 1/2013 Zhu D23/370
D684,924 S * 6/2013 Herbst D13/103
D697,395 S * 1/2014 Adams D8/387
D701,004 S * 3/2014 Maguire D30/129
D714,681 S * 10/2014 Katz D11/215
D727,001 S * 4/2015 Goldie D2/899
D731,055 S * 6/2015 Hyde D24/143
D735,978 S * 8/2015 Abidoye D2/899
D736,503 S * 8/2015 Najjar D2/899
D751,890 S * 3/2016 Dubble D8/395

Stripe Flip Flop Boca Clips in Blue (Set of 2). bedbathandbeyond.com. (online) 1 page. May 20, 2014 [retrieved on May 16, 2016]. Retrieved from Internet: http://www.bedbathandbeyond.com/store/product/stripe-flip-flop-boca-clips-reg-in-blue-set-of-2/1042512301?Keyword=boca+clip.*
The Clip Fan CN303369667 Wang Dongni. (Design -© Questel). orbit.com [online PDF] 3 pages. registered Sep. 9, 2015 [retrieved on May 17, 2016]. Retrieved from Internet: https://sobjprd.questel.fr/export/QPTUJ214/pdf2/69b4ad72-35b7-4984-ae6a-d84c3a595777-161519.pdf.*

* cited by examiner

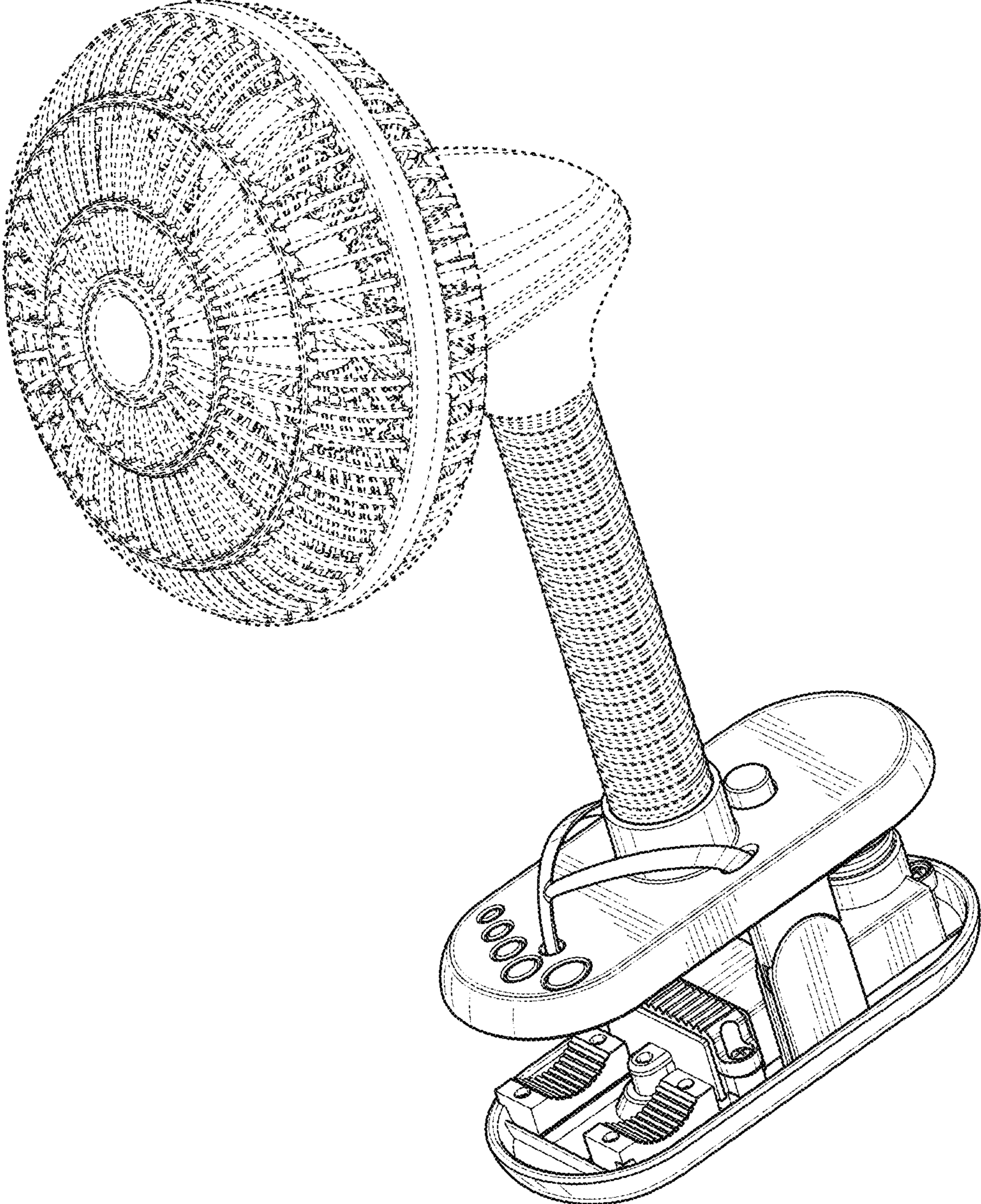


FIG. 1

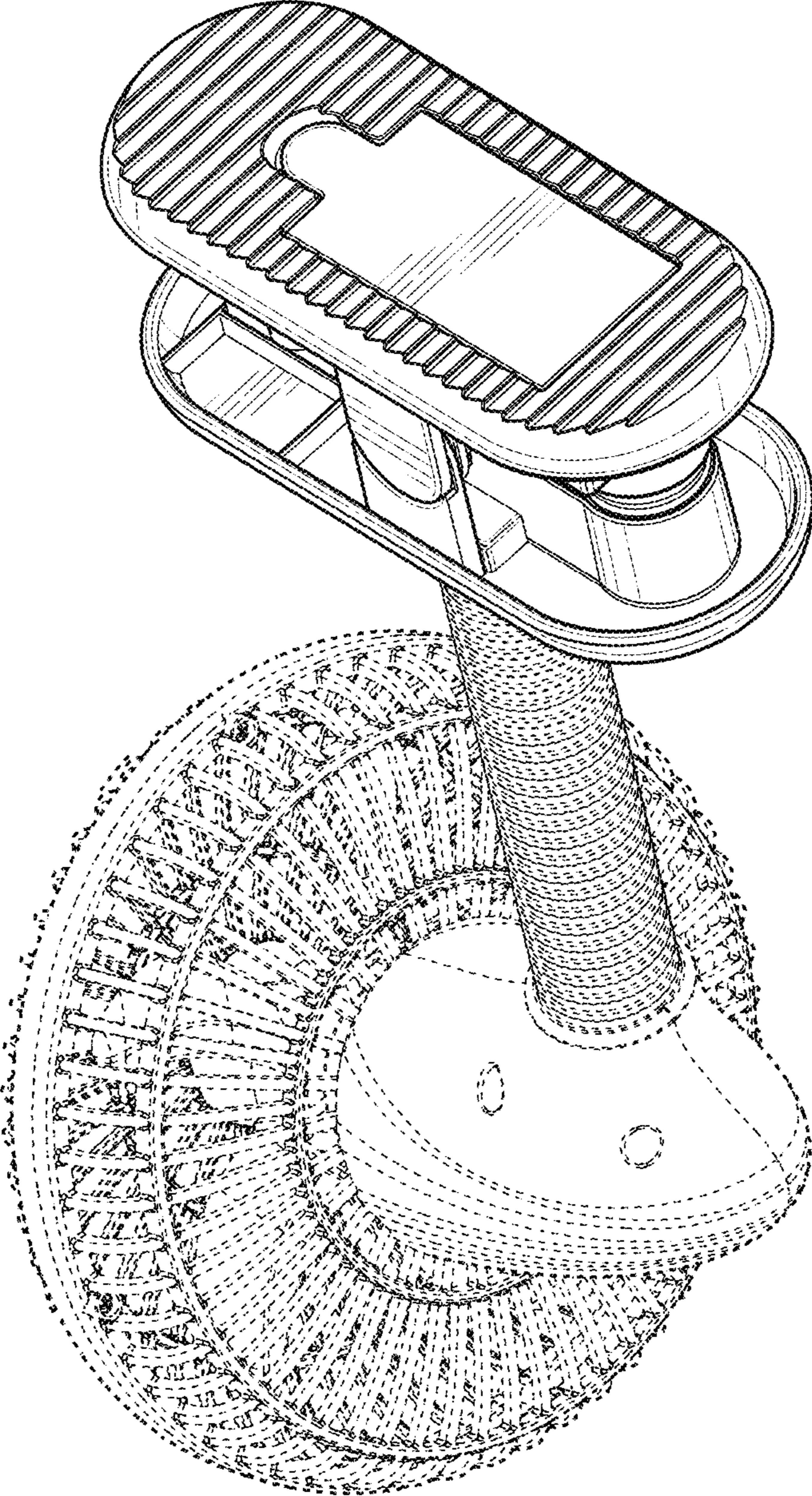


FIG. 2

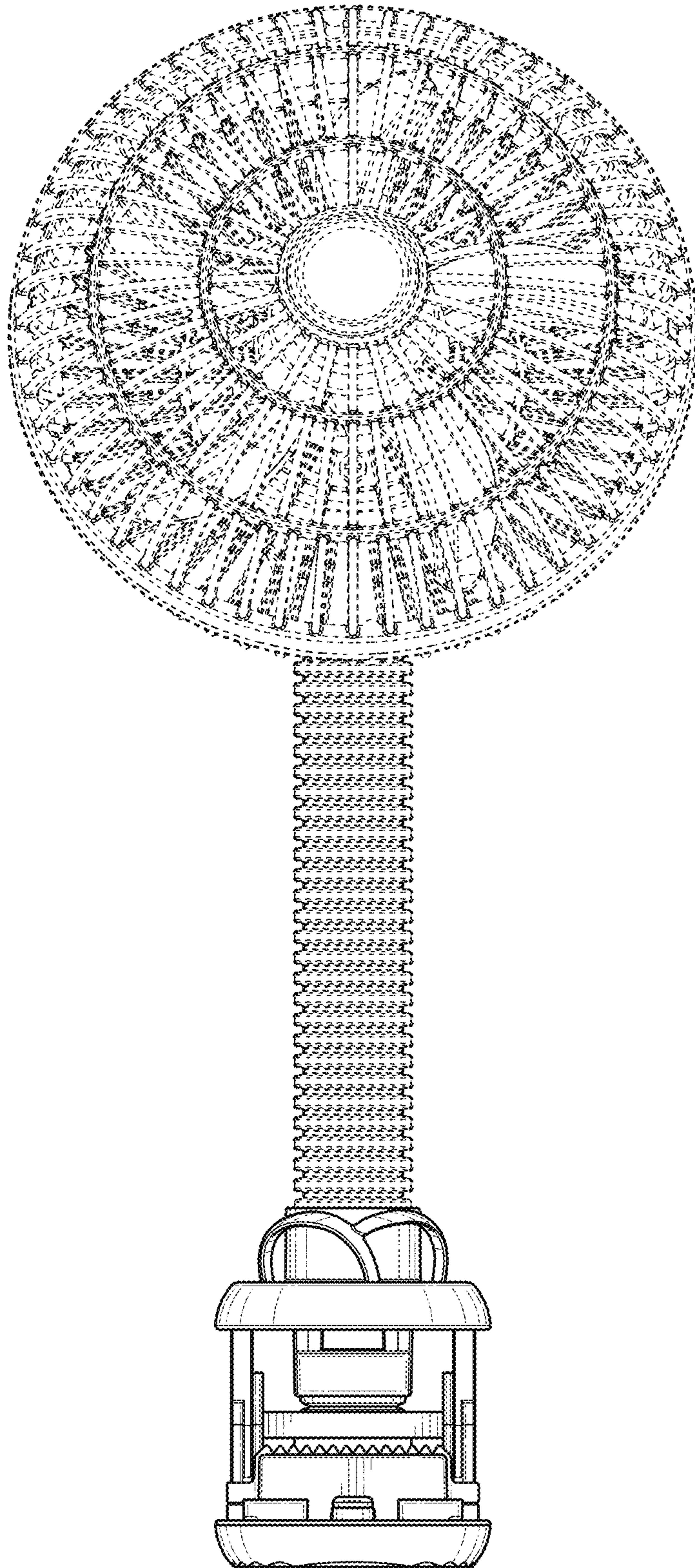


FIG. 3

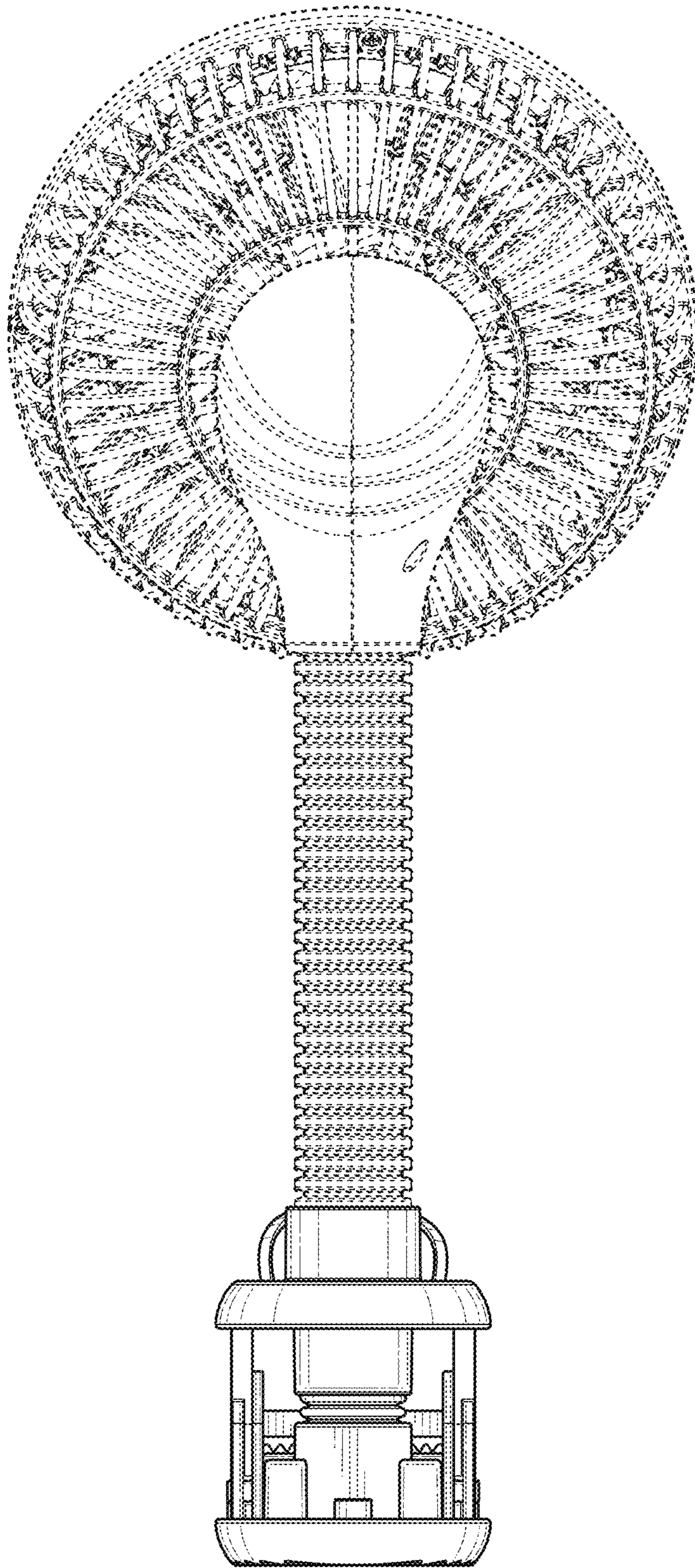


FIG. 4

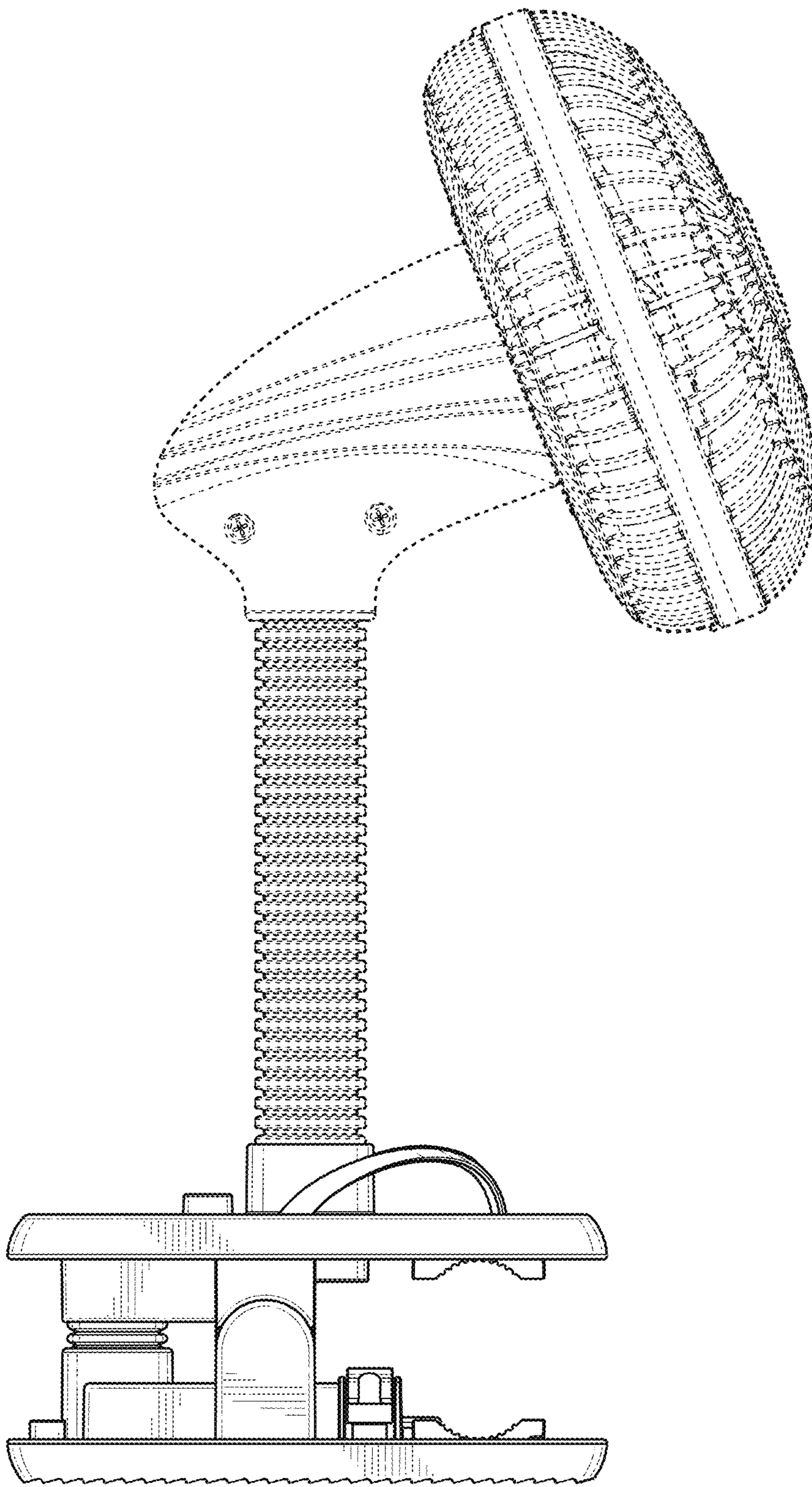


FIG. 5

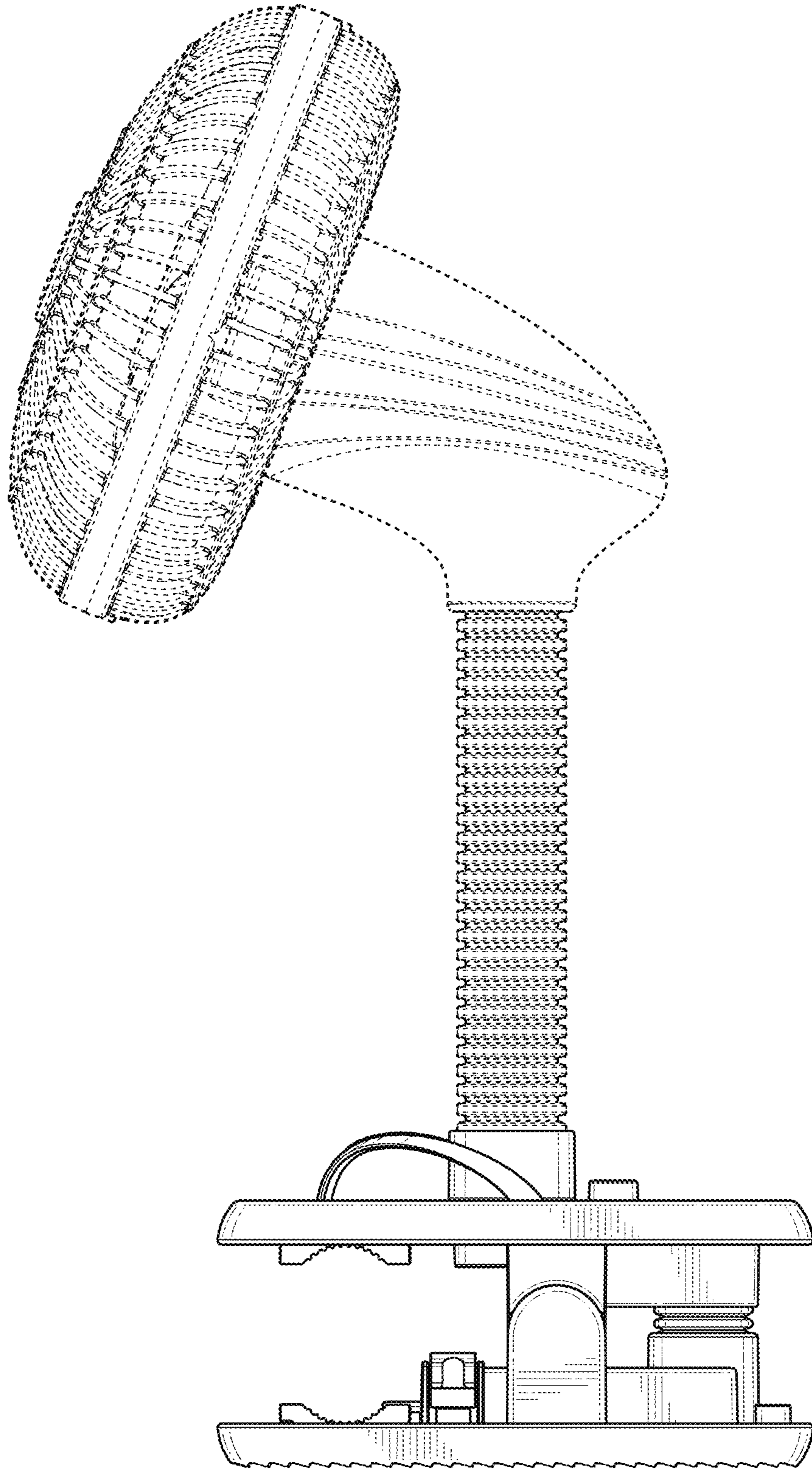


FIG. 6

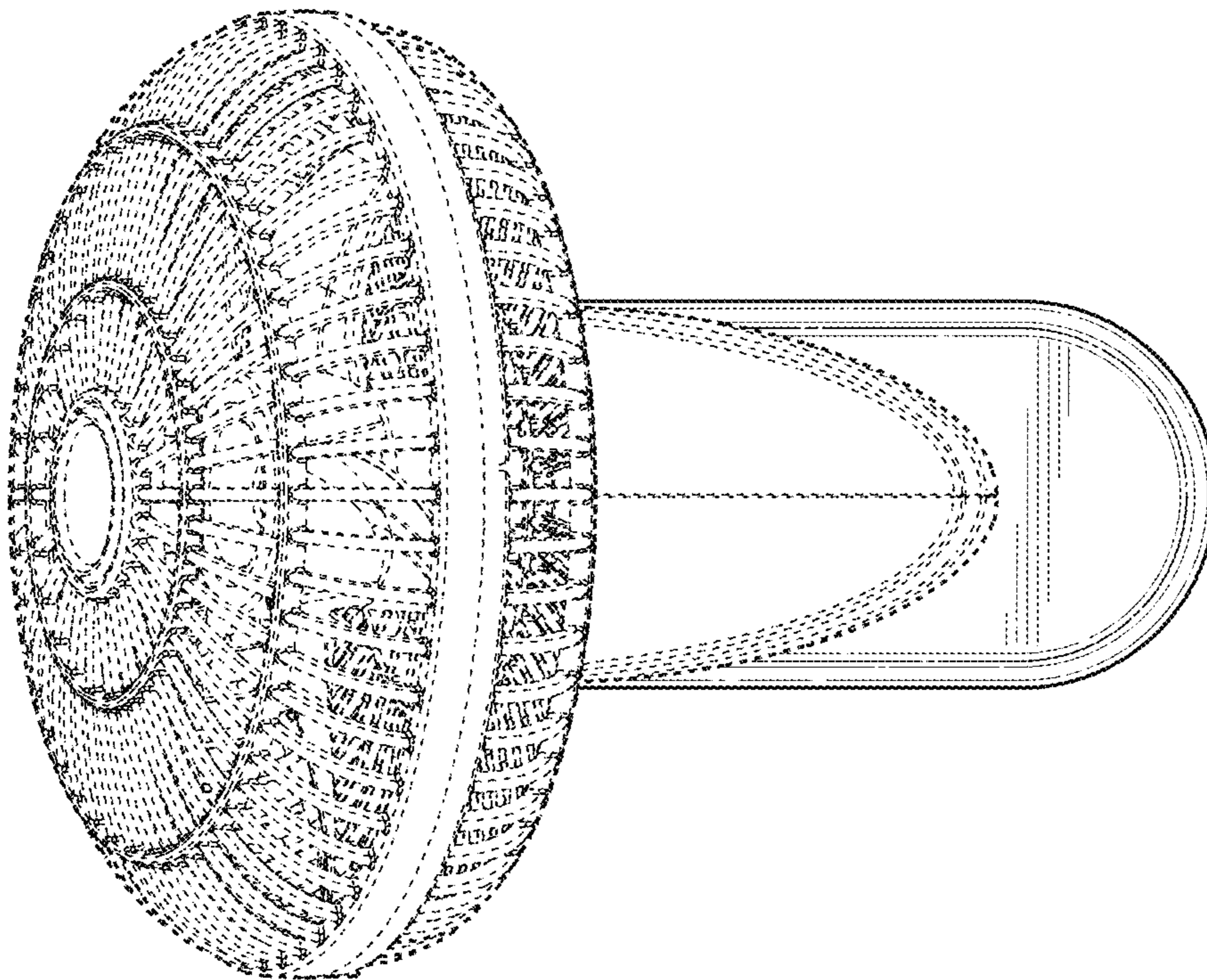


FIG. 7

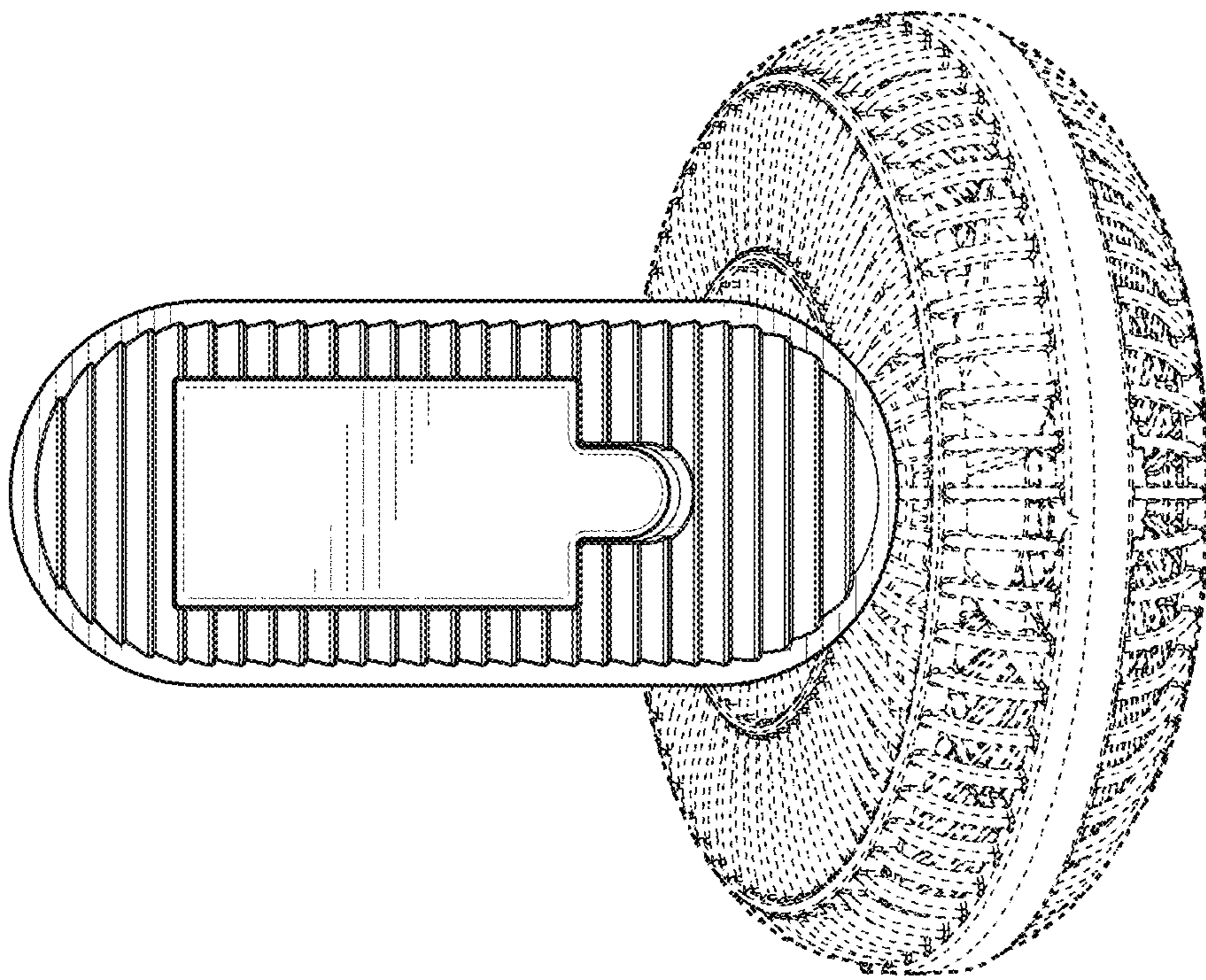


FIG. 8