



US00D770031S

(12) **United States Design Patent** (10) **Patent No.:** **US D770,031 S**
Stevens (45) **Date of Patent:** **** Oct. 25, 2016**

(54) **HVAC ANGLED RETURN AIR BOX WITH A SQUARE THROAT**

(71) Applicant: **Craig Stevens**, Rochester, NY (US)

(72) Inventor: **Craig Stevens**, Rochester, NY (US)

(**) Term: **14 Years**

(21) Appl. No.: **29/510,836**

(22) Filed: **Dec. 3, 2014**

Related U.S. Application Data

(63) Continuation-in-part of application No. 29/497,582, filed on Jul. 25, 2014, now Pat. No. Des. 755,366, and a continuation-in-part of application No. 29/497,576, filed on Jul. 25, 2014, now Pat. No. Des. 755,365.

(51) **LOC (10) Cl.** **23-04**

(52) **U.S. Cl.**
USPC **D23/393**

(58) **Field of Classification Search**
USPC D23/385-395, 397, 370-373, 365, 354, D23/399-403, 421, 499; 285/229, 189, 183, 285/123.1, 15, 114, 110, 424, 197; 454/309, 275-277, 284, 287-291, 454/358-363; 52/302.1, 32.07
CPC F26B 3/04; F26B 21/004; E04B 5/48; F24D 5/02
See application file for complete search history.

(56) **References Cited**

U.S. PATENT DOCUMENTS

D80,763 S	3/1930	Betz	
D124,294 S *	12/1940	Leslie D23/373
2,300,842 A *	11/1942	Leslie E04D 13/17 454/361
2,447,472 A	8/1948	Donley	
D155,345 S *	9/1949	Johnson D23/373
2,741,972 A	4/1956	Pryne	
D192,946 S	5/1962	Parsons	

D226,609 S *	4/1973	Drew D23/373
3,742,659 A *	7/1973	Drew F24F 13/00 285/44
3,919,927 A	11/1975	Bernard	
D295,216 S *	4/1988	Morris	
D304,367 S *	10/1989	Saas D23/373
5,344,363 A *	9/1994	Pollock B65D 90/34 137/527.8
D378,125 S	2/1997	Vannier	
5,775,988 A *	7/1998	Eakin F24F 11/047 454/253
D397,202 S	8/1998	Saar	
D448,468 S	9/2001	Koessler	
7,334,420 B1	2/2008	Garris	
8,152,607 B2 *	4/2012	Carrig B08B 15/00 454/49
D674,077 S	1/2013	Miyake	
D675,719 S *	2/2013	Eicher D23/373
D705,419 S *	5/2014	Leonard D23/373
9,080,779 B1 *	7/2015	Leonard F24F 7/02
2006/0025067 A1	2/2006	Koessler	
2010/0051010 A1 *	3/2010	Colburn F24C 15/2028 126/299 D
2015/0241122 A1	8/2015	Cross	

* cited by examiner

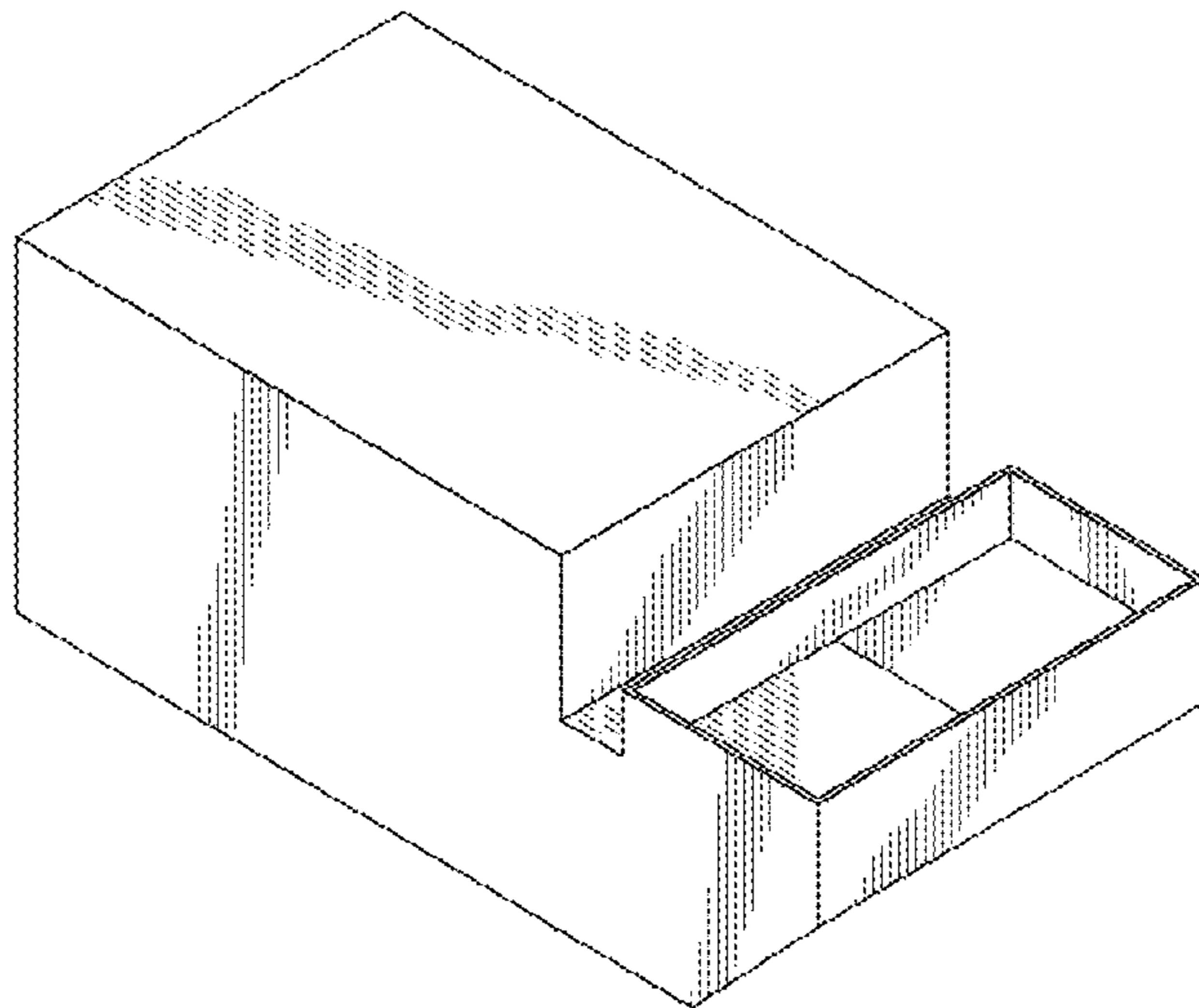
Primary Examiner — David Muller
Assistant Examiner — Nathan Johnston
(74) *Attorney, Agent, or Firm* — Hulsey, P.C.

(57) **CLAIM**
The ornamental design for an HVAC angled return air box with a square throat, as shown and described.

DESCRIPTION

FIG. 1 depicts an isometric view of an HVAC angled return air box with a square throat showing my new design. FIG. 2 depicts an alternative isometric view thereof. FIG. 3 depicts a side elevation view thereof. FIG. 4 depicts a side elevation view thereof. FIG. 5 depicts a side elevation view thereof. FIG. 6 depicts a top plan view thereof; and, FIG. 7 depicts a bottom plan view thereof.

1 Claim, 7 Drawing Sheets



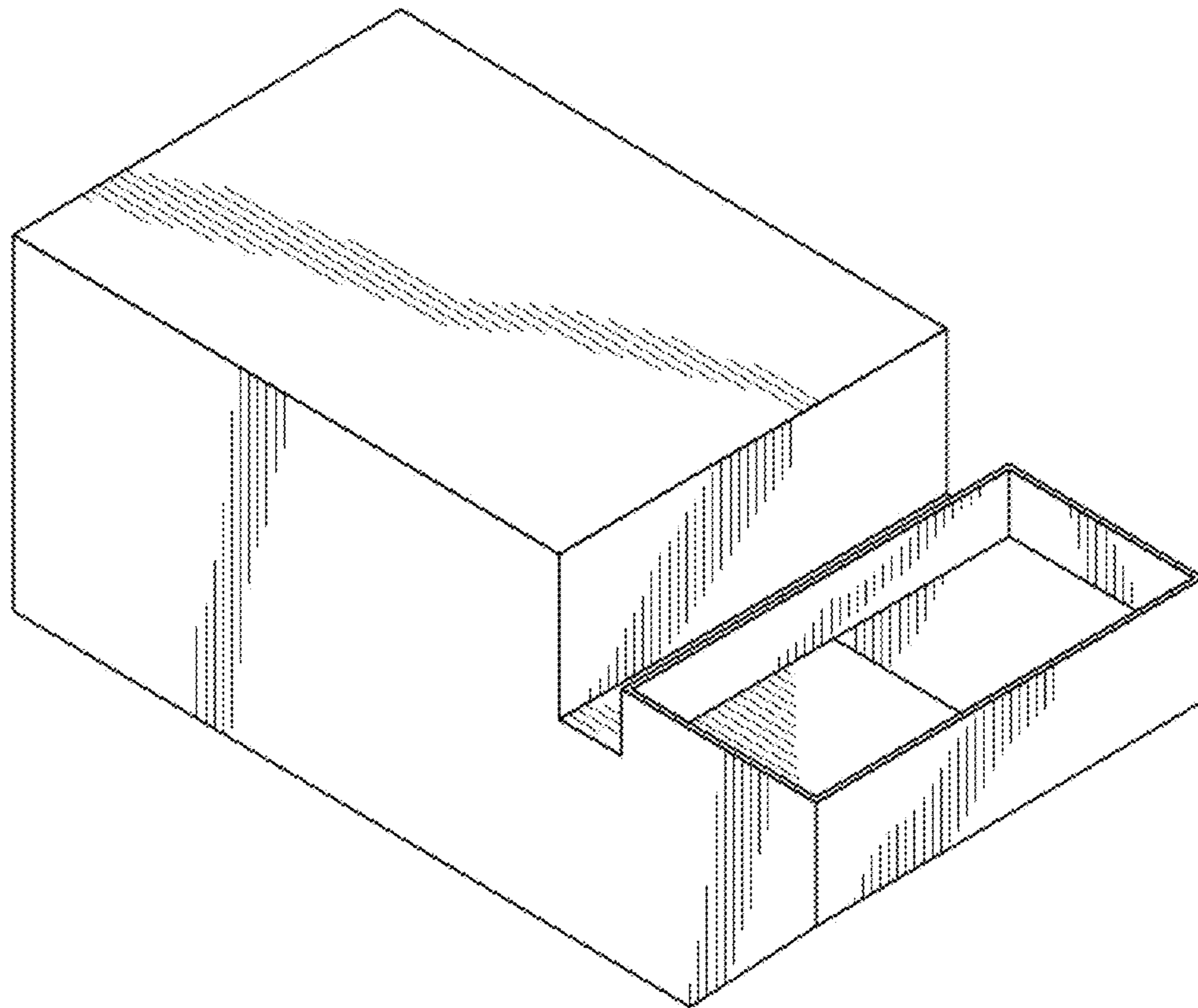


FIG. 1

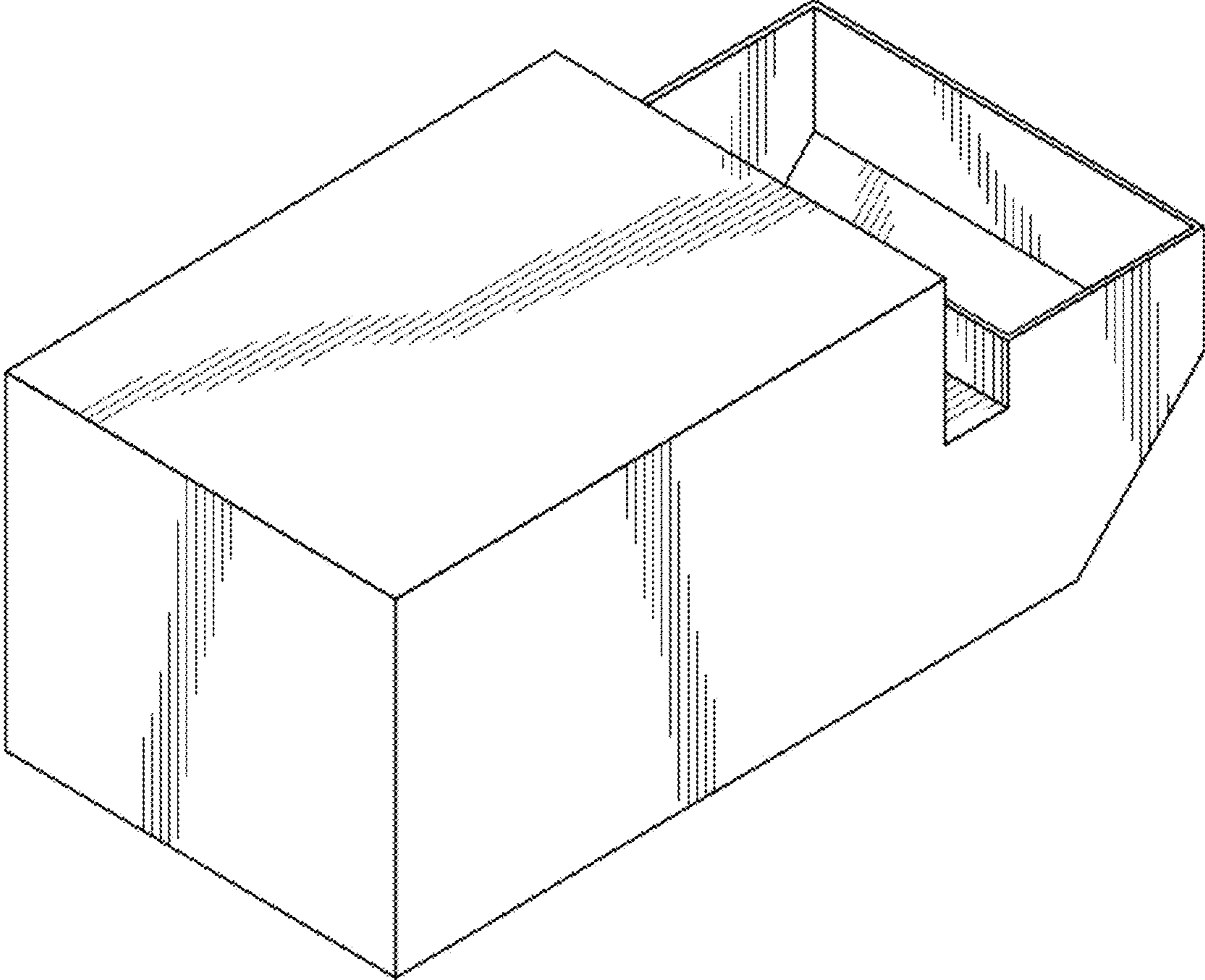


FIG. 2

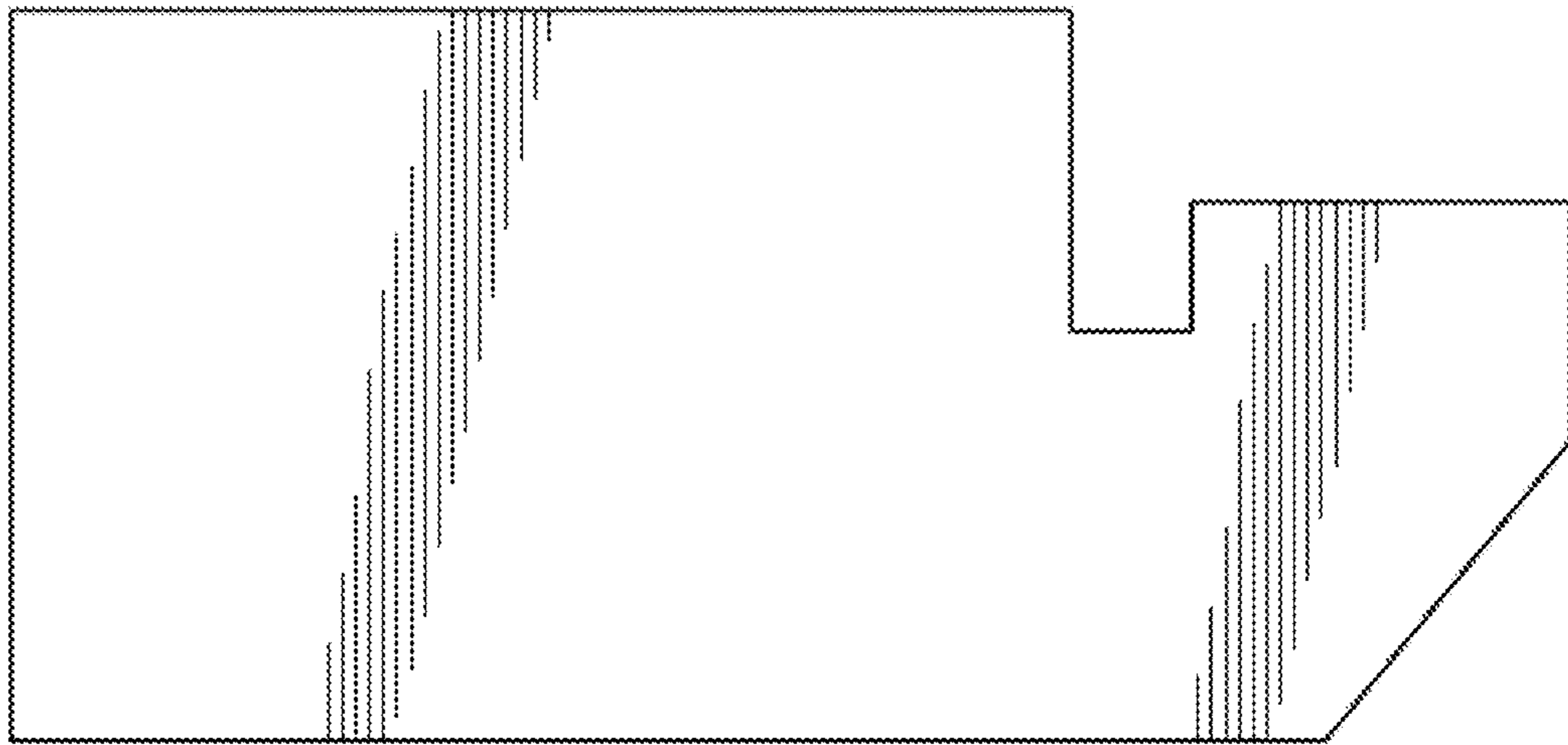


FIG. 3

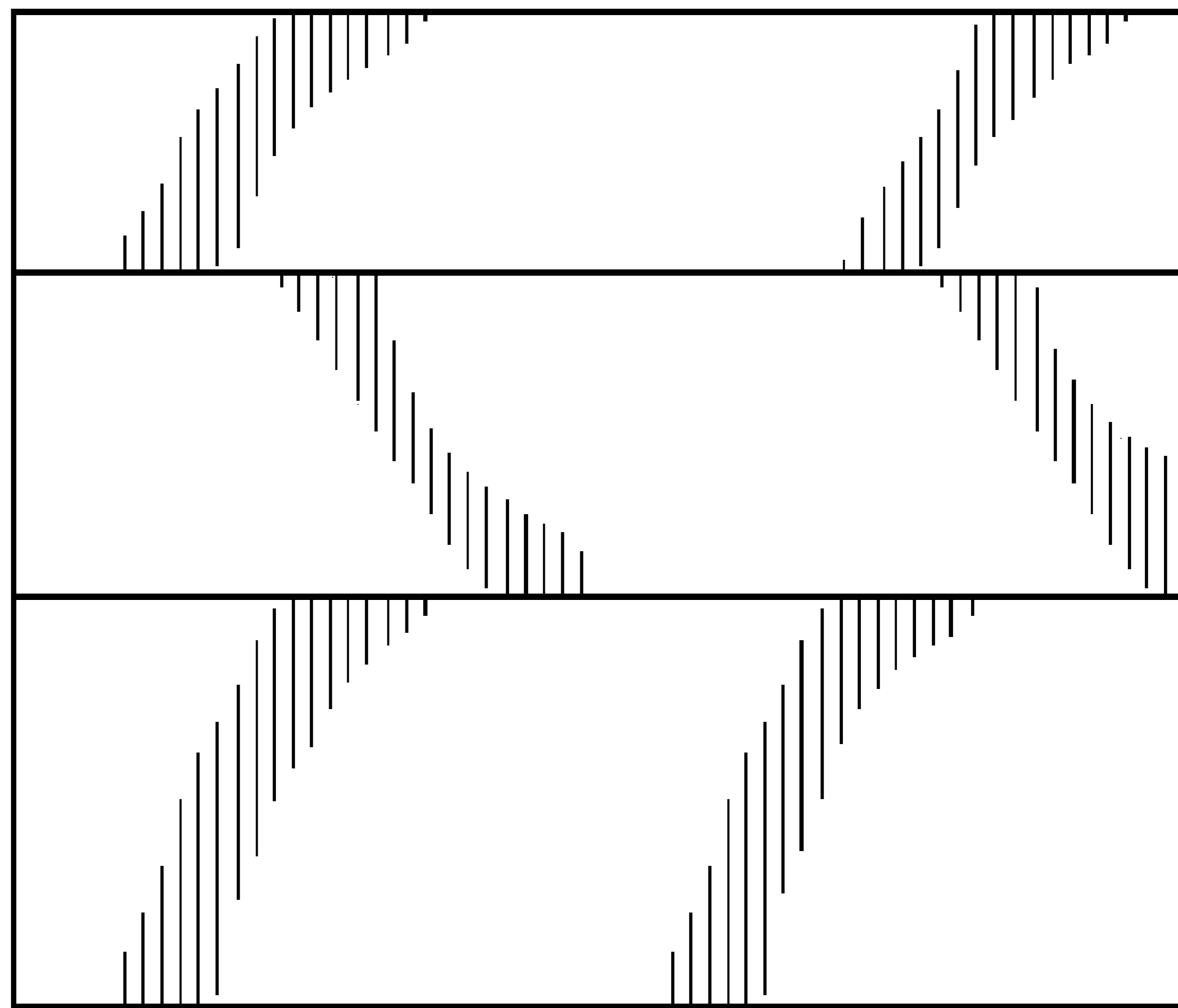


FIG. 4

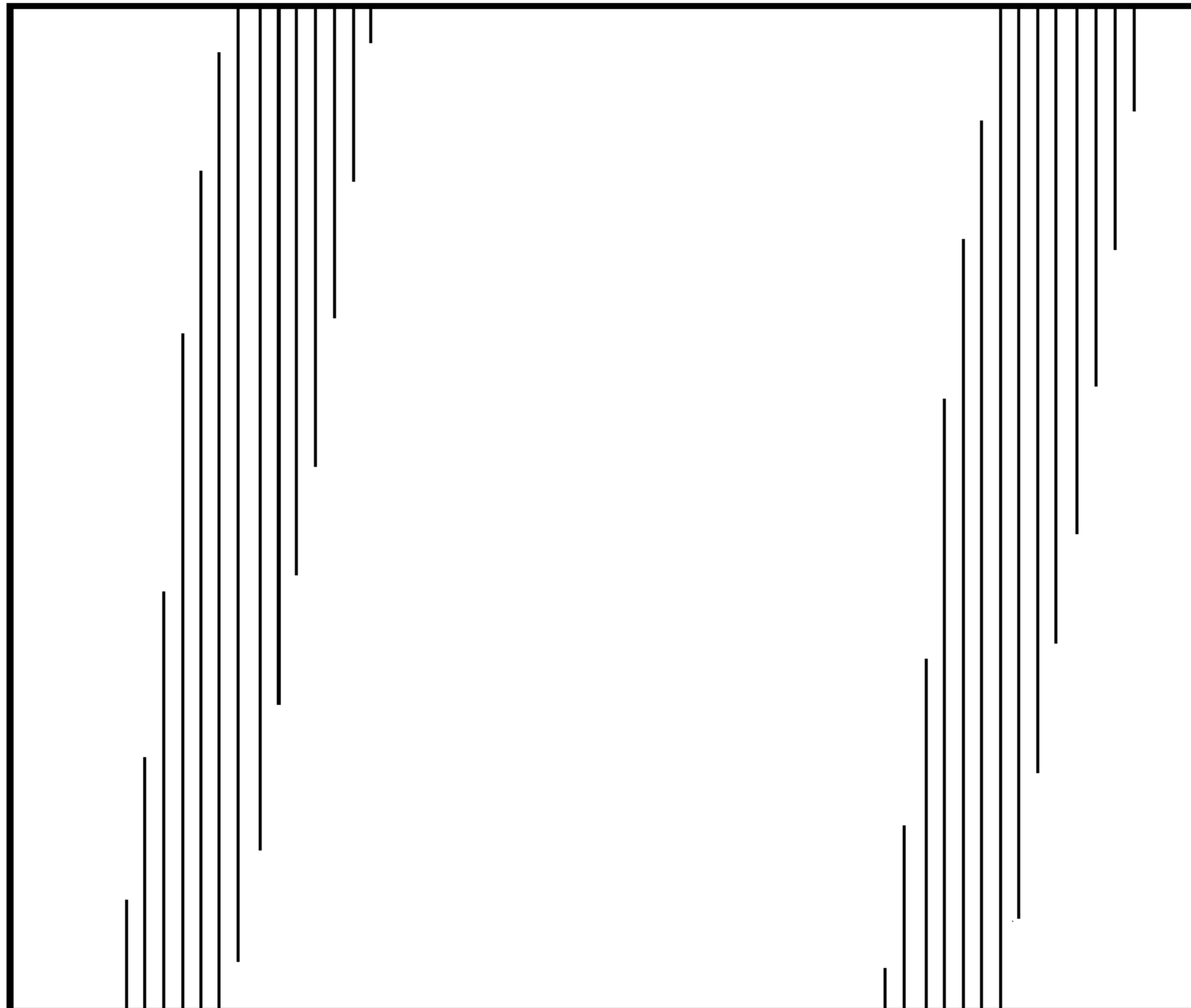


FIG. 5

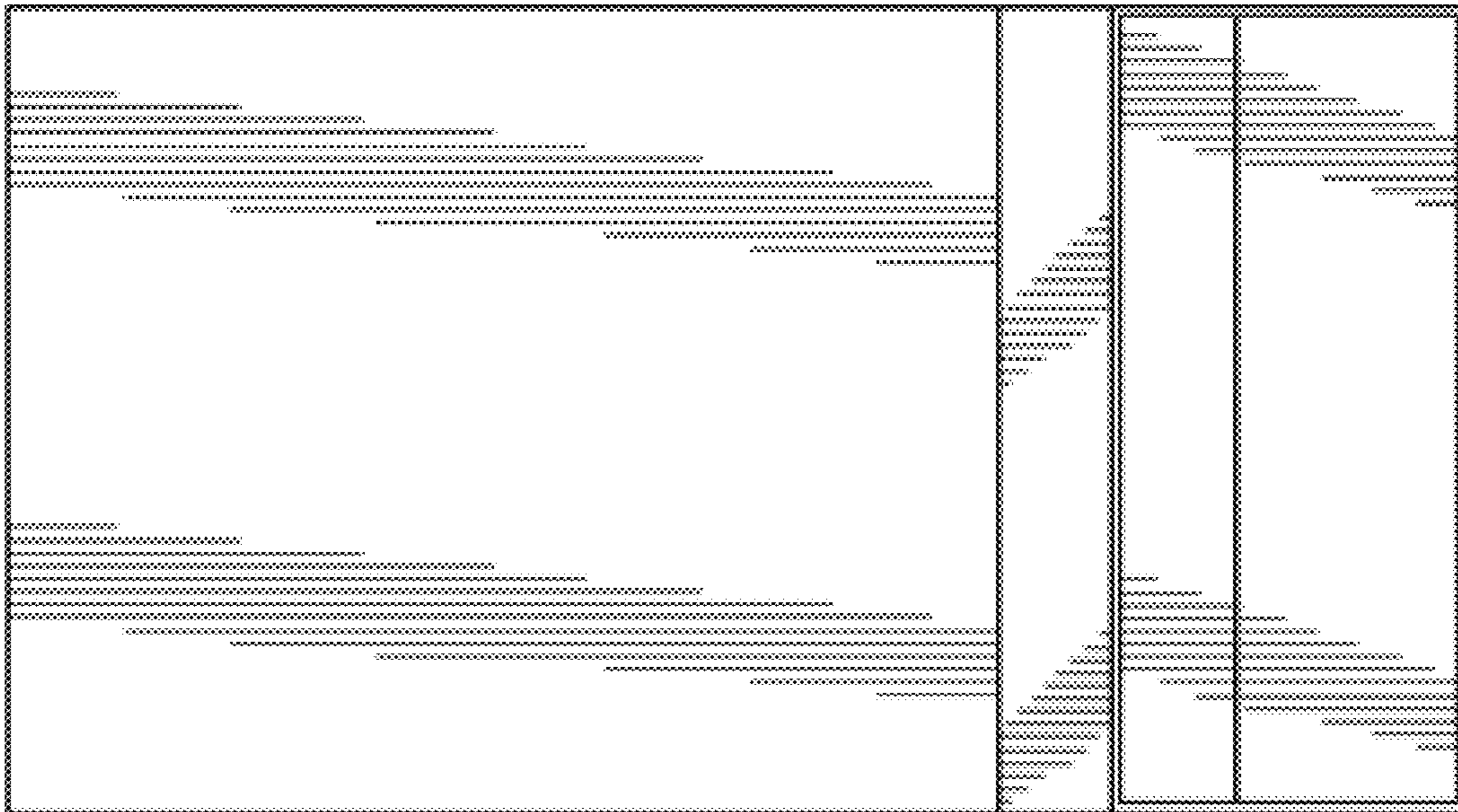


FIG. 6

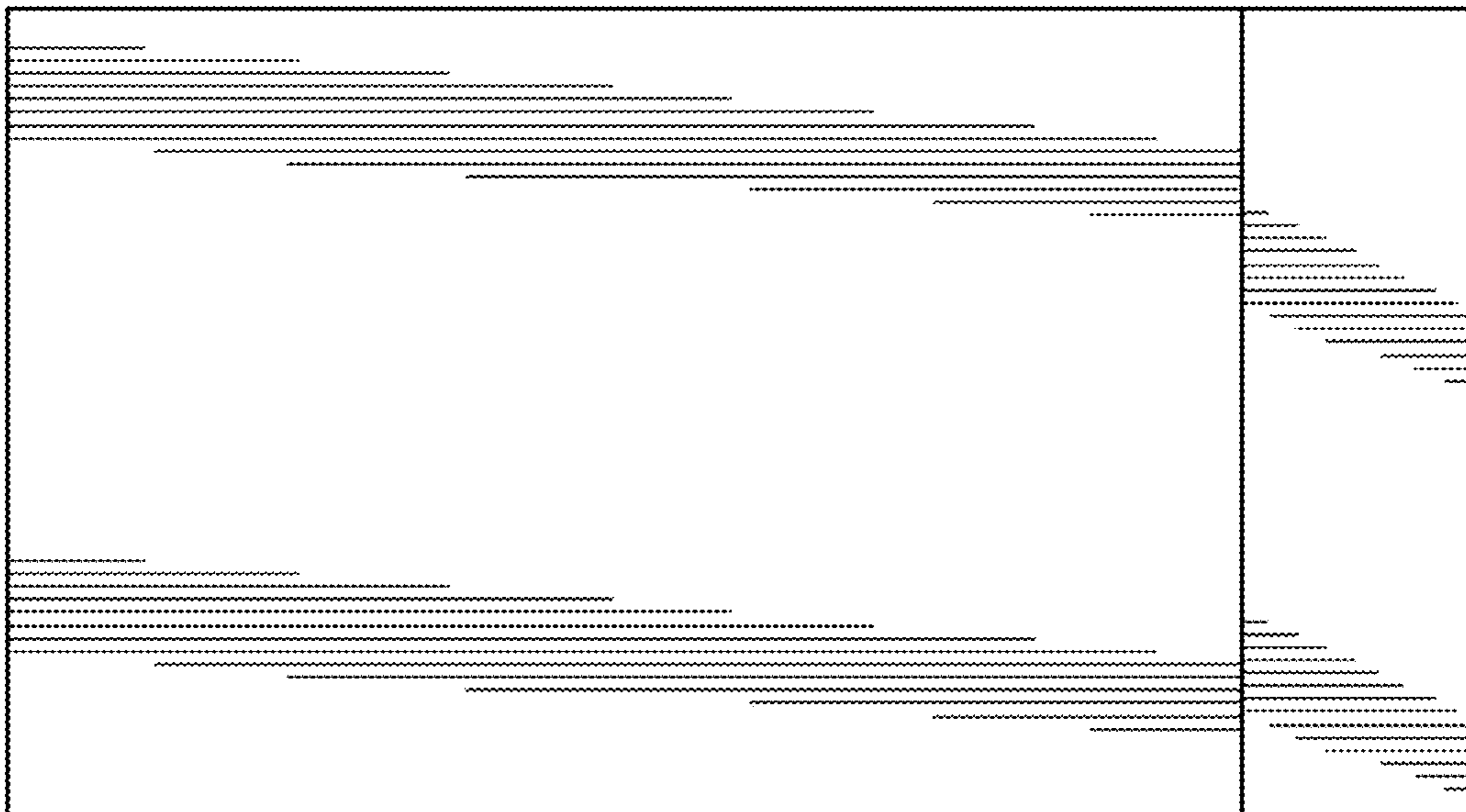


FIG. 7