



US00D770030S

(12) **United States Design Patent** (10) **Patent No.:** **US D770,030 S**
Stevens (45) **Date of Patent:** **** Oct. 25, 2016**

(54) **HVAC RIGHT ANGLE RETURN AIR BOX WITH A SQUARE THROAT**

(71) Applicant: **Craig Stevens**, Rochester, NY (US)

(72) Inventor: **Craig Stevens**, Rochester, NY (US)

(**) Term: **14 Years**

(21) Appl. No.: **29/510,835**

(22) Filed: **Dec. 3, 2014**

Related U.S. Application Data

(63) Continuation-in-part of application No. 29/497,582, filed on Jul. 25, 2014, now Pat. No. Des. 755,366, and a continuation-in-part of application No. 29/497,576, filed on Jul. 25, 2014, now Pat. No. Des. 755,365.

(51) **LOC (10) Cl.** **23-04**

(52) **U.S. Cl.**
USPC **D23/393**

(58) **Field of Classification Search**
USPC D23/385-395, 397, 370-373, 365, 354, D23/399-403, 421, 499; 285/229, 189, 183, 285/123.1, 15, 114, 110, 424, 197; 454/309, 275-277, 284, 287-291, 454/358-363; 52/302.1, 32.07
CPC F26B 3/04; F26B 21/004; E04B 5/48; F24D 5/02

See application file for complete search history.

(56) **References Cited**

U.S. PATENT DOCUMENTS

D80,763 S	3/1930	Betz	
D124,294 S *	12/1940	Leslie	D23/373
2,300,842 A *	11/1942	Leslie	E04D 13/17 454/361
2,447,472 A	8/1948	Donley	
D155,345 S *	9/1949	Johnson	D23/373
2,741,972 A	4/1956	Ralph	
D192,946 S	5/1962	Parsons	

D226,609 S * 4/1973 Drew D23/373
3,742,659 A * 7/1973 Drew F24F 13/00
285/44

3,919,927 A 11/1975 Bernard
D295,216 S 4/1988 Morris
D304,367 S * 10/1989 Saas D23/373
5,344,363 A * 9/1994 Pollock B65D 90/34
137/527.8

D378,125 S 2/1997 Vannier
5,775,988 A * 7/1998 Eakin F24F 11/047
454/253

D397,202 S 8/1998 Saar
D448,468 S 9/2001 Koessler
7,334,420 B1 2/2008 Garris
8,152,607 B2 * 4/2012 Carrig B08B 15/00
454/49

D674,077 S 1/2013 Miyake
D675,719 S * 2/2013 Eicher D23/373
D705,419 S * 5/2014 Leonard D23/373
9,080,779 B1 * 7/2015 Leonard F24F 7/02
2006/0025067 A1 2/2006 Koessler
2010/0051010 A1 * 3/2010 Colburn F24C 15/2028
126/299 D
2015/0241122 A1 8/2015 Cross

* cited by examiner

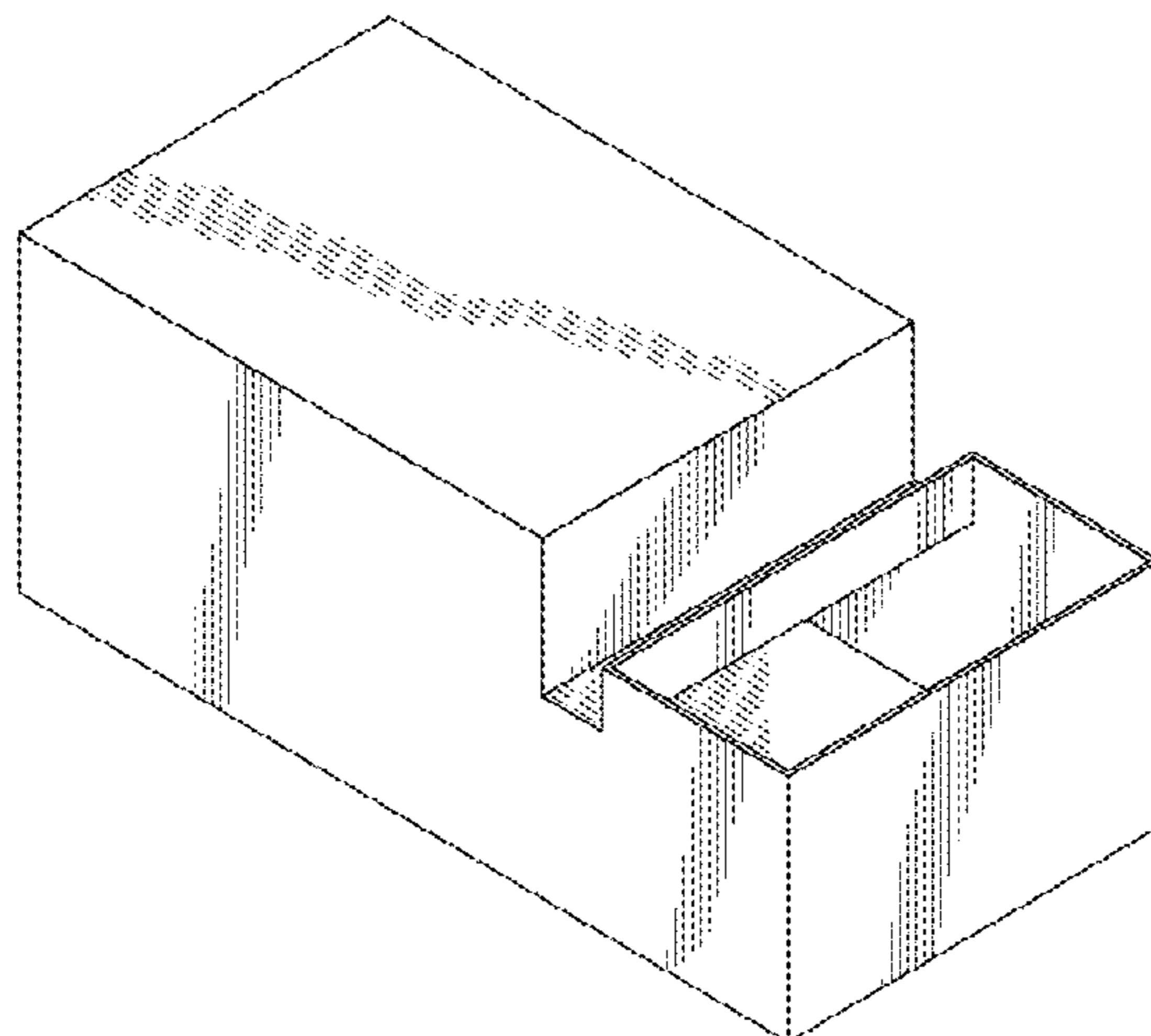
Primary Examiner — David Muller
Assistant Examiner — Nathan Johnston

(57) **CLAIM**
The ornamental design for a HVAC right angle return air box with a square throat, as shown and described.

DESCRIPTION

FIG. 1 depicts an isometric view of a HVAC right angled return air box with a square throat showing my new design. FIG. 2 depicts an alternative isometric view thereof. FIG. 3 depicts a side elevation view thereof. FIG. 4 depicts a side elevation view thereof. FIG. 5 depicts a side elevation view thereof. FIG. 6 depicts a top plan view thereof; and, FIG. 7 depicts a bottom plan view thereof.

1 Claim, 7 Drawing Sheets



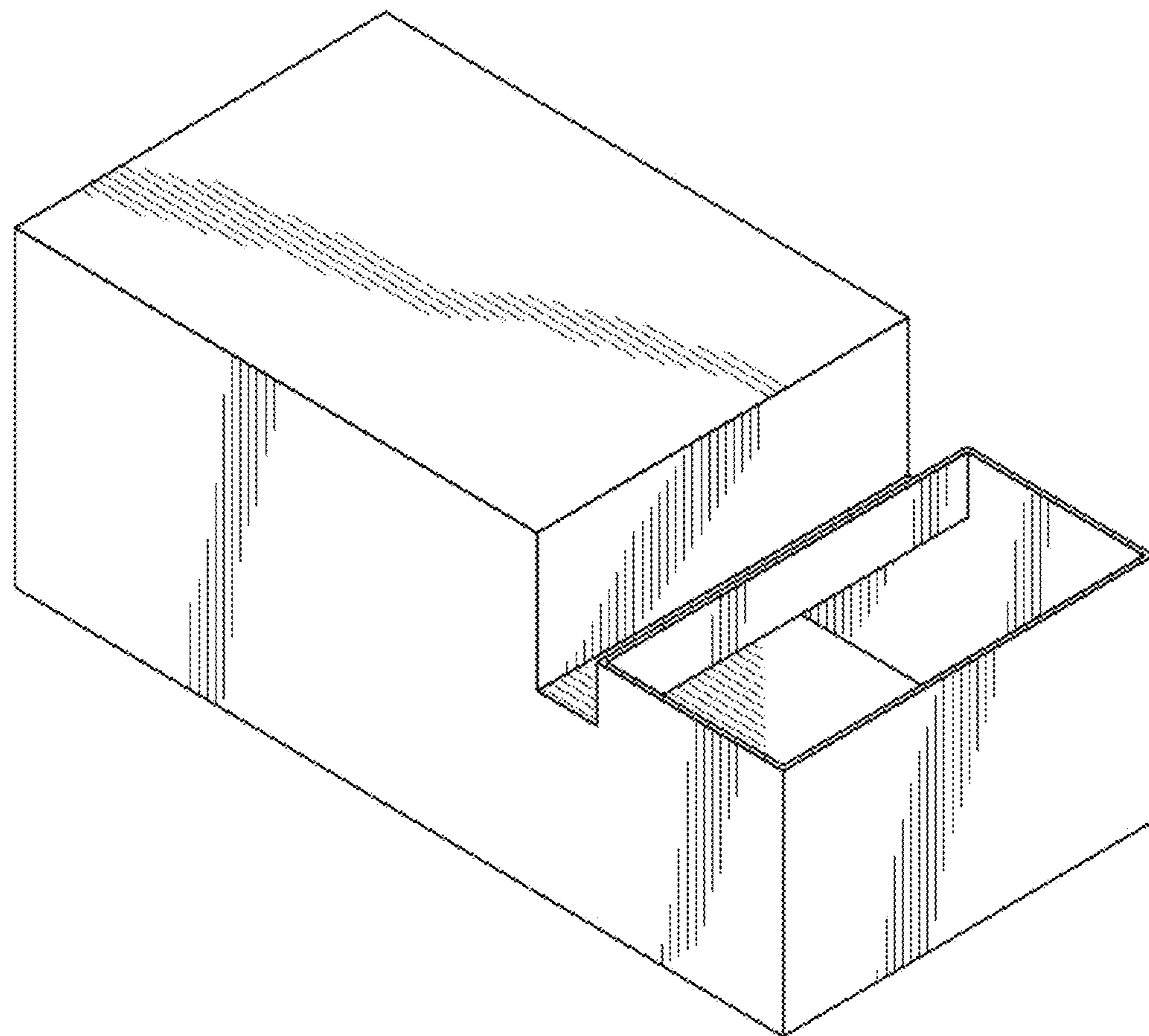


FIG. 1

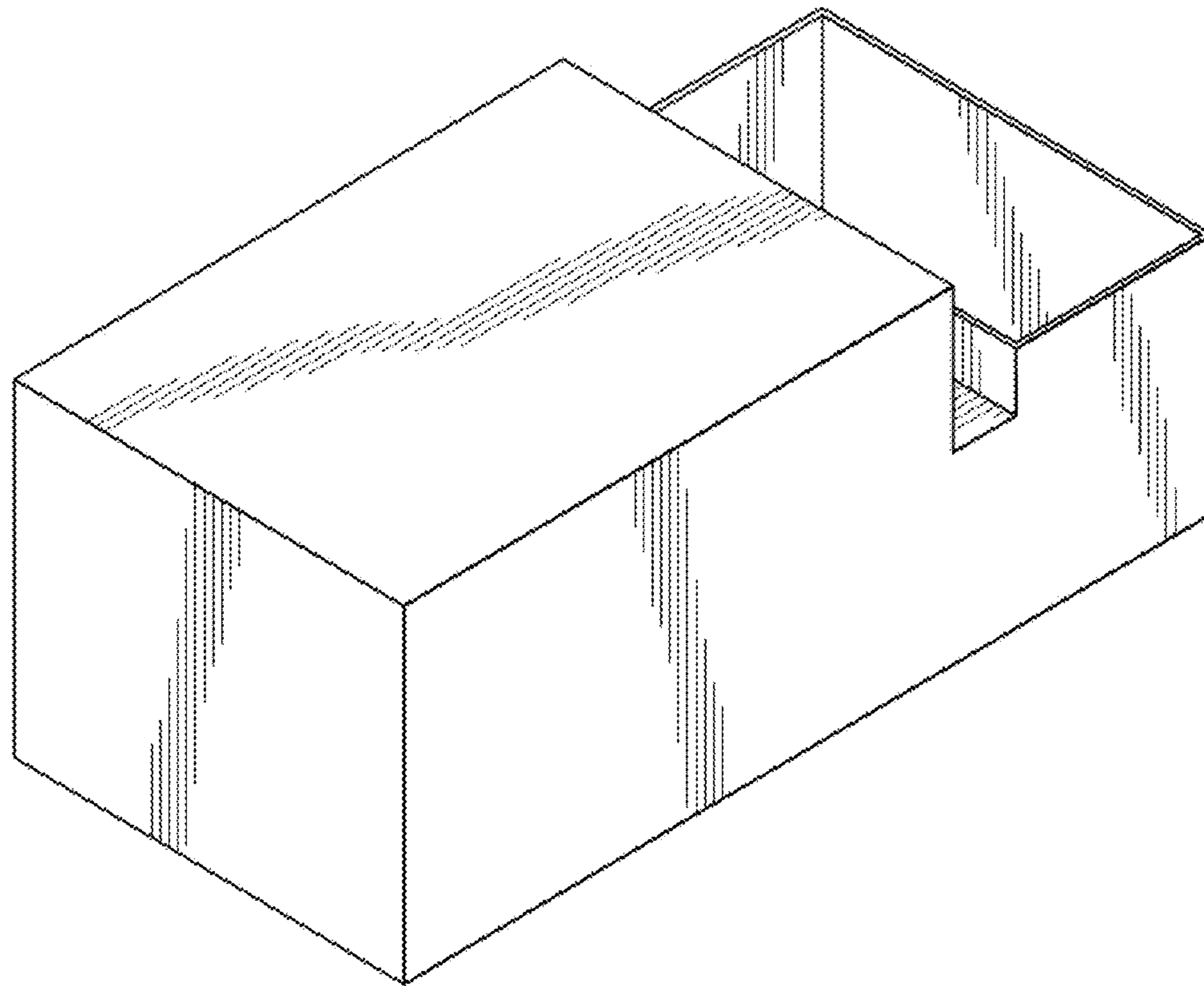


FIG. 2

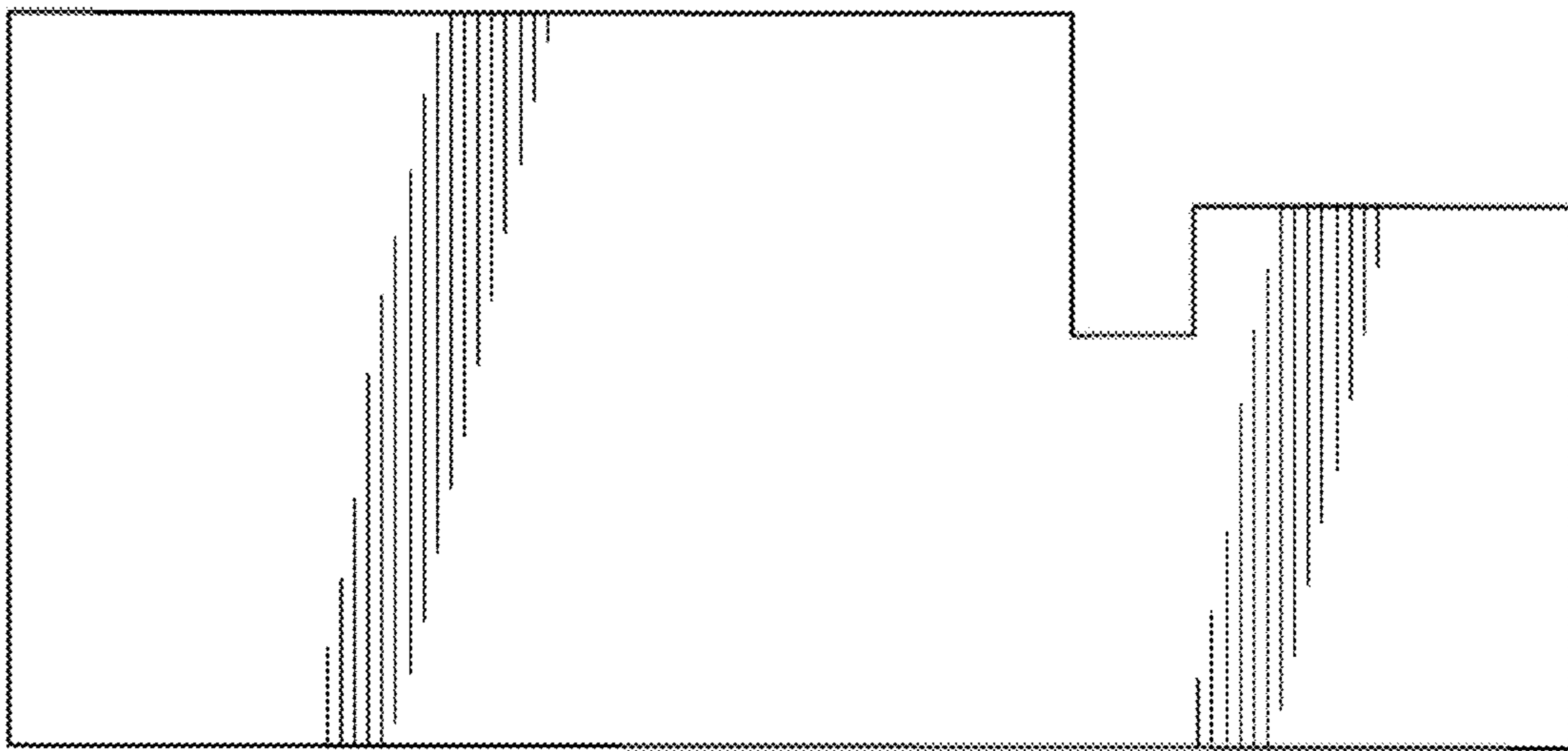


FIG. 3

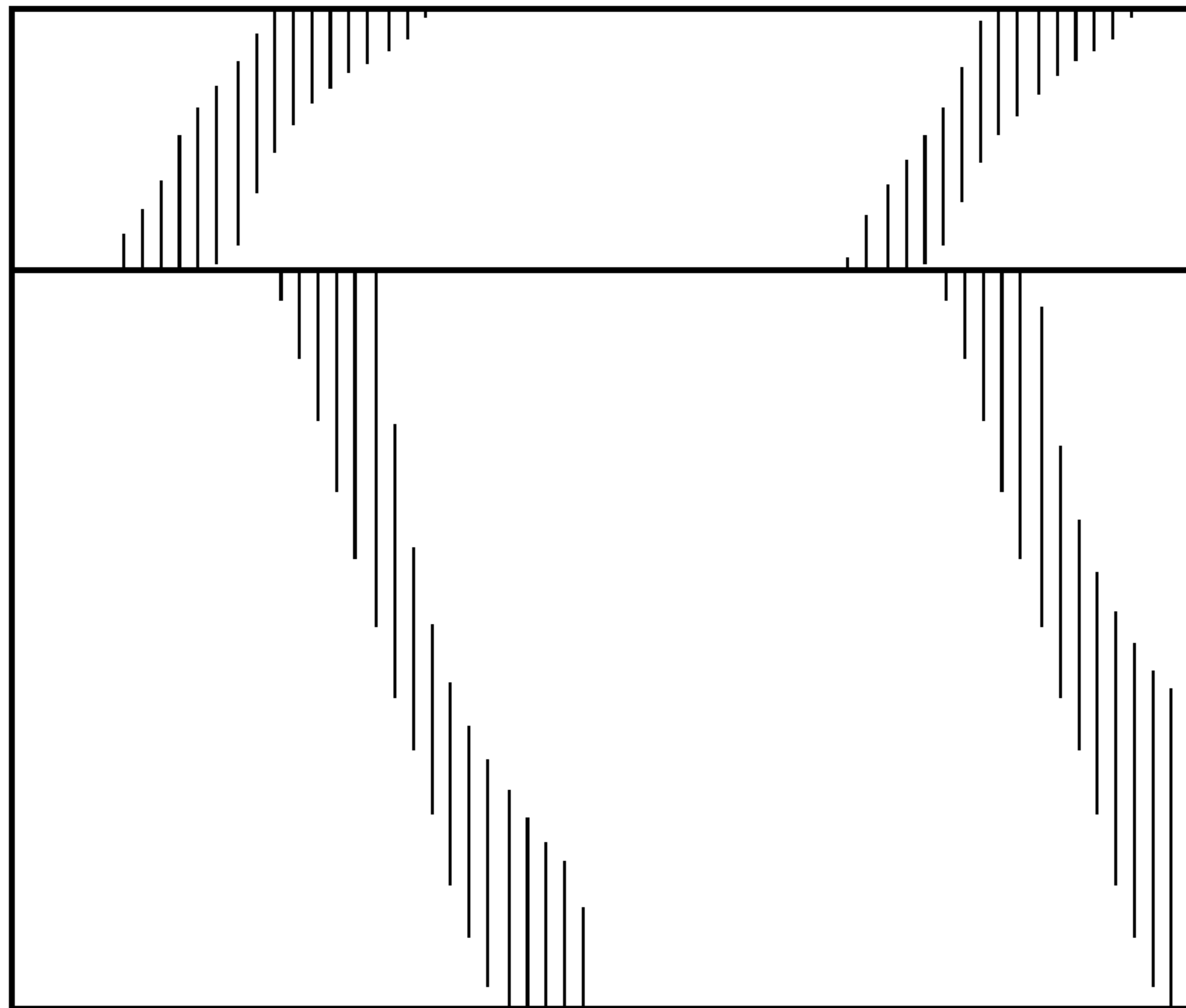


FIG. 4

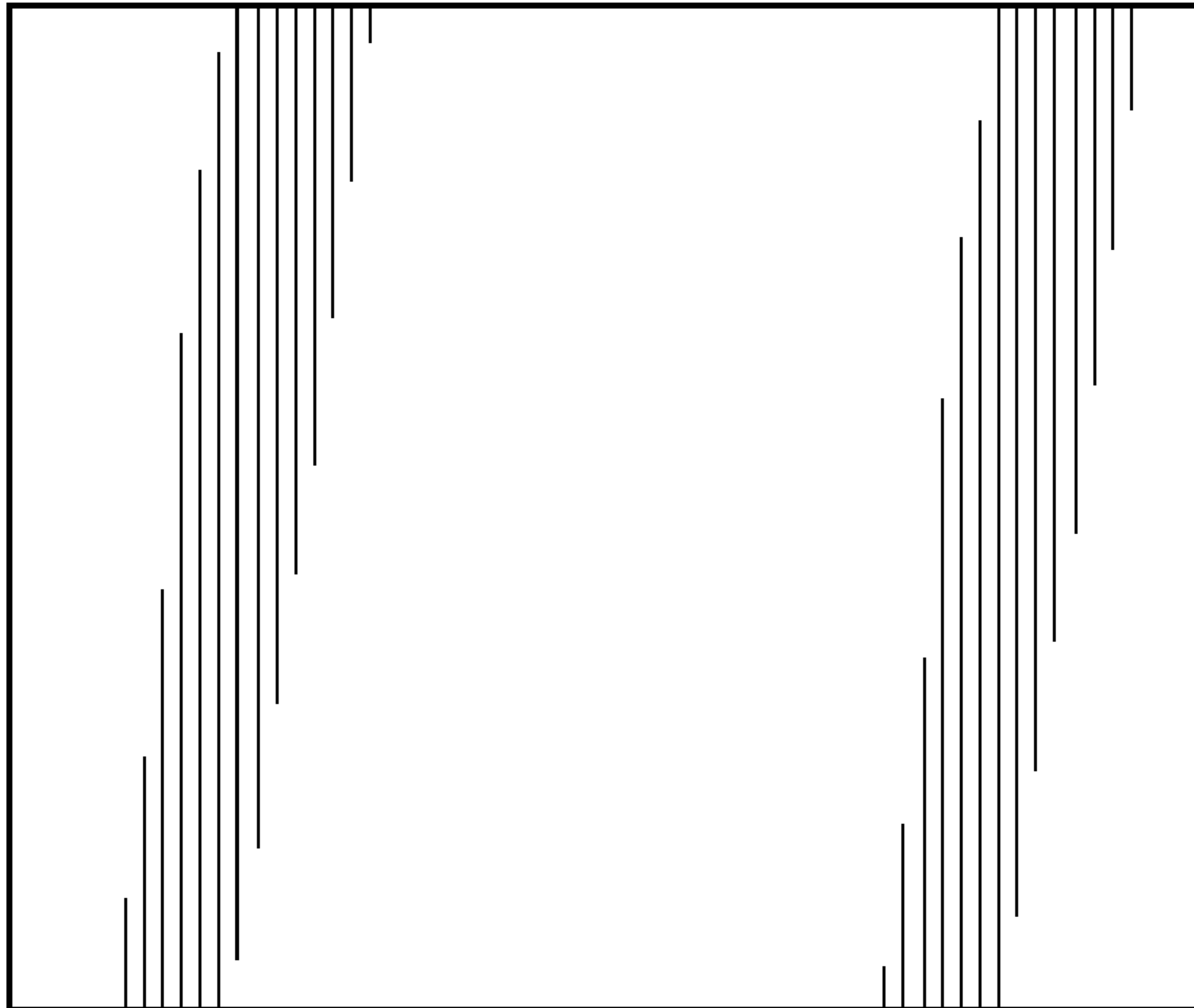


FIG. 5

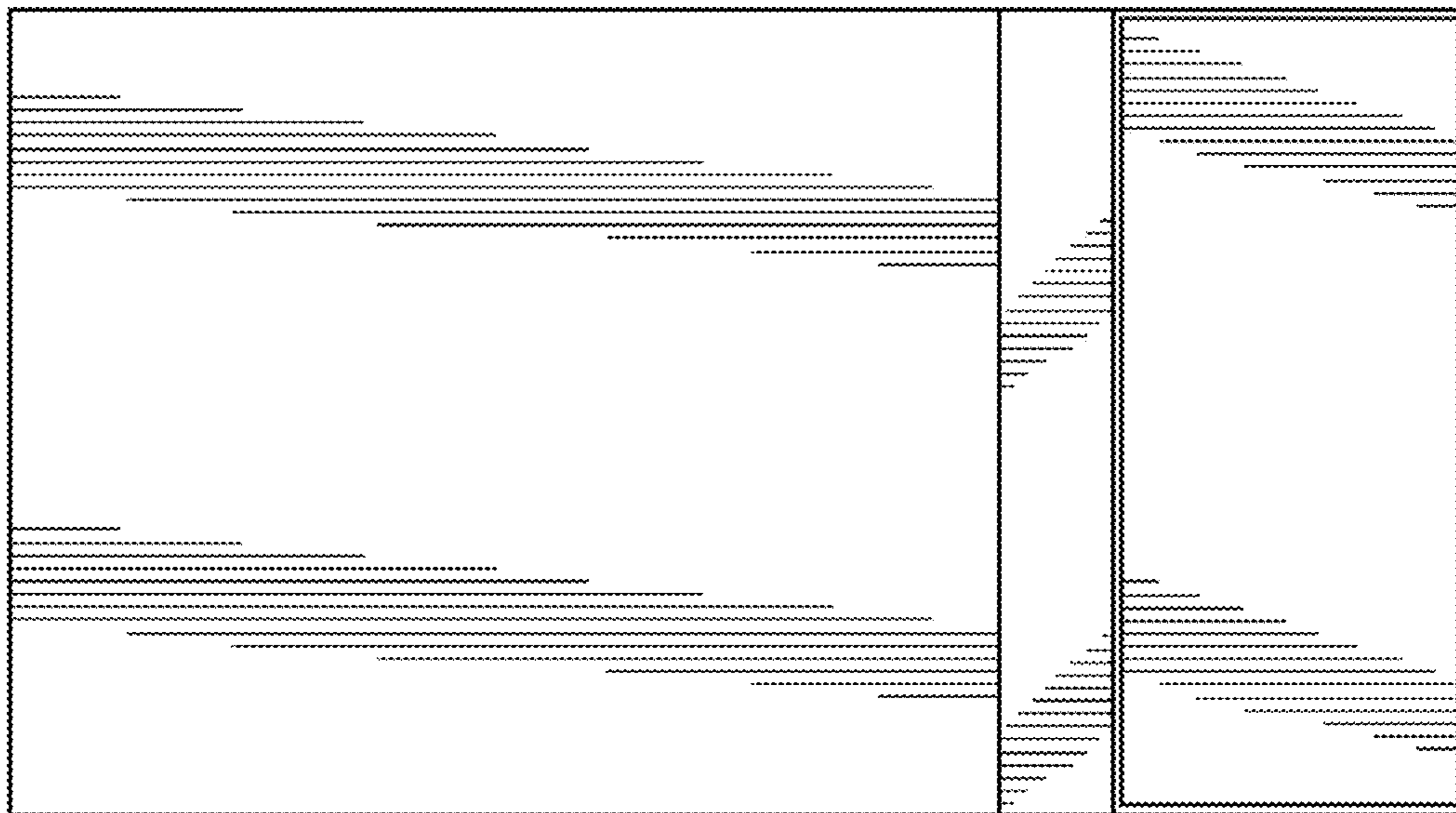


FIG. 6

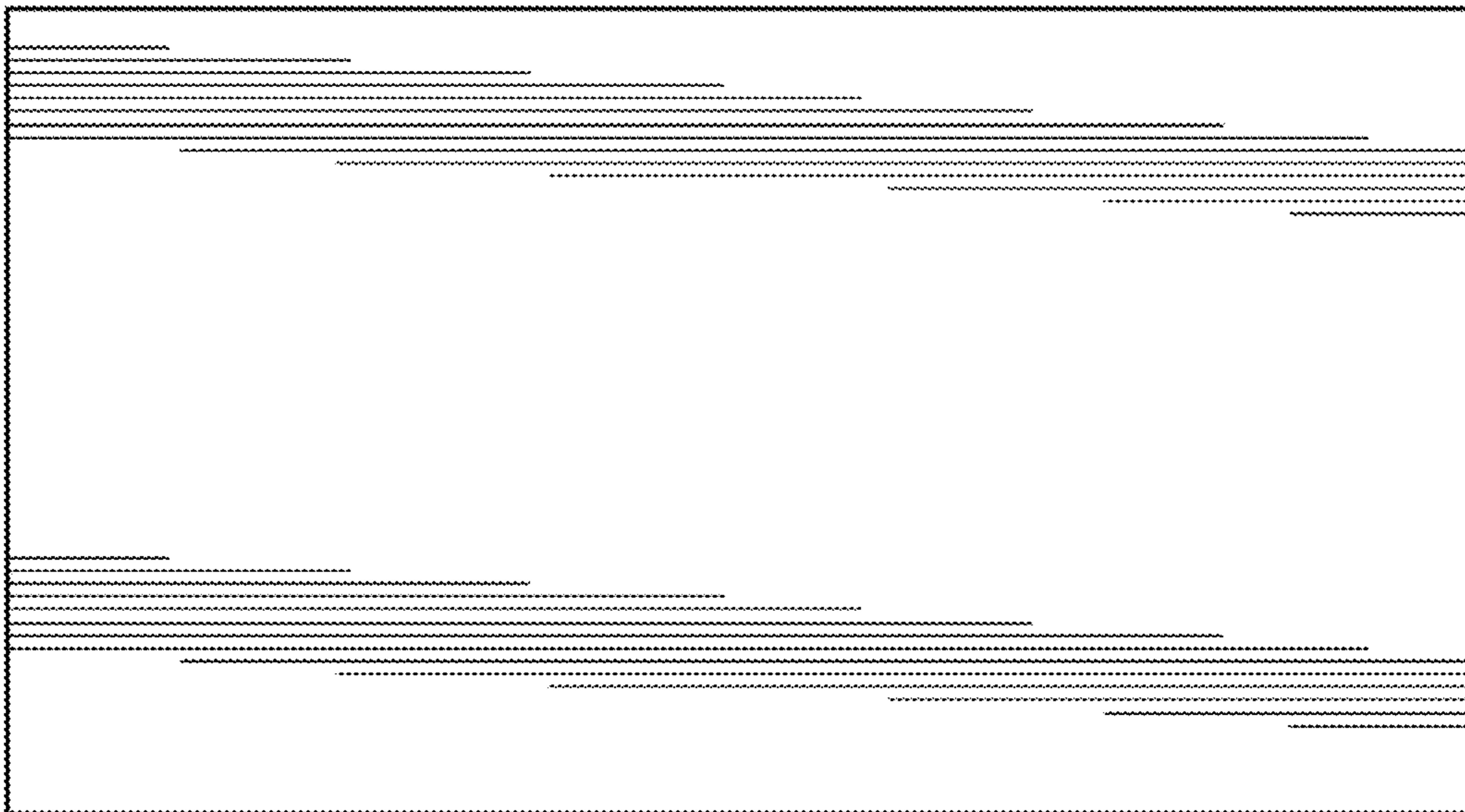


FIG. 7