



US00D770029S

(12) **United States Design Patent**
Guillemi

(10) **Patent No.:** **US D770,029 S**
(45) **Date of Patent:** **** Oct. 25, 2016**

- (54) **LOUVER WITH FACEPLATE**
- (71) Applicant: **Magdiel Guillemi**, Miami, FL (US)
- (72) Inventor: **Magdiel Guillemi**, Miami, FL (US)
- (**) Term: **14 Years**
- (21) Appl. No.: **29/515,974**
- (22) Filed: **Jan. 28, 2015**
- (51) **LOC (10) Cl.** **23-04**
- (52) **U.S. Cl.**
USPC **D23/392**
- (58) **Field of Classification Search**
USPC D17/20, 22, 23; D11/143, 144;
D13/182; D23/323, 328, 333, 335,
D23/336, 337, 341, 352, 357, 370, 385, 386,
D23/392, 397, 399, 400, 406, 411, 413, 499,
D23/388, 412
CPC B64C 11/04; B64C 11/16; B64C 11/18;
B64C 11/20; B64C 2001/009; F03D 3/062;
F03D 11/04; F04D 19/002; F04D 25/068;
F04D 25/088; F04D 19/00; F04D 17/16;
F04D 25/14; F04D 25/0606; F04D 29/626;
F24F 1/0018; F24F 7/007; F24F 13/10;
F24F 13/32; F24F 1/027; B64D 13/02;
E04C 2/427; E06B 3/5892; B24B 37/04;
B01D 46/00; F24H 3/04; B65D 7/00; B65D
67/02; F16M 1/00; F25D 23/10
See application file for complete search history.

(56) **References Cited**

U.S. PATENT DOCUMENTS

- 2,828,046 A * 3/1958 Weinman F16B 5/06
220/683
- 3,741,102 A * 6/1973 Kaiser F24F 13/10
454/319
- 4,335,647 A * 6/1982 Timmons F24F 13/06
138/106
- D268,703 S * 4/1983 Lloyd-Jones D25/55
- 4,555,255 A * 11/1985 Kissel B01D 46/00
55/355

- D283,352 S * 4/1986 Bancroft D25/119
- 4,740,091 A * 4/1988 Bolton F24F 13/32
403/24
- D299,809 S * 2/1989 Hagedorn 248/674
- D306,079 S * 2/1990 Whitney D25/119
- 4,917,345 A * 4/1990 Czech F24F 13/32
248/237
- D318,343 S * 7/1991 Miller D13/155
- D318,742 S * 7/1991 Miller D13/155
- 5,584,406 A * 12/1996 Besserer F16M 1/00
211/189
- 5,624,095 A * 4/1997 Zissu A47B 96/027
248/231.81

(Continued)

OTHER PUBLICATIONS

TRBL Drip flashing SE, image post date 2014, site visited May 27, 2016, (online), <<http://www.lindab.com/global/pro/products/Pages/TRBL-Drip-flashing-SE.aspx>>.*

(Continued)

Primary Examiner — Kevin Rudzinski
Assistant Examiner — Sean D Lough
(74) *Attorney, Agent, or Firm* — Mark Terry

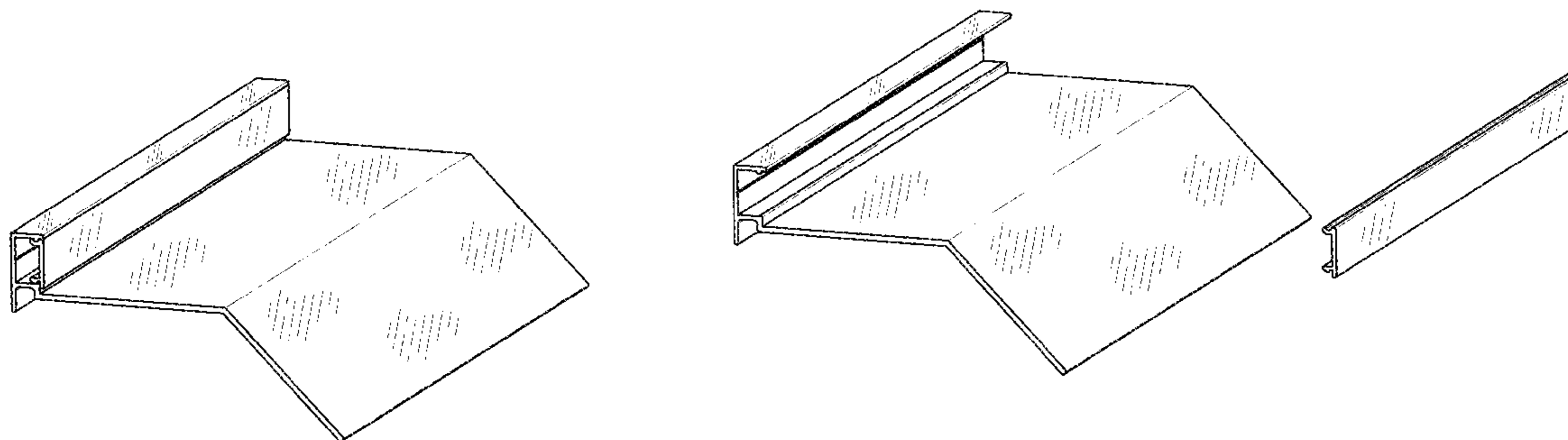
(57) **CLAIM**

I claim the ornamental design for the louver with faceplate, as shown and described.

DESCRIPTION

FIG. 1 is a front perspective view of a louver with a faceplate, showing the new design;
FIG. 2 is an exploded front perspective view thereof;
FIG. 3 is a rear perspective view thereof;
FIG. 4 is a bottom perspective view thereof;
FIG. 5 is a right side view thereof;
FIG. 6 is a left side view thereof;
FIG. 7 is a top view thereof;
FIG. 8 is a bottom view thereof;
FIG. 9 is a rear view thereof; and,
FIG. 10 is a front view thereof.

1 Claim, 4 Drawing Sheets



(56)

References Cited

U.S. PATENT DOCUMENTS

D436,163 S * 1/2001 Peterson D23/393
 D459,007 S * 6/2002 Campacci D25/119
 6,457,692 B1 * 10/2002 Gohl, Jr. E04B 9/006
 248/301
 6,526,707 B2 * 3/2003 Tucker E06B 1/62
 52/204.53
 6,537,147 B2 * 3/2003 Smith E04D 1/3402
 454/365
 D472,456 S * 4/2003 Snyder D8/353
 6,767,278 B1 * 7/2004 Peterson F24F 1/027
 248/200.1
 D495,808 S * 9/2004 Habeck D25/119
 D502,991 S * 3/2005 Rodolfo D23/393
 D503,227 S * 3/2005 Rodolfo D23/393
 D503,469 S * 3/2005 Rodolfo D23/393
 D542,568 S * 5/2007 Clark D6/406.6
 D602,346 S * 10/2009 Allsopp D8/369
 D617,442 S * 6/2010 Grages D23/393
 D618,825 S * 6/2010 Johnson D25/164
 D636,927 S * 4/2011 Lin D26/138
 D656,603 S * 3/2012 Egan D23/393
 D674,683 S * 1/2013 Shea D8/373
 D674,889 S * 1/2013 Mims D23/386
 8,517,326 B2 * 8/2013 Kelley F24F 13/32
 248/343
 8,528,678 B2 * 9/2013 Rosenbecker E05D 15/00
 180/68.1
 D702,860 S * 4/2014 Rice D25/119
 D703,306 S * 4/2014 Little D23/393
 D703,307 S * 4/2014 Little D23/393
 D705,420 S * 5/2014 Eichelberg D23/387
 8,869,687 B1 * 10/2014 Buchko B32B 37/1284
 198/860.1
 D718,101 S * 11/2014 Mason D8/14
 D727,486 S * 4/2015 Sebert D23/365
 8,997,426 B1 * 4/2015 McLeod E04B 9/242
 52/506.07
 D730,545 S * 5/2015 Stauffer D25/133
 D732,154 S * 6/2015 Luenser D23/366
 D732,708 S * 6/2015 Stauffer D25/133
 D733,275 S * 6/2015 Cao D23/355
 D733,862 S * 7/2015 Klunker D23/372
 D734,878 S * 7/2015 Nelson D25/164
 D736,418 S * 8/2015 Di Marzio D25/164
 D739,050 S * 9/2015 Di Marzio D25/164
 D740,969 S * 10/2015 Di Marzio D25/164
 9,151,535 B2 * 10/2015 Wynnich B65D 7/00
 9,157,572 B1 * 10/2015 Merideth F24F 13/32
 9,175,480 B1 * 11/2015 Polston F24F 7/02
 D745,131 S * 12/2015 Sinur D23/372
 D745,193 S * 12/2015 Ohshima D25/138
 D746,429 S * 12/2015 Meyer D23/387
 D746,972 S * 1/2016 Aruga D23/393
 9,233,747 B2 * 1/2016 Perkins B32B 3/266
 D749,204 S * 2/2016 Breneman D23/372
 D749,342 S * 2/2016 Escandon D6/682

D754,315 S * 4/2016 Morin D23/365
 D754,838 S * 4/2016 Penlesky D23/393
 D755,944 S * 5/2016 Daniels D23/373
 2002/0109059 A1 * 8/2002 Macri E04G 3/26
 248/237
 2003/0182873 A1 * 10/2003 Clasen F24F 13/32
 52/73
 2004/0040219 A1 * 3/2004 Bacik E04D 13/064
 52/11
 2004/0051017 A1 * 3/2004 Mislich E04G 3/26
 248/237
 2004/0183414 A1 * 9/2004 Kwon F25D 23/02
 312/401
 2005/0039479 A1 * 2/2005 Kim F24F 13/20
 62/262
 2005/0229525 A1 * 10/2005 Berlyn E04B 9/006
 52/506.06
 2006/0103282 A1 * 5/2006 Avendano E06B 5/006
 312/401
 2006/0201042 A1 * 9/2006 Kim F24F 1/027
 40/725
 2007/0289274 A1 * 12/2007 Justice B01D 46/0002
 55/511
 2009/0071180 A1 * 3/2009 Jones F24F 13/32
 62/262
 2009/0129114 A1 * 5/2009 Buesing A47L 15/4257
 362/600
 2009/0302723 A1 * 12/2009 Laible A47L 15/4265
 312/237
 2010/0045150 A1 * 2/2010 Laible F25D 23/10
 312/237
 2011/0002115 A1 * 1/2011 Okamura F21S 8/026
 362/147
 2012/0137499 A1 * 6/2012 Agnihotri F16M 13/02
 29/462
 2012/0152505 A1 * 6/2012 Logan F24F 13/32
 165/159
 2012/0180288 A1 * 7/2012 Crowley F24F 13/32
 29/428
 2013/0161344 A1 * 6/2013 Park A45D 34/04
 220/810
 2015/0097096 A1 * 4/2015 Arbucci E06B 7/28
 248/208
 2016/0123625 A1 * 5/2016 Crowley F16M 13/02
 248/636
 2016/0138815 A1 * 5/2016 Swett F24F 1/025
 62/115

OTHER PUBLICATIONS

Brushed-Nickel-Plate-Glass-Clamp, image post date Apr. 20, 2008, site visited May 27, 2016, (online), <<https://www.tineye.com/search/b169701847b696a541aea9124dd51b826659593a/?pluginver=>>>.*
 Flashing, image post date Aug. 22, 2012, site visited May 27, 2016, (online), <<http://web.archive.org/web/20120822100707/http://www.dictionarofconstruction.com/definition/flashing.html>>.*

* cited by examiner

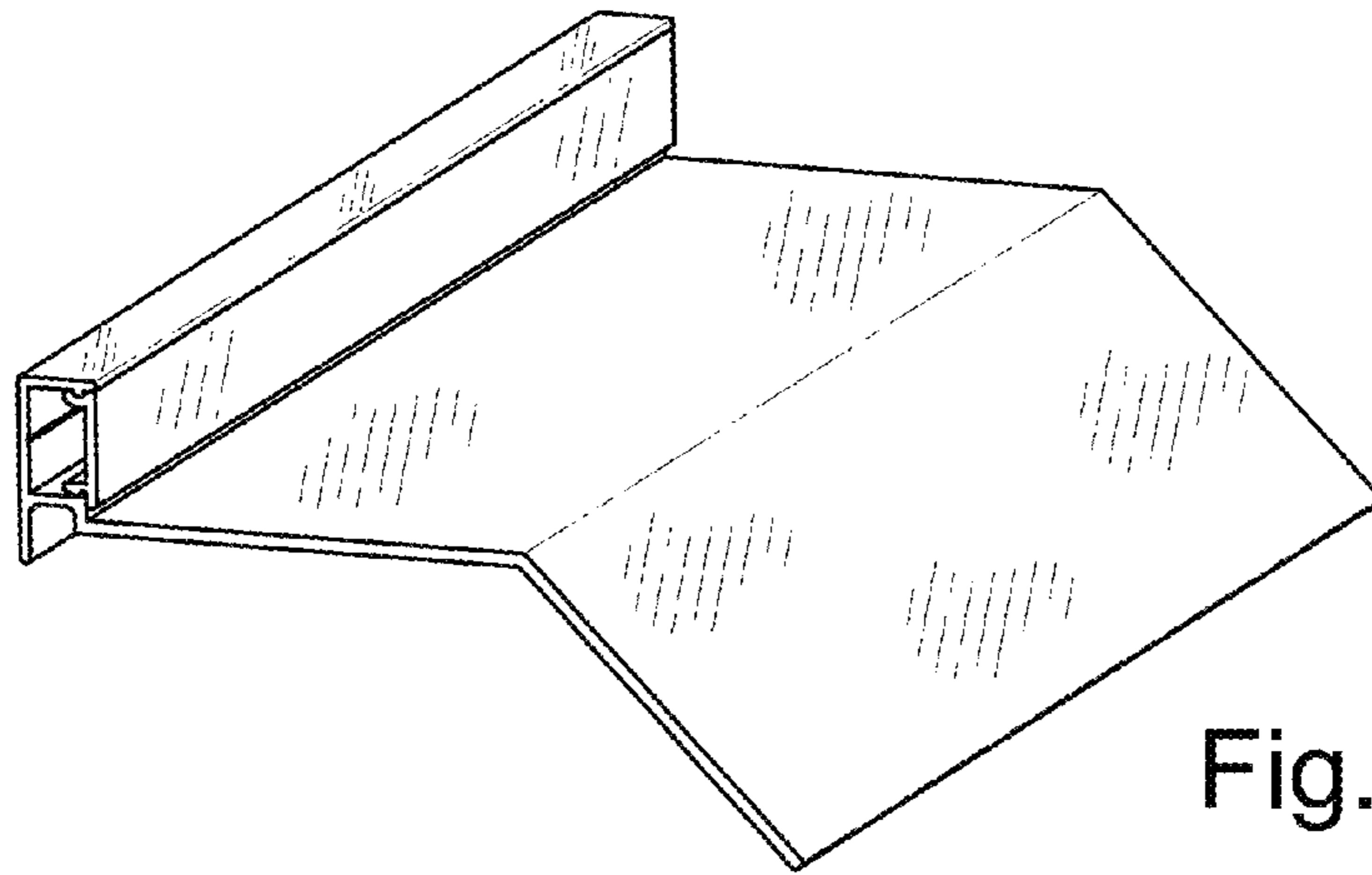


Fig. 1

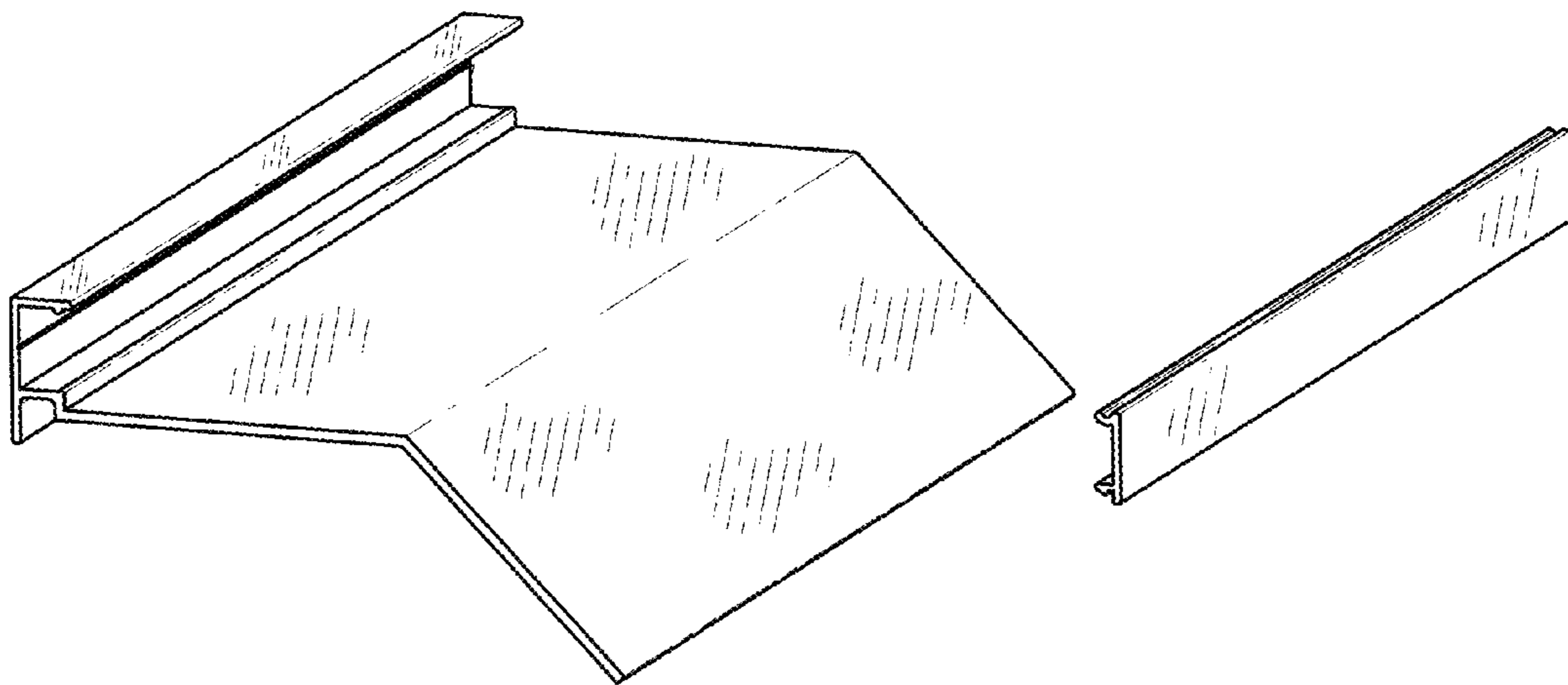


Fig. 2

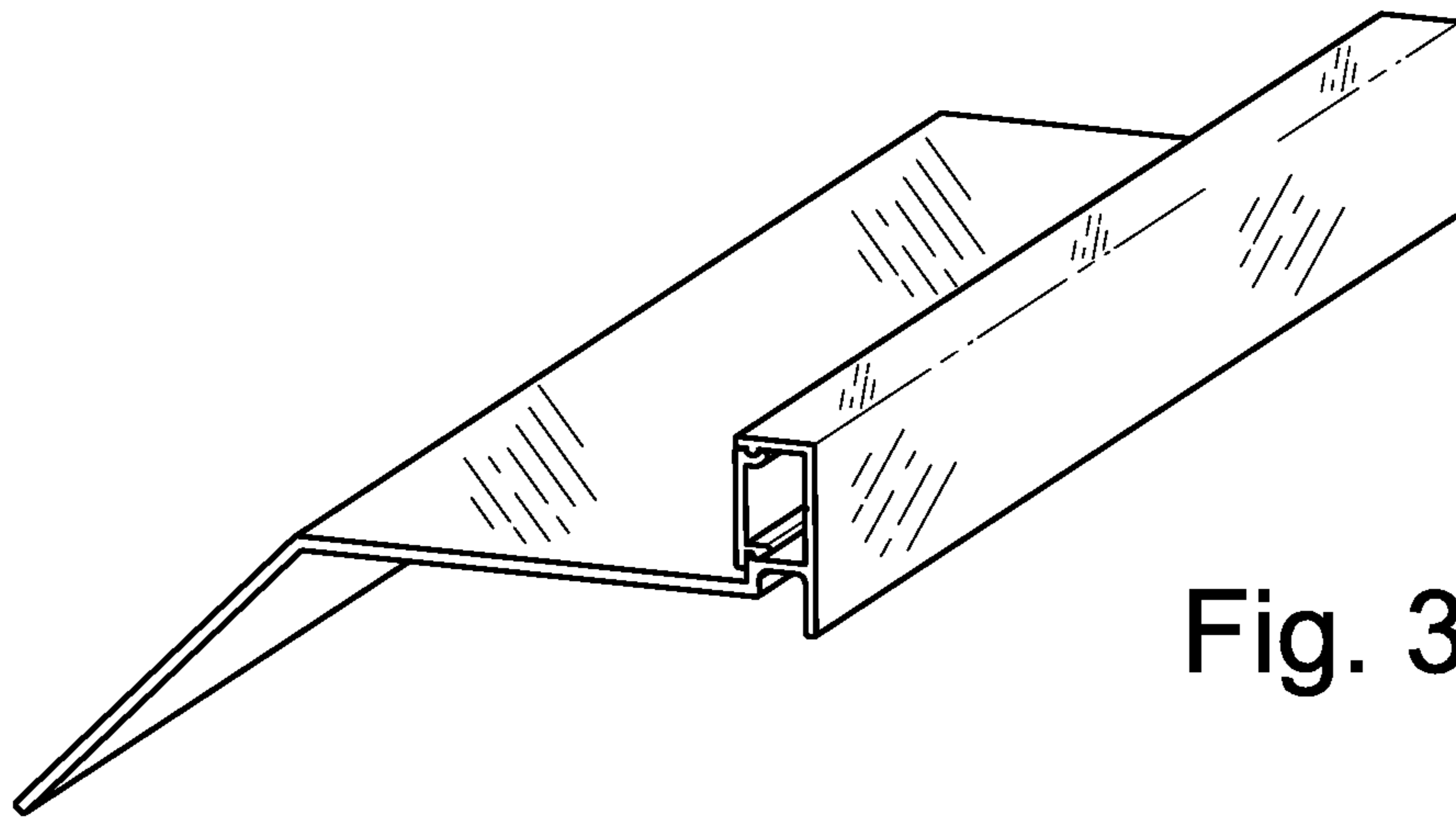


Fig. 3

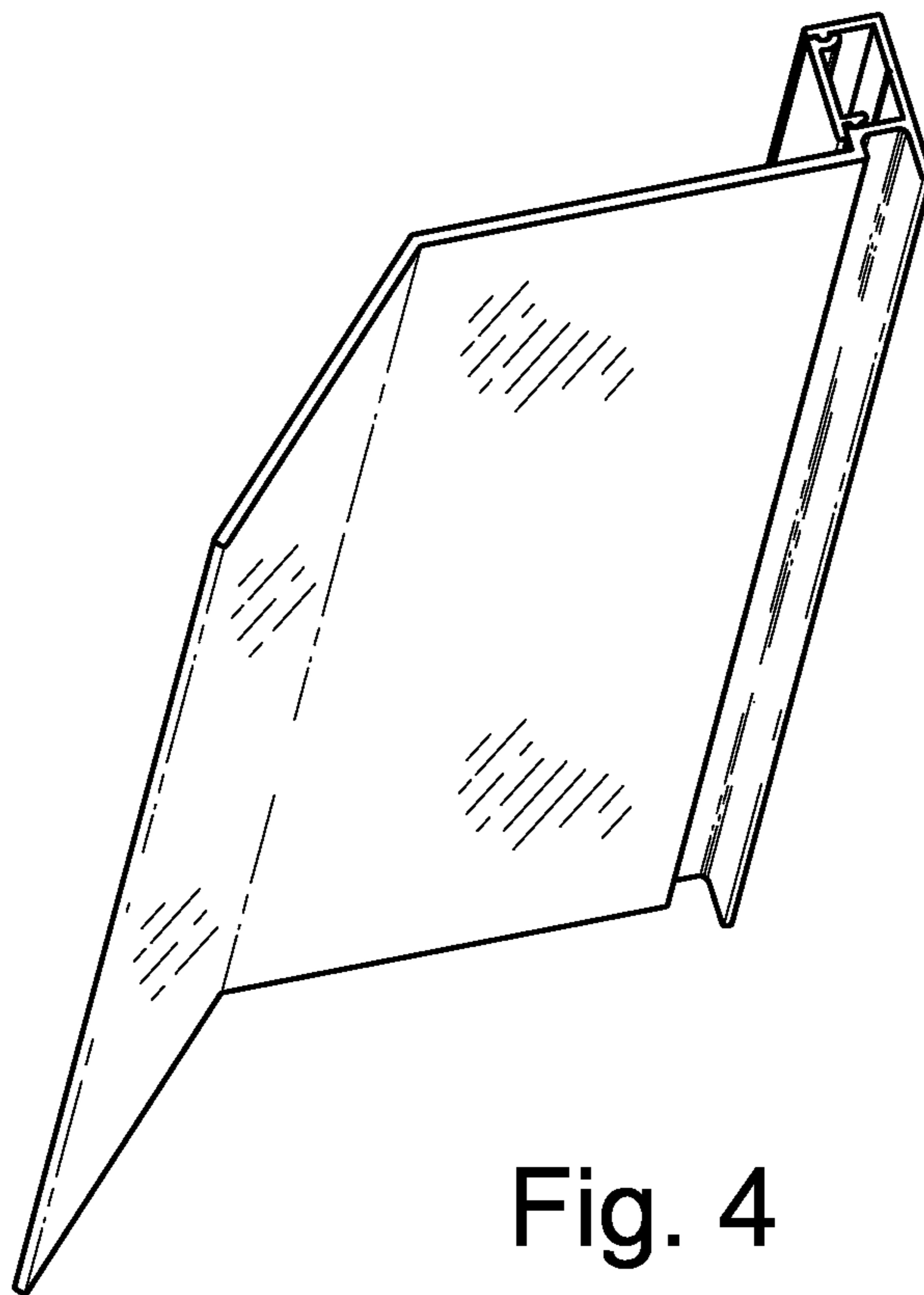


Fig. 4

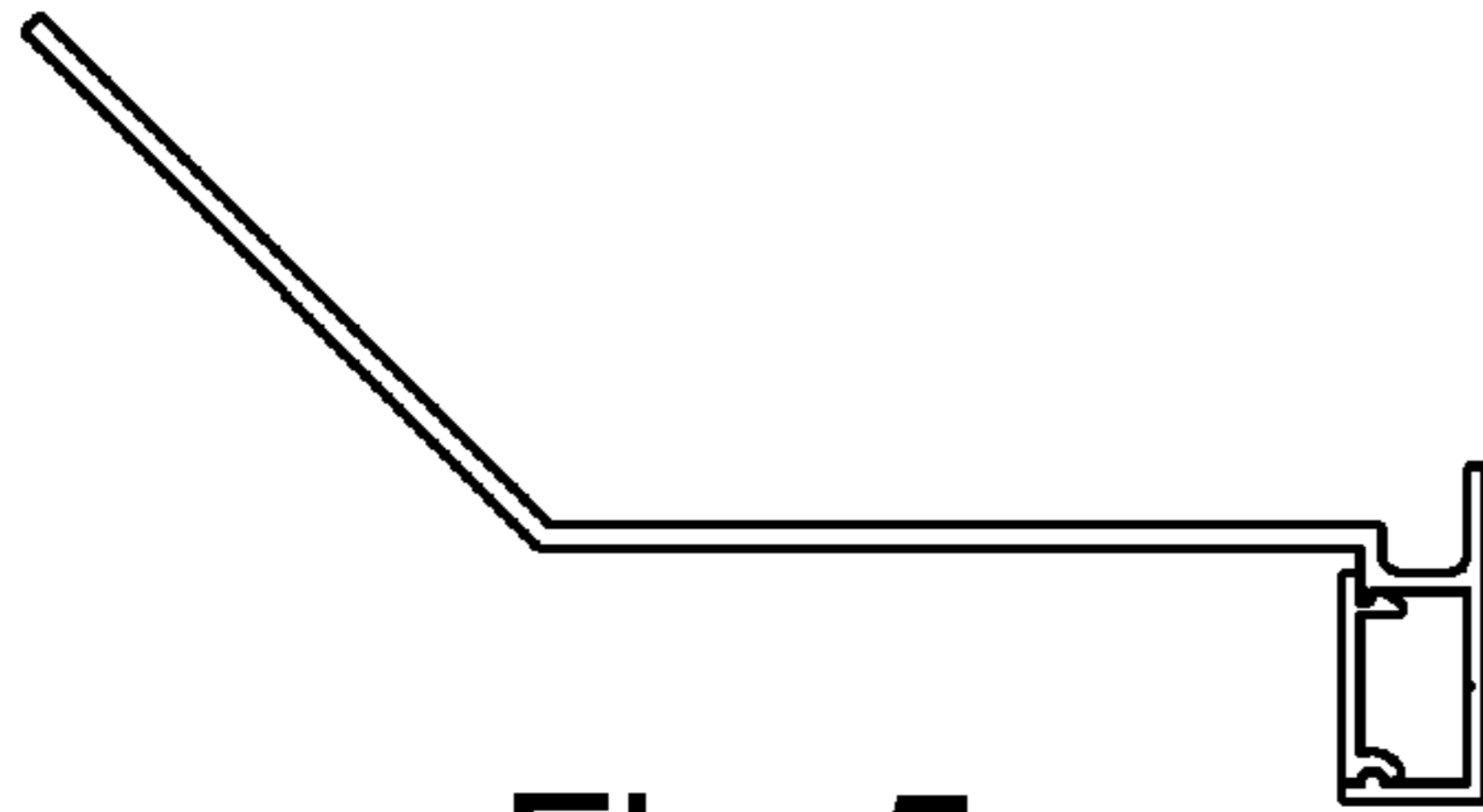


Fig. 5

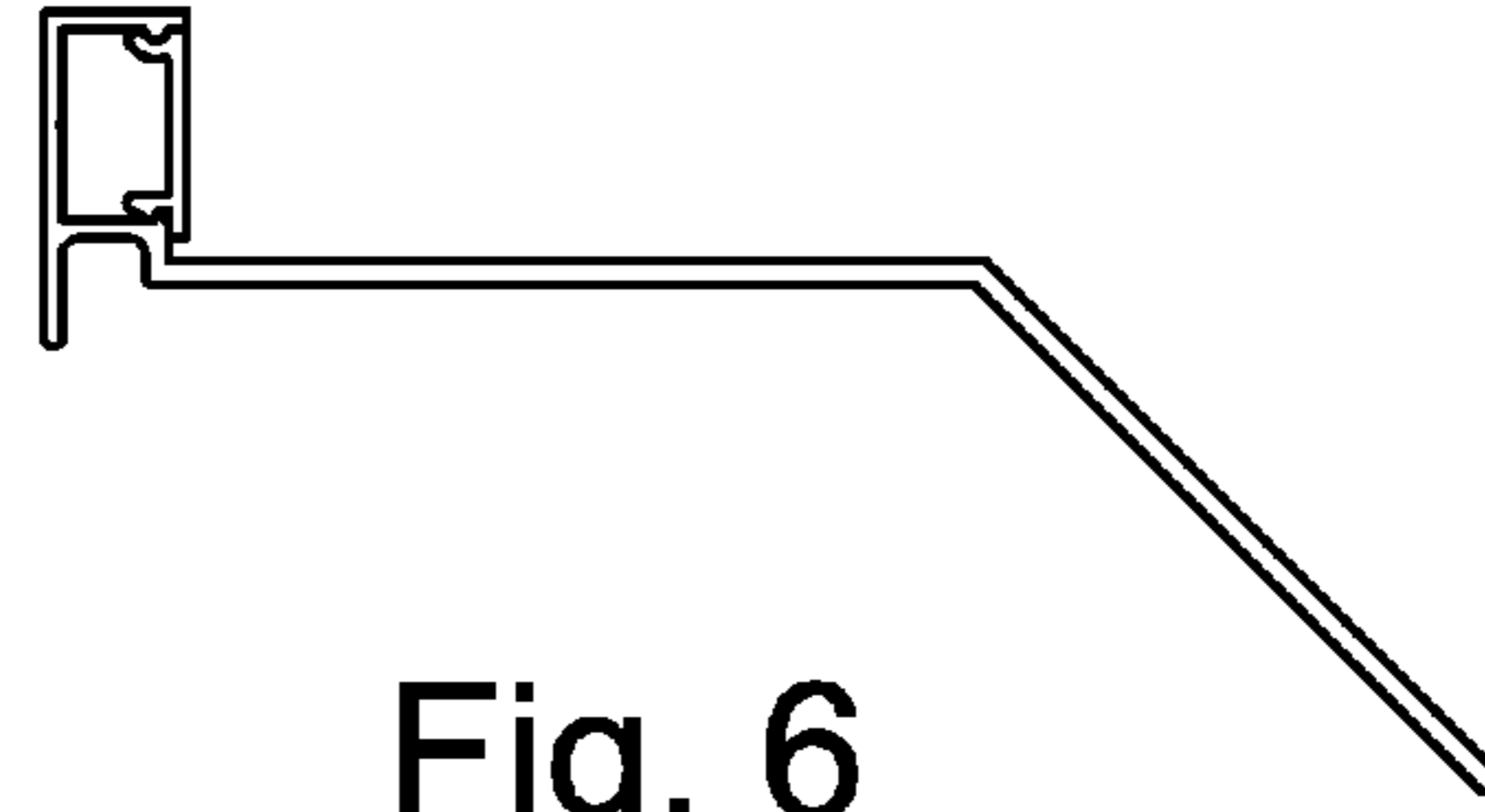


Fig. 6

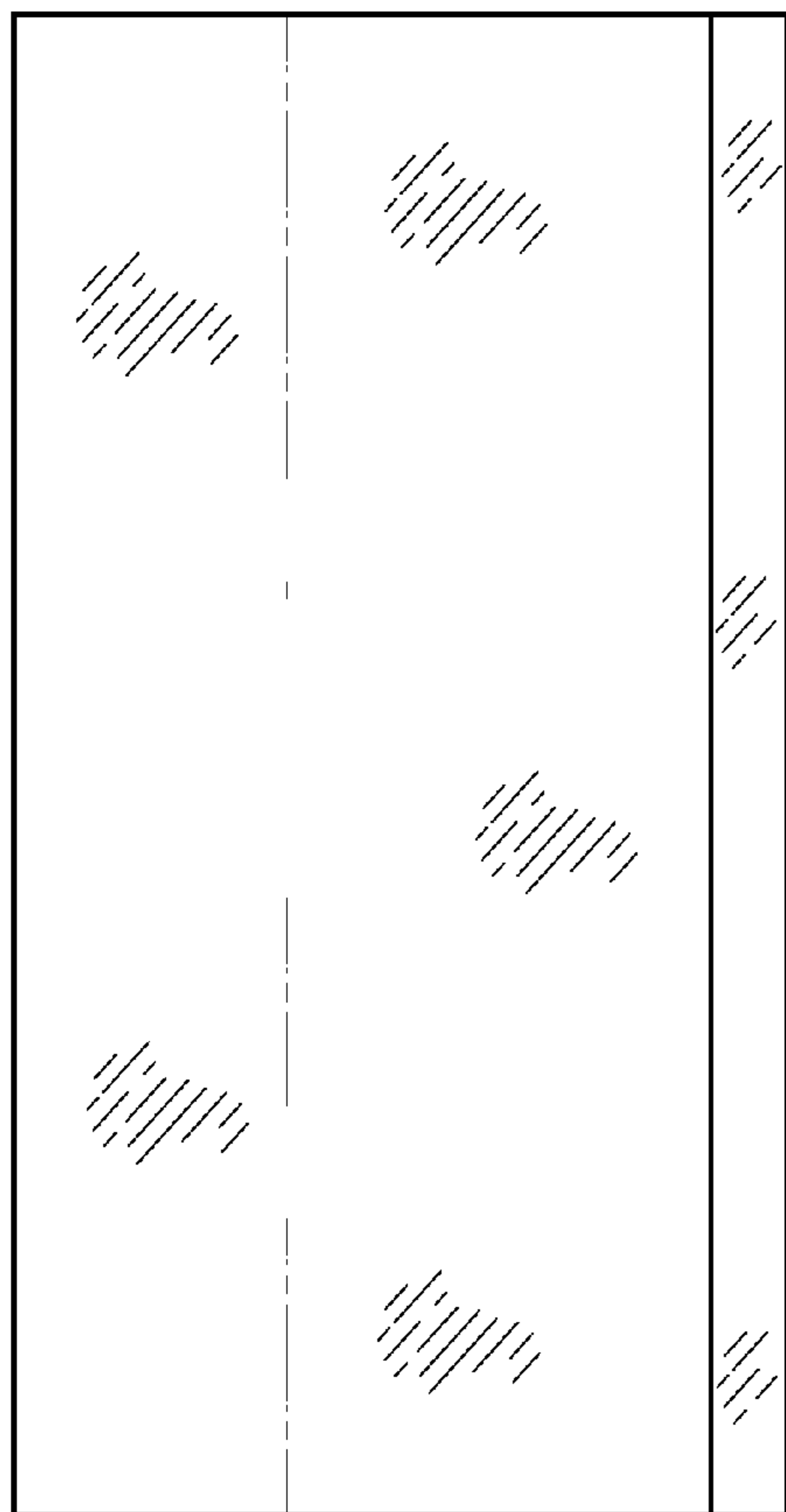


Fig. 7

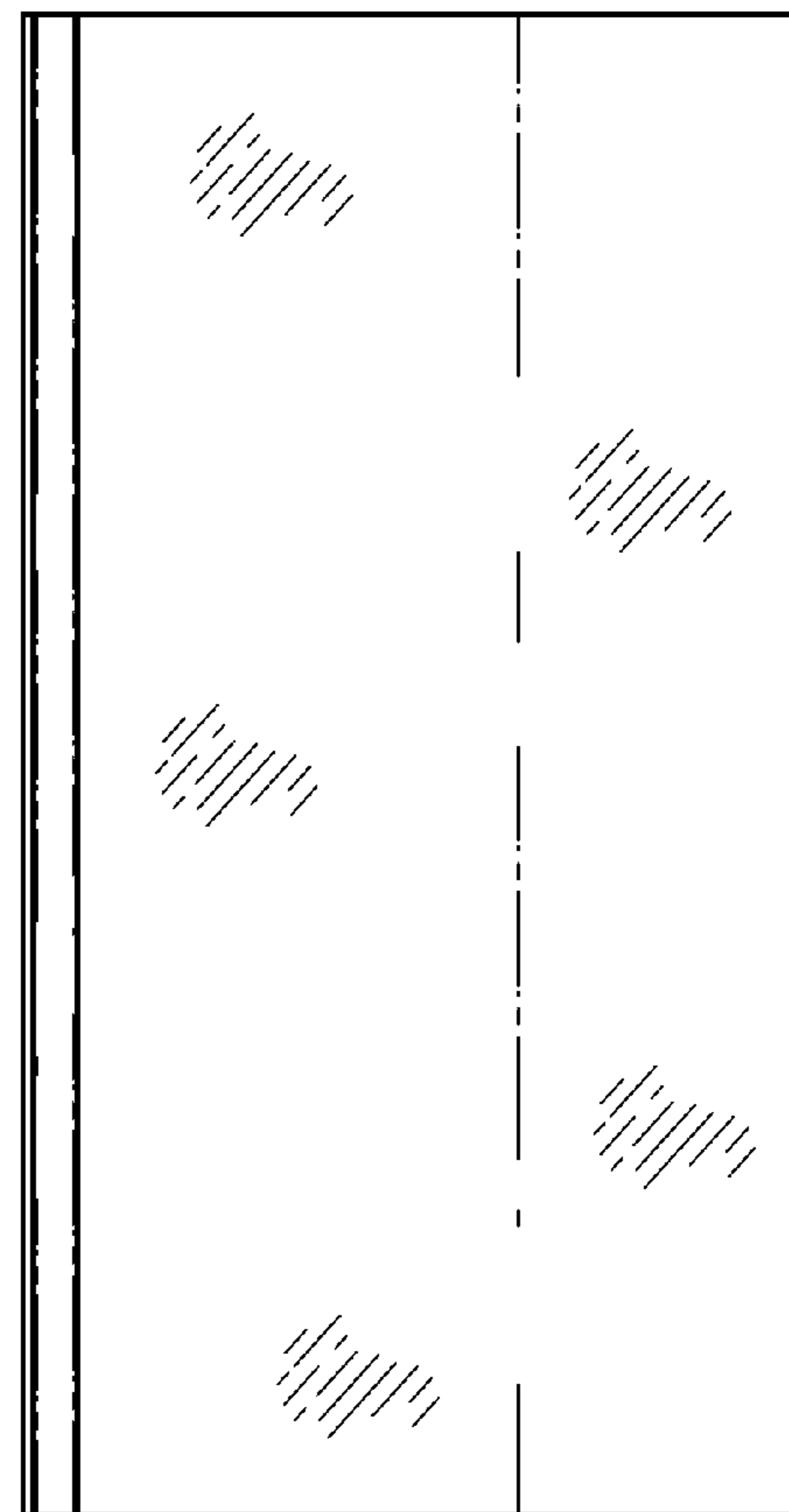


Fig. 8

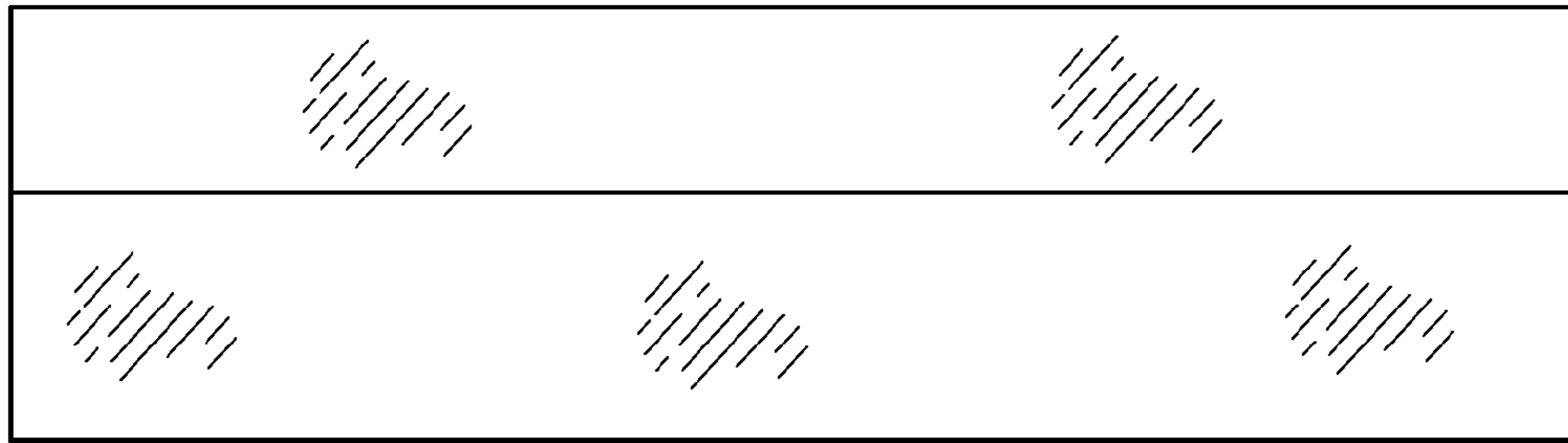


Fig. 9



Fig. 10