



US00D770027S

(12) **United States Design Patent**  
**Noble et al.**

(10) **Patent No.:** **US D770,027 S**  
(45) **Date of Patent:** **\*\* Oct. 25, 2016**

- (54) **FAN**
- (71) Applicant: **DELTA T CORPORATION**,  
Lexington, KY (US)
- (72) Inventors: **Ernest John Noble**, Selangor (MY);  
**Ken Siong Tan**, Selangor (MY); **Jon  
Jet Ling**, Selangor (MY); **Seng Rui  
Chan**, Selangor (MY)
- (73) Assignee: **DELTA T CORPORATION**,  
Lexington, KY (US)
- (\*\*) Term: **15 Years**
- (21) Appl. No.: **29/531,907**
- (22) Filed: **Jun. 30, 2015**
- (51) **LOC (10) Cl.** ..... **23-04**
- (52) **U.S. Cl.**  
USPC ..... **D23/385**
- (58) **Field of Classification Search**  
USPC ..... D14/356; D10/93, 104.1, 108, 114;  
D8/4, 25, 52; D17/20, 22, 23;  
D23/323, 328, 333, 335, 336, 337, 341,  
D23/352, 357, 370, 385, 386, 397, 399, 400,  
D23/406, 411, 413, 499  
CPC ..... H01R 13/5213; B60Q 1/04; B60Q 1/26;  
G10D 3/006; G10D 13/023; G10D 13/027;  
B25B 15/001; G10H 3/143; G10H 3/181;  
G10G 5/005; A42B 1/04; B64C 11/04;  
B64C 11/16; B64C 11/18; B64C 11/20;  
F03D 3/062; F03D 11/04; F04D 19/002;  
F04D 25/068; F04D 25/088; F24F 1/0018  
See application file for complete search history.

|           |     |         |           |       |                          |
|-----------|-----|---------|-----------|-------|--------------------------|
| 1,384,308 | A * | 7/1921  | De Giers  | ..... | B64C 11/20<br>156/221    |
| 1,432,710 | A * | 10/1922 | MacMechen | ..... | B64C 11/005<br>416/210 R |
| 1,522,771 | A * | 1/1925  | Fales     | ..... | G01P 5/06<br>416/204 R   |
| 1,539,273 | A * | 5/1925  | Reed      | ..... | B64C 11/04<br>416/214 R  |
| 1,604,758 | A * | 10/1926 | Reed      | ..... | B64C 11/04<br>416/212 R  |
| 1,623,420 | A * | 4/1927  | Leinweber | ..... | B64C 11/18<br>416/243    |

(Continued)

**FOREIGN PATENT DOCUMENTS**

|    |        |   |         |
|----|--------|---|---------|
| AU | 325331 | S | 3/2009  |
| AU | 328015 | S | 10/2009 |

(Continued)

**OTHER PUBLICATIONS**

HaikuWithSenseME-Black—from TinEye, image post date Jun. 7, 2014, site visited Apr. 16, 2016, (online), <[https://www.tineye.com/search/4a9cabb9aa9ebebe894bd693e56e486a84703fcb/?sort=crawl\\_date&order=asc](https://www.tineye.com/search/4a9cabb9aa9ebebe894bd693e56e486a84703fcb/?sort=crawl_date&order=asc)>.\*

(Continued)

*Primary Examiner* — Thomas Johannes  
*Assistant Examiner* — Sean D Lough  
(74) *Attorney, Agent, or Firm* — King & Schickli, PLLC

(57) **CLAIM**  
The ornamental design for a fan, as shown and described.

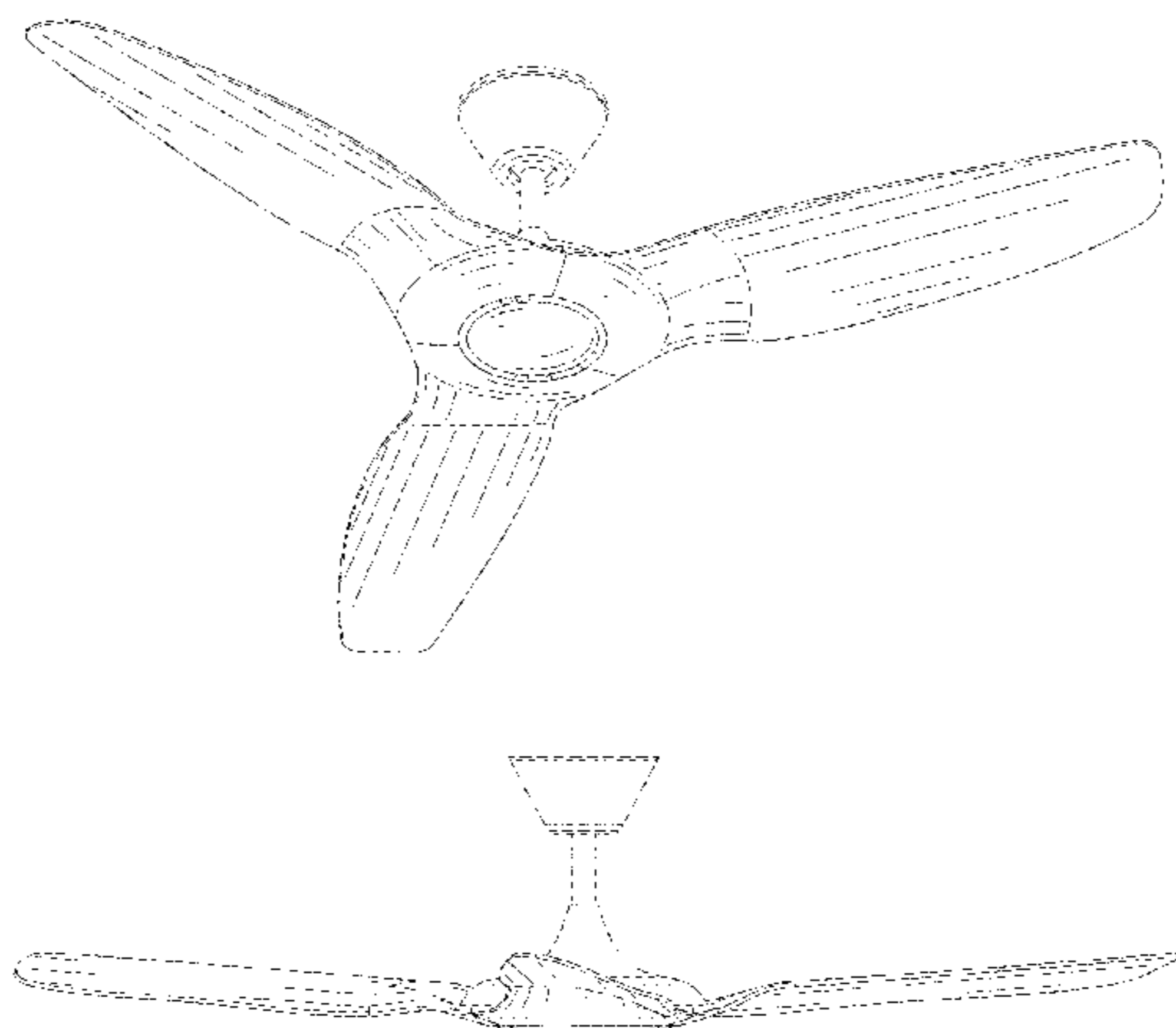
**DESCRIPTION**

FIG. 1 is a bottom perspective view of the fan;  
FIG. 2 is a top perspective view of the fan;  
FIG. 3 is a front view of the fan;  
FIG. 4 is a right side view of the fan;  
FIG. 5 is a rear view of the fan;  
FIG. 6 is a left side view of the fan;  
FIG. 7 is a top view of the fan; and,  
FIG. 8 is a bottom view of the fan.  
The broken line depictions form no part of the claimed design.

**1 Claim, 6 Drawing Sheets**

(56) **References Cited**  
U.S. PATENT DOCUMENTS

|           |     |        |         |       |                         |
|-----------|-----|--------|---------|-------|-------------------------|
| 1,133,191 | A * | 3/1915 | Staples | ..... | F04D 29/34<br>416/214 R |
| 1,166,907 | A * | 1/1916 | Heath   | ..... | F01D 5/282<br>416/230   |
| 1,372,076 | A * | 3/1921 | Luense  | ..... | B64C 11/04<br>219/104   |



(56)

References Cited

U.S. PATENT DOCUMENTS

|           |      |         |                 |                          |           |      |         |                  |                        |
|-----------|------|---------|-----------------|--------------------------|-----------|------|---------|------------------|------------------------|
| 1,650,464 | A *  | 11/1927 | Reed            | B64C 11/04<br>416/207    | D512,498  | S    | 12/2005 | Hidalgo          |                        |
| 1,831,394 | A *  | 11/1931 | Reed            | B64C 11/20<br>416/204 R  | D516,201  | S *  | 2/2006  | Badarello        | D23/411                |
| D97,601   | S    | 11/1935 | Funk            |                          | D517,675  | S    | 3/2006  | Young            |                        |
| D105,260  | S    | 7/1937  | Brannan         |                          | 7,008,192 | B2   | 3/2006  | Hidalgo          |                        |
| D113,347  | S    | 1/1938  | Funk            |                          | D521,625  | S    | 5/2006  | Young            |                        |
| 2,104,207 | A *  | 1/1938  | Miles           | B64C 11/16<br>416/234    | D522,121  | S    | 5/2006  | Hidalgo          |                        |
| 2,222,444 | A *  | 11/1940 | Schmidt         | B64C 11/16<br>416/203    | 7,037,074 | B2   | 5/2006  | Hoshino          |                        |
| 2,269,287 | A *  | 1/1942  | Roberts         | F04D 29/384<br>416/238   | D525,353  | S    | 7/2006  | Hidalgo          |                        |
| D131,699  | S    | 3/1942  | Funk            |                          | D525,699  | S    | 7/2006  | Davenport et al. |                        |
| 2,346,552 | A *  | 4/1944  | Brotz           | B64C 11/20<br>416/236 R  | D528,645  | S    | 9/2006  | Young            |                        |
| D185,104  | S *  | 5/1959  | Twist           | D23/413                  | D530,414  | S    | 10/2006 | Hoshino          |                        |
| 4,073,598 | A    | 2/1978  | Mizutani et al. |                          | D535,011  | S    | 1/2007  | Gajewski         |                        |
| D252,390  | S *  | 7/1979  | Voisard         | 416/214 R                | D535,387  | S    | 1/2007  | Gajewski         |                        |
| D268,521  | S    | 4/1983  | Clemente        |                          | D535,388  | S    | 1/2007  | Gajewski         |                        |
| D283,156  | S    | 3/1986  | Mandelli        |                          | D536,083  | S *  | 1/2007  | Gajewski         | D23/377                |
| D290,748  | S    | 7/1987  | Kawai           |                          | D542,905  | S *  | 5/2007  | Young            | D23/377                |
| D292,313  | S    | 10/1987 | Kawai           |                          | 7,210,910 | B1   | 5/2007  | Parker et al.    |                        |
| 4,974,633 | A *  | 12/1990 | Hickey          | B63H 9/06<br>137/561 R   | D549,315  | S    | 8/2007  | Gajewski         |                        |
| D334,232  | S    | 3/1993  | Searle          |                          | D549,814  | S    | 8/2007  | Gajewski         |                        |
| D345,790  | S    | 4/1994  | Caldwell        |                          | D551,335  | S    | 9/2007  | Gajewski         |                        |
| D355,027  | S    | 1/1995  | Young           |                          | D553,731  | S *  | 10/2007 | Bucher           | D23/411                |
| D357,978  | S    | 5/1995  | Young           |                          | D556,938  | S *  | 12/2007 | Russello         | D26/89                 |
| D396,281  | S    | 7/1998  | Gee, II et al.  |                          | D561,326  | S    | 2/2008  | Gajewski         |                        |
| D396,534  | S    | 7/1998  | Tsuji et al.    |                          | D562,960  | S    | 2/2008  | Gajewski         |                        |
| D397,418  | S    | 8/1998  | Tsuji et al.    |                          | D570,466  | S    | 6/2008  | Gajewski         |                        |
| D397,419  | S    | 8/1998  | Tsuji et al.    |                          | 7,413,410 | B2 * | 8/2008  | Shahin           | F04D 29/384<br>416/238 |
| D399,554  | S    | 10/1998 | Tsuji et al.    |                          | D576,265  | S *  | 9/2008  | Bucher           | D23/377                |
| D399,555  | S    | 10/1998 | Gee, II et al.  |                          | 7,481,626 | B2   | 1/2009  | Gajewski         |                        |
| D407,155  | S    | 3/1999  | Liu             |                          | D595,400  | S    | 6/2009  | Young            |                        |
| 5,920,127 | A *  | 7/1999  | Damron          | B60K 16/00<br>180/65.31  | D596,734  | S *  | 7/2009  | Kihara           | D23/377                |
| D413,378  | S    | 8/1999  | Zuege           |                          | D598,998  | S    | 8/2009  | Flores           |                        |
| 5,951,253 | A *  | 9/1999  | Gajewski        | F04D 25/088<br>416/205   | D599,900  | S    | 9/2009  | Chen             |                        |
| D414,856  | S    | 10/1999 | Zuege           |                          | D612,476  | S    | 3/2010  | Noble            |                        |
| D414,857  | S    | 10/1999 | Zuege           |                          | D614,757  | S    | 4/2010  | Noble            |                        |
| D420,120  | S    | 2/2000  | Evans           |                          | D619,238  | S    | 7/2010  | Hidalgo          |                        |
| 6,019,577 | A *  | 2/2000  | Dye             | F04D 25/088<br>362/147   | D627,873  | S *  | 11/2010 | Pan              | D23/411                |
| D421,797  | S    | 3/2000  | Collmar         |                          | D670,802  | S    | 11/2012 | Wang             |                        |
| 6,042,339 | A    | 3/2000  | Blateri et al.  |                          | D671,203  | S    | 11/2012 | Wang             |                        |
| D422,352  | S    | 4/2000  | Gee, II         |                          | D675,313  | S    | 1/2013  | Lindgren         |                        |
| D425,610  | S    | 5/2000  | Gee, II         |                          | D675,720  | S    | 2/2013  | Martin Conillas  |                        |
| D426,630  | S    | 6/2000  | Gajewski        |                          | D678,997  | S    | 3/2013  | Gajewski         |                        |
| 6,120,247 | A *  | 9/2000  | Wheeler         | F04D 25/088<br>416/1     | D680,210  | S    | 4/2013  | Chan             |                        |
| D445,887  | S    | 7/2001  | Campbell        |                          | 8,430,541 | B2   | 4/2013  | Ko               |                        |
| D451,185  | S    | 11/2001 | Kario           |                          | D690,409  | S    | 9/2013  | Noble et al.     |                        |
| D453,216  | S    | 1/2002  | Gajewski        |                          | D692,120  | S    | 10/2013 | Noble et al.     |                        |
| 6,354,801 | B1 * | 3/2002  | Gajewski        | F04D 25/088<br>415/121.2 | 8,602,725 | B2   | 12/2013 | Itou et al.      |                        |
| D456,503  | S *  | 4/2002  | Young           | D23/413                  | 8,602,733 | B2   | 12/2013 | Christofi et al. |                        |
| D463,020  | S    | 9/2002  | Liu             |                          | D707,336  | S *  | 6/2014  | Pan              | D23/377                |
| D476,408  | S    | 6/2003  | Hidalgo         |                          | 8,749,088 | B2 * | 6/2014  | Zohar            | F03D 9/00<br>290/55    |
| D477,068  | S    | 7/2003  | Hsieh           |                          | 8,770,949 | B2   | 7/2014  | Noble            |                        |
| D478,654  | S *  | 8/2003  | Hidalgo         | D23/413                  | D715,418  | S    | 10/2014 | Schulzman        |                        |
| D478,974  | S    | 8/2003  | Hidalgo         |                          | D715,419  | S *  | 10/2014 | Schulzman        | D23/377                |
| D478,980  | S    | 8/2003  | Hidalgo         |                          | D716,436  | S    | 10/2014 | Johnson          |                        |
| D483,474  | S    | 12/2003 | Young           |                          | D716,438  | S *  | 10/2014 | Liu              | D23/377                |
| D484,964  | S    | 1/2004  | Young           |                          | D721,429  | S *  | 1/2015  | Busta            | D23/377                |
| 6,676,375 | B2 * | 1/2004  | Steeves         |                          | D721,430  | S *  | 1/2015  | Schulzman        | D23/377                |
|           |      |         | LeBlanc         | F21V 33/0096<br>362/406  | D721,800  | S *  | 1/2015  | Busta            | D23/413                |
| D490,510  | S    | 5/2004  | Cohen           |                          | 8,937,799 | B2 * | 1/2015  | Tanaka           | F01D 5/14<br>361/225   |
| 6,884,034 | B1 * | 4/2005  | Parker          | F04D 25/088<br>416/1     | D726,298  | S *  | 4/2015  | Busta            | D23/411                |
| D510,763  | S    | 10/2005 | Da Costa        |                          | 9,004,863 | B2   | 4/2015  | Gajewski         |                        |
| D511,207  | S    | 11/2005 | Young           |                          | D732,657  | S *  | 6/2015  | Peterson         | D23/413                |
|           |      |         |                 |                          | 9,079,115 | B2 * | 7/2015  | Huang            | A63H 27/02             |
|           |      |         |                 |                          | D741,468  | S *  | 10/2015 | Ertze            | D23/377                |
|           |      |         |                 |                          | D741,469  | S    | 10/2015 | Pan              |                        |
|           |      |         |                 |                          | D741,988  | S    | 10/2015 | Pan              |                        |
|           |      |         |                 |                          | D742,500  | S *  | 11/2015 | Pan              | D23/413                |
|           |      |         |                 |                          | D745,448  | S *  | 12/2015 | Hawkins          | D12/214                |
|           |      |         |                 |                          | D745,956  | S    | 12/2015 | Ertze            |                        |
|           |      |         |                 |                          | D747,452  | S *  | 1/2016  | Gajewski         | D23/377                |
|           |      |         |                 |                          | D750,211  | S *  | 2/2016  | Arai et al.      | D23/379                |
|           |      |         |                 |                          | D750,213  | S *  | 2/2016  | Schulzman        | D23/385                |
|           |      |         |                 |                          | D750,214  | S *  | 2/2016  | Busta            | D23/385                |
|           |      |         |                 |                          | D750,219  | S *  | 2/2016  | Gajewski         | D23/411                |
|           |      |         |                 |                          | D751,026  | S *  | 3/2016  | Tao              | D12/345                |
|           |      |         |                 |                          | 9,284,962 | B2 * | 3/2016  | Long             | B64C 11/00             |
|           |      |         |                 |                          | 9,285,111 | B2 * | 3/2016  | Todd, Jr.        | F21V 33/0096           |



(56)

References Cited

U.S. PATENT DOCUMENTS

2003/0235503 A1\* 12/2003 Tang ..... F04D 25/088  
416/241 R

2004/0151588 A1\* 8/2004 Liang ..... F04D 29/36  
416/142

2005/0147494 A1\* 7/2005 Hoshino ..... F04D 29/388  
416/62

2006/0255226 A1\* 11/2006 Frampton ..... F04D 25/088  
248/343

2008/0138204 A1\* 6/2008 Cartwright ..... F04D 25/088  
416/204 R

2009/0122572 A1\* 5/2009 Page ..... F04D 25/088  
362/555

2009/0220347 A1\* 9/2009 Ball ..... B64C 11/26  
416/229 R

2010/0040494 A1\* 2/2010 Yamamoto ..... F04D 29/059  
417/423.7

2010/0098545 A1\* 4/2010 Liu ..... F03D 3/062  
416/204 R

2011/0165002 A1\* 7/2011 Noble ..... F04D 25/088  
417/423.7

2011/0274561 A1\* 11/2011 Kobayashi ..... F04D 27/004  
417/14

2012/0014796 A1\* 1/2012 Cartwright ..... F04D 25/088  
416/142

2012/0099997 A1\* 4/2012 Song ..... F03D 3/064  
416/210 R

2013/0045103 A1\* 2/2013 Iwamoto ..... F04D 25/088  
416/170 R

2013/0189109 A1 7/2013 Noble

2013/0251522 A1\* 9/2013 Oleson ..... F01D 25/28  
415/213.1

2013/0272879 A1\* 10/2013 Chen ..... F04D 29/002  
416/5

2013/0280077 A1\* 10/2013 Iwamoto ..... F04D 25/088  
416/204 R

2013/0302169 A1\* 11/2013 Hennes ..... F03B 13/264  
416/170 R

2013/0336797 A1\* 12/2013 Wang ..... F04D 29/329  
416/214 R

2014/0119924 A1\* 5/2014 Hiner ..... F04D 17/161  
416/198 R

2014/0119925 A1 5/2014 Wang

2015/0004022 A1\* 1/2015 Noble ..... F04D 25/088  
417/410.1

2015/0086375 A1\* 3/2015 Kuramochi ..... F04D 29/34  
416/220 R

2015/0198175 A1\* 7/2015 Lin ..... F04D 29/34  
416/212 R

2015/0198180 A1\* 7/2015 Gajewski ..... F04D 25/088  
416/247 R

2015/0204346 A1\* 7/2015 Gajewski ..... F04D 25/088  
416/5

2015/0377241 A1\* 12/2015 Hoemann ..... F04D 19/002  
417/423.7

2016/0018119 A1 1/2016 Desmet et al.

FOREIGN PATENT DOCUMENTS

AU 344439 S 9/2012

AU 344441 S 9/2012

AU 344442 S 9/2012

AU 344440 S 11/2012

BR MU8701580-3 U2 7/2009

CN 3035947 10/1995

CN 3052179 12/1996

CN 3326631 10/2003

CN 3342283 12/2003

CN 3373899 6/2004

CN 3379773 7/2004

CN 3464463 7/2005

CN 3608404 2/2007

CN 3613716 2/2007

CN 3643915 5/2007

CN 3657836 6/2007

CN 3669173 7/2007

CN 300719583 12/2007

CN 300776509 5/2008

CN 300831125 9/2008

CN 300831150 9/2008

CN 300943819 6/2009

CN 300952851 7/2009

CN 300966332 7/2009

CN 300980833 8/2009

CN 301099596 12/2009

CN 301118857 1/2010

CN 301118858 1/2010

CN 301118904 1/2010

CN 301149979 3/2010

CN 301167853 3/2010

CN 301167858 3/2010

CN 301202407 5/2010

CN 301220317 5/2010

CN 301220319 5/2010

CN 201546988 U 8/2010

CN 301321389 8/2010

CN 101876318 A 11/2010

CN 301386354 11/2010

CN 301403834 12/2010

CN 301515901 4/2011

CN 301524021 4/2011

CN 301582345 6/2011

CN 301687620 9/2011

CN 202056077 U 11/2011

CN 301735230 11/2011

CN 301735236 11/2011

CN 301735240 11/2011

CN 202132274 U 2/2012

CN 202165288 U 3/2012

CN 202560594 U 11/2012

CN 203189290 U 9/2013

CN 104033399 A 9/2014

CN 104100544 A 10/2014

CN 204003607 U 12/2014

CN 303071225 S 1/2015

CN 303120447 S 3/2015

CN 303340545 S 8/2015

CN 105221451 A 1/2016

CN 204961350 U 1/2016

CN 303566447 S 1/2016

CN 303218947 S 5/2016

DE 202005019872 U 7/2006

EM 000766829-0012 9/2007

EM 000766829-0015 9/2007

EM 000766829-0020 9/2007

EM 000766829-0027 9/2007

EM 000766829-0038 9/2007

EM 002095711-0004 3/2012

EM 002095711-0003 12/2012

EM 002095711-0005 12/2012

EM 002095711-0006 12/2012

EM 001356059-0001 1/2013

GB 2050058 7/1996

GB 3005085 7/2002

JP D1194006 1/2004

JP D1270347 5/2006

JP D1284753 10/2006

JP 2007247573 A 9/2007

JP 2012026380 A 2/2012

SG 193219 A1 9/2013

TW 203457 S1 4/1993

TW 204891 S1 4/1993

TW 241026 S1 2/1995

TW 352920 S1 2/1999

TW 467555 S1 12/2001

WO 2011138626 11/2011

WO 2015142871 A1 9/2015

OTHER PUBLICATIONS

Big Ass Fans Haiku Ceiling Fan with SenseME—from CNET, image post date Jun. 4, 2014, site visited Apr. 16, 2016, (online), <<http://www.cnet.com/products/big-ass-fans-haiku-ceiling-fan-with-senseme/>>.\*

(56)

## References Cited

## OTHER PUBLICATIONS

Haiku 5 Foot Ceiling Fan—from YouTube, image post date Jul. 16, 2013, site visited Apr. 16, 2016, (online), <[https://www.youtube.com/watch?v=OAWveTjw\\_S4](https://www.youtube.com/watch?v=OAWveTjw_S4)>.\*

Haiku L Series Fan: 52", Black, Universal Mount: Black [https://www.haikuhome.com/haiku-l-series-fan-52-black-universal-mount-black?utm\\_source=google&utm\\_medium=shop&utm\\_campaign=GGL-SHOP-L52-BL&rt=rf](https://www.haikuhome.com/haiku-l-series-fan-52-black-universal-mount-black?utm_source=google&utm_medium=shop&utm_campaign=GGL-SHOP-L52-BL&rt=rf) Printed Mar. 8, 2016.

Montecarlo Minimalist Ceiling Fan Model 3MNLR56BSD <http://www.hansenwholesale.com/ceilingfans/montecarlo/model.asp?ProdNo=MC-3MNLR56BSD> Printed Mar. 8, 2016.

This New Ceiling Fan Design Solves A Problem That All Ceiling Fans Have Had Since 1882 <http://www.businessinsider.com/haiku-smart-ceiling-fan-2014-6> Printed Mar. 8, 2016.

Back to Post:Ceiling Fans Application to the Living Room ceiling fans no lights <http://dreceera.info/ceiling-fans-application-to-the-living-room.html/ceiling-fans-no-lights> Printed Mar. 8, 2016.

52" Casa Delta-Wing™ Bronze Outdoor Ceiling Fan 52" Casa DeltaWing Bronze Outdoor Ceiling Fan #4F570 | LampsPlus.com [http://www.lampsplus.com/products/52-inch-casa-delta-wing-bronze-outdoor-ceiling-fan\\_4f570.html](http://www.lampsplus.com/products/52-inch-casa-delta-wing-bronze-outdoor-ceiling-fan_4f570.html) Printed Mar. 8, 2016.

Spitfire 60" Ceiling Fan Sleek and elegant cooling <http://www.myfan.com.au/ceiling-fans/spitfire/> Printed Mar. 8, 2016.

Craftmade SON52CH, Sonnet Chrome 60 <http://www.delmarfans.com/craftmade-ceiling-fans/sonnet/son52ch/> Printed Mar. 8, 2016.

Three Blade Washed timber ceiling fan <http://www.houzz.com/photos/22163832/Three-Blade-Washed-timber-ceiling-fan-contemporary-ceiling-fans-other-metro> Printed Mar. 8, 2016.

Aeratron AE3 43-Inch Triple Blade Ceiling Fan—Matte White [http://store.dwell.com/aeratronae343triplebladeceilingfan.html?gclid=CP6V2PCvsssCFZI9gQodUoAEgA&a\\_\\_92=1932](http://store.dwell.com/aeratronae343triplebladeceilingfan.html?gclid=CP6V2PCvsssCFZI9gQodUoAEgA&a__92=1932) Printed Mar. 8, 2016.

Westinghouse 7869100 46" White 3-Blade Reversible Ceiling Fan with Light <http://www.walmart.com/ip/27021874?wmlspartner=wlp&selectedSellerId=0&>

adid=2222222227018433423&w10=&w11=g&w12=c&w13=52406259431&w14=&w15=pla&w16=83970368351&veh=sem.

Monte Carlo 3MO52WHO-L Mach One 52-Inch 3- Blade Ceiling Fan with Remote and Light Kit, White Finish <http://www.amazon.com/Monte-Carlo-3MO52WHO-L-52-Inch-3-Blade/dp/B0038KY442> Printed Mar. 8, 2016.

Decoration, Simple Brown Ceiling Fan With Light Design With Triple Blade And White Lamp <http://lighthom.xyz/add-to-the-look-of-a-room-with-fancy-ceiling-fan-ideas/simple-brown-ceiling-fan-with-light-design-with-triple-blade-and-white-lamp/> Printed Mar. 8, 2016.

The Flow Modern Ceiling Fan Flow 3Blade Modern Ceiling Fan | Barn Light Electric <http://www.barnlightelectric.com/barn-ceiling-fans/modern-ceiling-fans/the-flow-modern-ceiling-fan.html> Printed Mar. 8, 2016.

Techno 132 cm ceiling fan with three blades and LED light kit <http://www.westinghouselighting.eu/ceiling-fans/modern/techno-132-cm-ceiling-fan-with-three-blades-and-led-light-kit-7827040.aspx> Printed Mar. 8, 2016.

Del Mar Fans & Lighting Ceiling Fan Rating System Ceiling Fan Ratings | Who Makes the Best Ceiling Fans <http://www.delmarfans.com/educate/ceiling-fan-rating-guide/> Aug. 1, 2013 Printed Mar. 8, 2016.

Letter dated Feb. 22, 2016 Response from Barnes & Thornburg LLP (Dwight D. Lueck) to King & Schickli, PLLC (Andrew D. Dorisio) Re: TropoAir Vogue 60" DC Ceiling Fan.

3-blade versus 4-blade or 5-blade ceiling fan efficiency <http://g2art.com/> 5 Pages.

Westinghouse Lighting Industrial 56Inch Indoor Ceiling Fan Industrial 56-Inch Three-Blade Indoor Ceiling Fan Brushed Nickel with Brushed Nickel Steel Blades <https://web.archive.org/web/20110706214449/http://www.westinghouselighting.com/ceilingfans/56inchceilingfan/>.

Photographs of Deka SV3 Fan—available for sale approximately Jun. 25, 2014.

\* cited by examiner

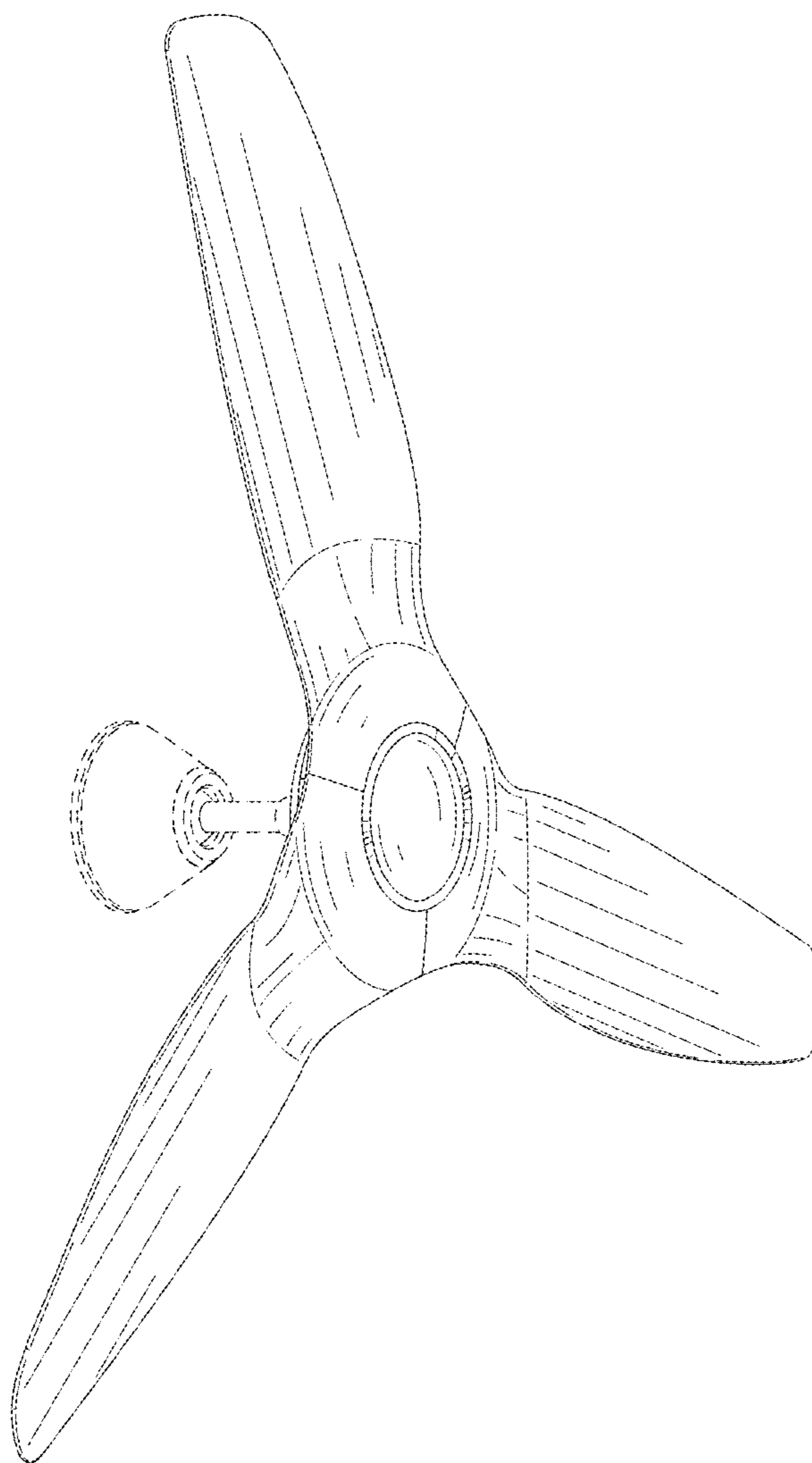


FIG. 1



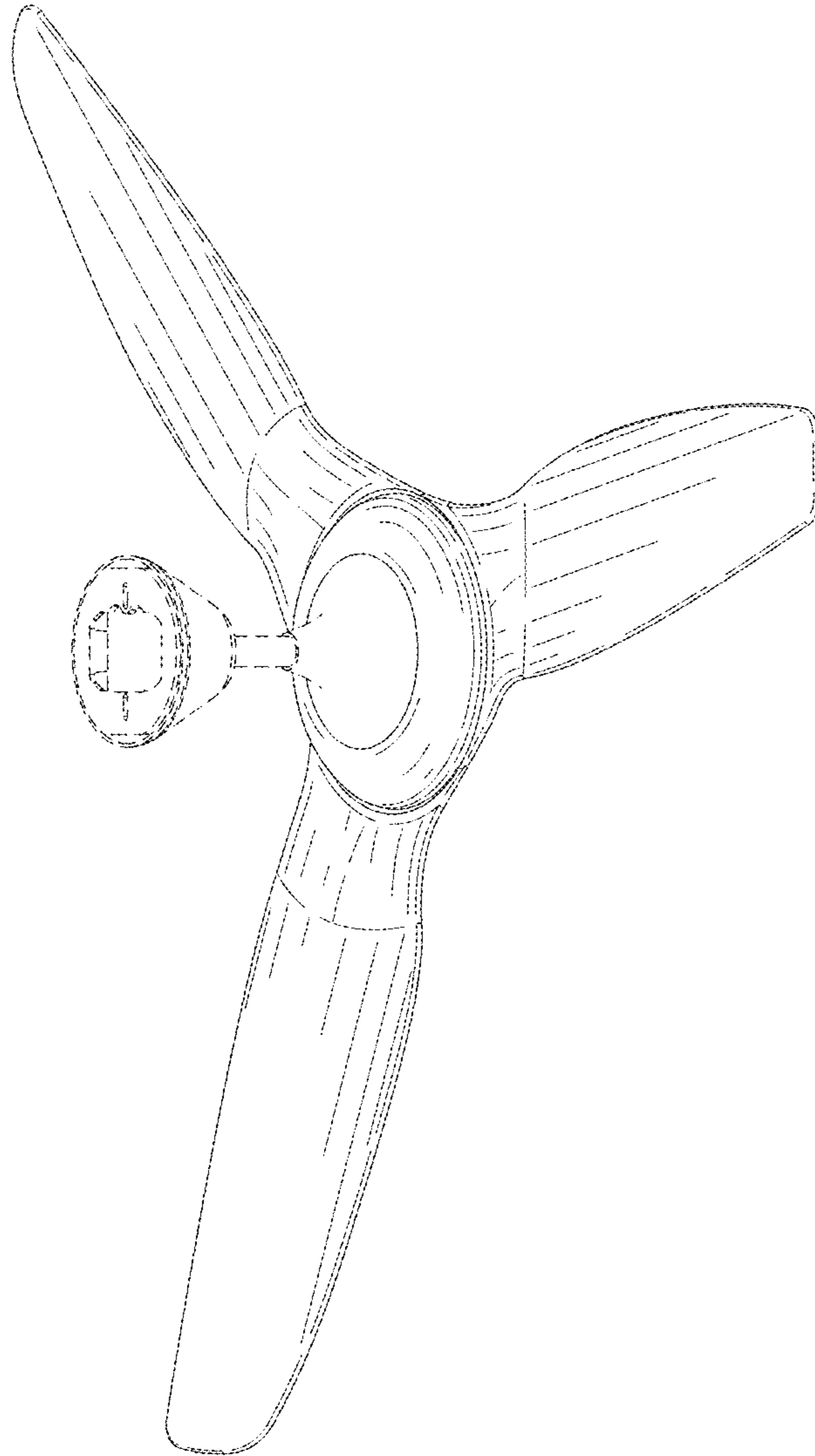


FIG. 2

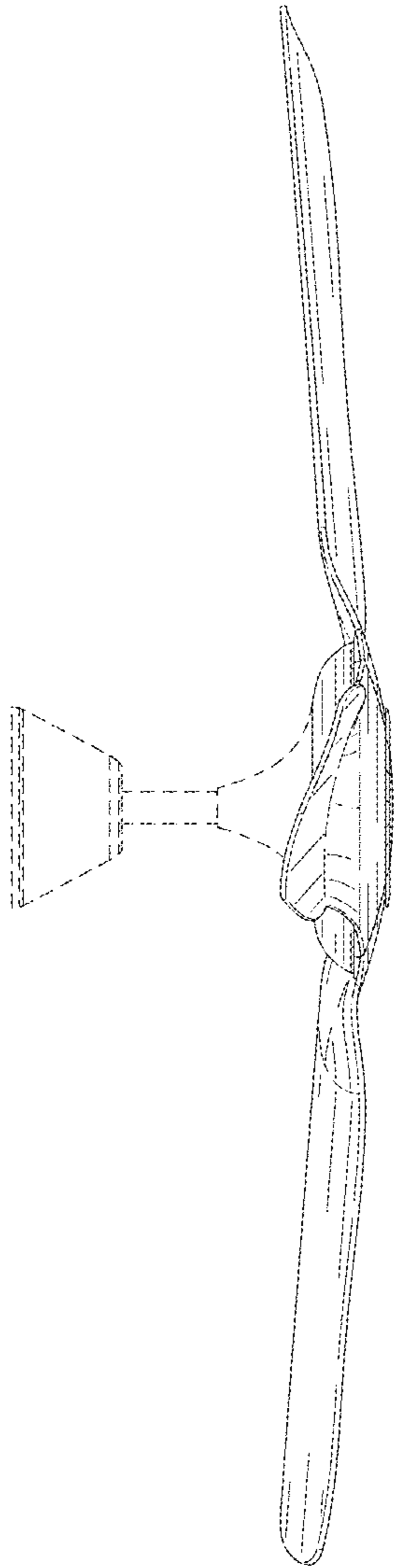


FIG. 3

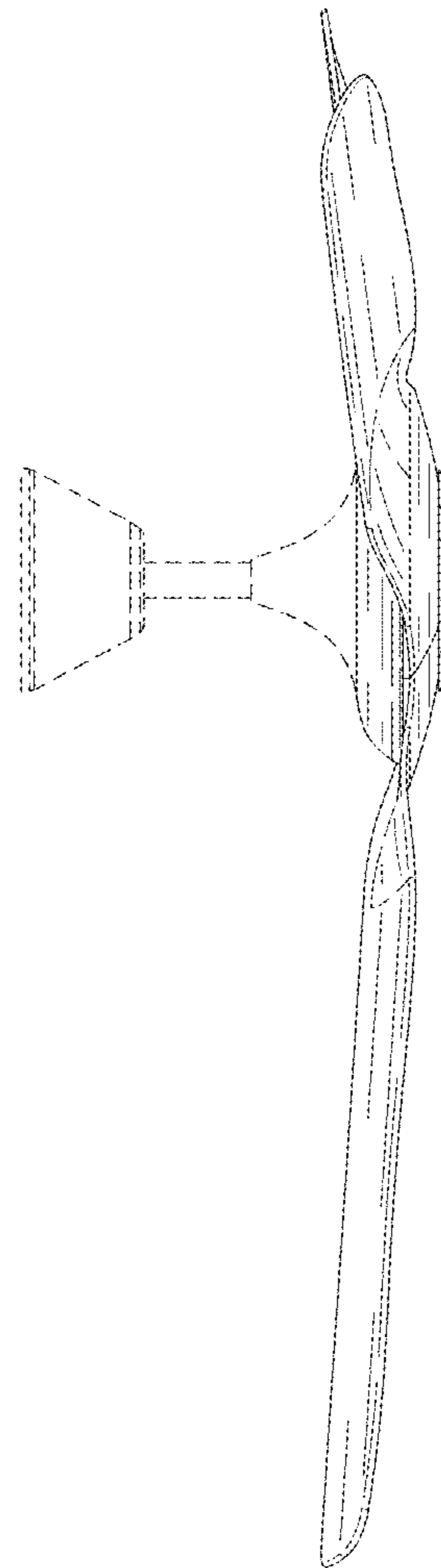


FIG. 4

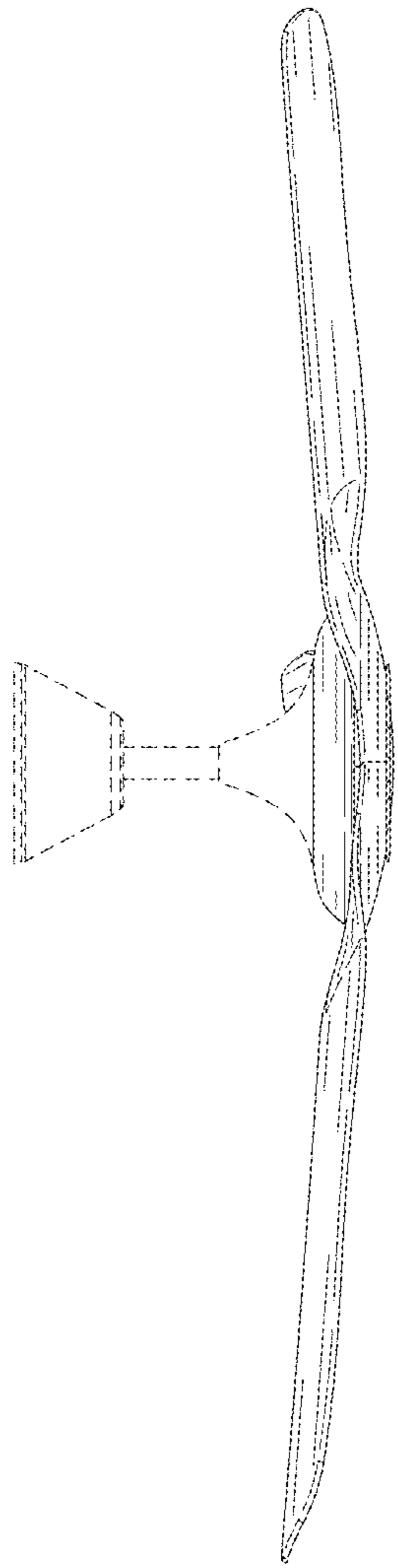


FIG. 5

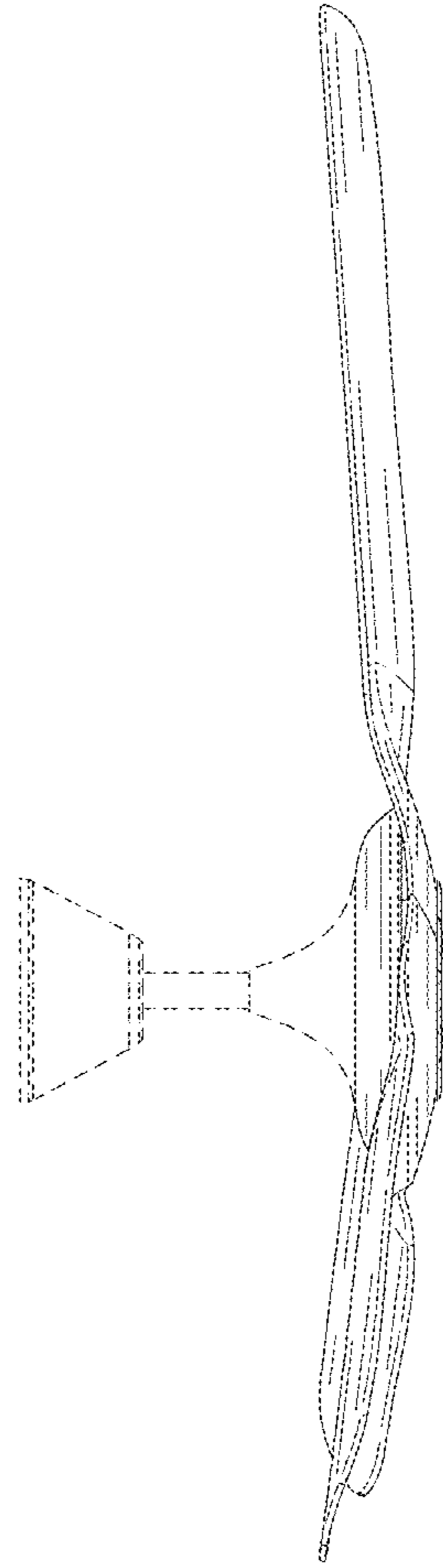


FIG. 6



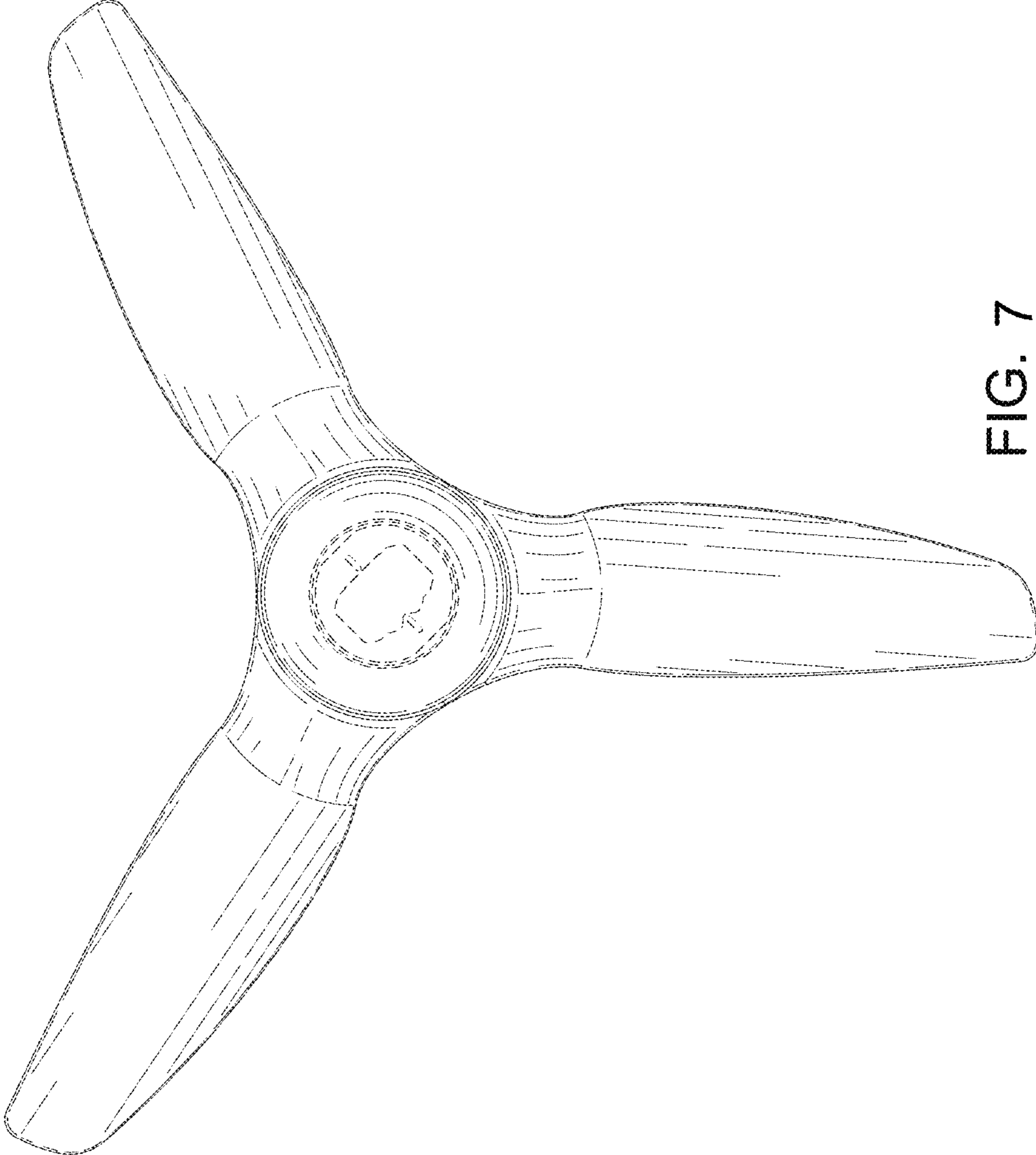


FIG. 7

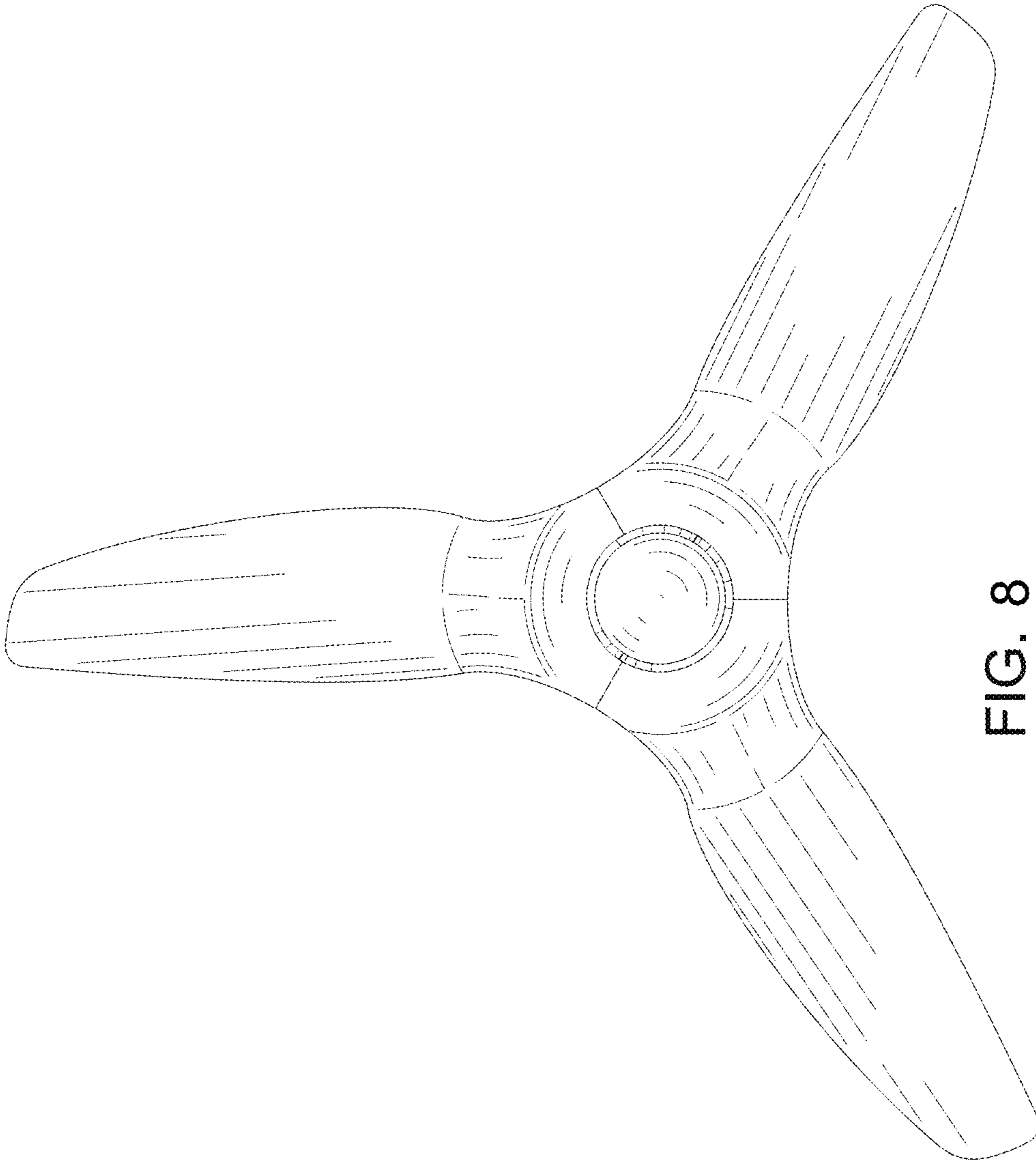


FIG. 8