



US00D770024S

(12) **United States Design Patent** (10) **Patent No.:** **US D770,024 S**
Nakai et al. (45) **Date of Patent:** **** Oct. 25, 2016**

(54) **AIR CONDITIONER**
(71) Applicant: **MITSUBISHI ELECTRIC CORPORATION**, Tokyo (JP)
(72) Inventors: **So Nakai**, Tokyo (JP); **Takayuki Nishiguchi**, Tokyo (JP); **Takahiro Yamaguchi**, Tokyo (JP); **Jangryul Rim**, Tokyo (JP)
(73) Assignee: **MITSUBISHI ELECTRIC CORPORATION**, Tokyo (JP)
(**) Term: **14 Years**
(21) Appl. No.: **29/508,889**
(22) Filed: **Nov. 12, 2014**
(30) **Foreign Application Priority Data**
Jun. 18, 2014 (JP) 2014-013225
Jun. 18, 2014 (JP) 2014-013226
Jun. 18, 2014 (JP) 2014-013227
Jun. 18, 2014 (JP) 2014-013228
(51) **LOC (10) Cl.** **23-04**
(52) **U.S. Cl.**
USPC **D23/351**
(58) **Field of Classification Search**
USPC D23/324-327, 332-334, 342-344, D23/351-354, 370, 385, 388; 165/121; 454/284; 62/259.1, 298, 75
CPC F24F 13/08; F24F 13/15; F24F 13/1413; F24F 1/00; F24F 1/27; F24F 2001/0037; F24F 2001/004; F24F 2001/0048
See application file for complete search history.

D702,335 S * 4/2014 Saitou D23/351
D715,909 S * 10/2014 Shiota D23/351
2006/0130516 A1* 6/2006 Sugiyama F24F 1/56
62/507

FOREIGN PATENT DOCUMENTS

JP 1317266 S 12/2007

OTHER PUBLICATIONS

Archie Expo [online]. Retrieved on Apr. 20, 2016 from URL: <http://www.archiexpo.com/prod/airmaster-s/product-69625-1127973.html>.
An Office Action; "Notice of Reasons for Rejection," issued by the Japanese Patent Office on Mar. 17, 2015, which corresponds to Japanese Design Patent Application No. 2014-013225 and is related to Design U.S. Appl. No. 29/508,889.
An Office Action; "Notice of Reasons for Rejection," issued by the Japanese Patent Office on Mar. 17, 2015, which corresponds to Japanese Design Patent Application No. 2014-013226 and is related to Design U.S. Appl. No. 29/508,889.
An Office Action; "Notice of Reasons for Rejection," issued by the Japanese Patent Office on Mar. 17, 2015, which corresponds to Japanese Design Patent Application No. 2014-013227 and is related to Design U.S. Appl. No. 29/508,889.
An Office Action; "Notice of Reasons for Rejection," issued by the Japanese Patent Office on Mar. 17, 2015, which corresponds to Japanese Design Patent Application No. 2014-013228 and is related to Design U.S. Appl. No. 29/508,889.

* cited by examiner

Primary Examiner — Manpreet Matharu
Assistant Examiner — Keith Wilson
(74) *Attorney, Agent, or Firm* — Studebaker & Brackett PC

(56) **References Cited**
U.S. PATENT DOCUMENTS
D580,033 S * 11/2008 Seki D23/351
D595,397 S * 6/2009 Park D23/351
D605,270 S * 12/2009 Vibrans D23/351
D621,921 S * 8/2010 Ishida D23/351
D623,281 S * 9/2010 Ishida D23/351
D641,850 S * 7/2011 Saitou D23/351
D657,033 S * 4/2012 Chouji D23/351
D699,828 S * 2/2014 Saitou D23/351

(57) **CLAIM**
The ornamental design for an air conditioner, as shown and described.

DESCRIPTION

FIG. 1 is a perspective view of air conditioner showing a first embodiment of our new design;

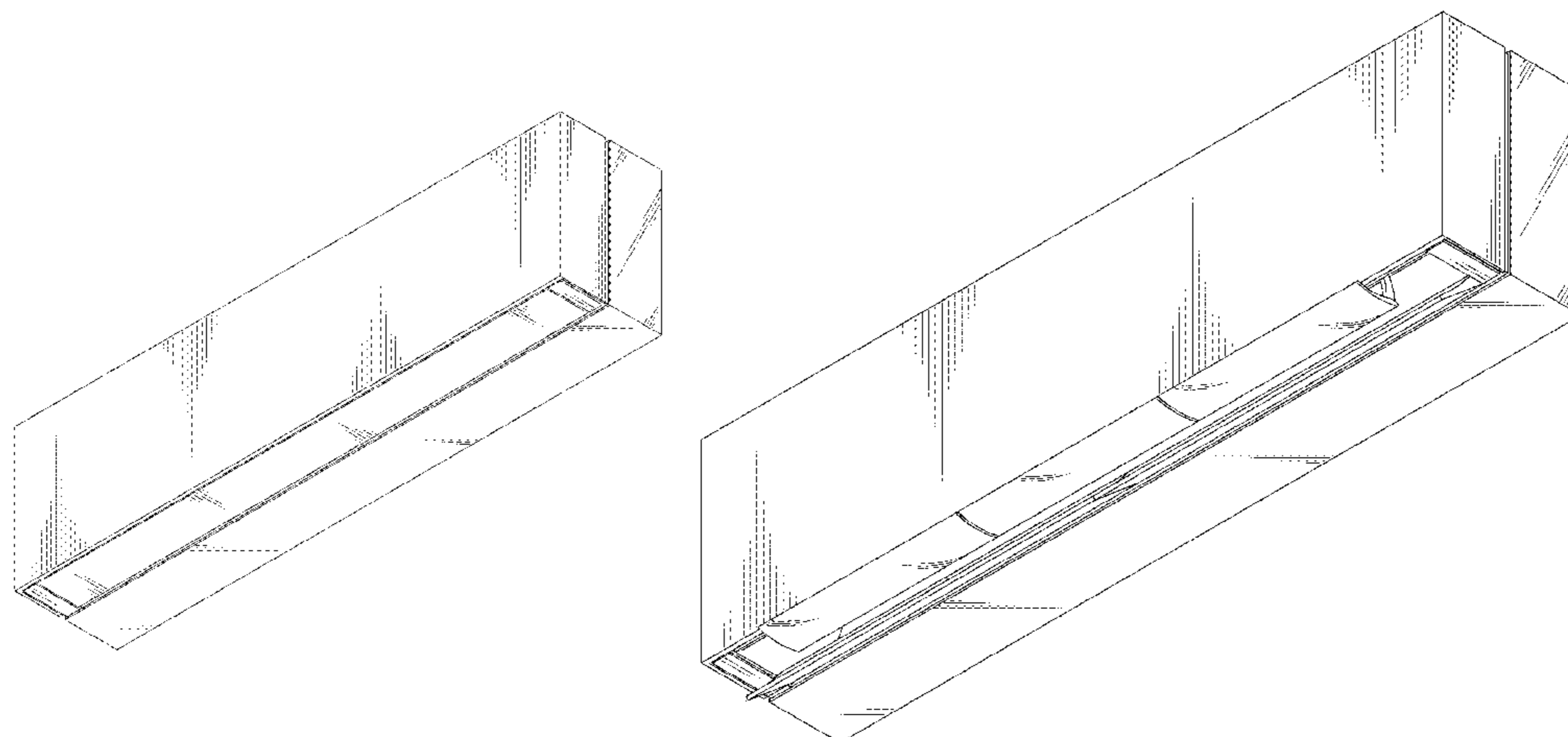


FIG. 2 is a perspective view showing an operation state thereof;

FIG. 3 is a front view thereof;

FIG. 4 is a rear view thereof;

FIG. 5 is a left side view thereof;

FIG. 6 is a right side view thereof;

FIG. 7 is a top view thereof;

FIG. 8 is a bottom view thereof;

FIG. 9 is a perspective view of air conditioner showing a second embodiment of our new design;

FIG. 10 is a perspective view showing an operation state thereof;

FIG. 11 is a front view thereof;

FIG. 12 is a rear view thereof;

FIG. 13 is a left side view thereof;

FIG. 14 is a right side view thereof;

FIG. 15 is a top view thereof;

FIG. 16 is a bottom view thereof;

FIG. 17 is a perspective view of air conditioner showing a third embodiment of our new design;

FIG. 18 is a perspective view showing an operation state thereof;

FIG. 19 is a front view thereof;

FIG. 20 is a rear view thereof;

FIG. 21 is a left side view thereof;

FIG. 22 is a right side view thereof;

FIG. 23 is a top view thereof;

FIG. 24 is a bottom view thereof;

FIG. 25 is a perspective view of air conditioner showing a fourth embodiment of our new design;

FIG. 26 is a perspective view showing an operation state thereof;

FIG. 27 is a front view thereof;

FIG. 28 is a rear view thereof;

FIG. 29 is a left side view thereof;

FIG. 30 is a right side view thereof;

FIG. 31 is a top view thereof; and,

FIG. 32 is a bottom view thereof.

1 Claim, 20 Drawing Sheets

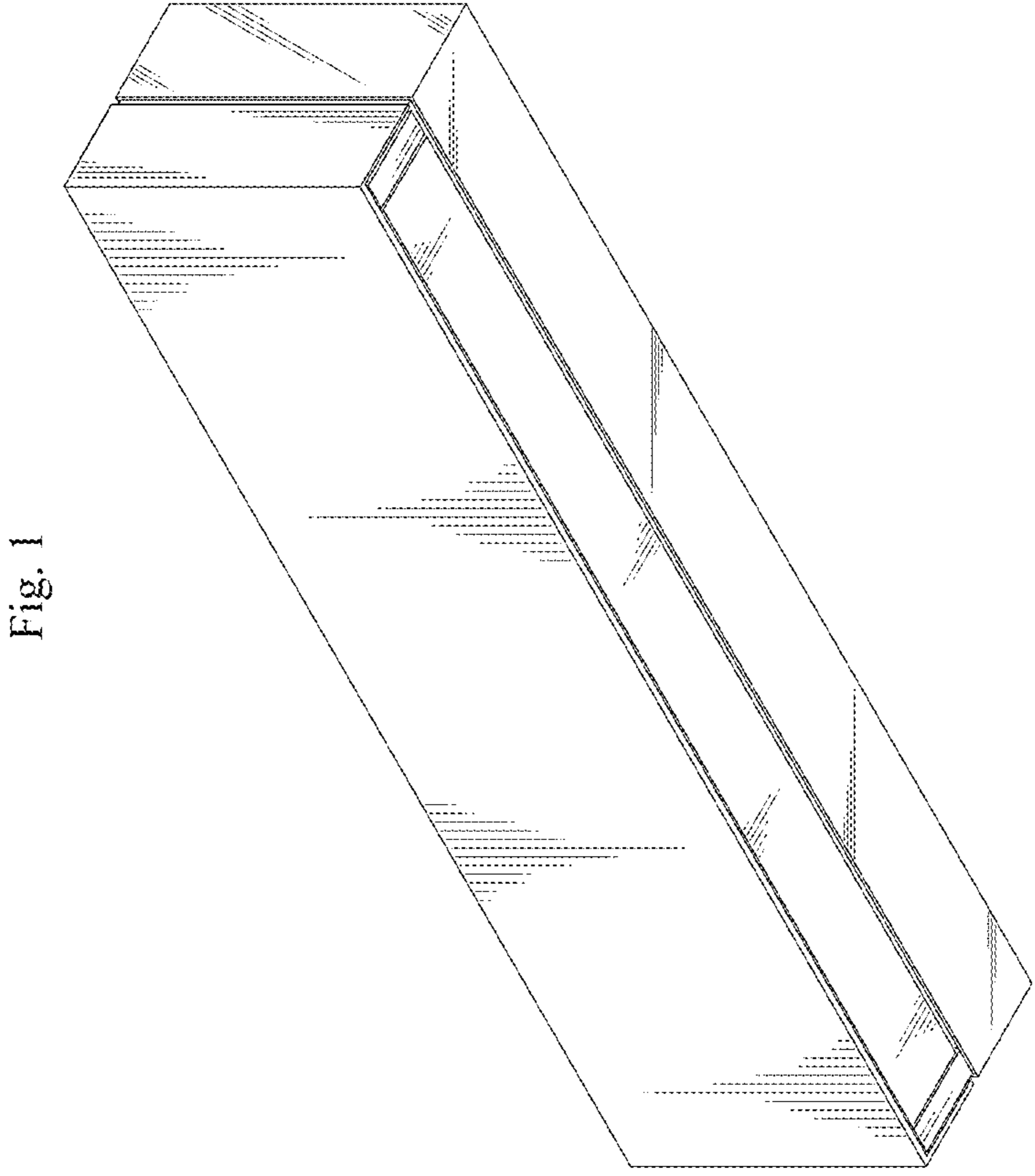


Fig. 1

Fig. 2

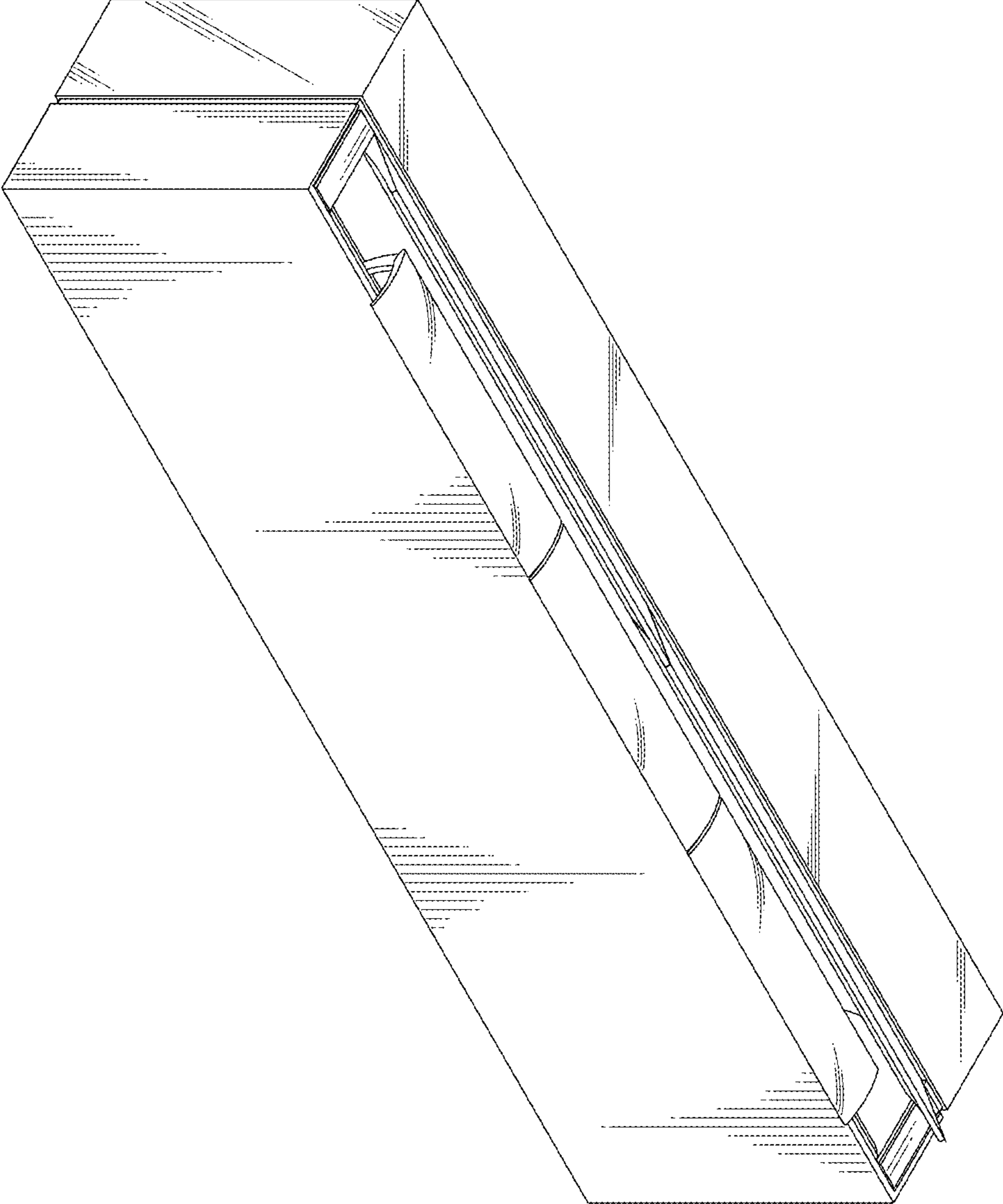


Fig. 3

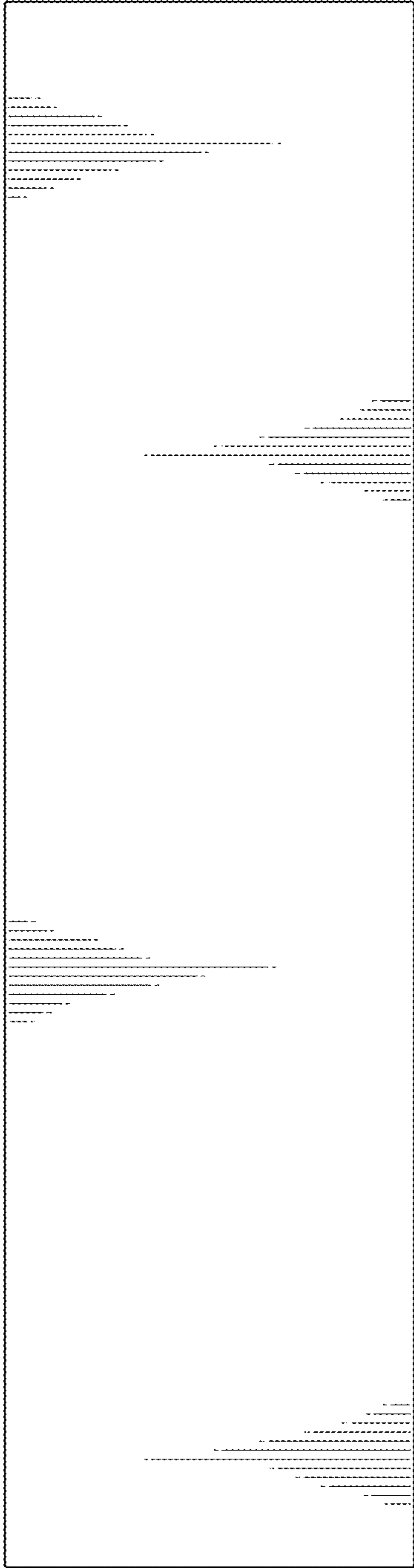


Fig. 4

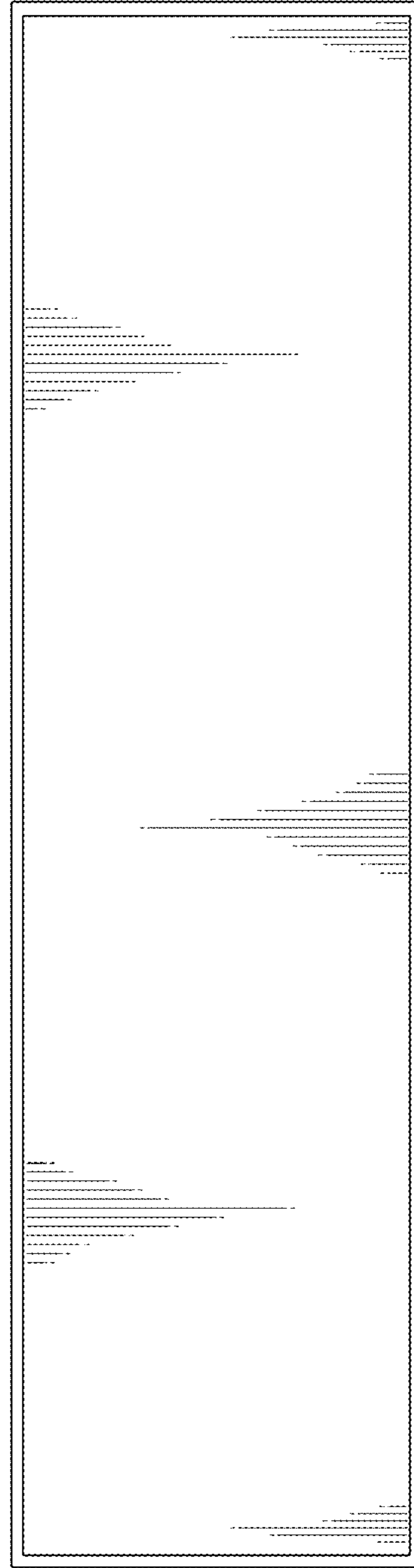


Fig. 6

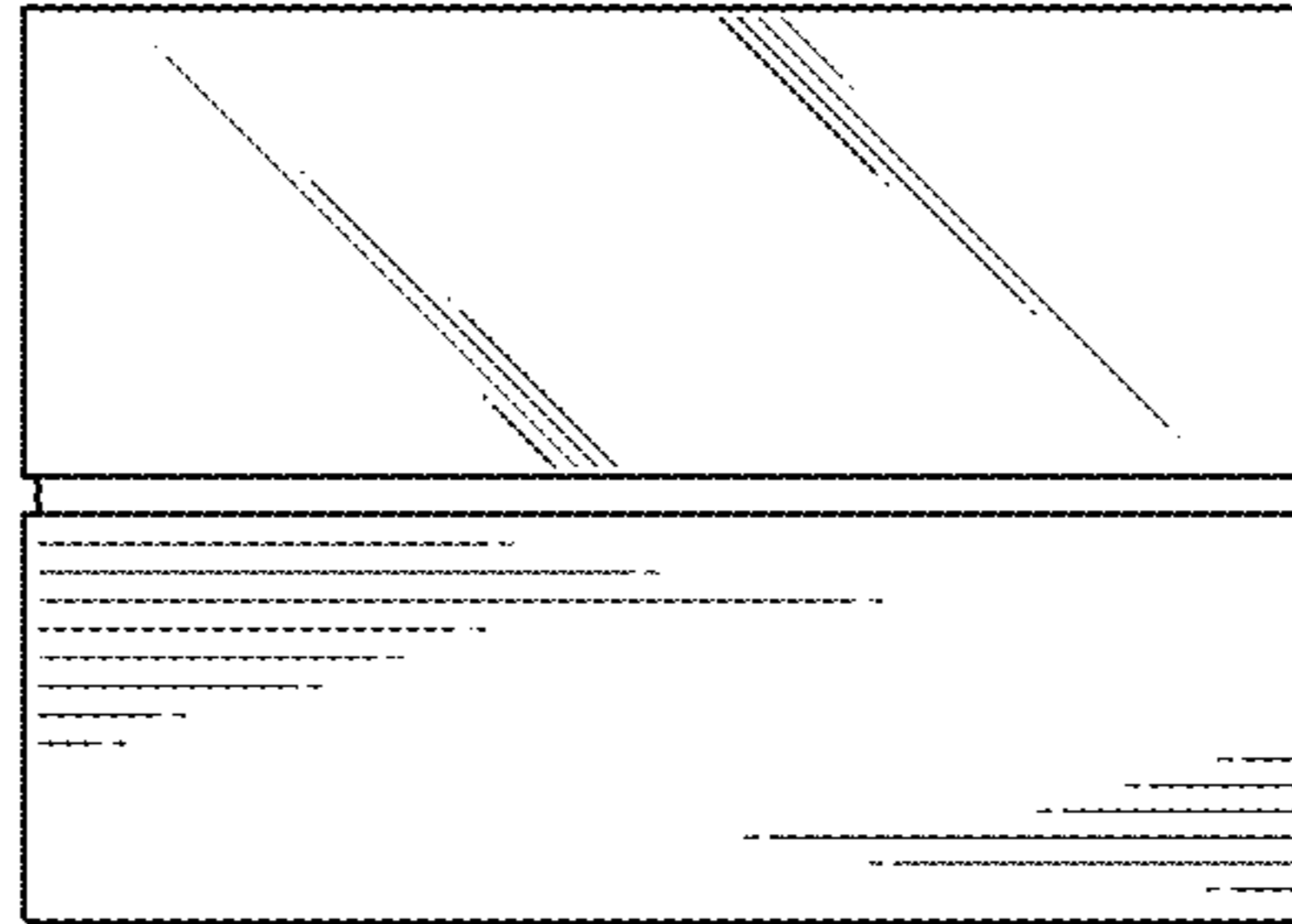


Fig. 5

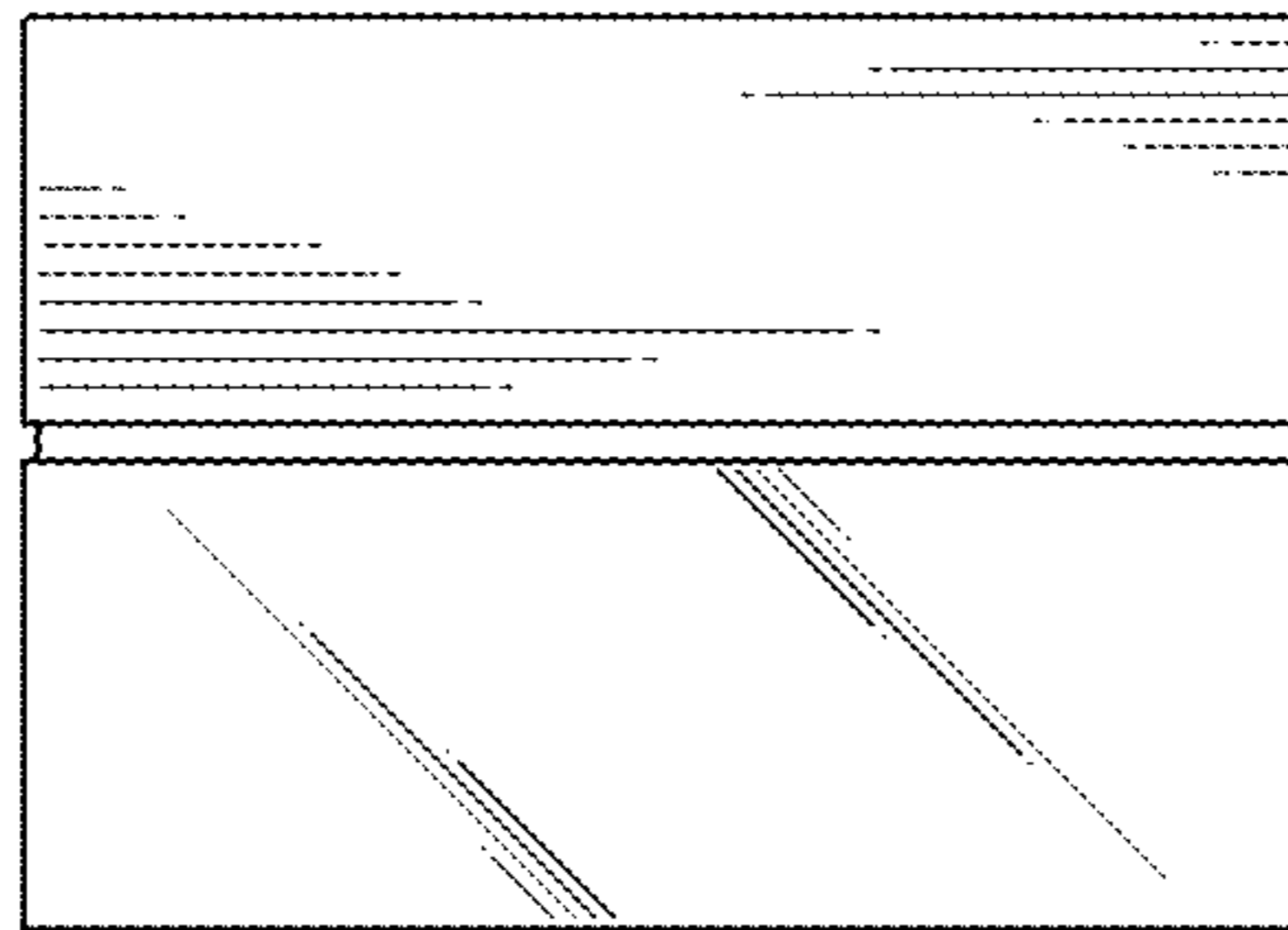


Fig. 7

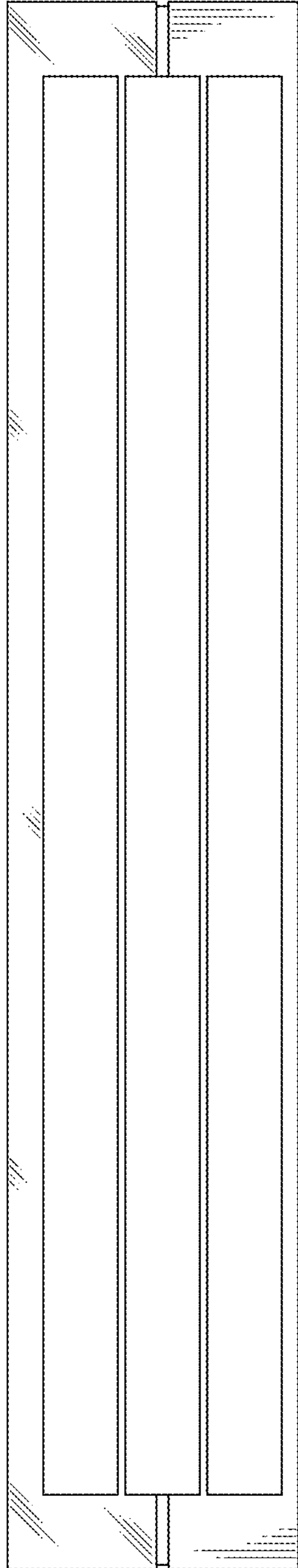


Fig. 8

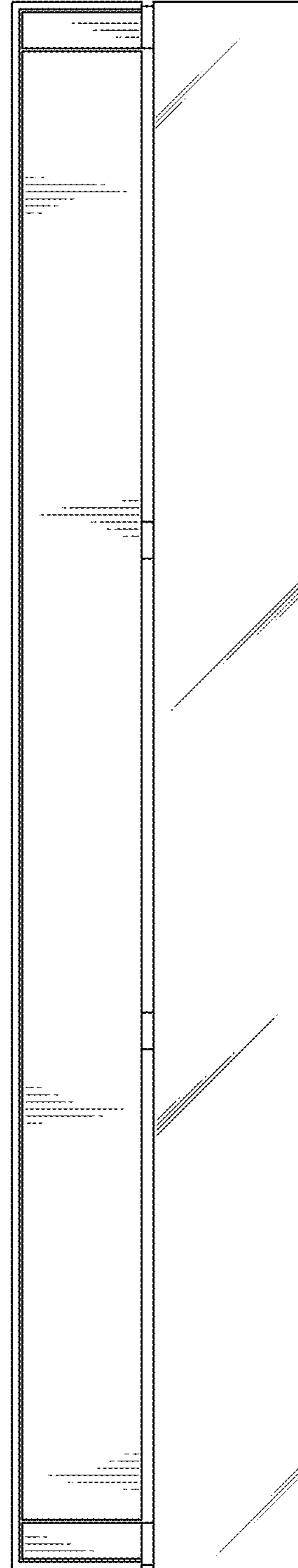


Fig. 9

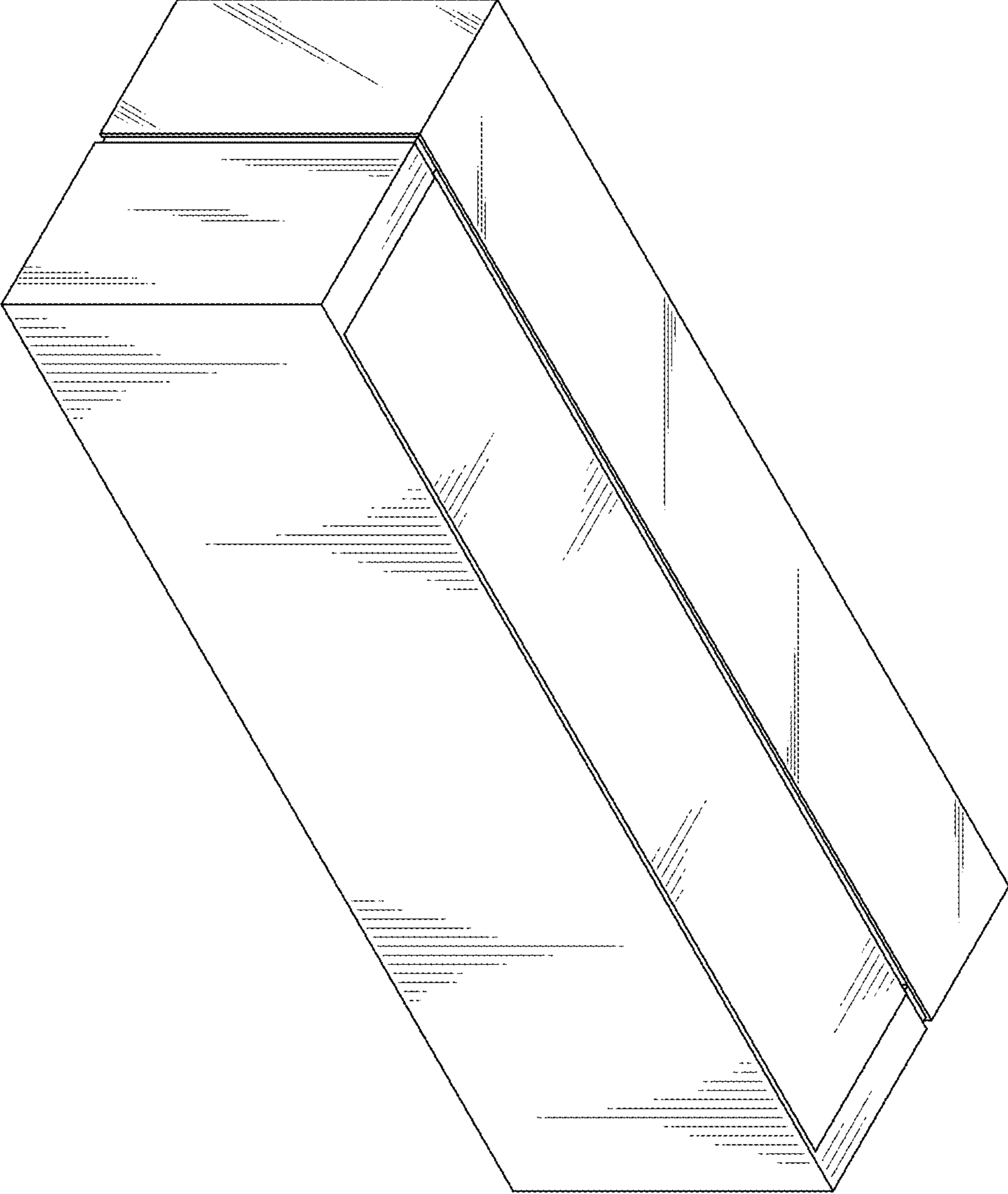


Fig. 10

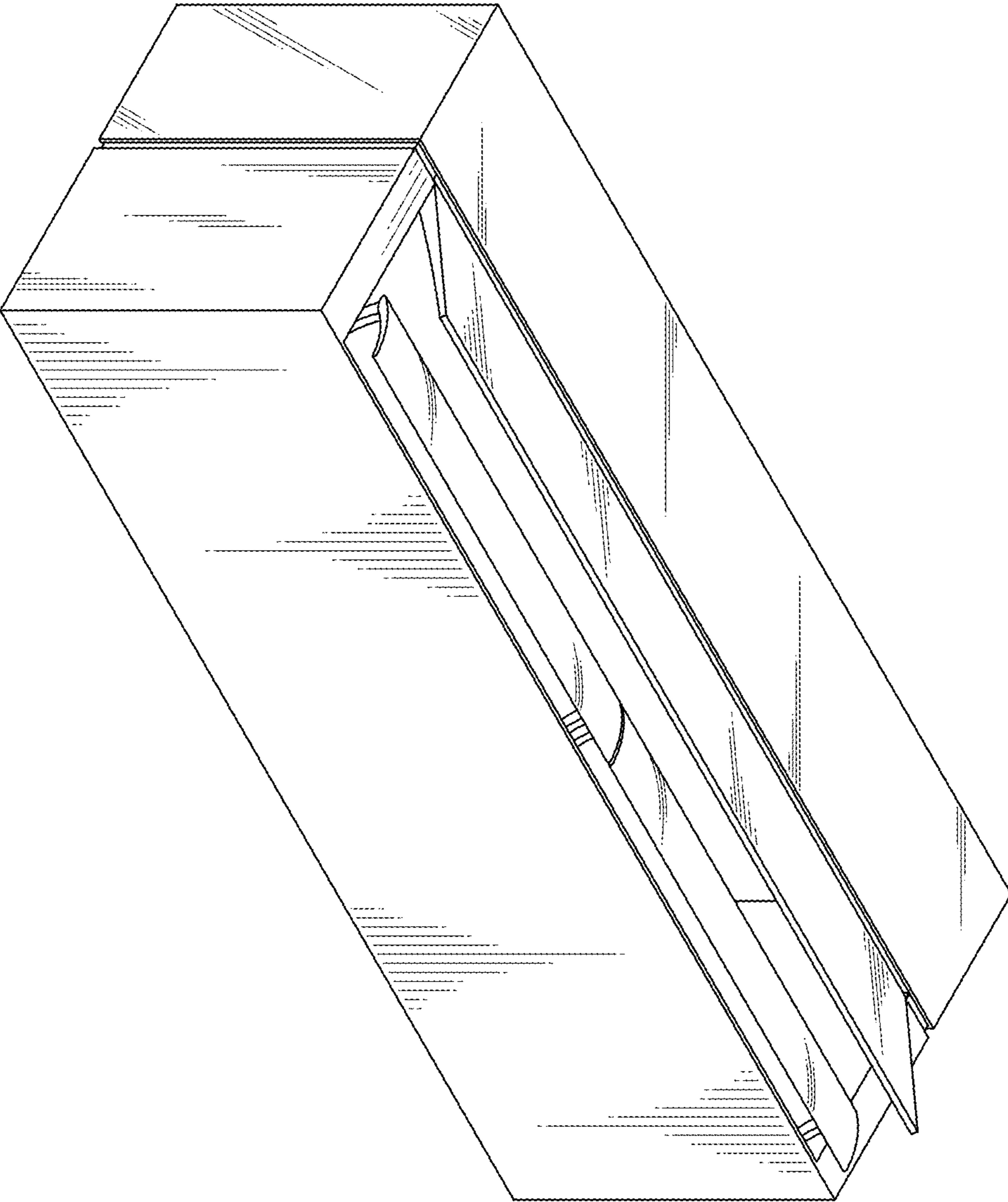


Fig. 11

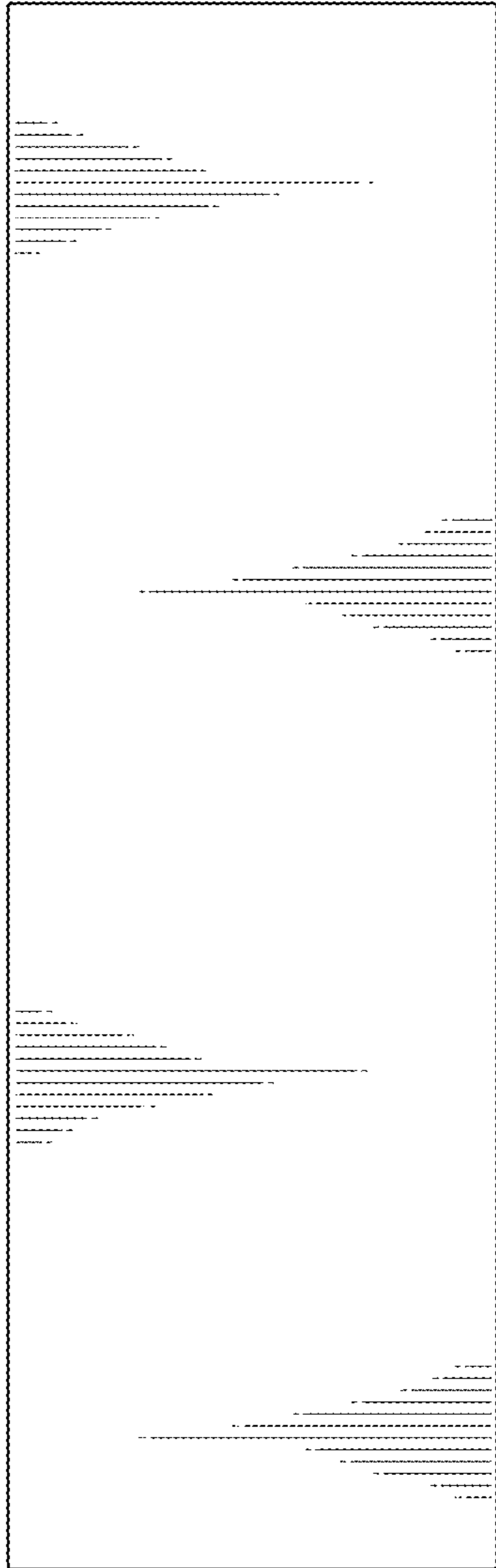


Fig. 12

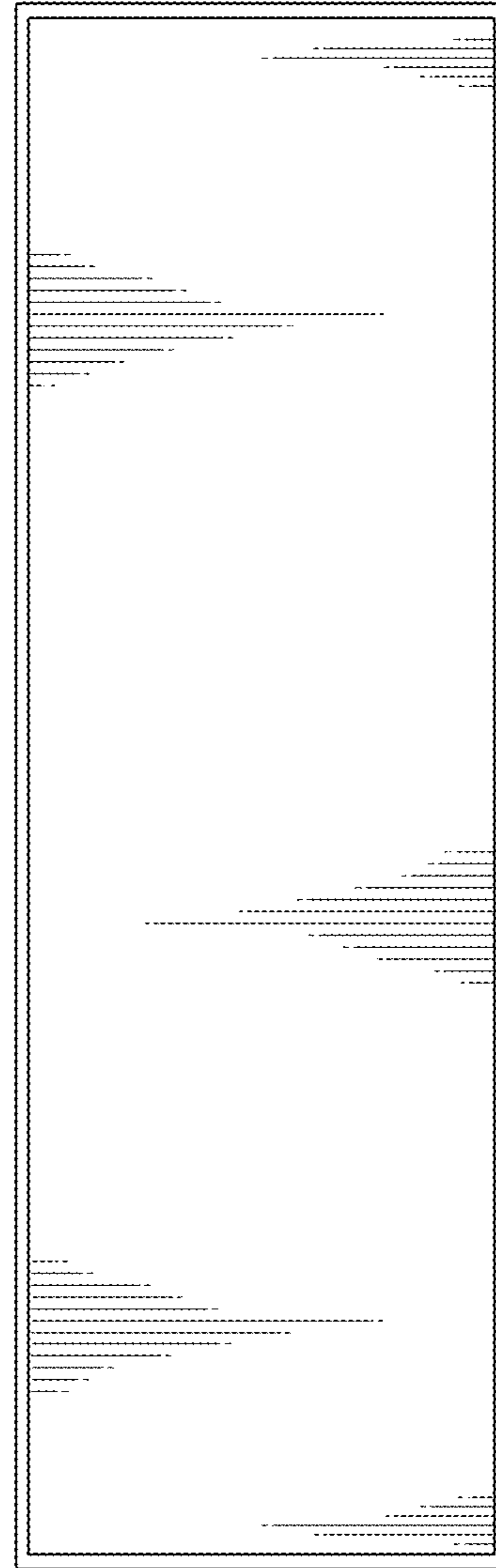


Fig. 14

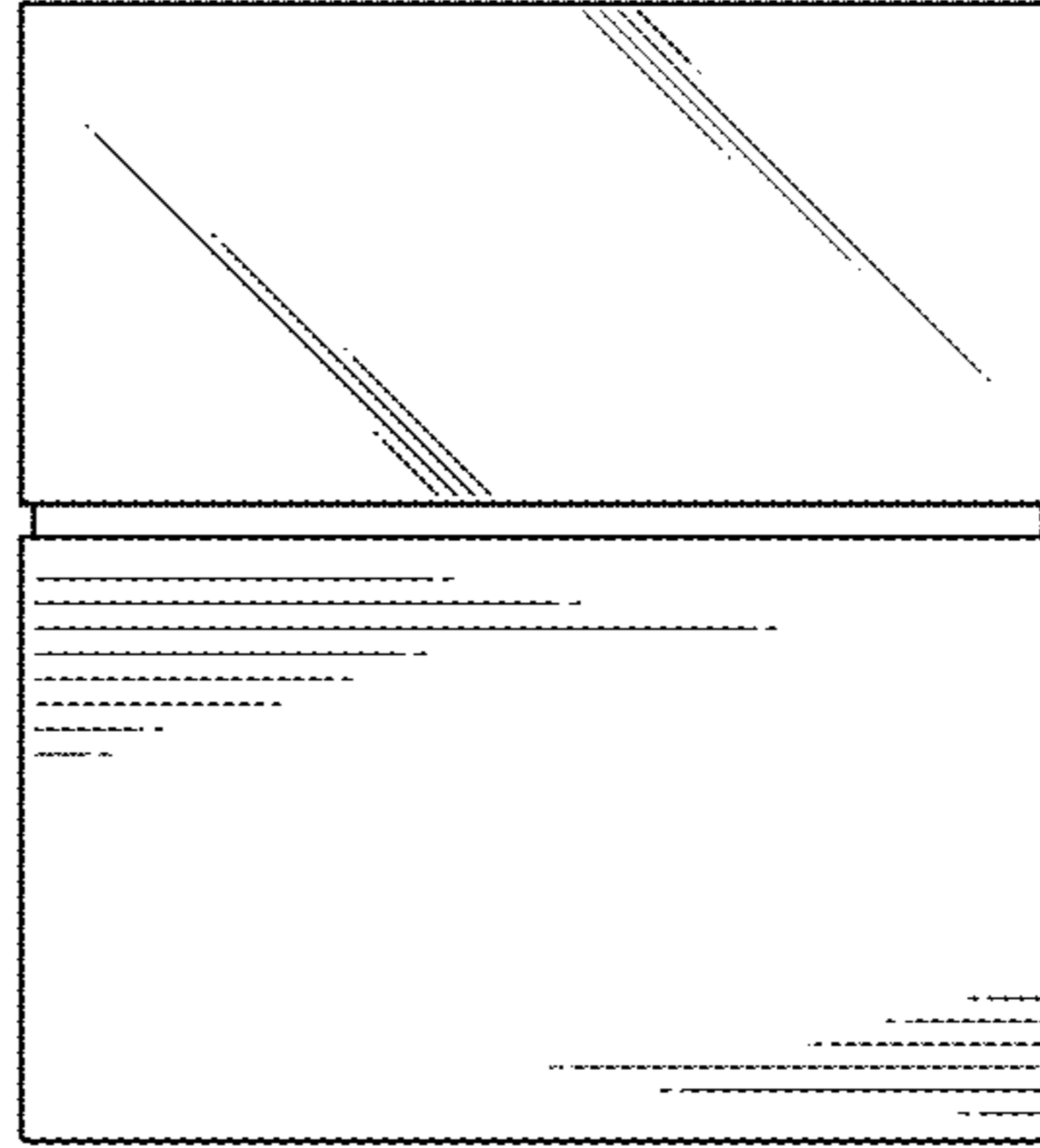


Fig. 13

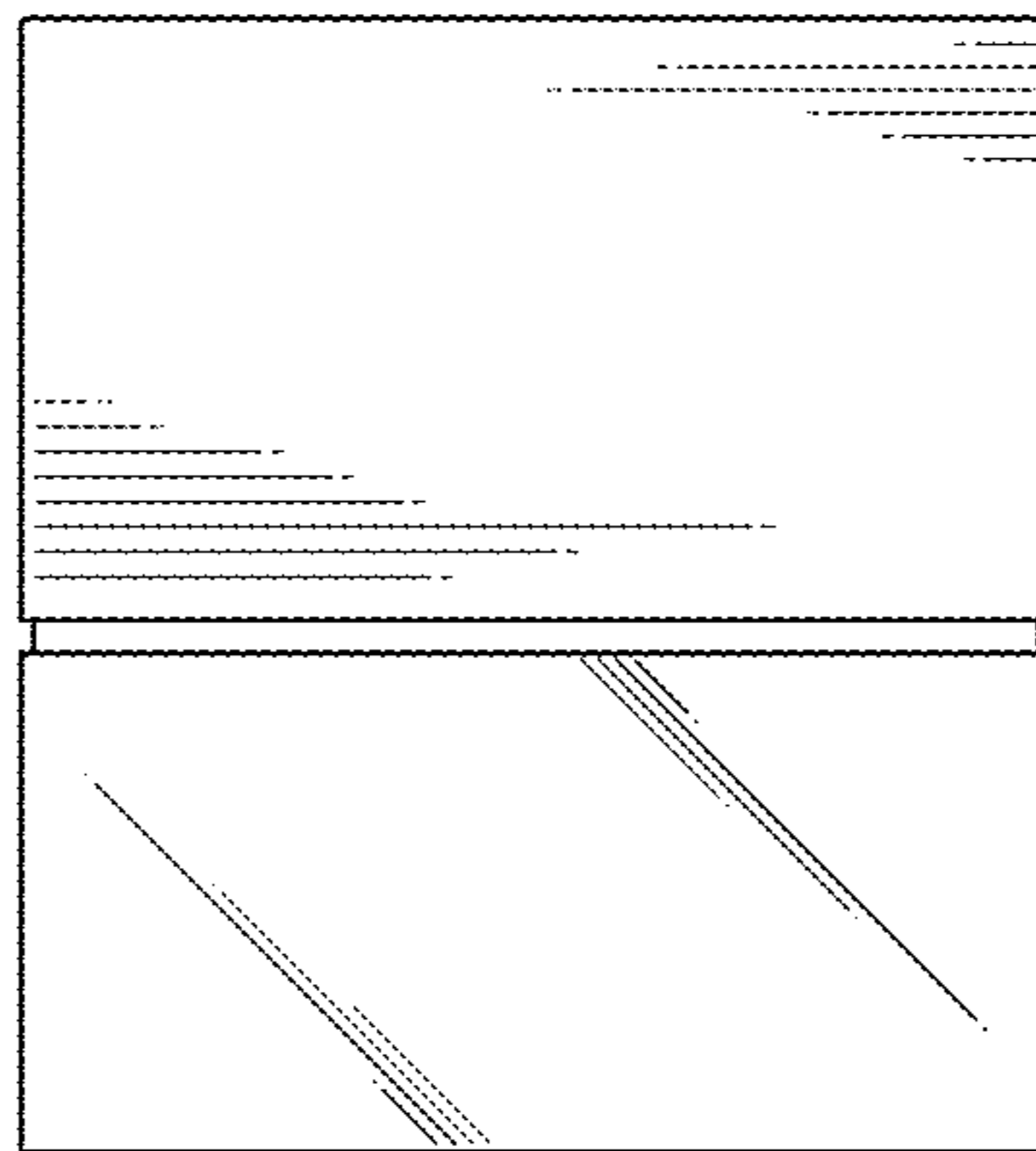


Fig. 15

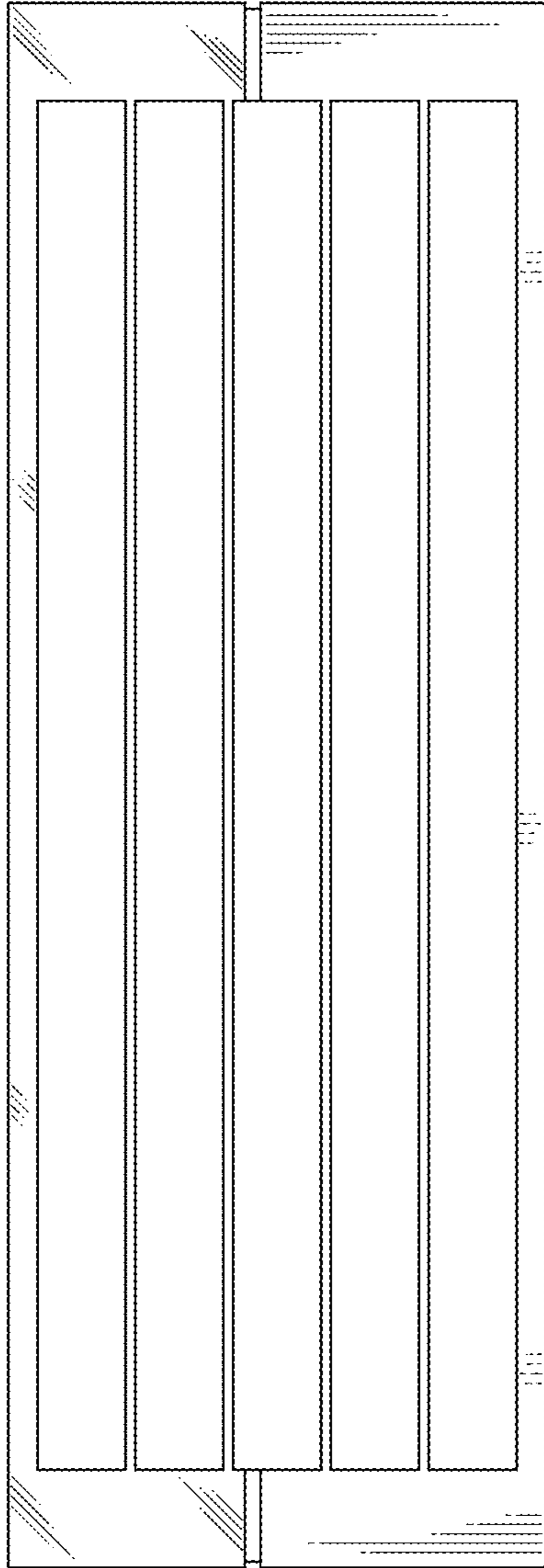


Fig. 16

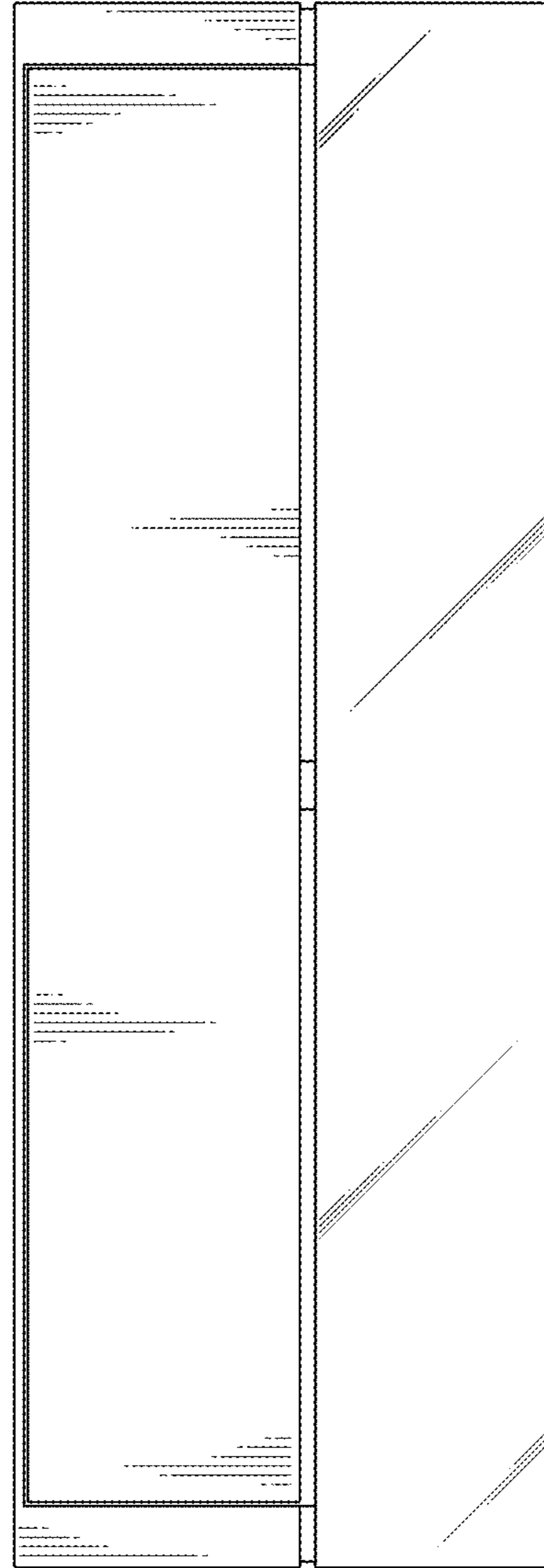


Fig. 17

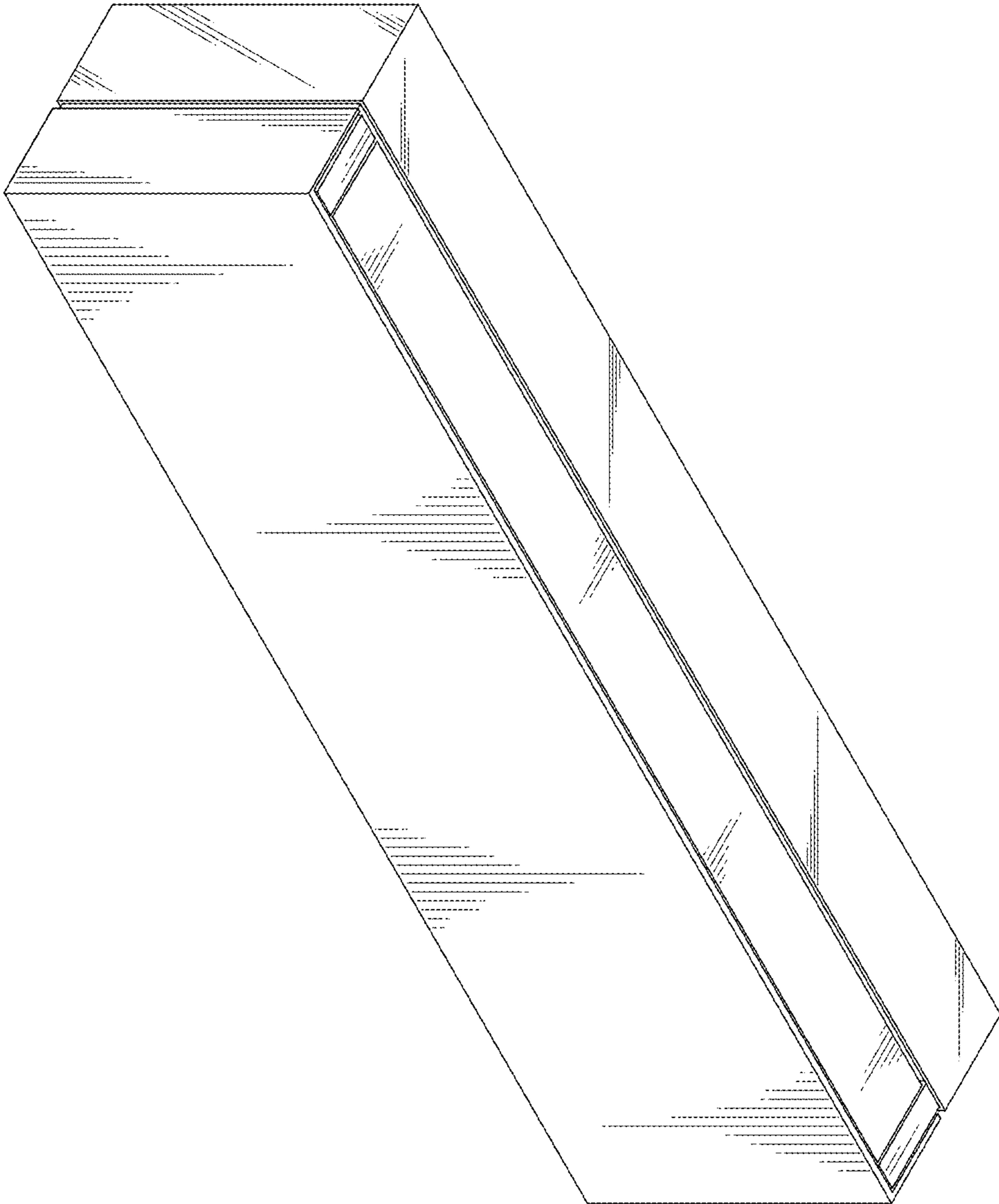


Fig. 18

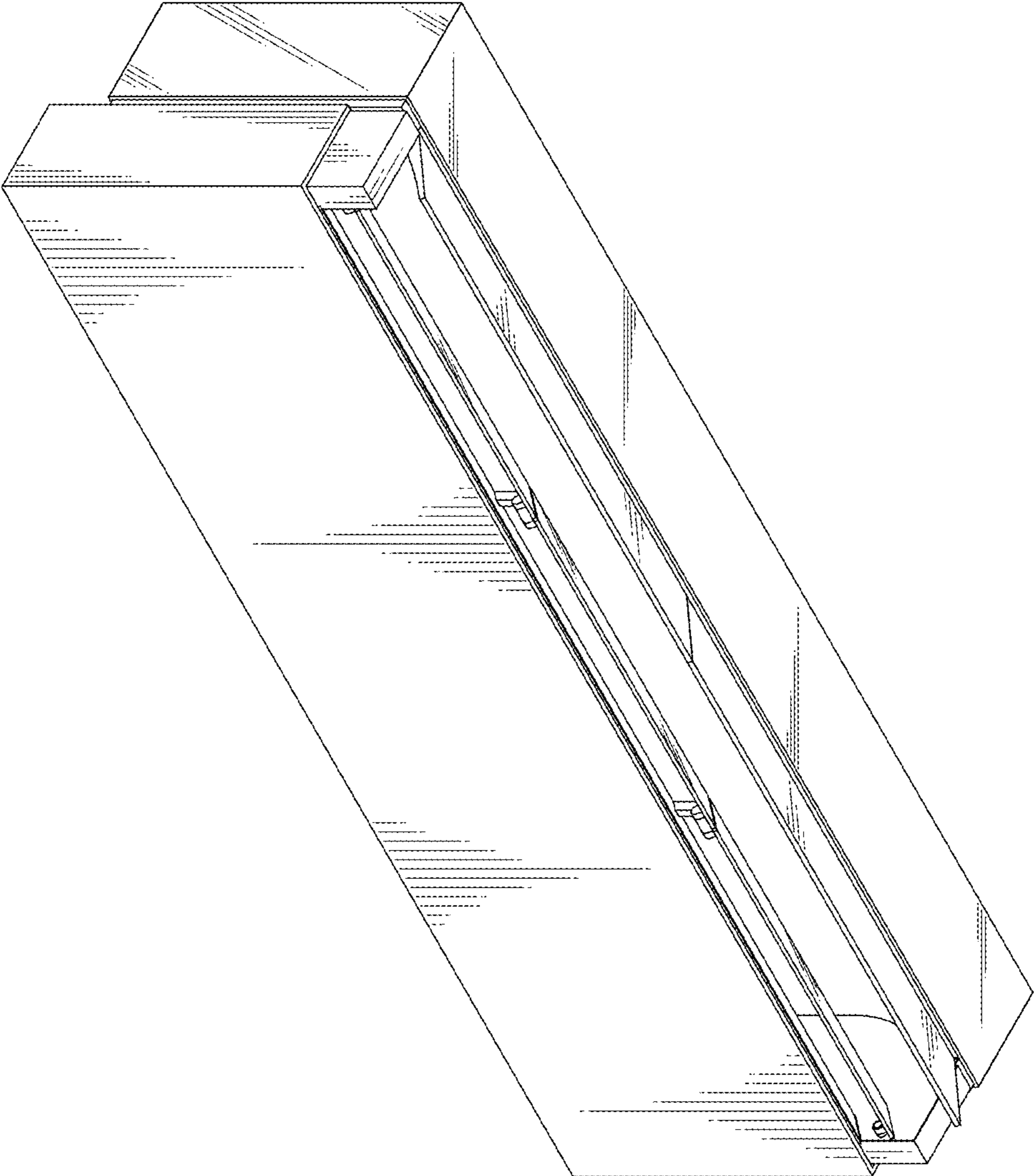


Fig. 19

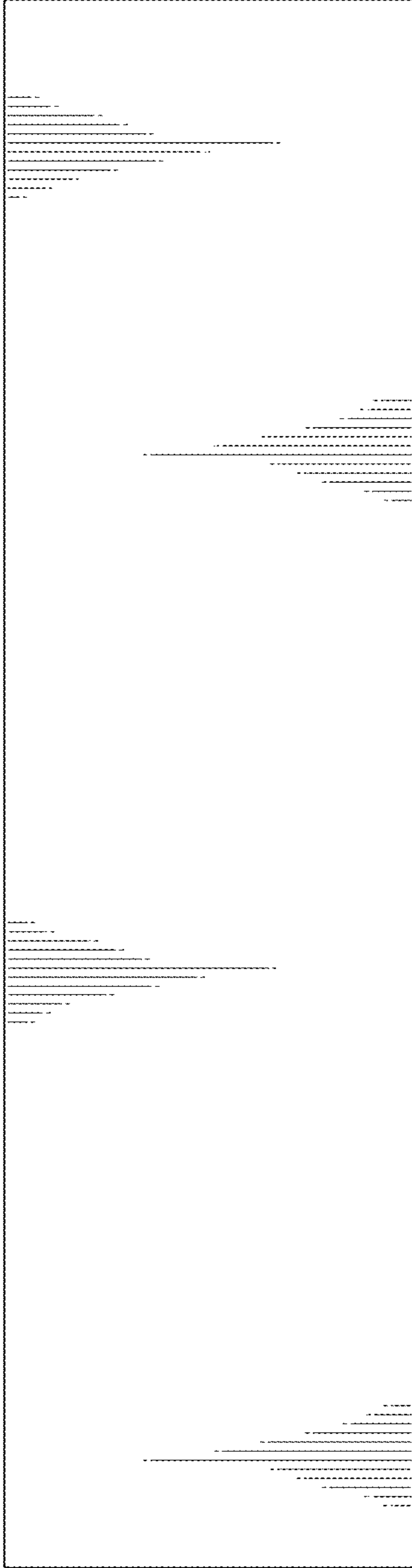


Fig. 20

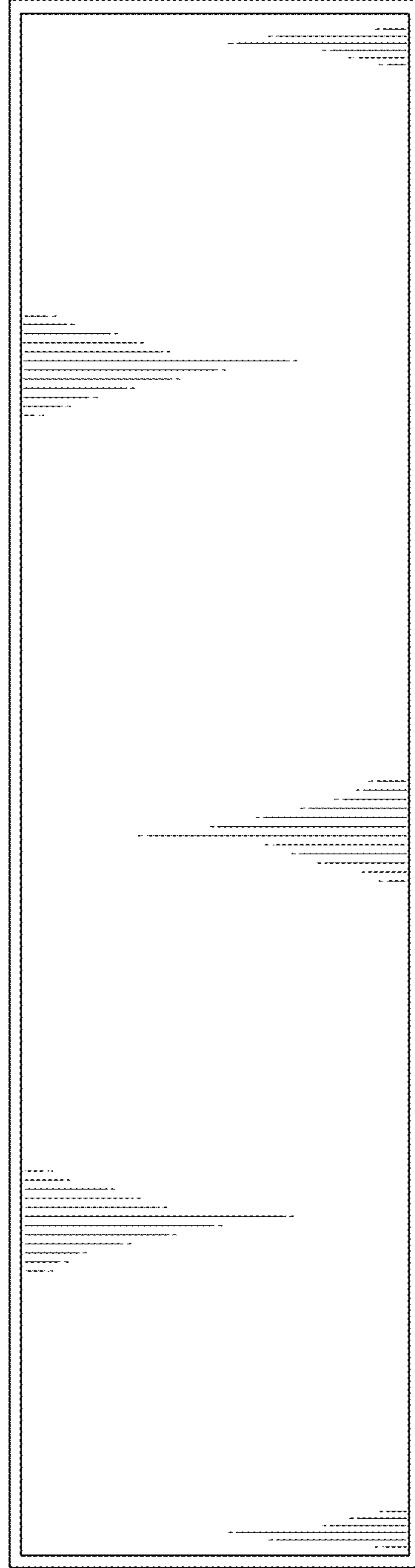


Fig. 22

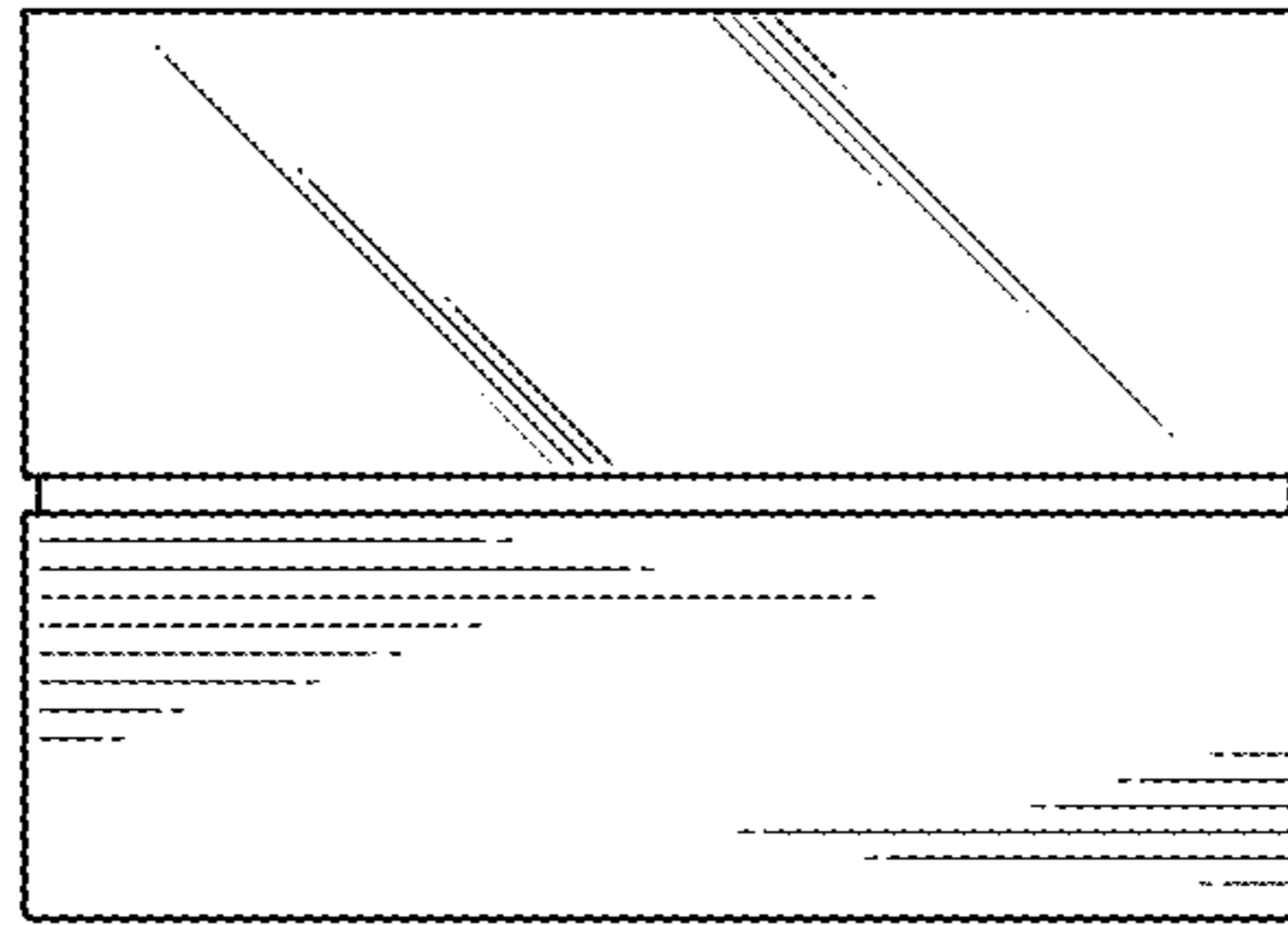


Fig. 21

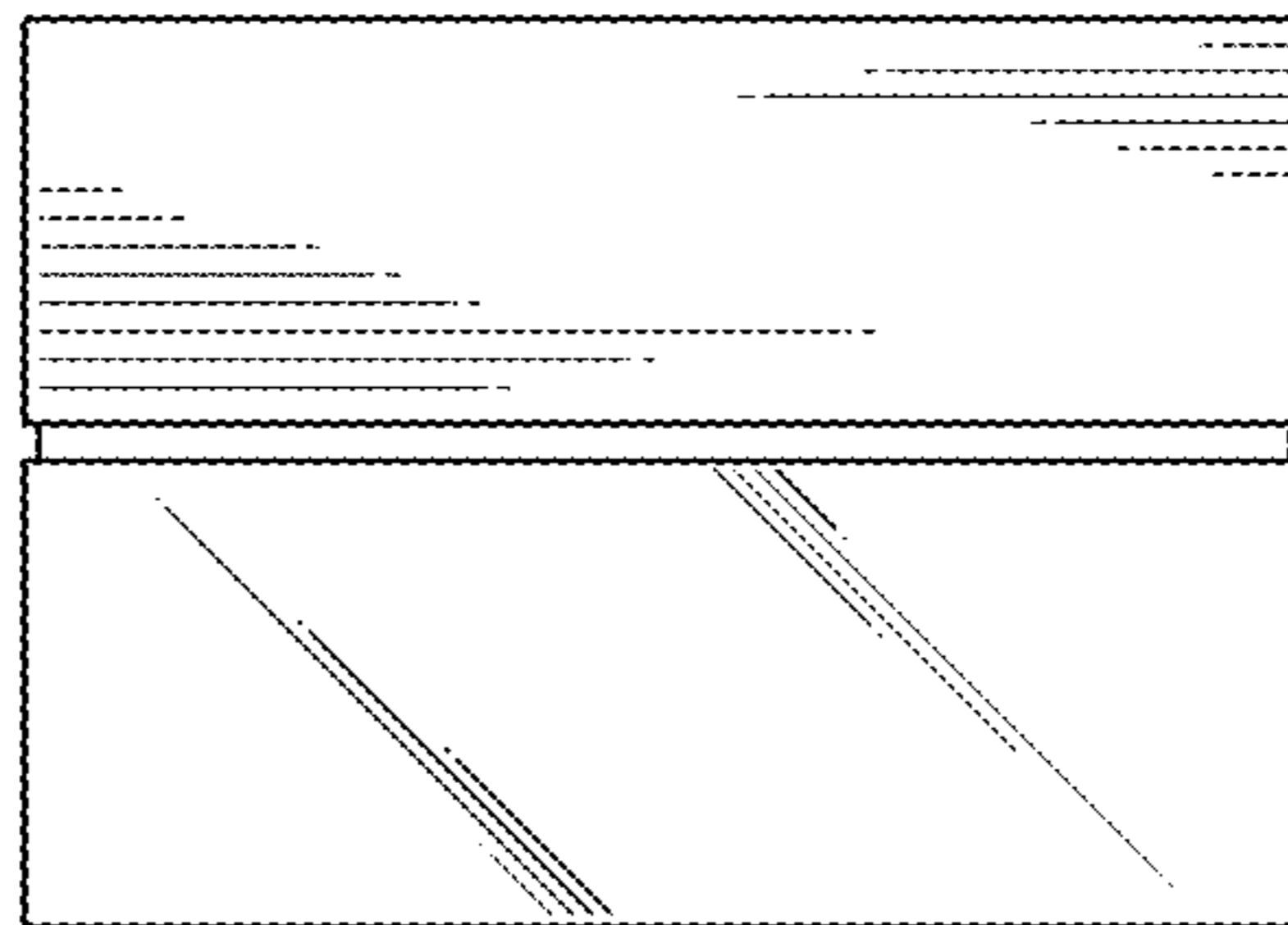


Fig. 23

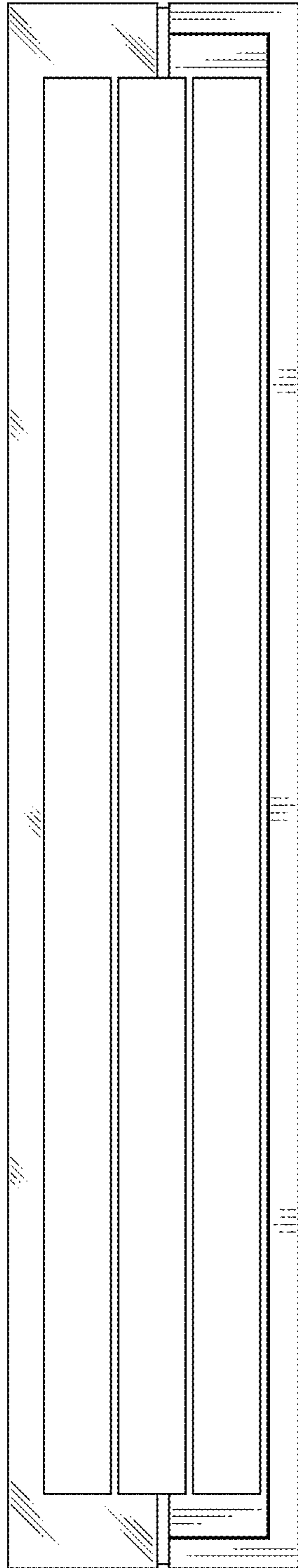
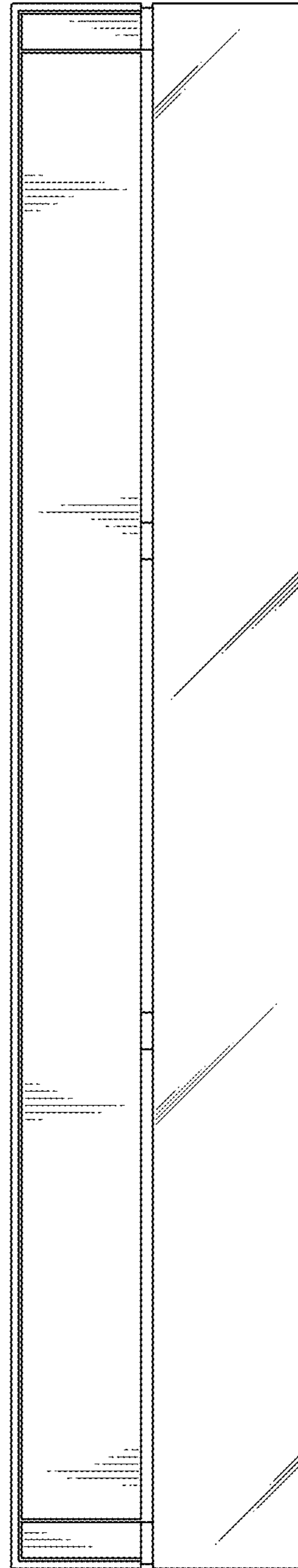


Fig. 24



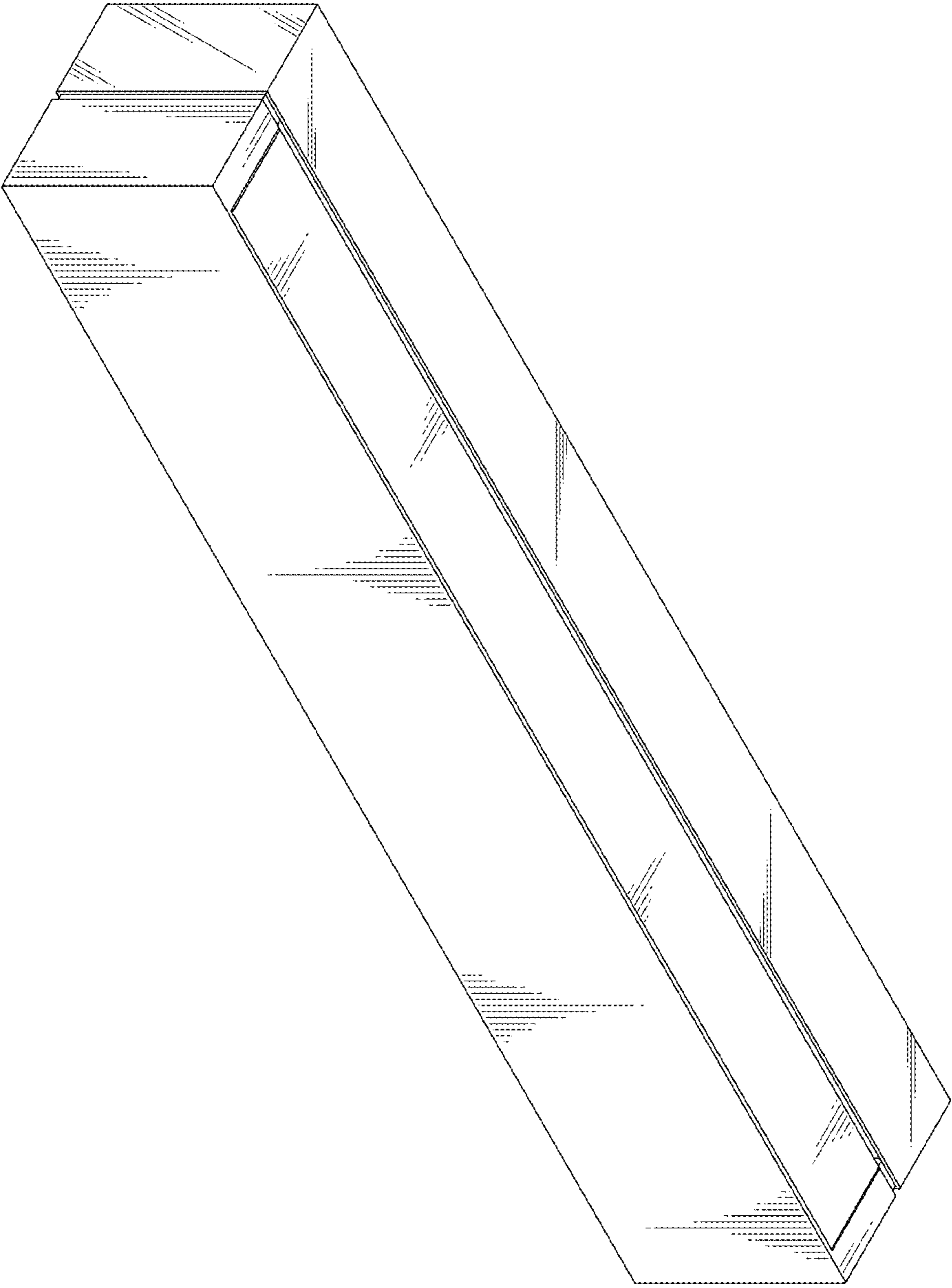


Fig. 25

Fig. 26

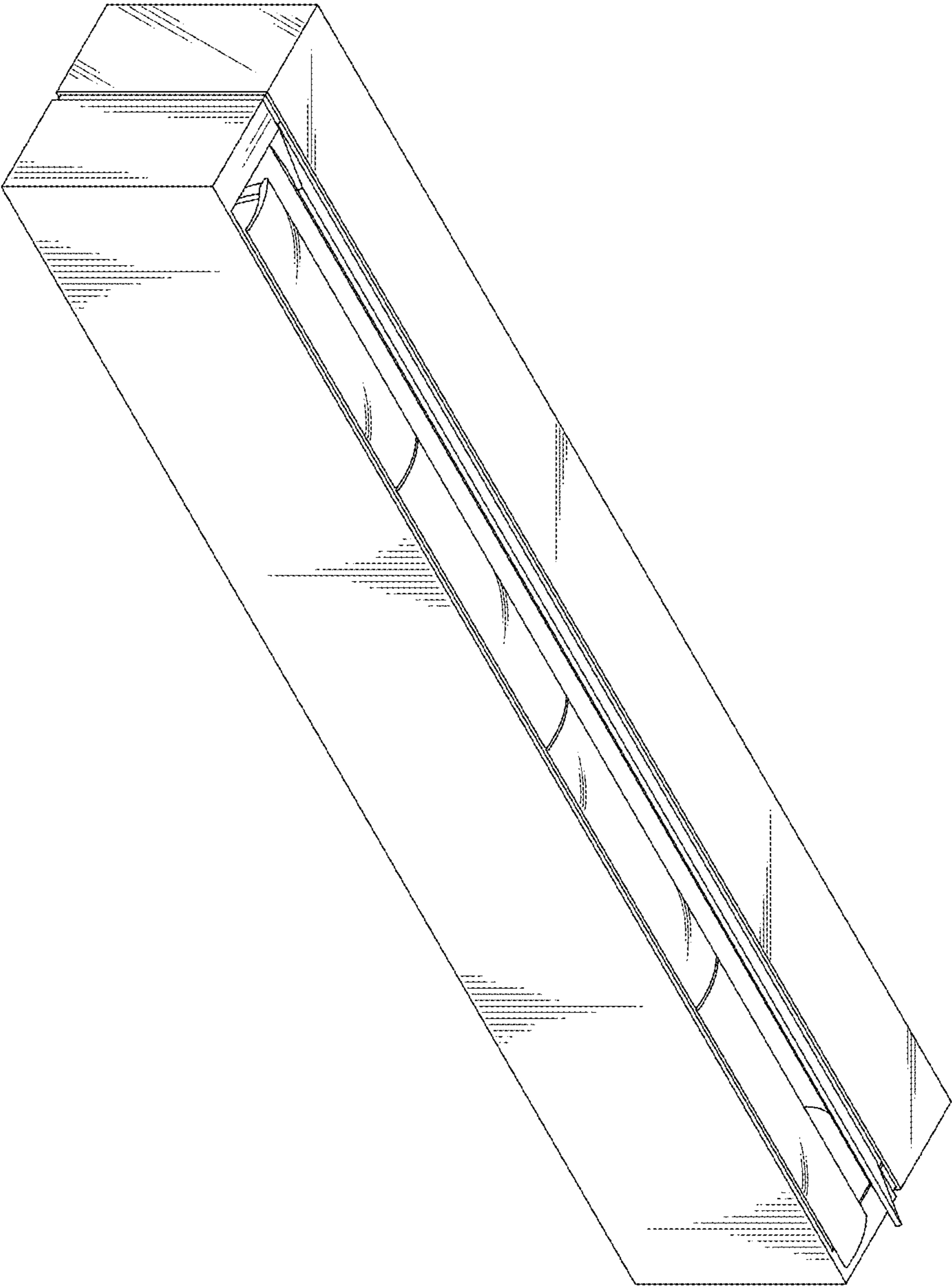


Fig. 27

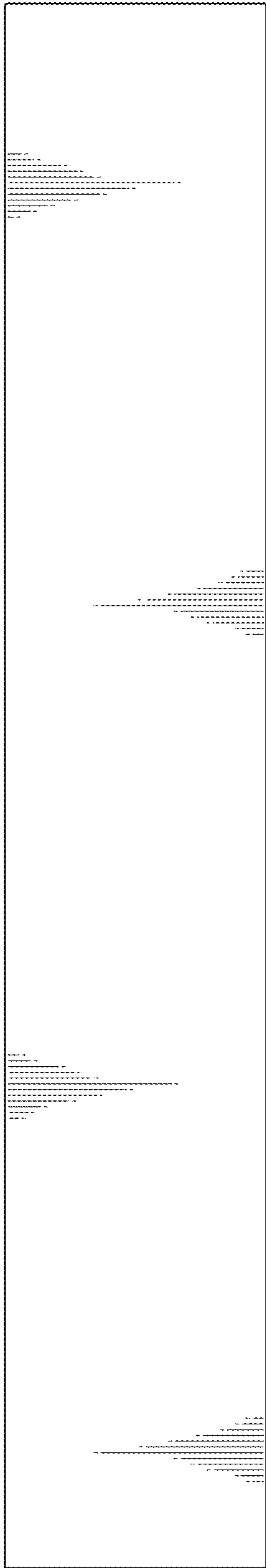


Fig. 28

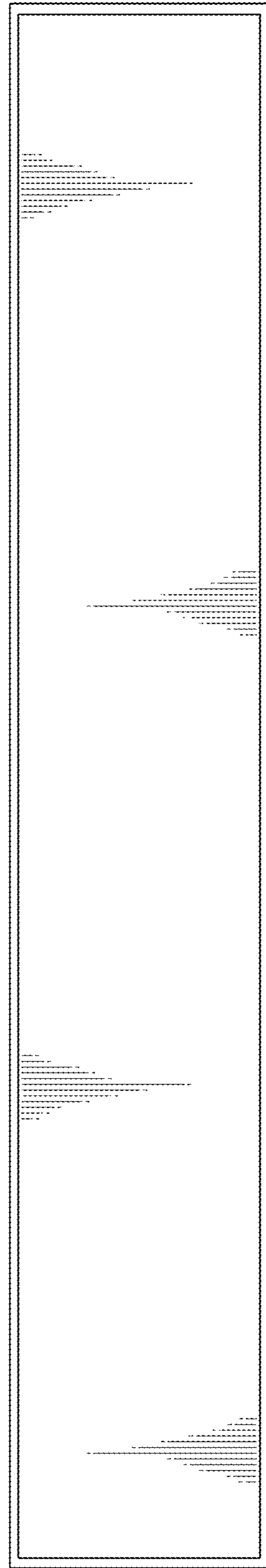


Fig. 30

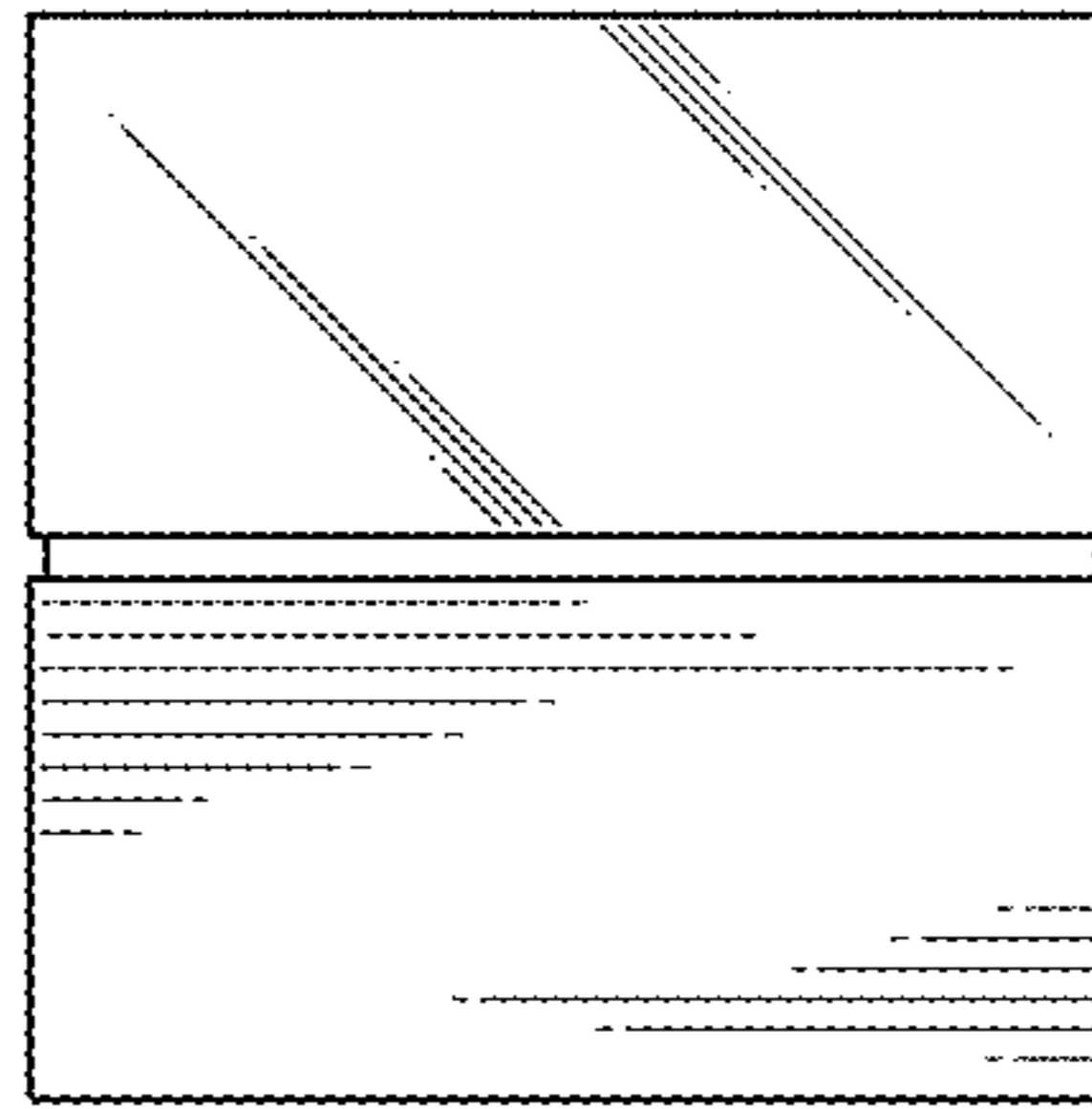


Fig. 29

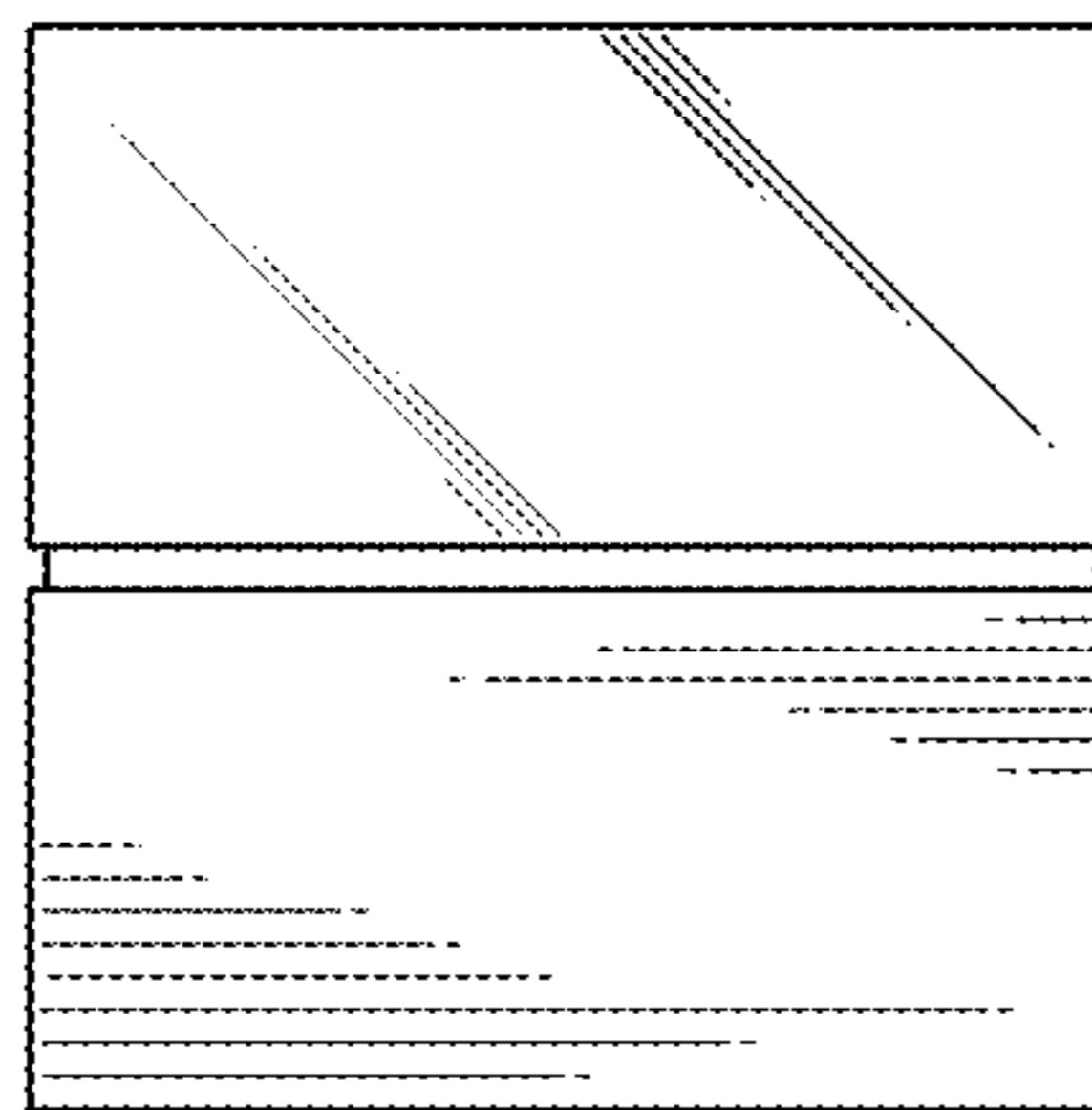


Fig. 31

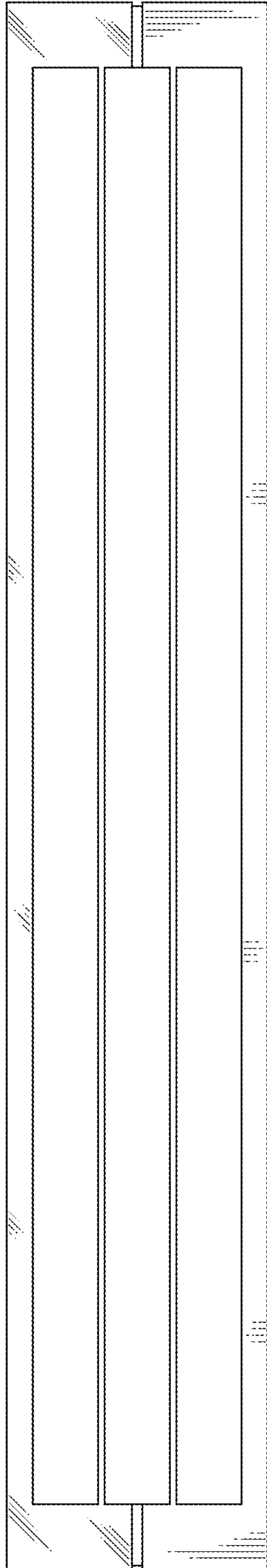


Fig. 32

