



US00D770023S

(12) **United States Design Patent**
Bertani

(10) **Patent No.:** **US D770,023 S**

(45) **Date of Patent:** **** Oct. 25, 2016**

(54) **INFRARED HEATING APPARATUS**

(71) Applicant: **MO-EL S.R.L.**, Montecchio Emilia
(Reggio Emilia) (IT)

(72) Inventor: **Carlo Bertani**, Montechiarugolo (IT)

(73) Assignee: **MO-EL S.R.L.**, Montecchio Emilia (IT)

(**) Term: **15 Years**

(21) Appl. No.: **29/540,636**

(22) Filed: **Sep. 25, 2015**

(51) **LOC (10) Cl.** **23-03**

(52) **U.S. Cl.**
USPC **D23/332**

(58) **Field of Classification Search**
USPC D23/323, 332, 314, 335-350, 378, 370,
D23/354, 351, 386, 333, 328, 353, 361, 385,
D23/417, 357, 381; 392/365, 367, 424, 383,
392/411, 360, 369, 373-376; 431/125;
126/110 B, 91 A, 500, 544, 547
See application file for complete search history.

(56) **References Cited**

U.S. PATENT DOCUMENTS

D491,654 S * 6/2004 Gatchell D23/364
D532,884 S * 11/2006 Ching D23/335

D604,819 S * 11/2009 Krapfl D23/317
8,655,159 B2 * 2/2014 Tai F04D 25/10
392/360
D716,425 S * 10/2014 Tai D23/314
D744,630 S * 12/2015 Ying D23/378
2006/0093463 A1 * 5/2006 Iyer F04D 17/04
415/53.1
2009/0290973 A1 * 11/2009 Wang F04D 25/10
415/53.1
2012/0216985 A1 * 8/2012 Tai F24H 9/0057
165/59

* cited by examiner

Primary Examiner — T. Chase Nelson

Assistant Examiner — Ania Aman

(74) *Attorney, Agent, or Firm* — Pearne & Gordon LLP

(57) **CLAIM**

The ornamental design for an infrared heating apparatus, as shown and described.

DESCRIPTION

FIG. 1 is a front-left perspective view of an infrared heating apparatus, showing my new design;
FIG. 2 is a front elevational view thereof;
FIG. 3 is a back elevational view thereof;
FIG. 4 is a top plan view thereof;
FIG. 5 is a left side elevational view thereof; and,
FIG. 6 is a right side elevational view thereof.

1 Claim, 6 Drawing Sheets

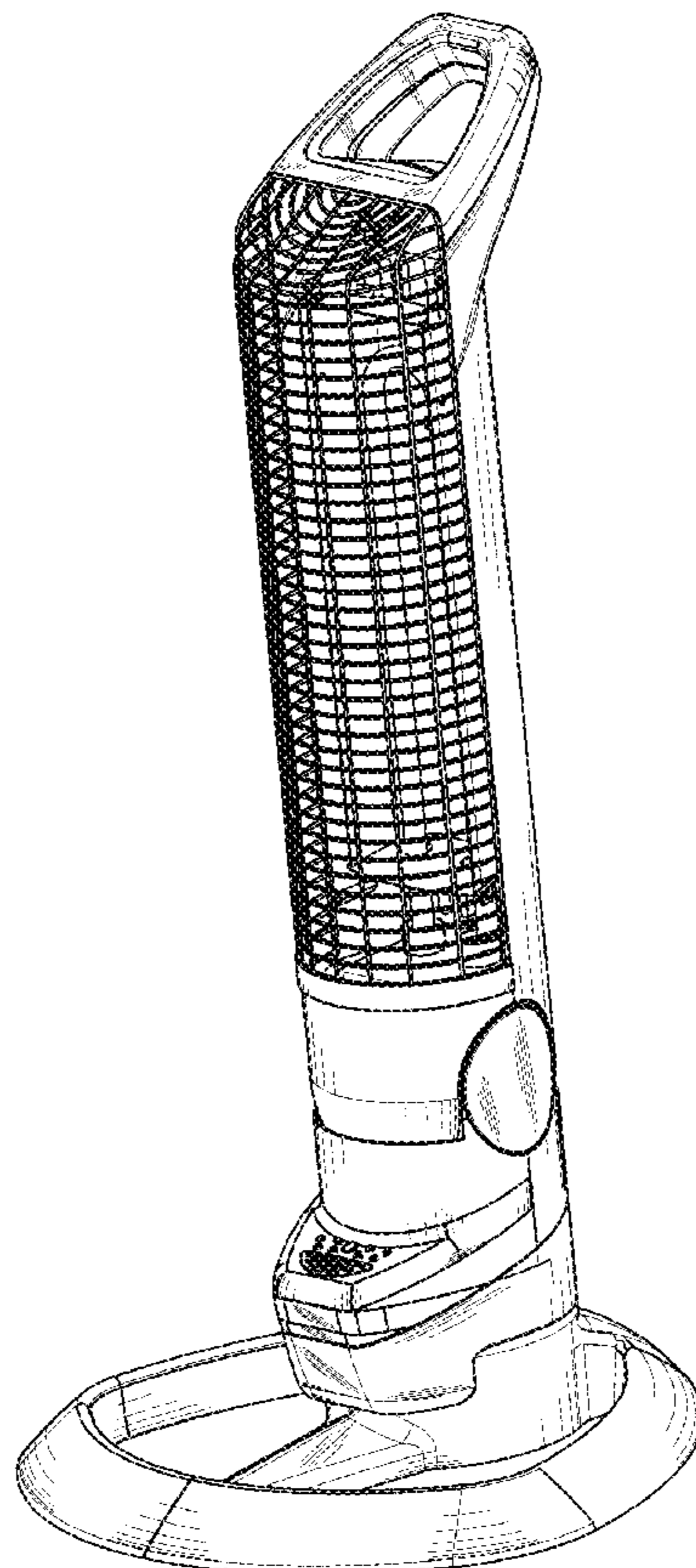


FIG. 1

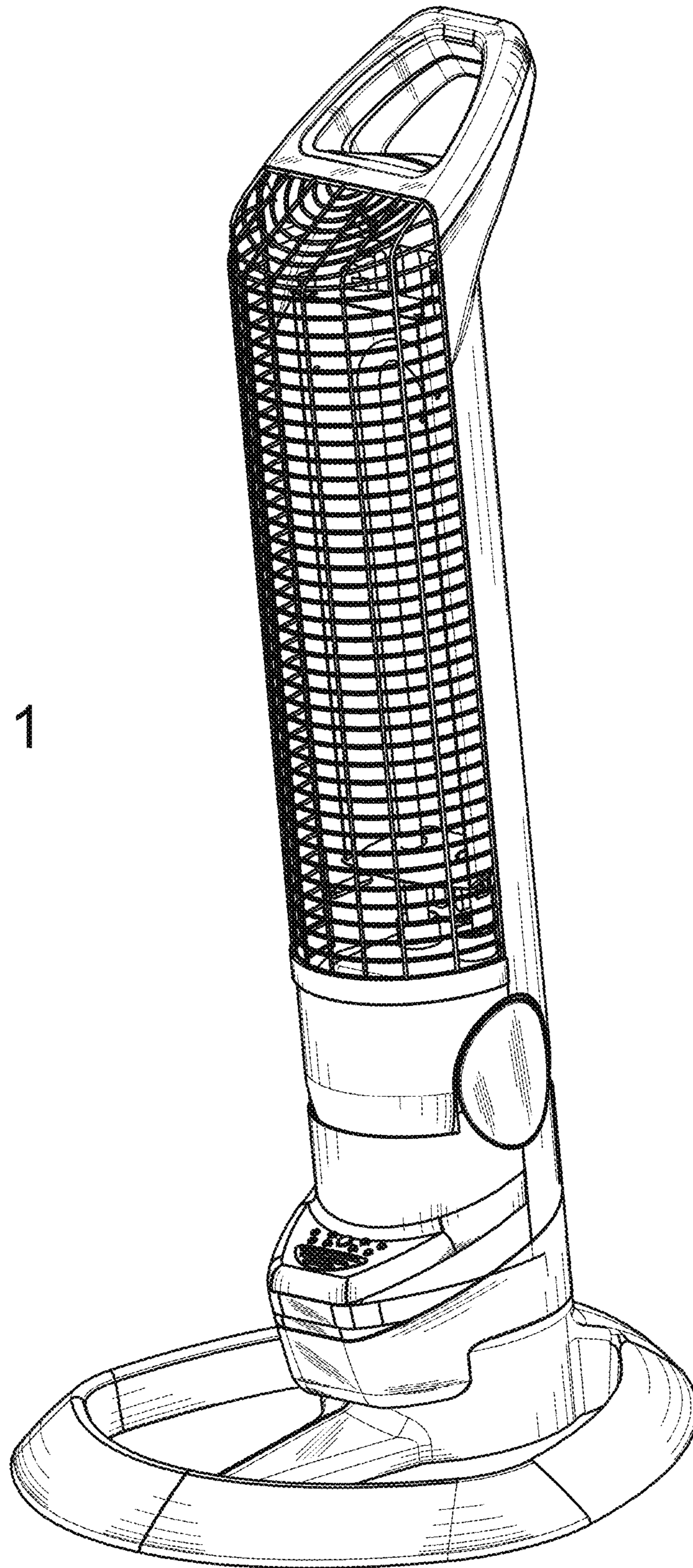


FIG. 2

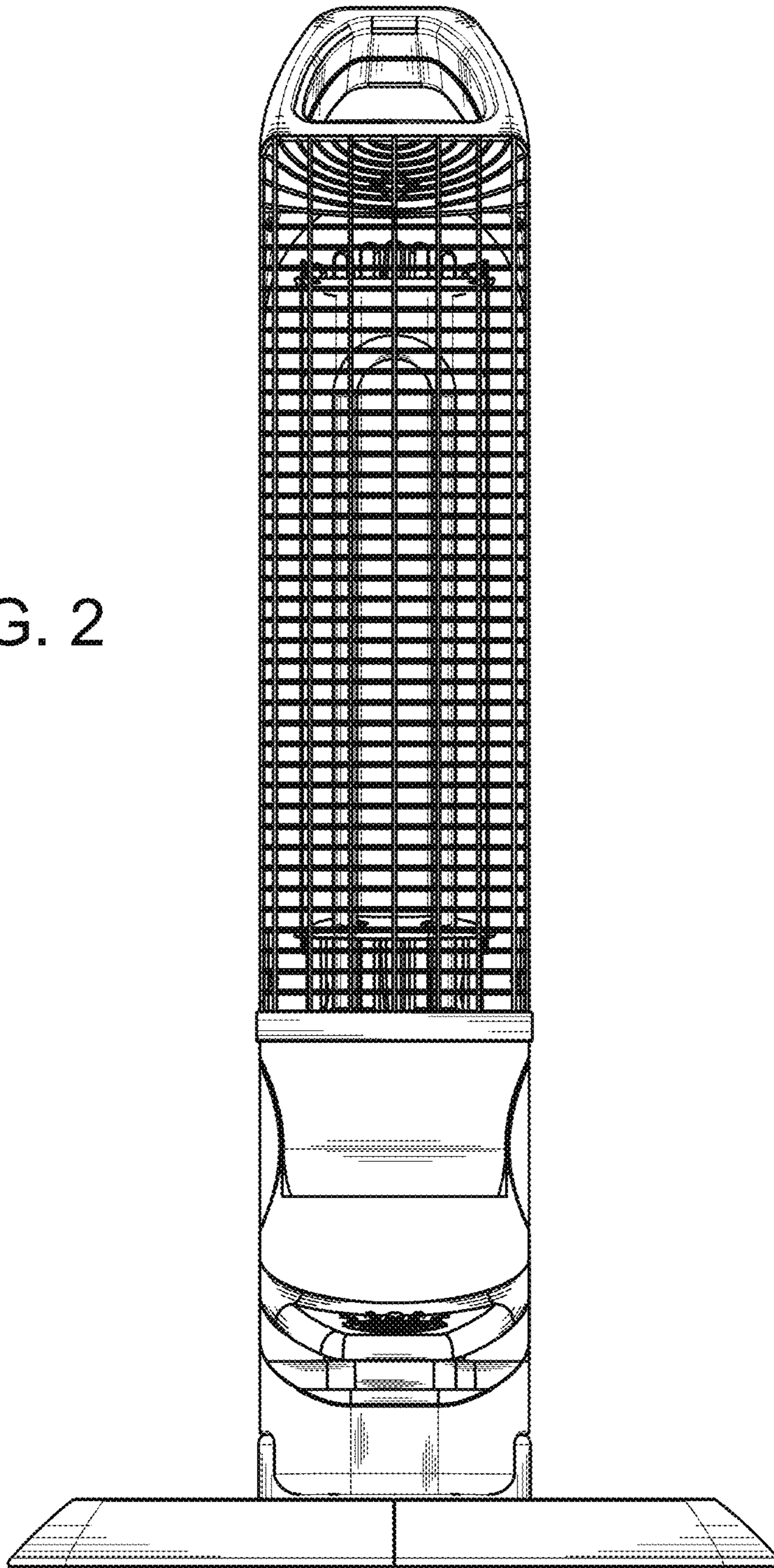
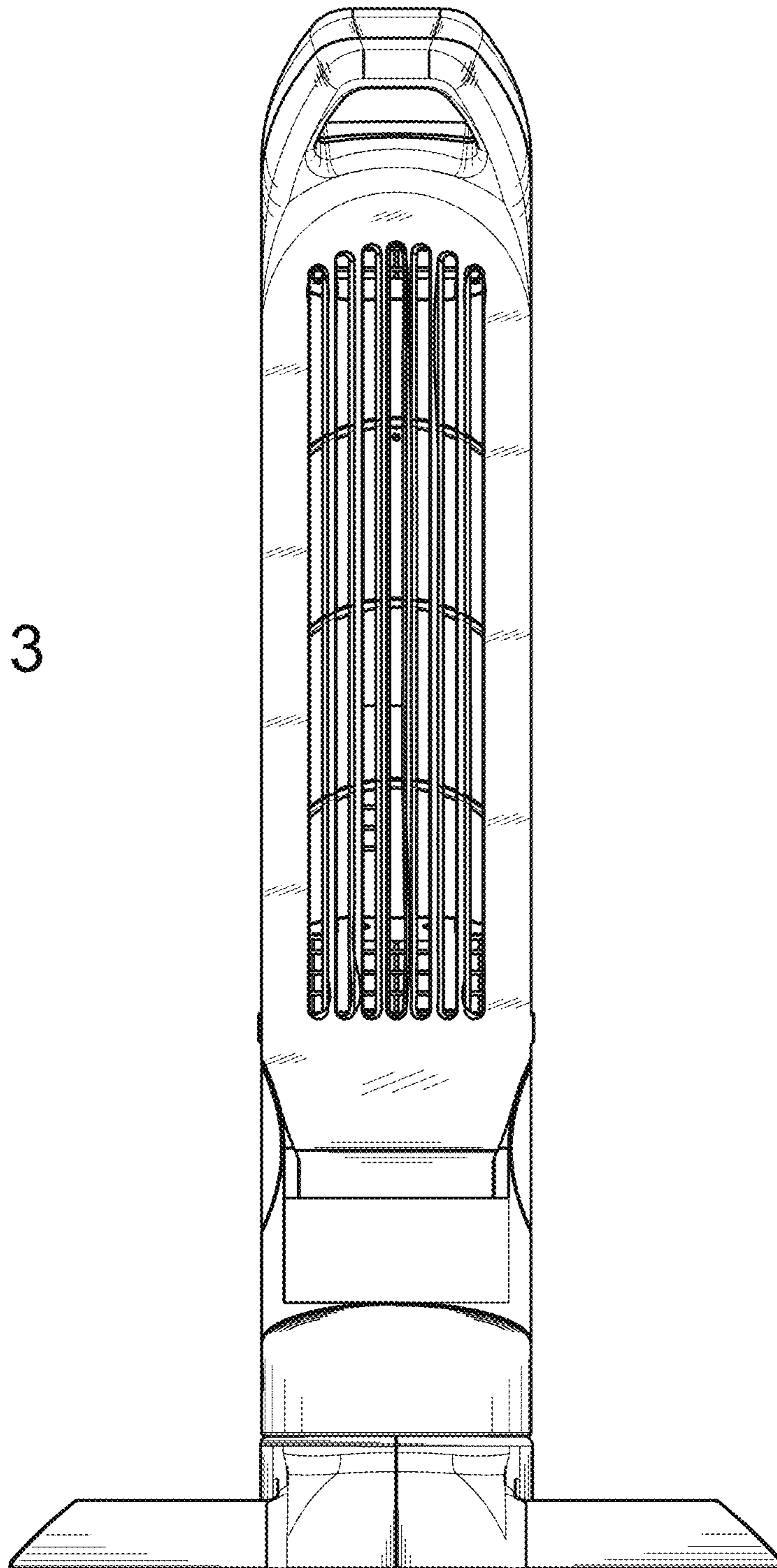


FIG. 3



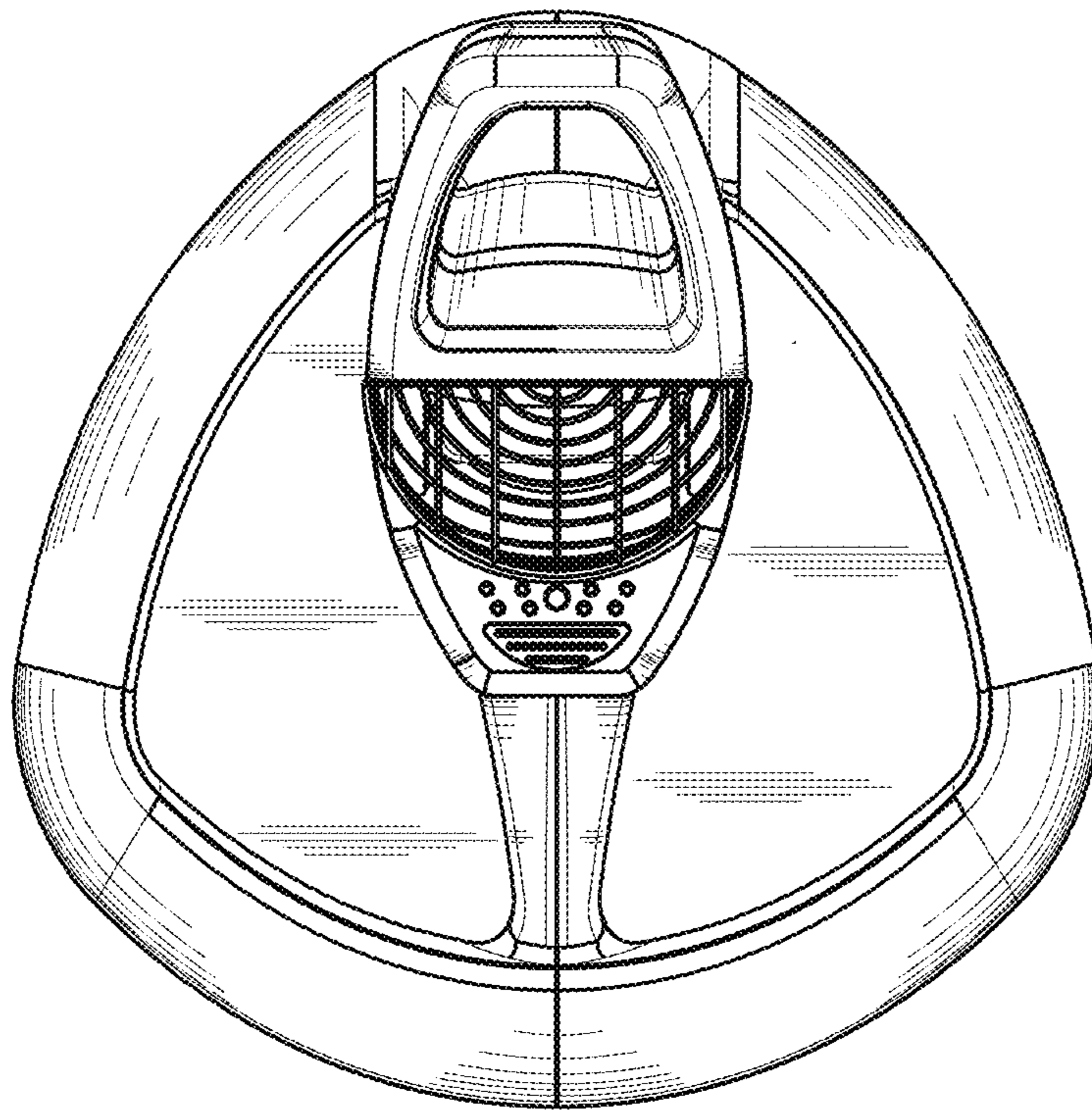
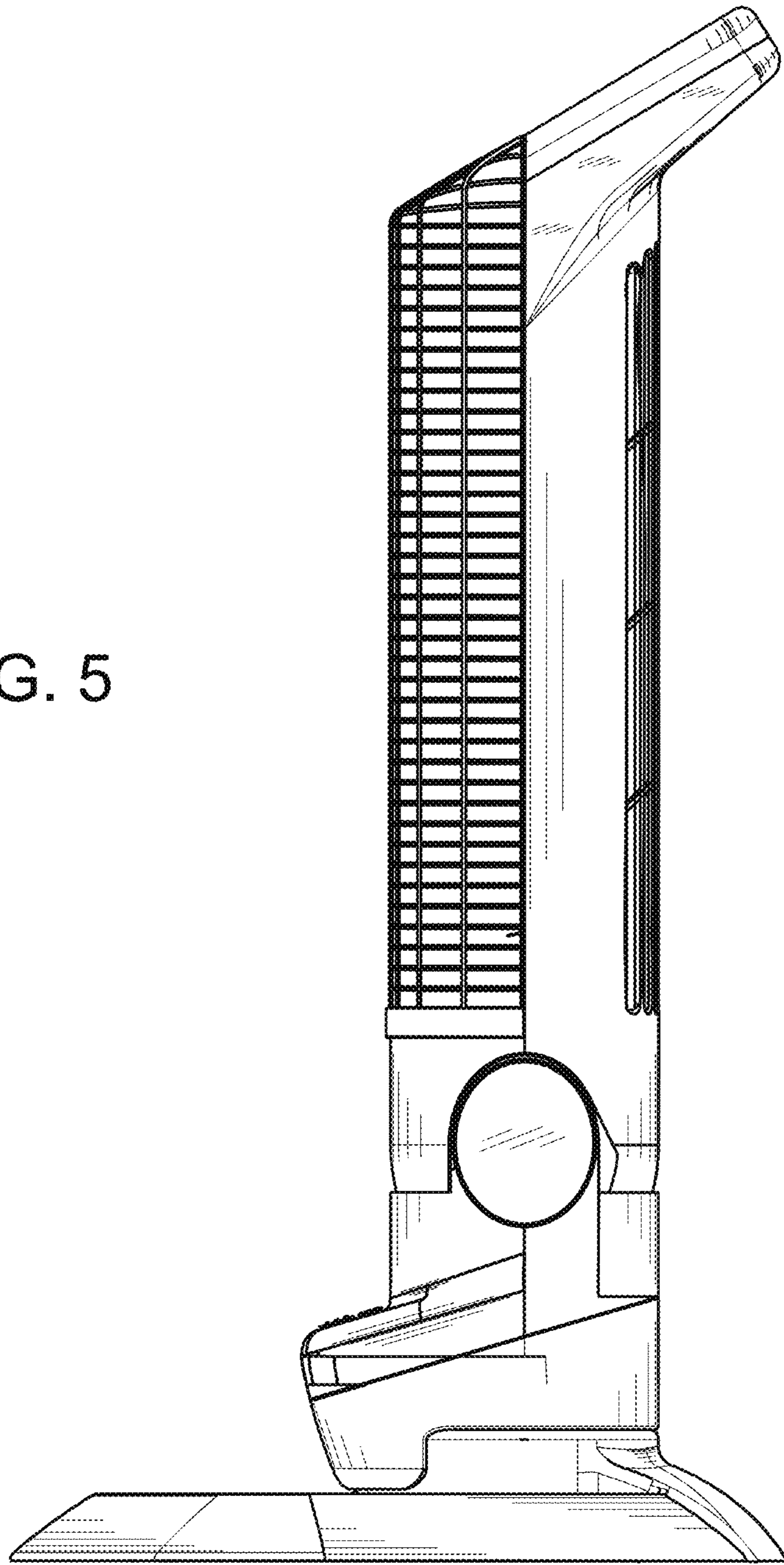


FIG. 4

FIG. 5



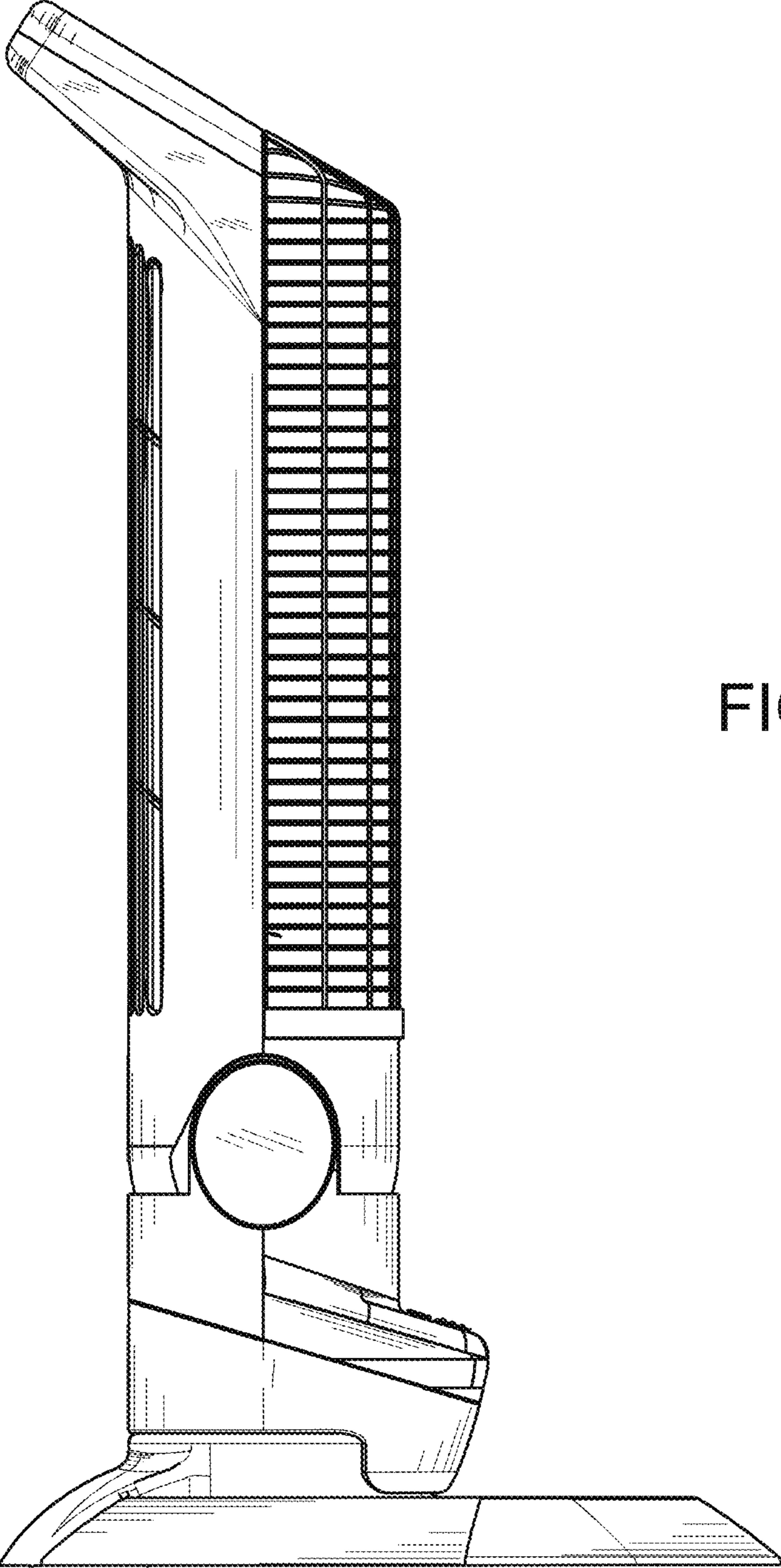


FIG. 6