

US00D770022S

(12) **United States Design Patent** (10) **Patent No.:** **US D770,022 S**
Breit et al. (45) **Date of Patent:** **** Oct. 25, 2016**

(54) **WATER MISTING FAN** 5,843,344 A * 12/1998 Junkel B01F 3/04007
239/222.11
(71) Applicant: **O2Cool, LLC**, Chicago, IL (US) 6,161,777 A * 12/2000 Carter A45F 3/16
222/129
(72) Inventors: **Oliver Breit**, Sheung Wan (HK); **Jason Yap**, Sheung Wan (HK) D454,631 S * 3/2002 Steiner D23/379
D486,885 S * 2/2004 Graves D23/223
6,827,290 B2 * 12/2004 Zimmerman B05B 11/00
222/333
(73) Assignee: **O2COOL, LLC**, Chicago, IL (US) D503,212 S * 3/2005 Peloquin D21/622
D507,047 S * 7/2005 Radtke, Jr. D23/379
7,143,958 B1 * 12/2006 Dorney B05B 3/022
215/229
(**) Term: **14 Years**

(Continued)

(21) Appl. No.: **29/519,654**

(22) Filed: **Mar. 6, 2015**

(51) **LOC (10) Cl.** **23-04**

(52) **U.S. Cl.**
USPC **D23/328**; D23/379; D23/332; D9/685

(58) **Field of Classification Search**
USPC D23/314, 328, 332, 370, 379, 381, 382,
D23/413, 213, 228, 356; D21/455, 458;
D19/123; D9/300, 337, 448, 500, 530,
D9/538, 539, 545, 552, 558, 685, 691
CPC F04D 25/084; A61L 9/122; A62C 11/00;
B05B 3/02; B05B 3/022; B05B 11/0002;
B05B 11/0005; B01F 3/04; B01F 3/04007;
B01F 3/04035; B01F 3/04042
See application file for complete search history.

(56) **References Cited**

U.S. PATENT DOCUMENTS

D54,419 S * 2/1920 Hotz D23/370
3,173,584 A * 3/1965 Giavasis A47G 19/183
222/241
D349,954 S * 8/1994 Steiner 239/289
5,338,495 A * 8/1994 Steiner B01F 3/04007
239/214.25
5,667,731 A * 9/1997 Junkel B01F 3/04035
239/289
D386,572 S * 11/1997 Radtke D23/328
D387,852 S * 12/1997 Radtke D23/328
5,752,662 A * 5/1998 Hsu B05B 3/022
222/333
D395,701 S * 6/1998 Radtke D23/328
D397,427 S * 8/1998 Junkel D23/328
D397,774 S * 9/1998 Junkel D23/328

OTHER PUBLICATIONS

Fan-spray-bottle. best-b2b.com [online image] 1 page. Date on Image is unknown-Linked to a blog from Jun. 6, 2011 [retrieved on May 20, 2016]. Retrieved from Internet: <http://mamascouts.blogspot.com/2011/06/its-small-world-after-all-tips-on.html> Image URL: <http://best-b2b.com/userimg/764/783-1/fan-spray-bottle-529.jpg>.*

Primary Examiner — Susan Bennett Hattan
Assistant Examiner — Marie Fast Horse
(74) *Attorney, Agent, or Firm* — Thompson Coburn LLP

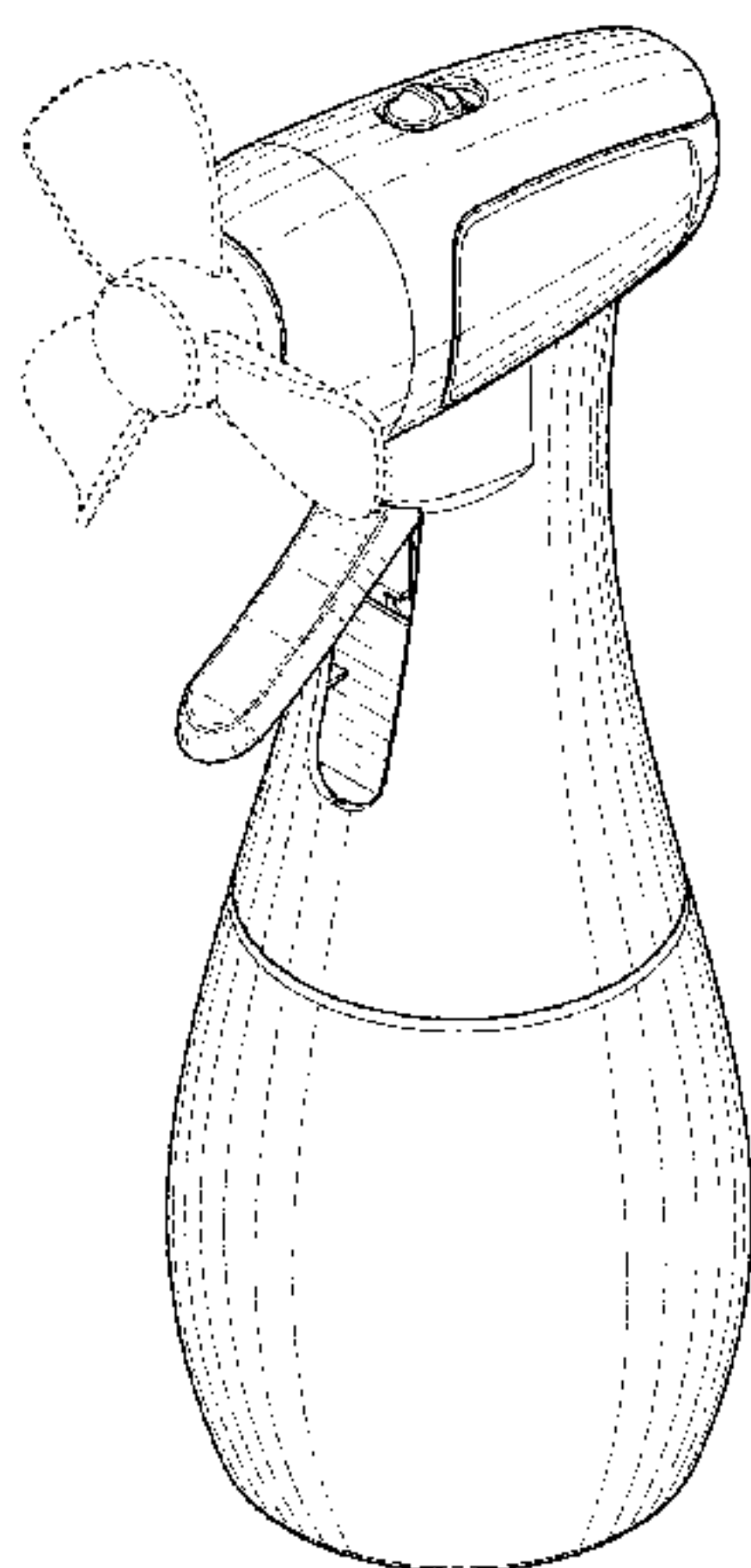
(57) **CLAIM**

We claim the ornamental design for a water misting fan, as shown and described.

DESCRIPTION

FIG. 1 is a front right top corner perspective view of the water misting bottle showing our new design;
FIG. 2 is a front left bottom corner perspective view of the water misting bottle;
FIG. 3 is a front view thereof;
FIG. 4 is a rear view thereof;
FIG. 5 is a right side view thereof;
FIG. 6 is a left side view thereof;
FIG. 7 is a top view thereof; and,
FIG. 8 is a bottom view thereof.
The broken lines in the drawings depict portions of the water misting fan that form no part of the claimed design.

1 Claim, 5 Drawing Sheets



(56)

References Cited

U.S. PATENT DOCUMENTS

D544,078 S * 6/2007 Geringer 261/28
 D553,227 S * 10/2007 Chen D23/314
 D554,242 S * 10/2007 Chen D23/314
 D557,606 S * 12/2007 Rashid D9/500
 D583,677 S * 12/2008 Harrison D9/685
 D619,460 S * 7/2010 Beckerman D9/500
 D623,958 S * 9/2010 Schaeffer D9/685
 D643,737 S * 8/2011 Handy D9/558
 D671,004 S * 11/2012 Kelly D9/500
 D676,536 S * 2/2013 Roach D23/328
 D686,509 S * 7/2013 Ashiwa D9/688
 D698,428 S * 1/2014 Sands D23/314
 D703,308 S * 4/2014 Peterson D23/379

D722,134 S * 2/2015 Levy D23/223
 D728,316 S * 5/2015 Breit D7/598
 D733,282 S * 6/2015 Peterson D23/328
 D741,462 S * 10/2015 Champ D23/328
 9,339,827 B2 * 5/2016 Chan B05B 3/022
 2006/0273195 A1 * 12/2006 Junkel B05B 3/022
 2008/0237899 A1 * 10/2008 Chen B05B 11/0037
 2008/0237900 A1 * 10/2008 Junkel F24F 5/0035
 2014/0014740 A1 * 1/2014 Sands B05B 3/022
 2014/0360543 A1 * 12/2014 Steiner A45B 3/00
 261/28
 239/222.11
 261/28
 239/289
 135/66

* cited by examiner

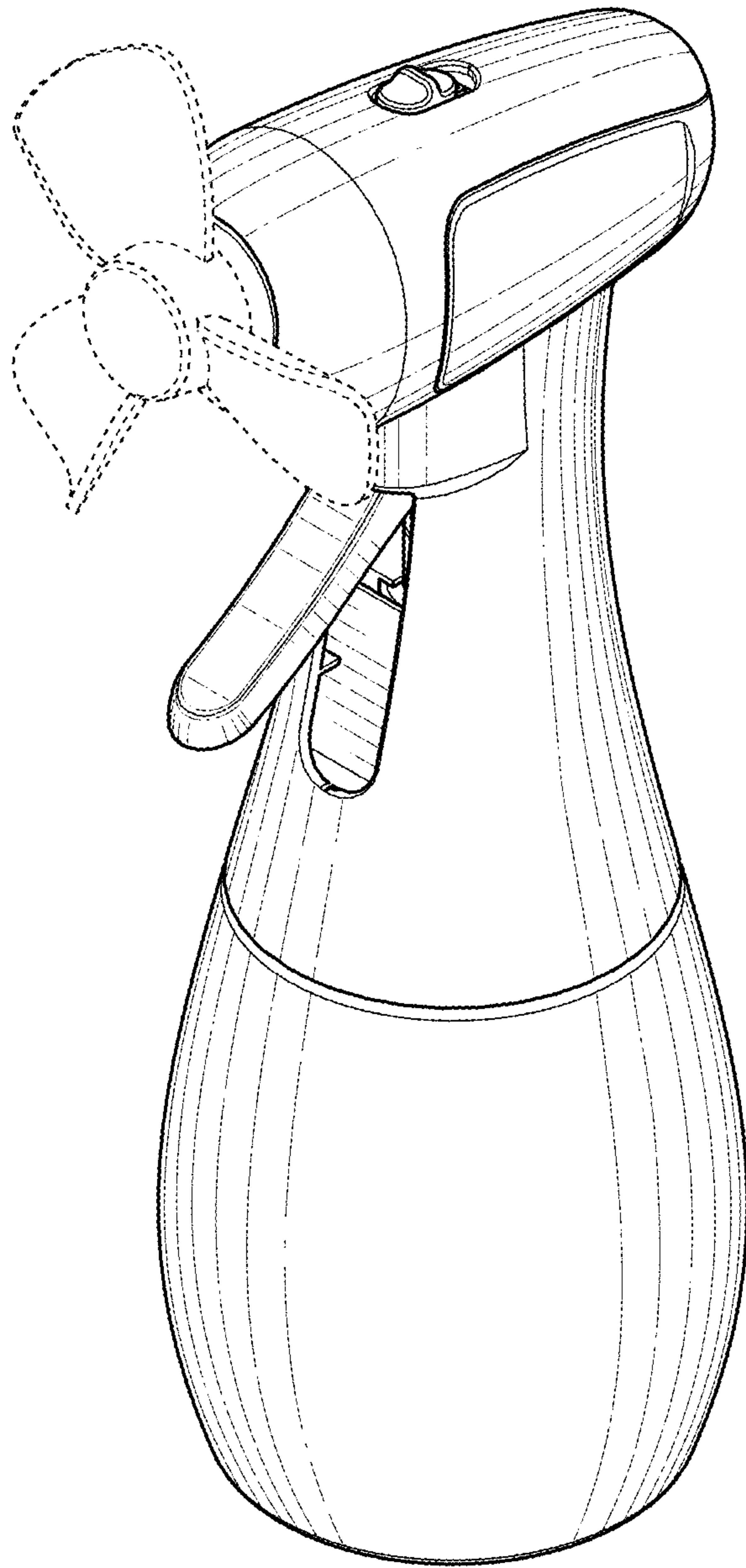


FIG. 1

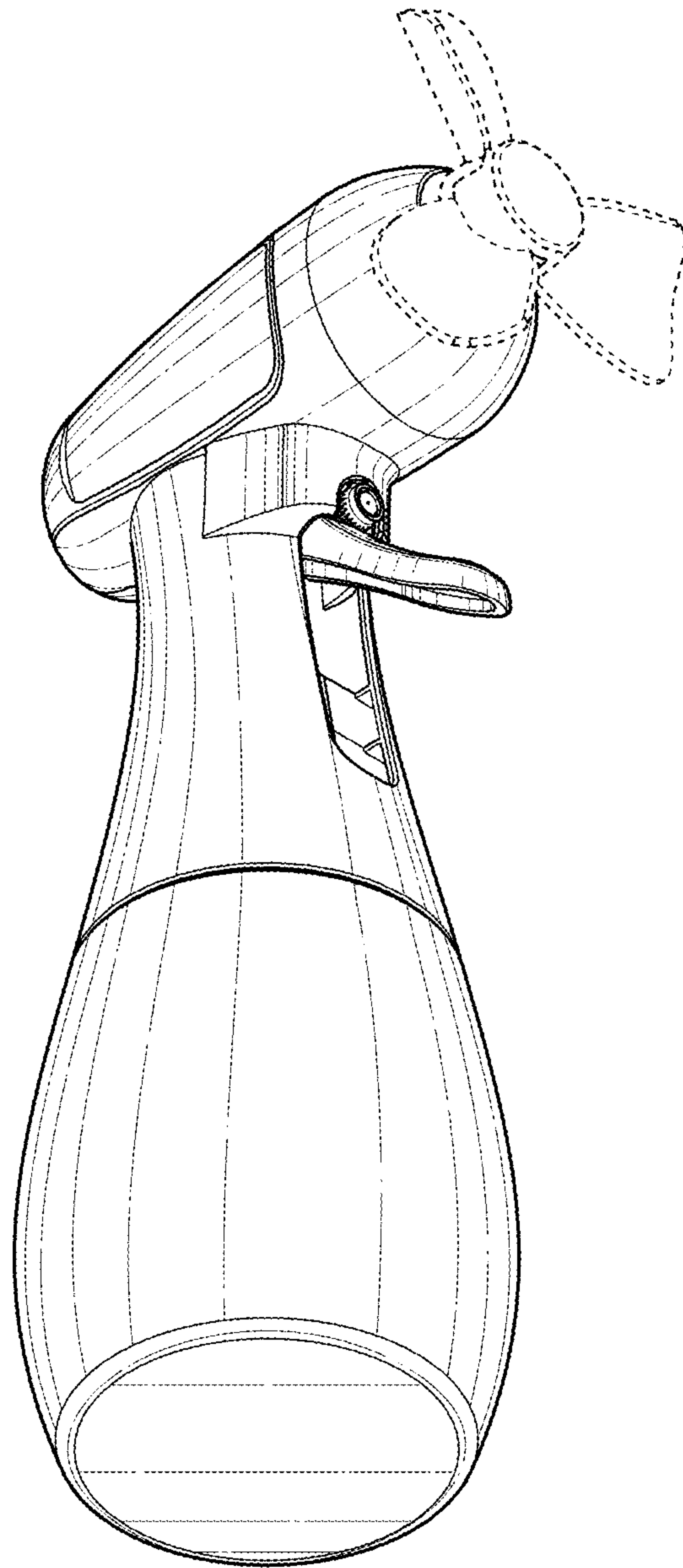


FIG. 2

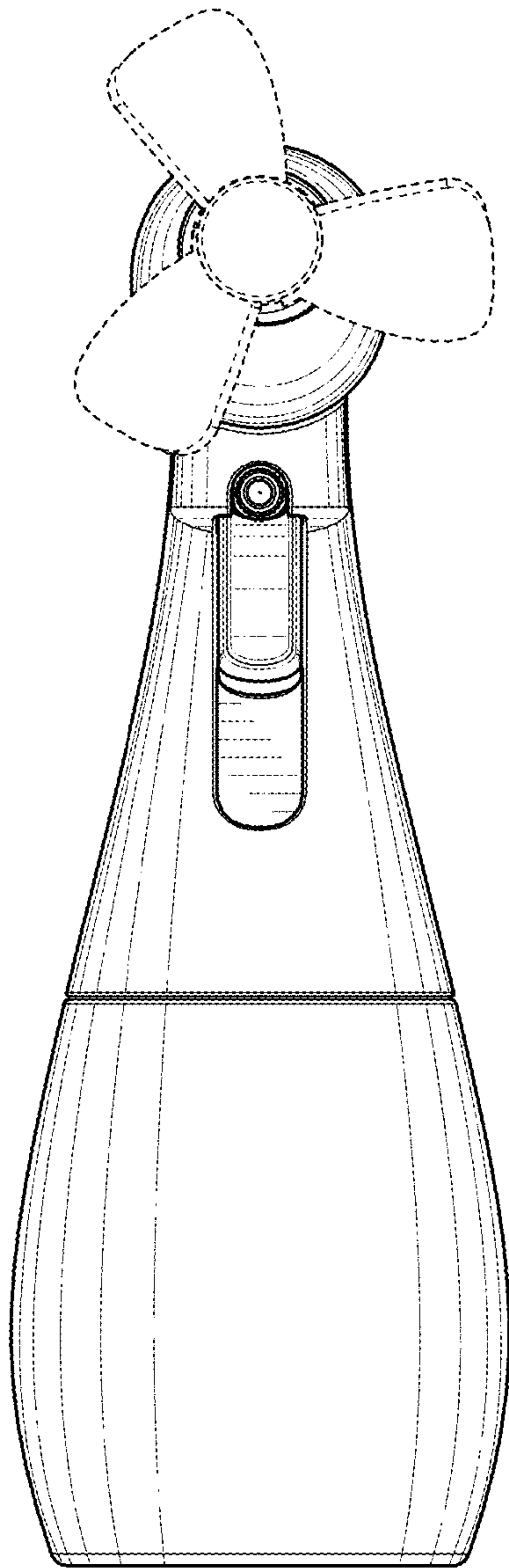


FIG. 3

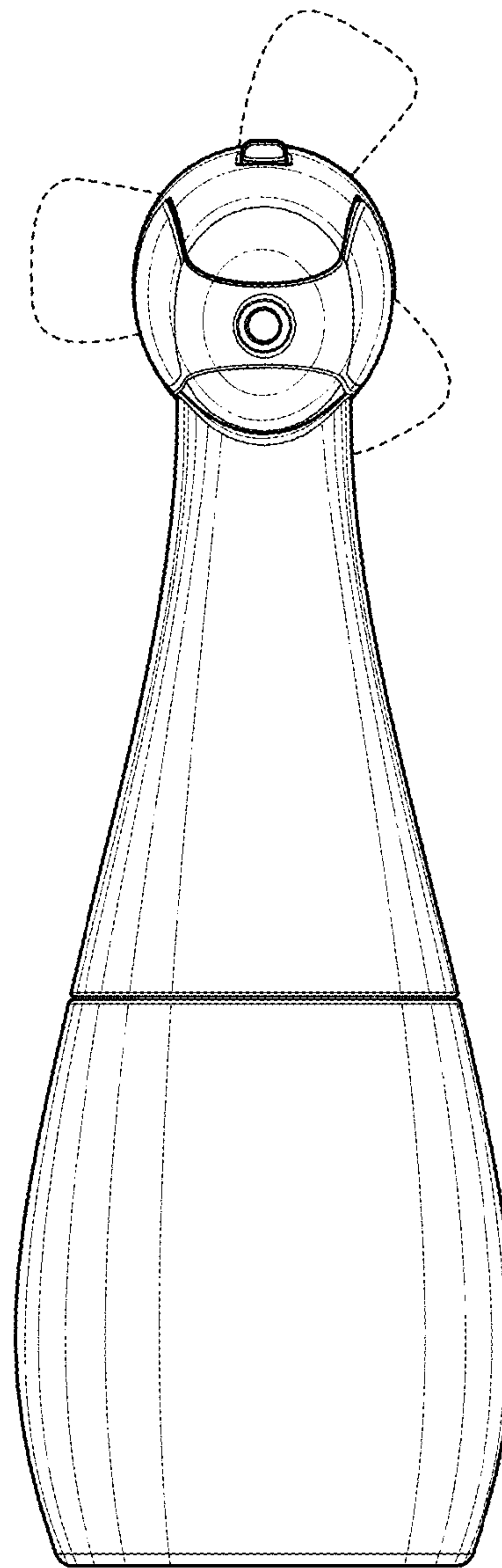


FIG. 4

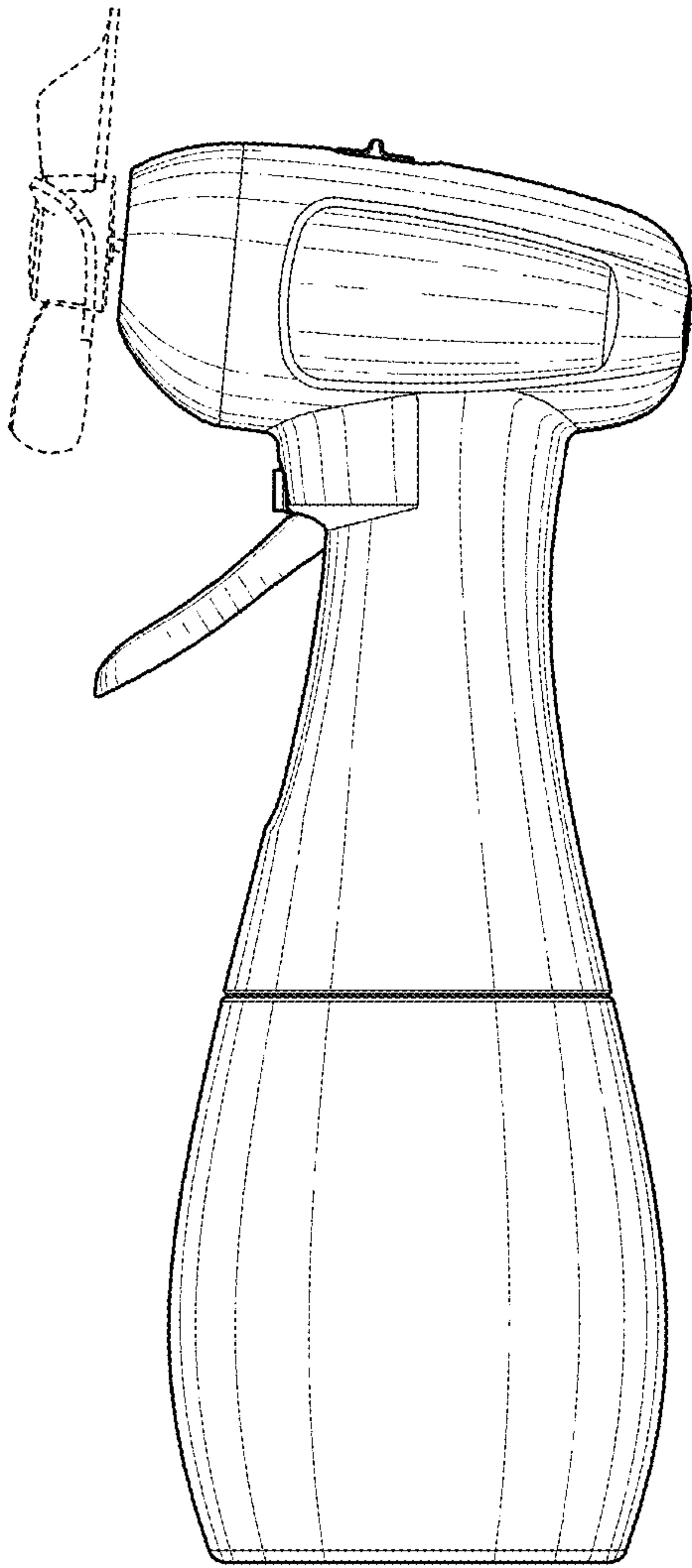


FIG. 5

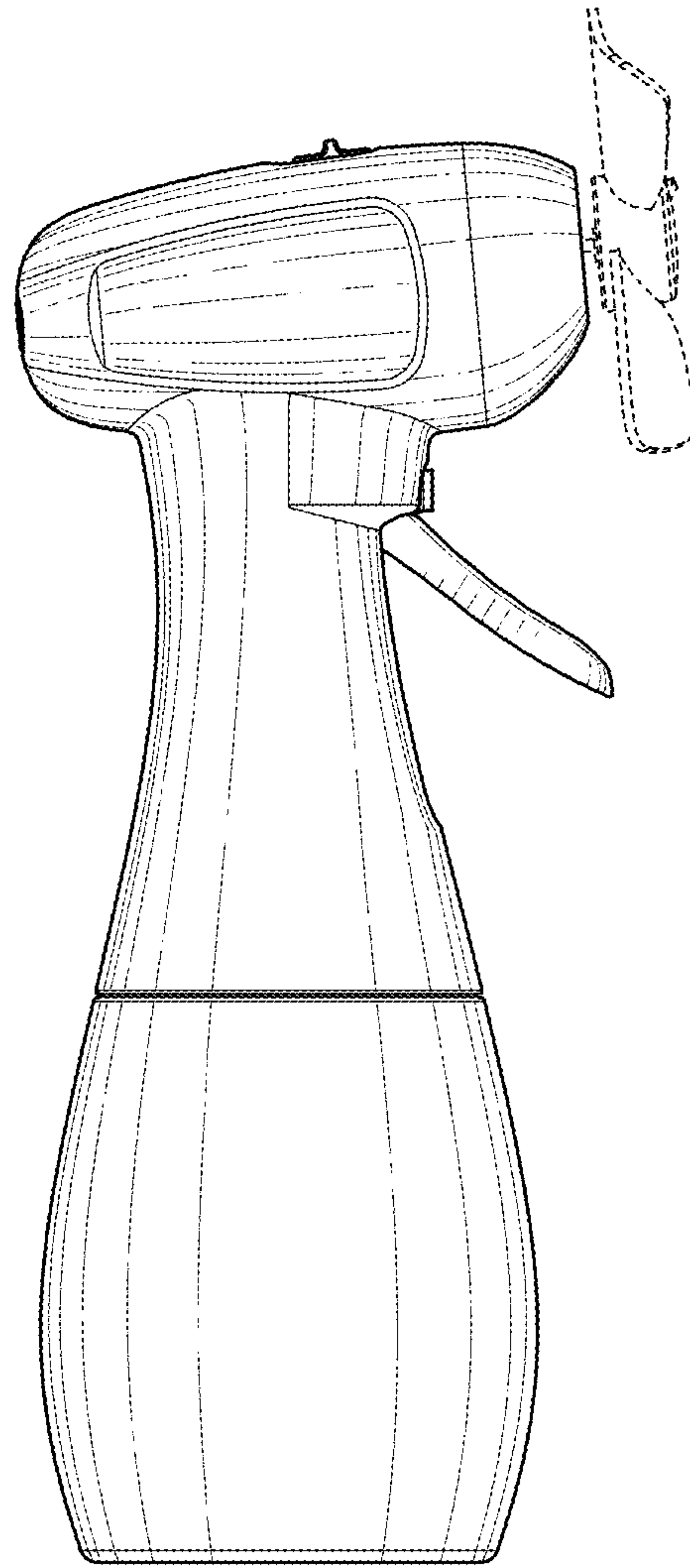


FIG. 6

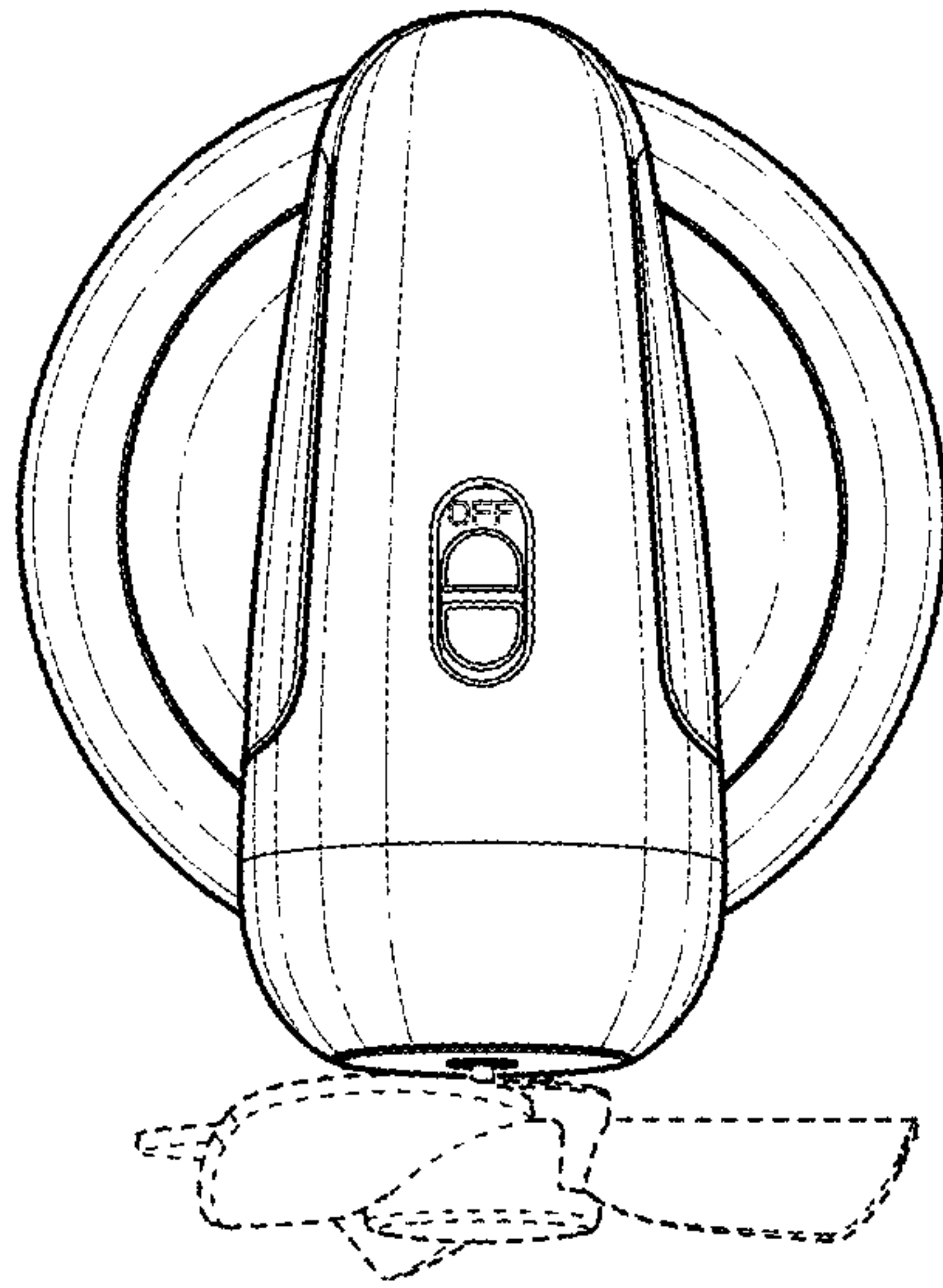


FIG. 7

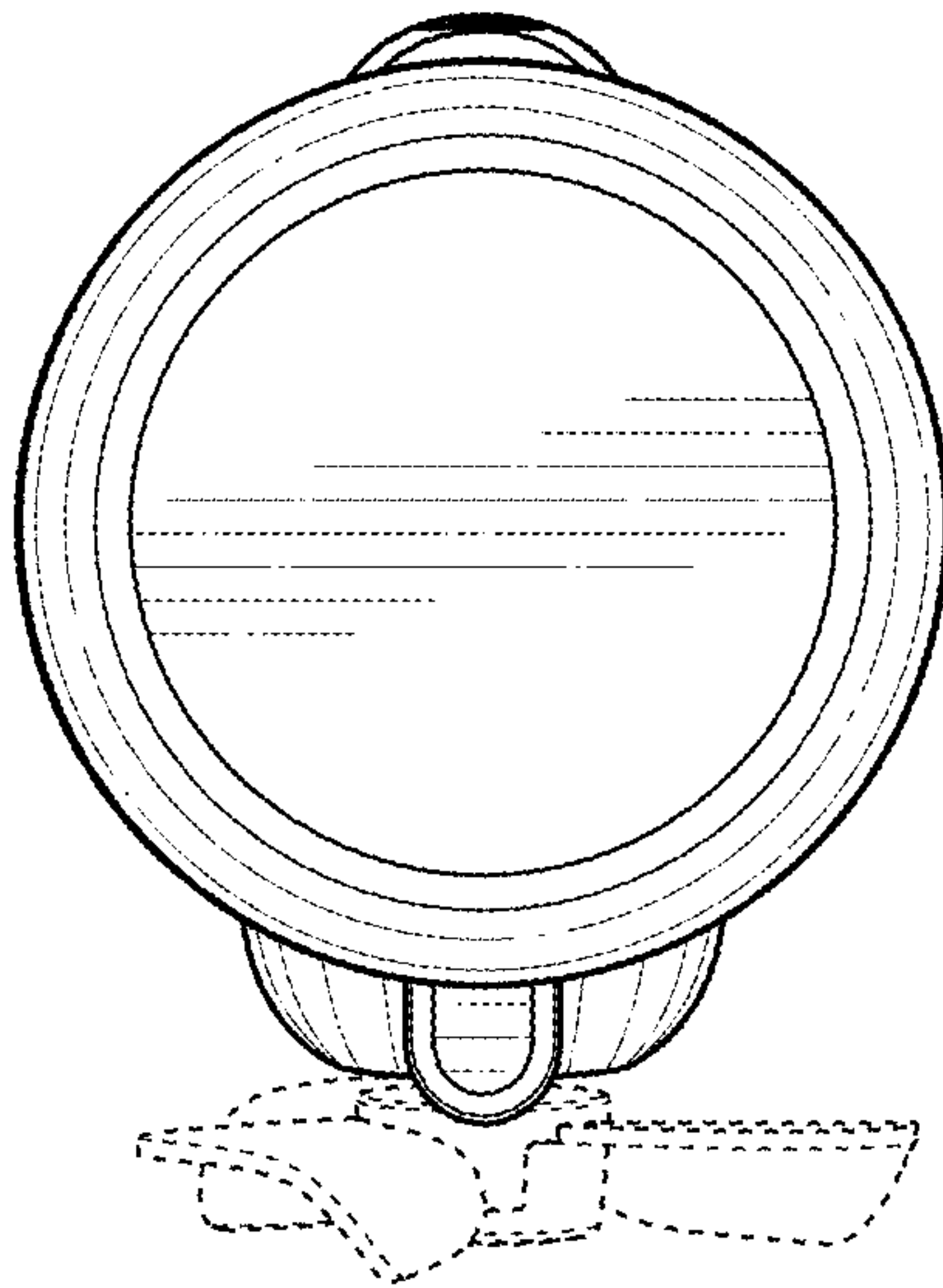


FIG. 8