



US00D770020S

(12) **United States Design Patent** (10) **Patent No.:** **US D770,020 S**
Lilly et al. (45) **Date of Patent:** **** Oct. 25, 2016**

- (54) **SINK**
- (71) Applicant: **Kohler Co.**, Kohler, WI (US)
- (72) Inventors: **Thomas Lilly**, Kohler, WI (US);
Terrence K. Mahon, Whitefish Bay, WI (US)
- (73) Assignee: **KOHLER CO.**, Kohler, WI (US)
- (**) Term: **15 Years**
- (21) Appl. No.: **29/567,286**
- (22) Filed: **Jun. 7, 2016**

- D495,037 S 8/2004 Ziemann
- D520,125 S 5/2006 Paredes
- D549,806 S 8/2007 Taylor
- D678,990 S 3/2013 Eilmus
- D680,631 S 4/2013 Eilmus
- D680,632 S 4/2013 Eilmus
- RE45,624 E 7/2015 Eilmus

Related U.S. Application Data

- (62) Division of application No. 29/536,274, filed on Aug. 14, 2015.
- (51) **LOC (10) Cl.** **23-01**
- (52) **U.S. Cl.**
USPC **D23/284**
- (58) **Field of Classification Search**
USPC D23/284, 286, 287, 290, 303, 308
CPC A47K 1/02; A47L 17/02; A47L 19/02;
E03C 1/14; E03C 1/18; E03C 1/182; E03C
1/186
See application file for complete search history.

References Cited

U.S. PATENT DOCUMENTS

- D464,123 S 10/2002 Paredes
- D464,125 S 10/2002 Bayer
- D464,126 S 10/2002 Bayer

OTHER PUBLICATIONS

- U.S. Appl. No. 29/514,952, filed Jan. 19, 2015, Lilly.
- U.S. Appl. No. 29/521,960, filed Mar. 26, 2015, Eilmus.

Primary Examiner — Robert Delehanty

(74) *Attorney, Agent, or Firm* — Foley & Lardner LLP

(57) **CLAIM**

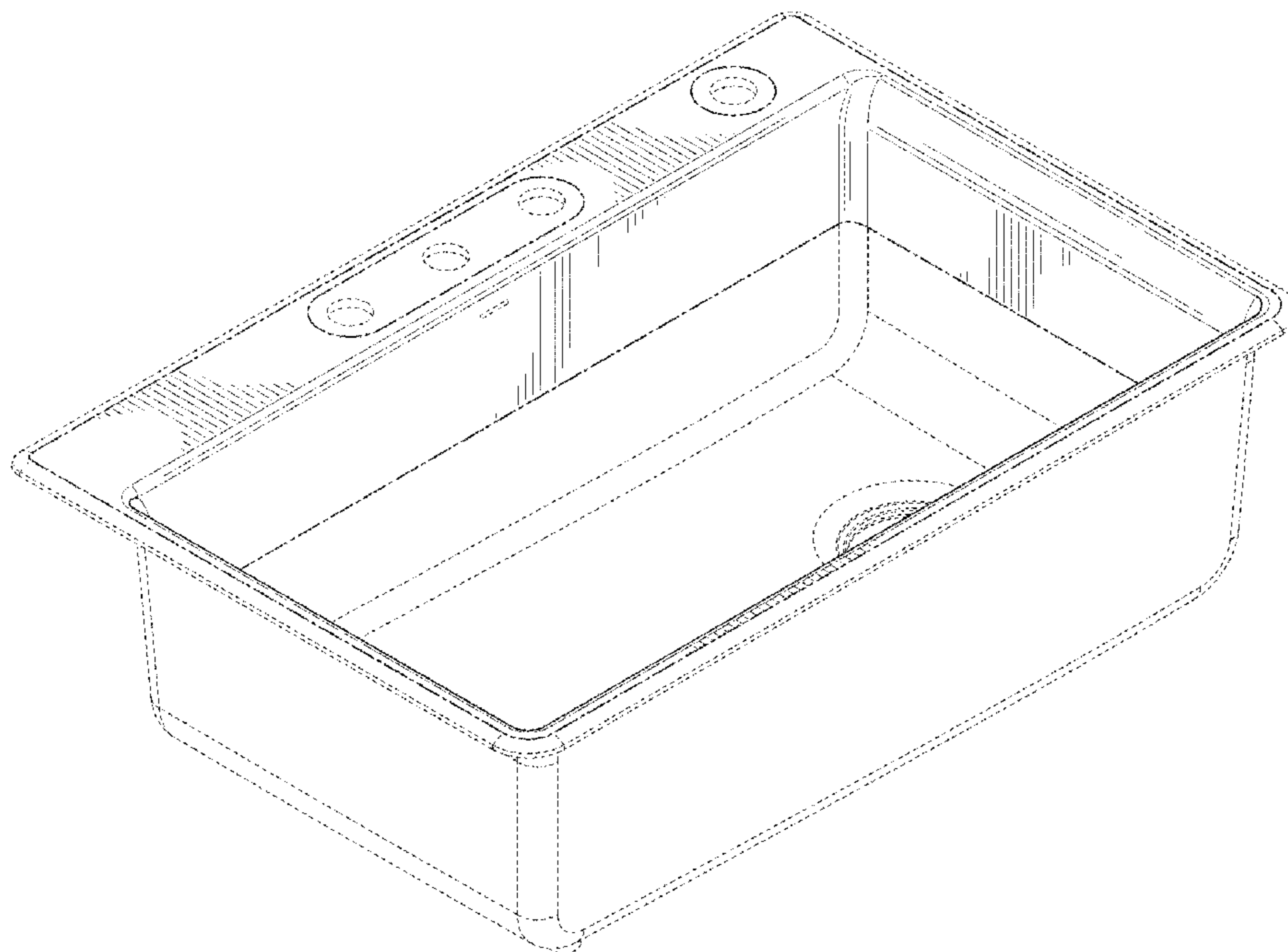
We claim the ornamental design for a sink, as shown and described.

DESCRIPTION

FIG. 1 is a perspective view of an embodiment of the claimed design;
 FIG. 2 is a top view thereof;
 FIG. 3 is a bottom view thereof;
 FIG. 4 is a front view thereof;
 FIG. 5 is a left side view thereof; and,
 FIG. 6 is a right side view thereof.

The ornamental design which is claimed is shown in solid lines in the drawings. The broken lines in the drawings form no part of the claimed design. Broken lines formed by equal length dashes show unclaimed subject matter. Broken lines formed of unequal length dashes (i.e., dash-dot) define bounds of the claimed design. Broken away symbols having a jagged element show that no particular length of the portion is claimed.

1 Claim, 5 Drawing Sheets



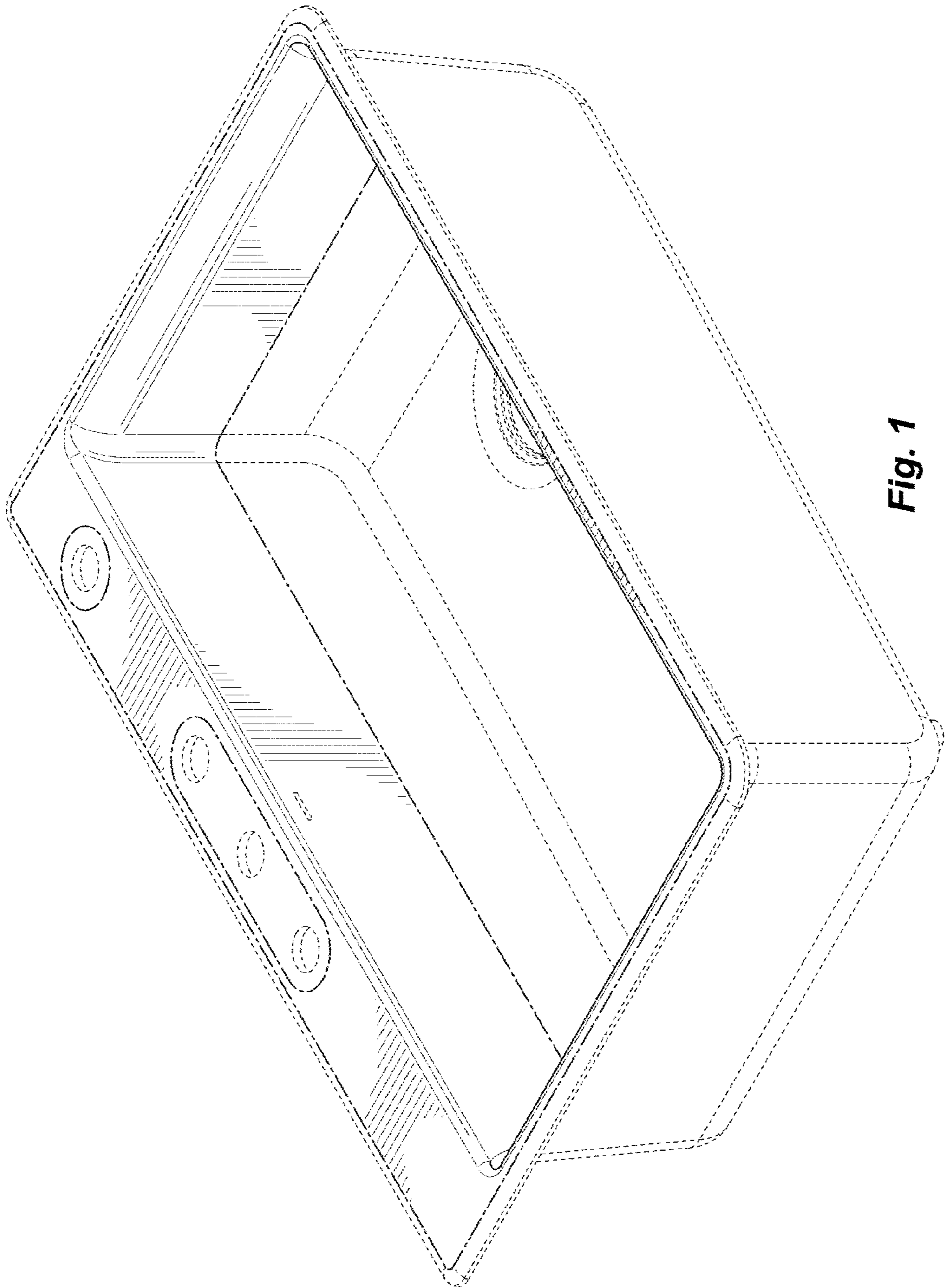


Fig. 1

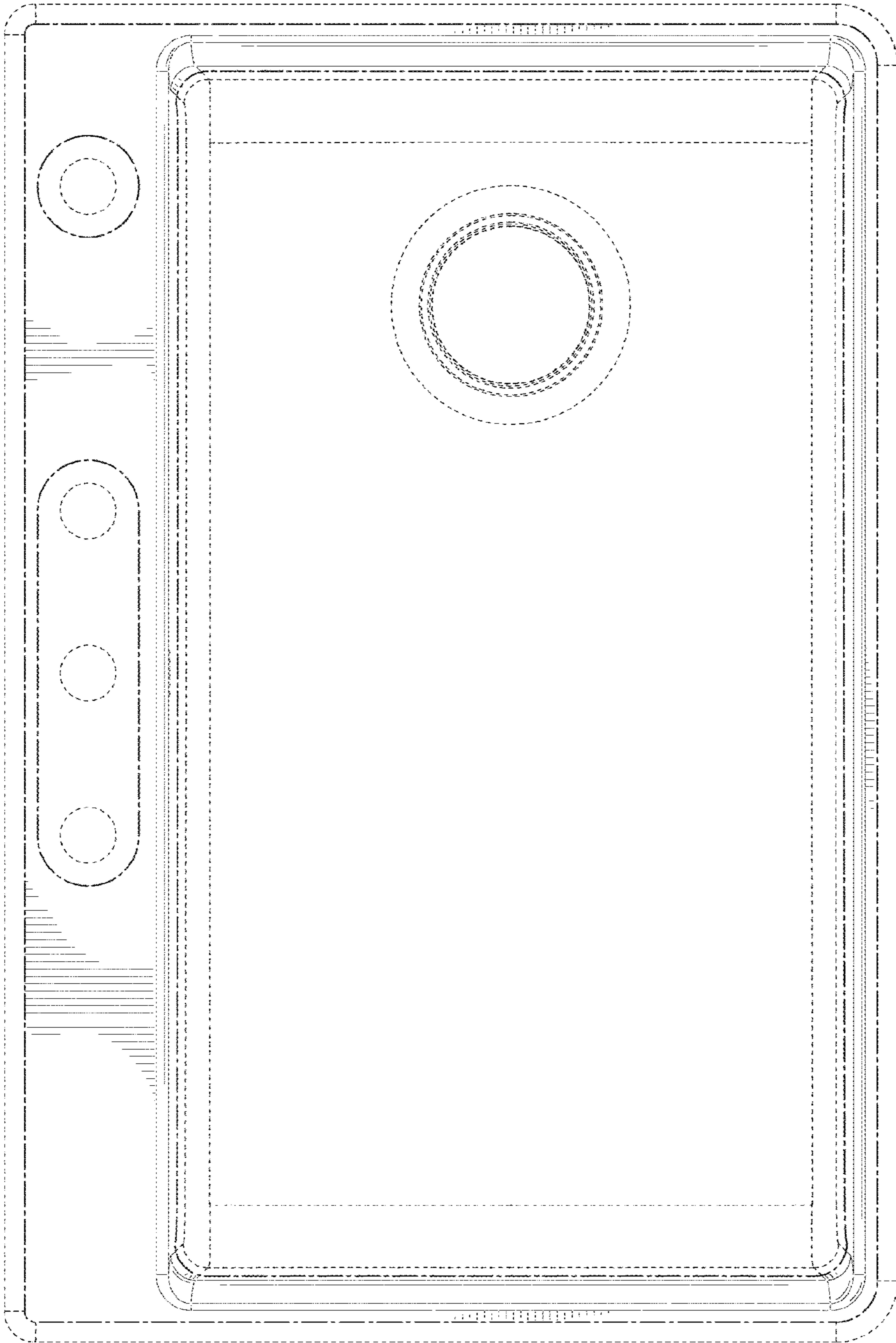


Fig. 2

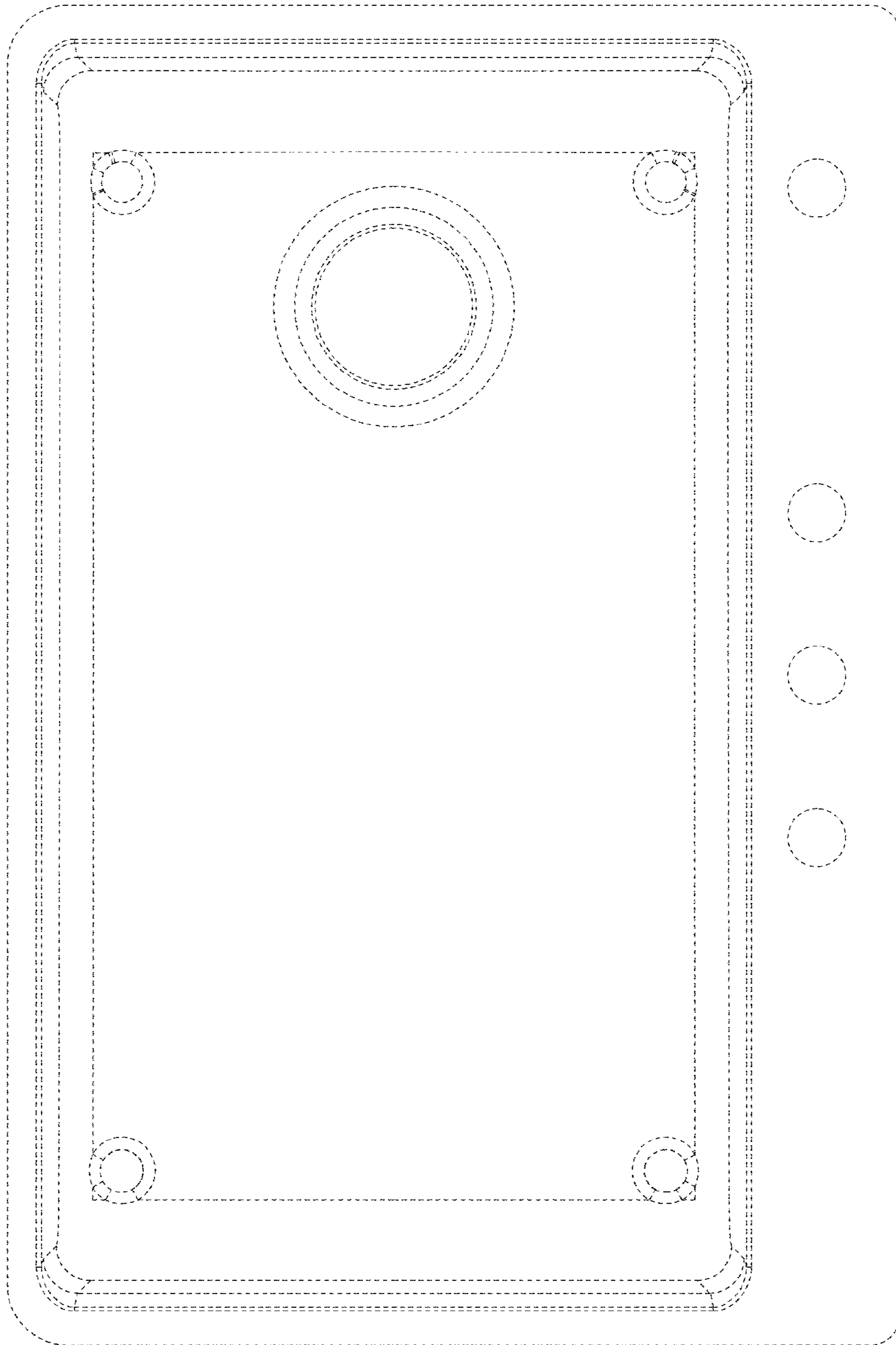


Fig. 3

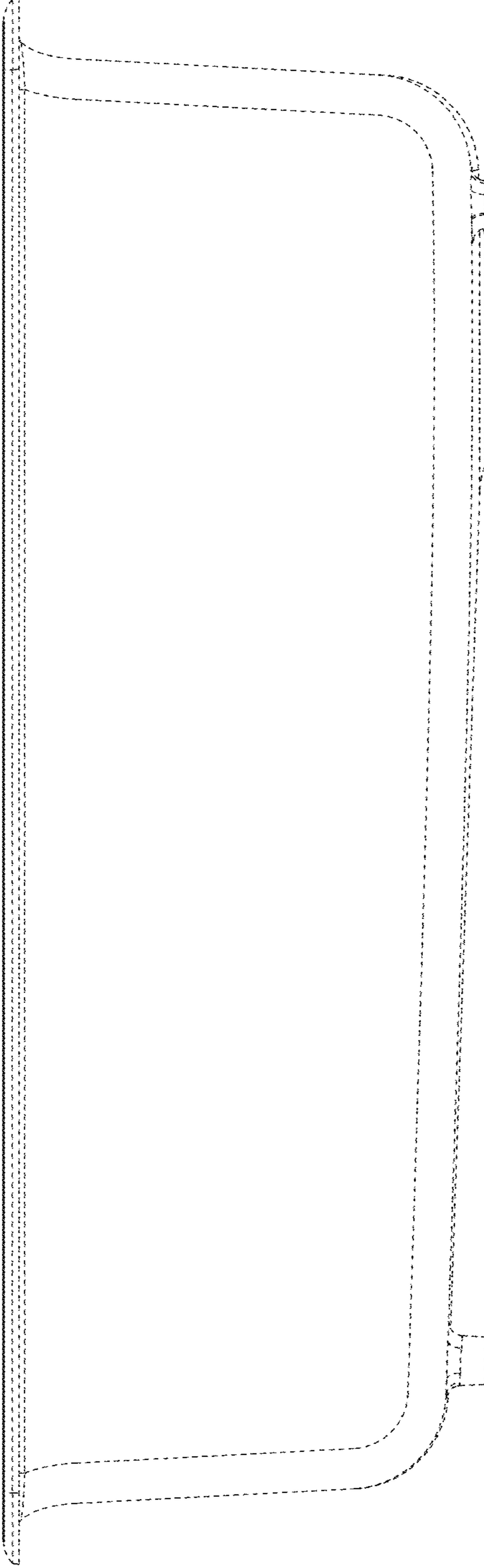


Fig. 4

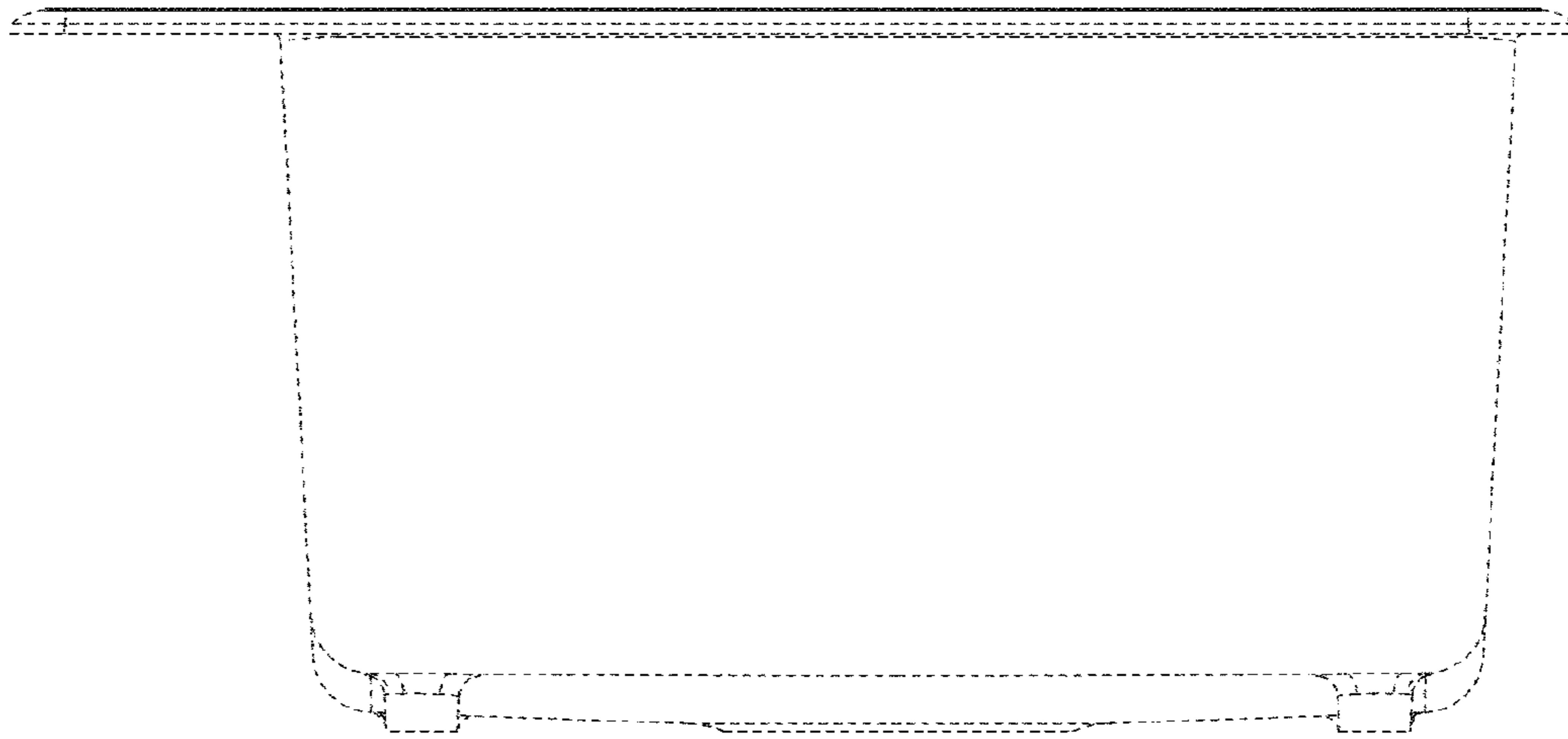


Fig. 5

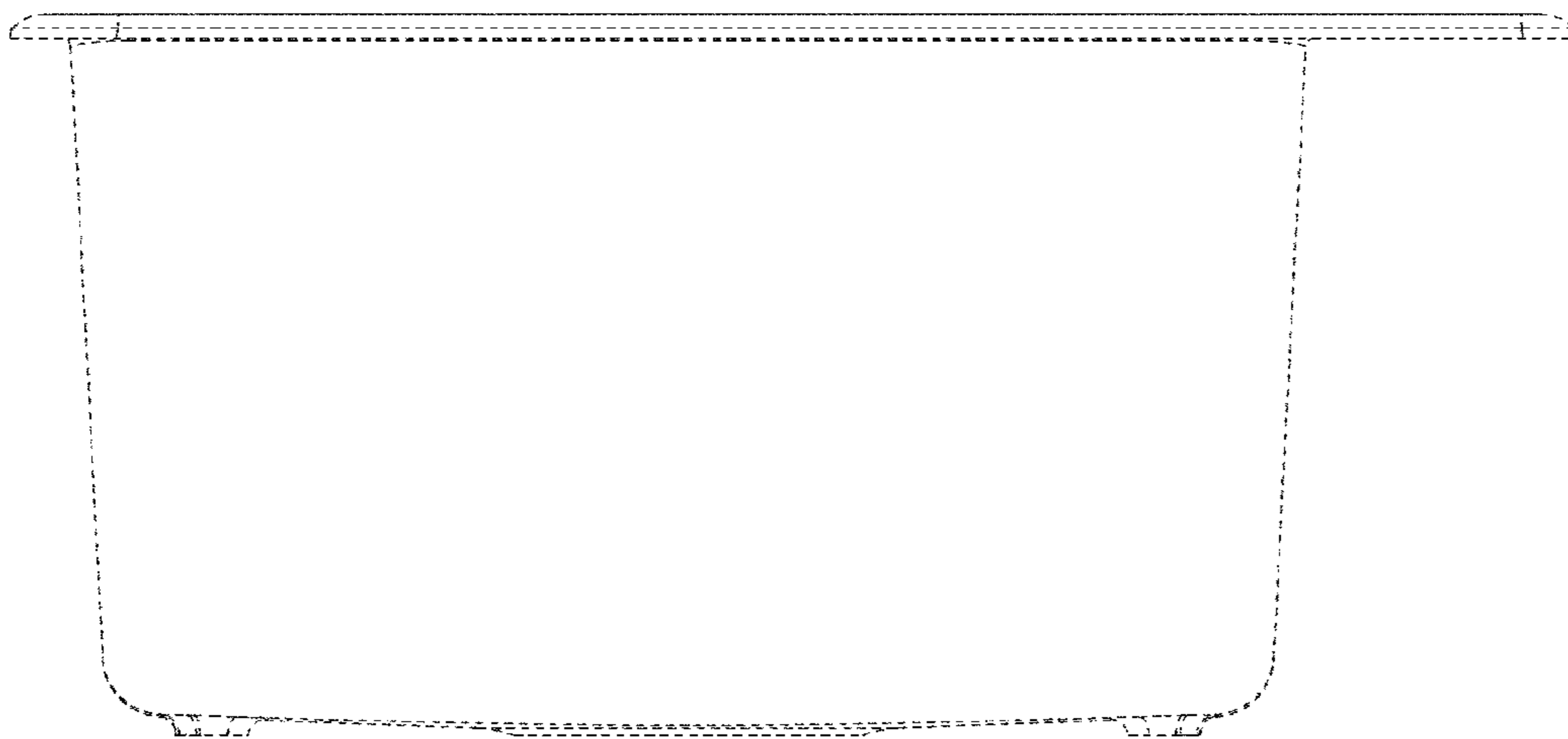


Fig. 6