



US00D770018S

(12) **United States Design Patent**
Musolf et al.

(10) **Patent No.:** **US D770,018 S**

(45) **Date of Patent:** **** Oct. 25, 2016**

(54) **PINCH VALVE HEAD**

(71) Applicants: **Blaik A. Musolf**, Concord, CA (US);
Russell M. Ziegler, Pleasant Hill, CA
(US); **Winston K. Wong**, Bradford,
MA (US)

(72) Inventors: **Blaik A. Musolf**, Concord, CA (US);
Russell M. Ziegler, Pleasant Hill, CA
(US); **Winston K. Wong**, Bradford,
MA (US)

(73) Assignee: **Acro Associates, Inc.**, Concord, CA
(US)

(**) Term: **14 Years**

(21) Appl. No.: **29/526,292**

(22) Filed: **May 7, 2015**

(51) **LOC (10) Cl.** **23-01**

(52) **U.S. Cl.**
USPC **D23/233**

(58) **Field of Classification Search**
USPC D23/233-250; 137/488, 12, 14, 15.19,
137/493, 486, 505.11, 505.25, 833, 595,
137/505.47; 251/9, 129.15, 10, 129.03, 12,
251/129.06, 30.05, 331
CPC F16K 7/045; F16K 99/0001; F16K 31/12
See application file for complete search history.

(56) **References Cited**

U.S. PATENT DOCUMENTS

4,372,528 A * 2/1983 Raftis F16K 7/04
251/127
D546,920 S * 7/2007 Fulkerson D23/233

D597,629 S * 8/2009 Fulkerson D23/233
D726,873 S * 4/2015 Fulkerson D23/233
D726,874 S * 4/2015 Wong D23/233
D726,875 S * 4/2015 Wong D23/233
D735,834 S * 8/2015 Wong D23/233
D744,615 S * 12/2015 Fulkerson D23/233

* cited by examiner

Primary Examiner — Cynthia Ramirez

Assistant Examiner — Gino Colan

(74) *Attorney, Agent, or Firm* — Dunlap Bennett &
Ludwig PLLC

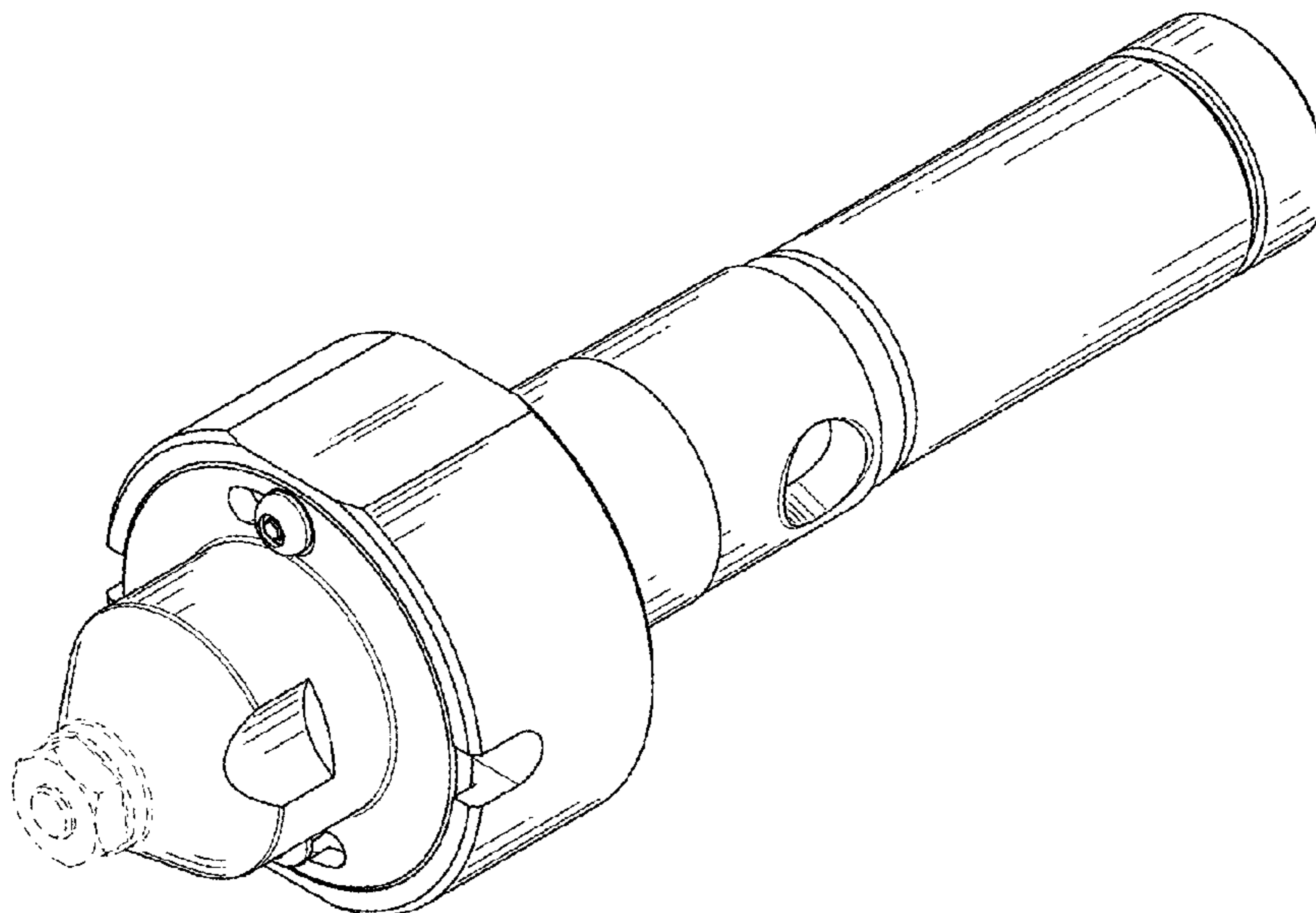
(57) **CLAIM**

The ornamental design for a pinch valve head, as shown and described.

DESCRIPTION

FIG. 1 is a front perspective view of a pinch valve head;
FIG. 2 is a front elevation view thereof;
FIG. 3 is a rear elevation view thereof;
FIG. 4 is a right elevation view thereof;
FIG. 5 is a left side elevation view thereof;
FIG. 6 is a top plan view thereof;
FIG. 7 is a bottom plan view thereof;
FIG. 8 is an exploded perspective view thereof; and,
FIG. 9 is a perspective view thereof, shown in use.
The broken lines shown in the drawings illustrate portions of
the pinch valve head that form no part of the claimed design.

1 Claim, 4 Drawing Sheets



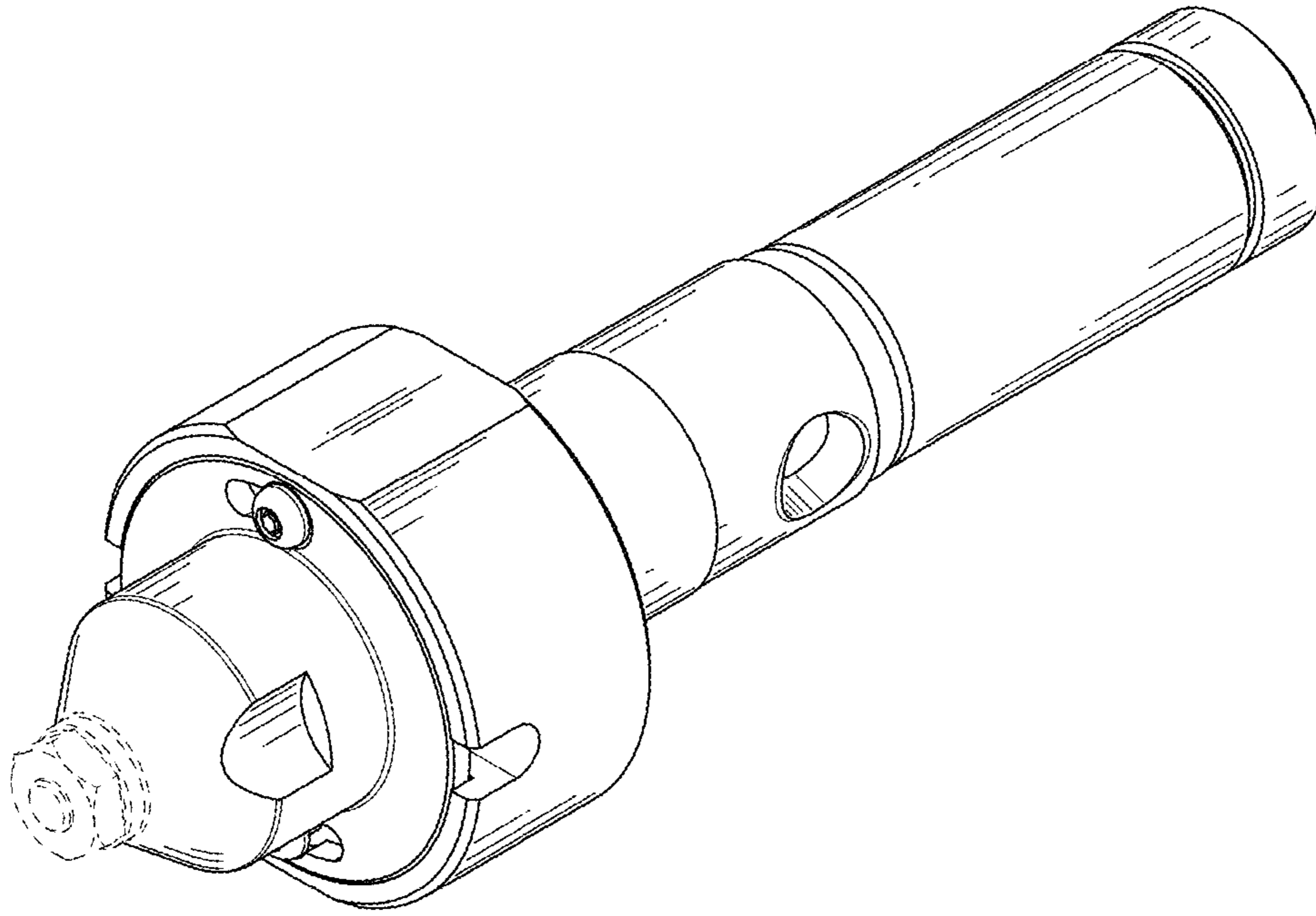


FIG. 1

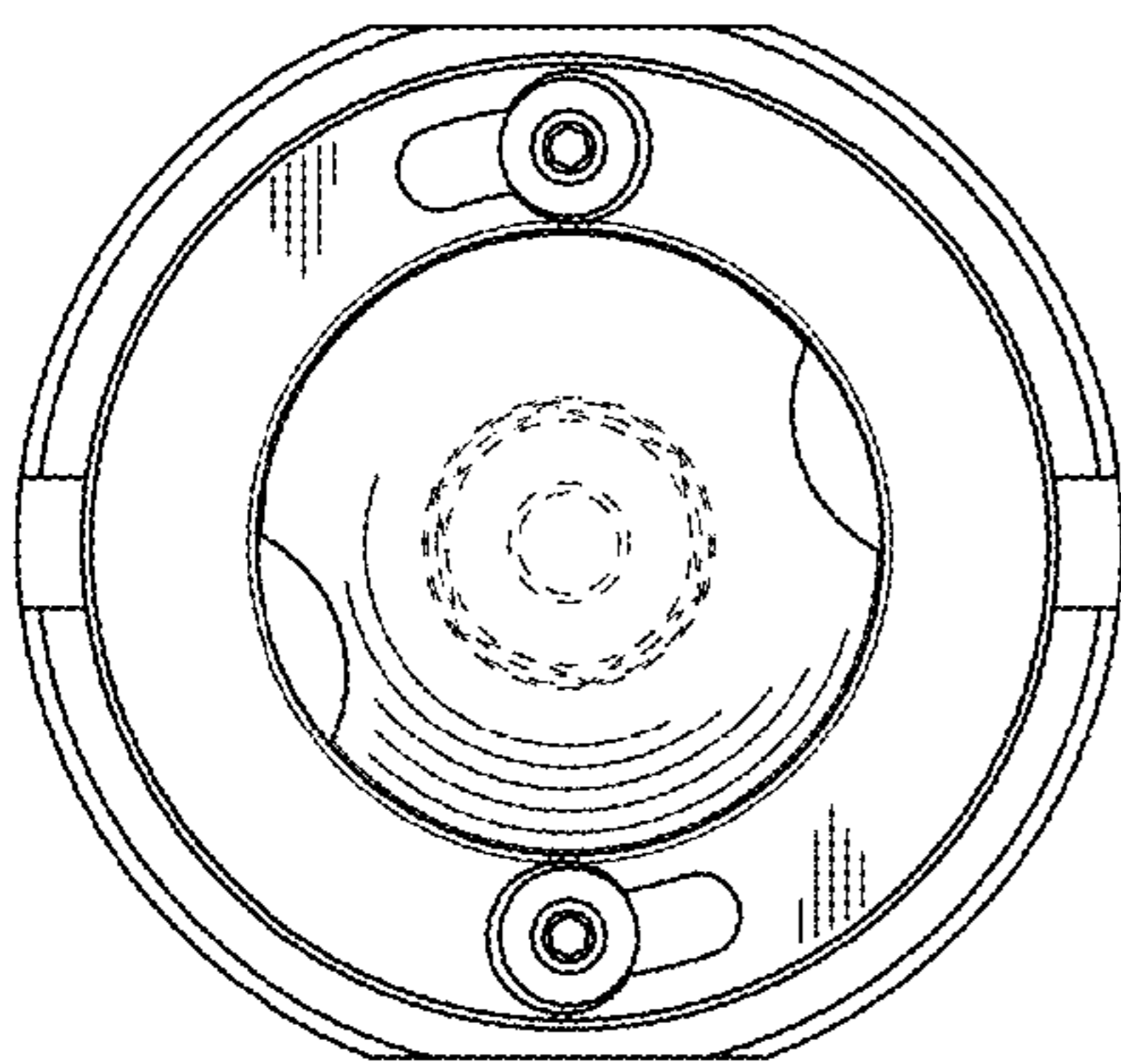


FIG. 2

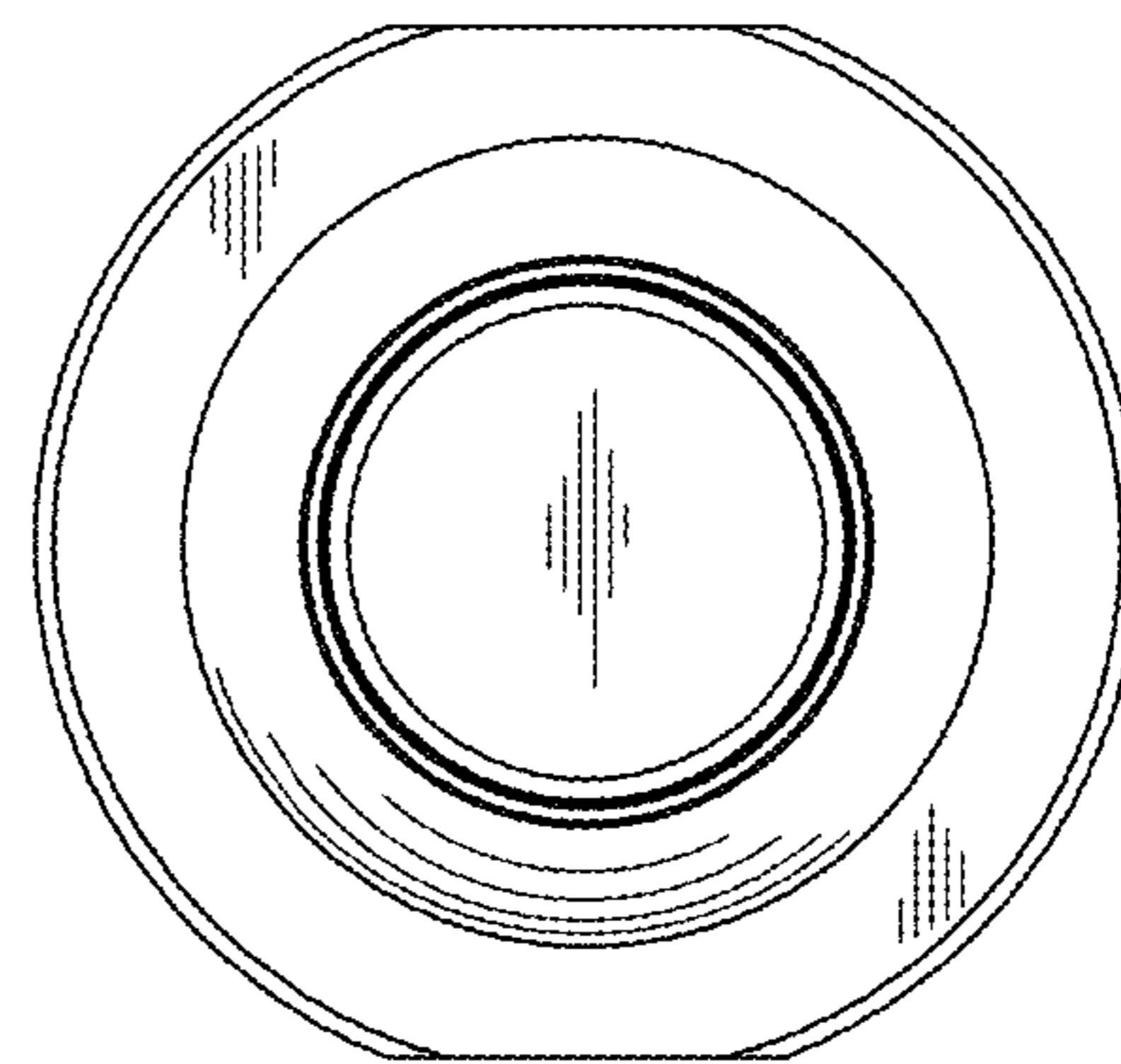


FIG. 3

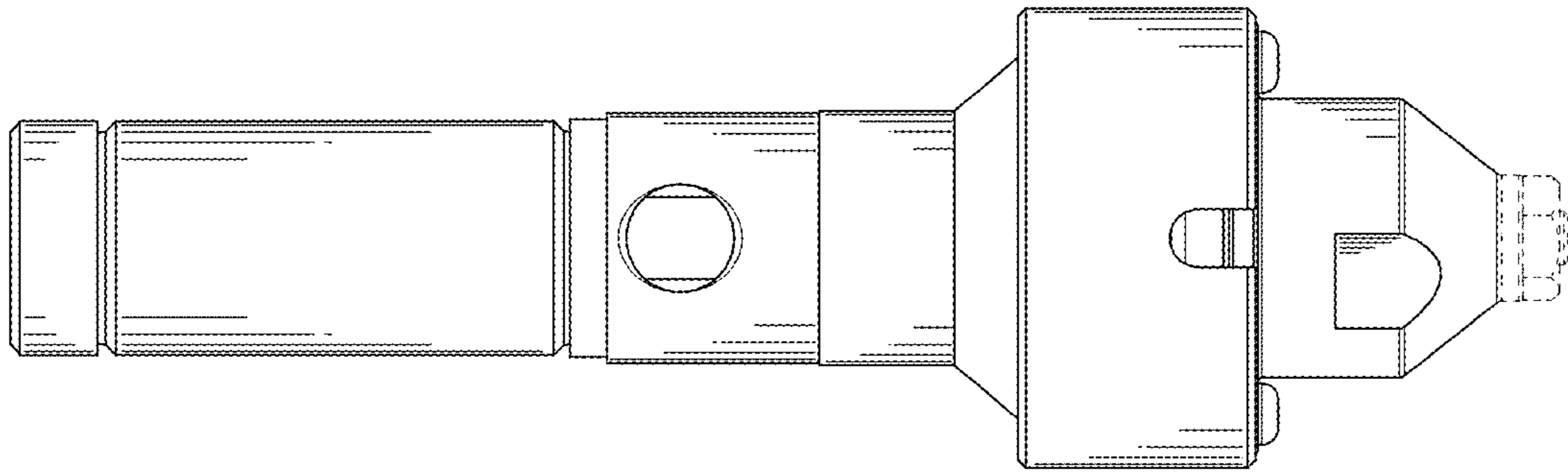


FIG. 4

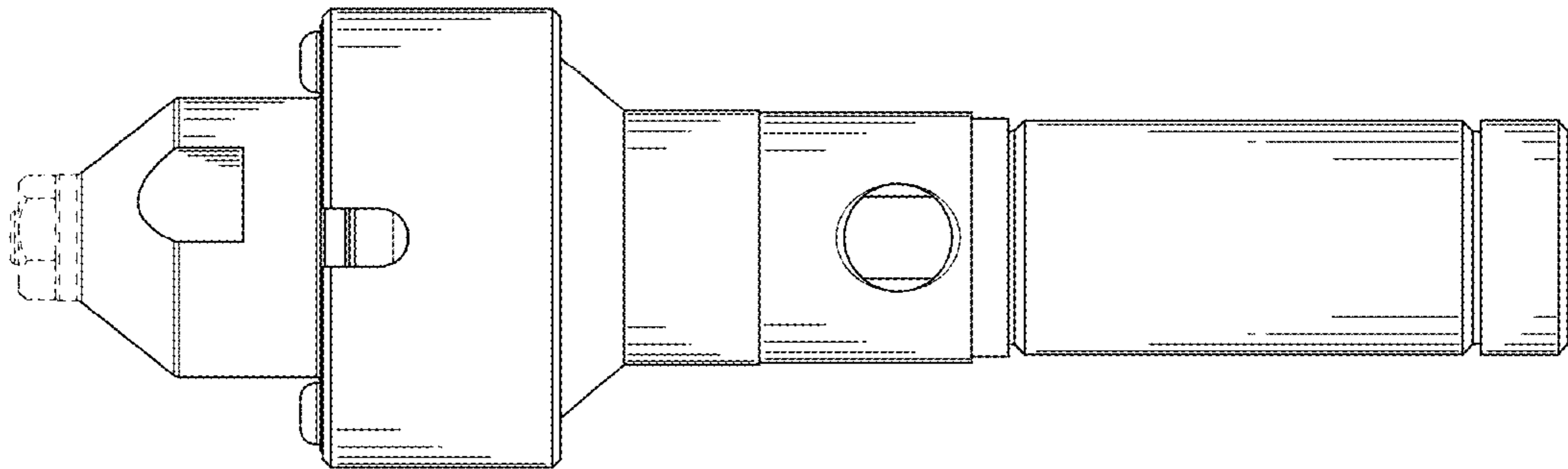


FIG. 5

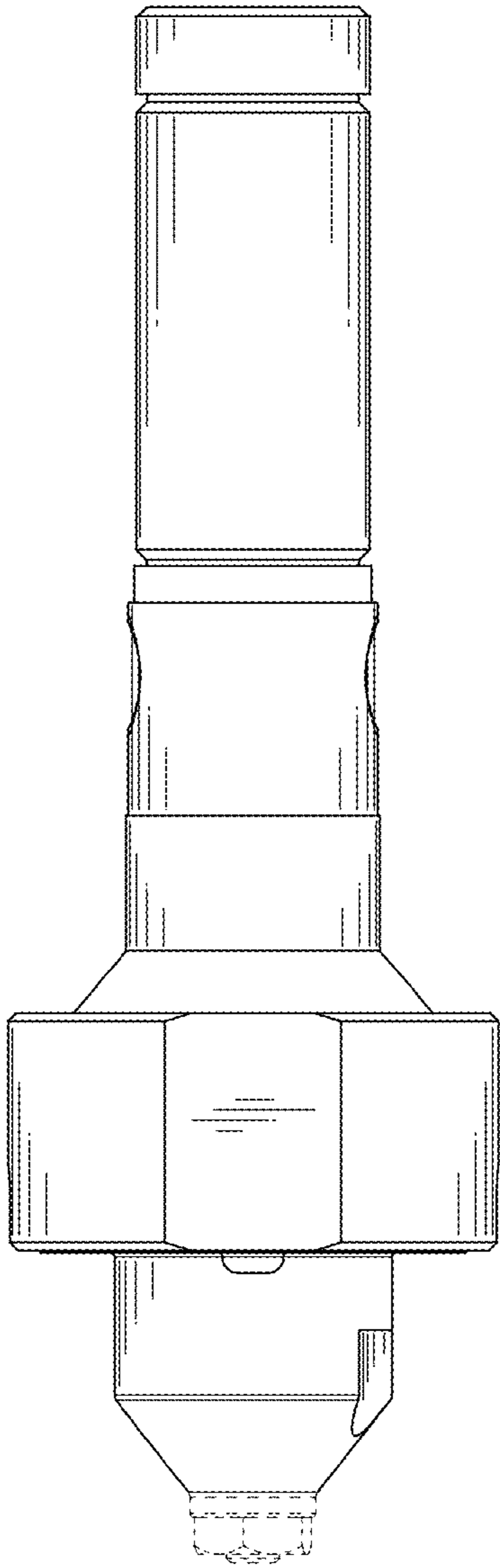


FIG. 6

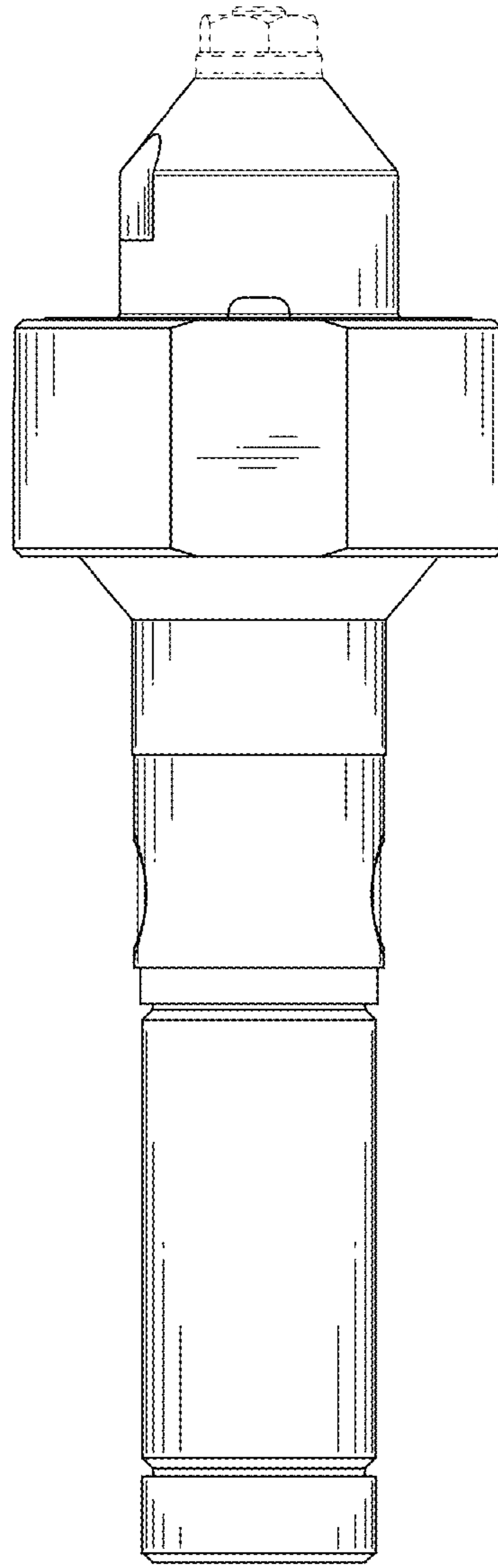


FIG. 7

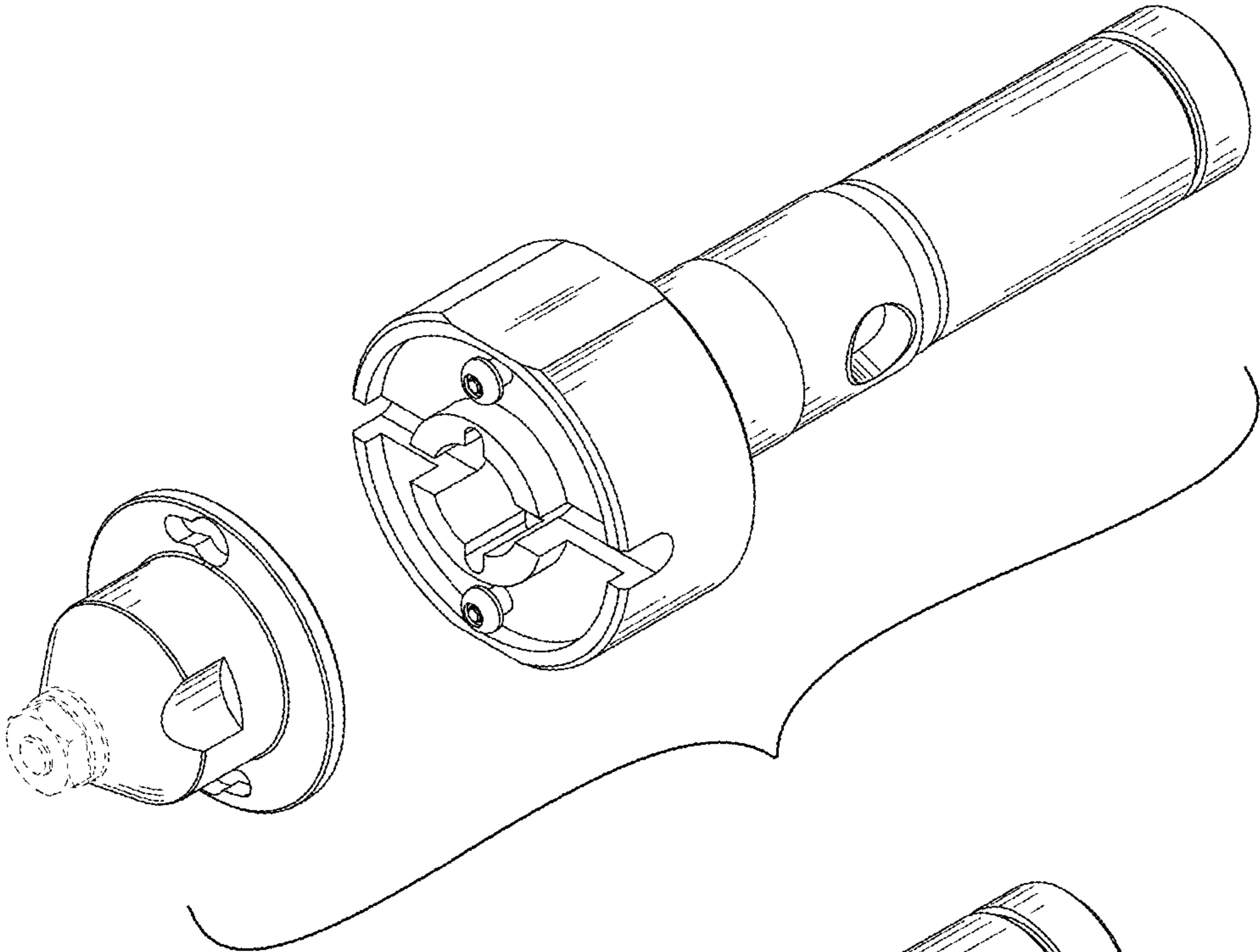


FIG. 8

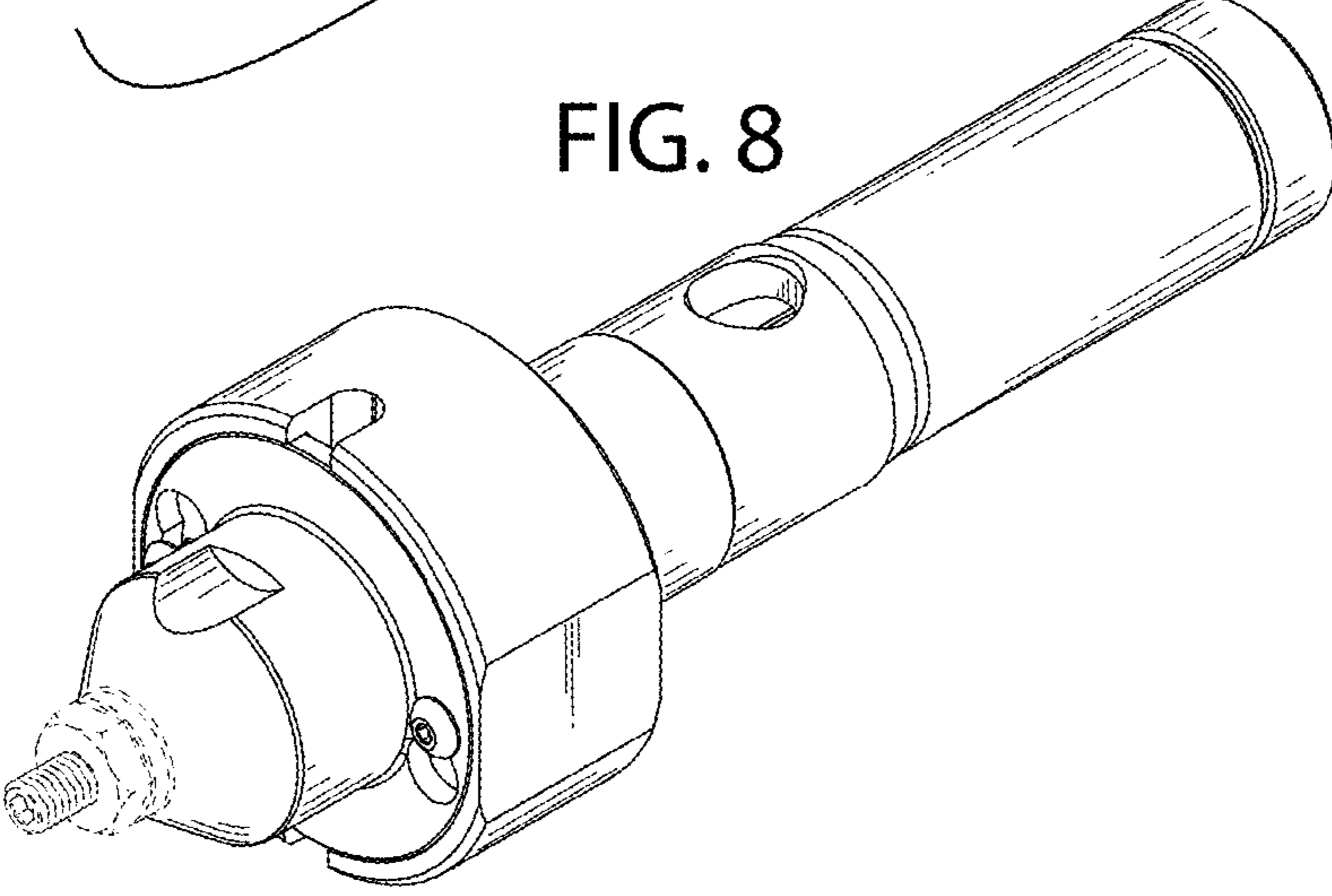


FIG. 9