



US00D770016S

(12) **United States Design Patent**  
**Wirz Luchsinger**

(10) **Patent No.:** **US D770,016 S**  
(45) **Date of Patent:** **\*\* Oct. 25, 2016**

- (54) **DUAL MOUTH SPRAYER TANK**
- (71) Applicant: **Swissmex-Rapid, S.A. de C.V.**, Lagos de Moreno (MX)
- (72) Inventor: **Pedro Wirz Luchsinger**, Lagos de Moreno (MX)
- (\*\*) Term: **15 Years**
- (21) Appl. No.: **29/532,124**
- (22) Filed: **Jul. 1, 2015**
- (51) **LOC (10) Cl.** ..... **23-01**
- (52) **U.S. Cl.**  
USPC ..... **D23/225; D23/202**
- (58) **Field of Classification Search**  
USPC ..... D23/213, 202, 225; 239/302, 308, 310, 239/332-3; 220/565  
CPC . B05B 7/2408; B05B 7/2421; B05B 9/0861; B05B 9/08  
See application file for complete search history.

D570,447 S	6/2008	Hillhouse	
D582,000 S *	12/2008	Campbell	D23/202
D591,387 S	4/2009	Campbell	
D604,386 S *	11/2009	Campbell	D23/202
D609,773 S	2/2010	Abernethy et al.	
D616,959 S	6/2010	Wu	
7,854,396 B2	12/2010	Wu	
D633,984 S	3/2011	Plantz	
D643,905 S *	8/2011	DeLorme	D23/202
D652,111 S *	1/2012	DeLorme	D23/202
8,141,754 B2 *	3/2012	Conner	B05B 9/007 222/325
D664,236 S *	7/2012	Hudson	D23/225
8,556,192 B2 *	10/2013	Wise	F04B 17/06 220/501

(Continued)

**OTHER PUBLICATIONS**

United States Trademark Registration No. 3,803,237, registration date Jun. 15, 2010.

*Primary Examiner* — Robin V Webster  
(74) *Attorney, Agent, or Firm* — Robert D. Buyan; Stout, Uxa & Buyan, LLP

(56) **References Cited**  
U.S. PATENT DOCUMENTS

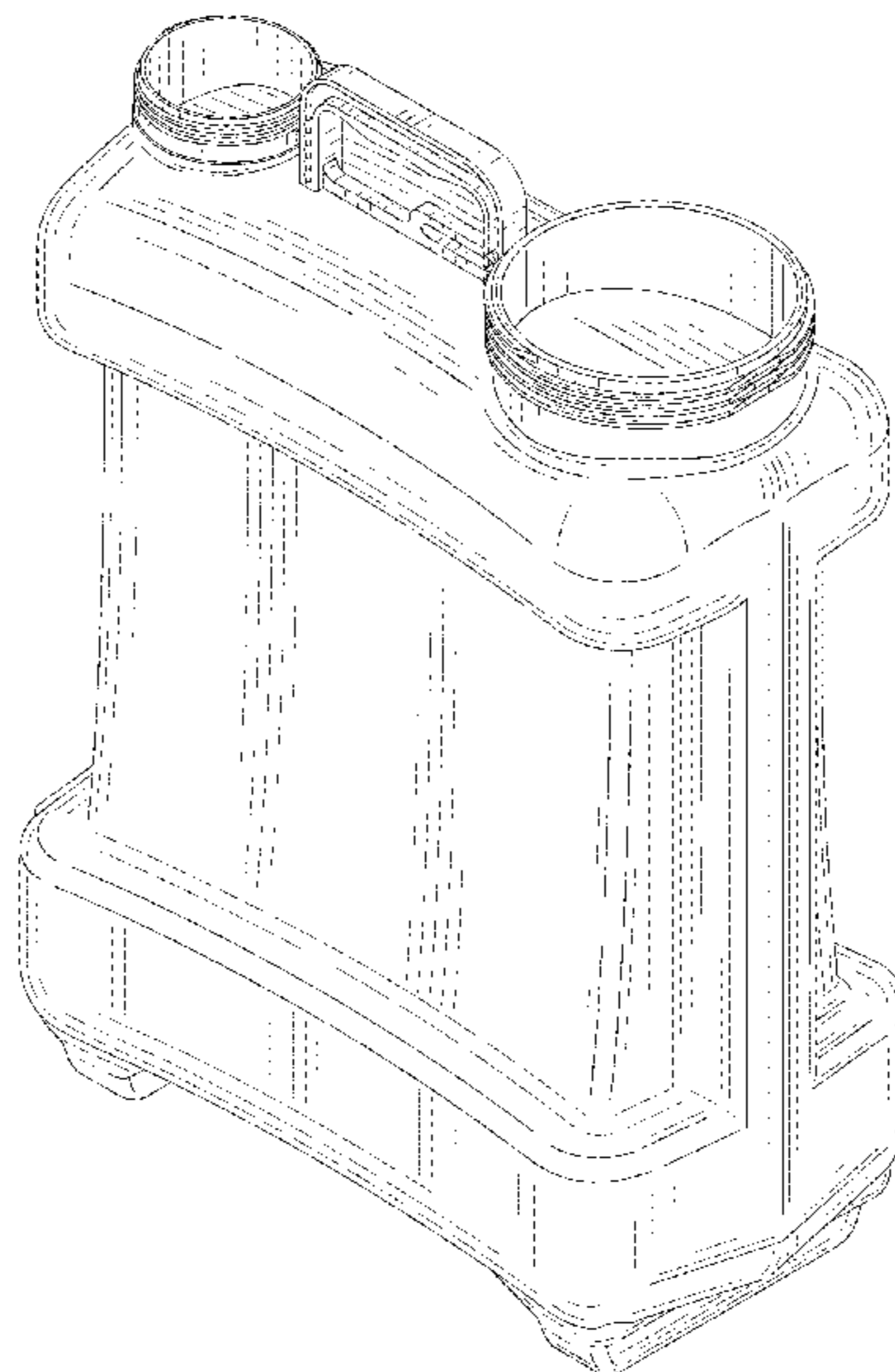
4,702,416 A	10/1987	Pagliai et al.	
D293,705 S *	1/1988	Sayward	D12/218
4,768,714 A	9/1988	Luchsinger	
4,798,333 A	1/1989	Luchsinger	
5,240,186 A	8/1993	Dobbins et al.	
5,335,853 A	8/1994	Wirz	
5,478,015 A	12/1995	Black	
5,636,791 A	6/1997	Leer	
5,671,884 A	9/1997	Restive	
5,775,543 A	7/1998	Wahrenbrock	
5,857,618 A	1/1999	Restive	
5,984,199 A	11/1999	Restive	
6,412,707 B1	7/2002	Wirz	
6,729,558 B1	5/2004	Seenauth	
7,309,028 B2	12/2007	Langhans et al.	
D567,897 S	4/2008	Hillhouse	

(57) **CLAIM**  
The ornamental design for a dual mouth sprayer tank, as shown in the accompanying drawings.

**DESCRIPTION**

FIG. 1 is a front view of an embodiment of a dual mouth sprayer tank;  
FIG. 2 is a top view of the embodiment of FIG. 1;  
FIG. 3 is a bottom view of the embodiment of FIG. 1;  
FIG. 4 is a right side view of the embodiment of FIG. 1;  
FIG. 5 is a rear view of the embodiment of FIG. 1;  
FIG. 6 is a left side view of the embodiment of FIG. 1; and,  
FIG. 7 is a right-front perspective view of the embodiment of FIG. 1.

**1 Claim, 6 Drawing Sheets**



# US D770,016 S

Page 2

---

(56)

## References Cited

2004/0112982 A1 6/2004 Dilley  
2006/0261181 A1 11/2006 Wirz

U.S. PATENT DOCUMENTS

D698,889 S \* 2/2014 Zabalo Ondarra ..... D23/202 \* cited by examiner

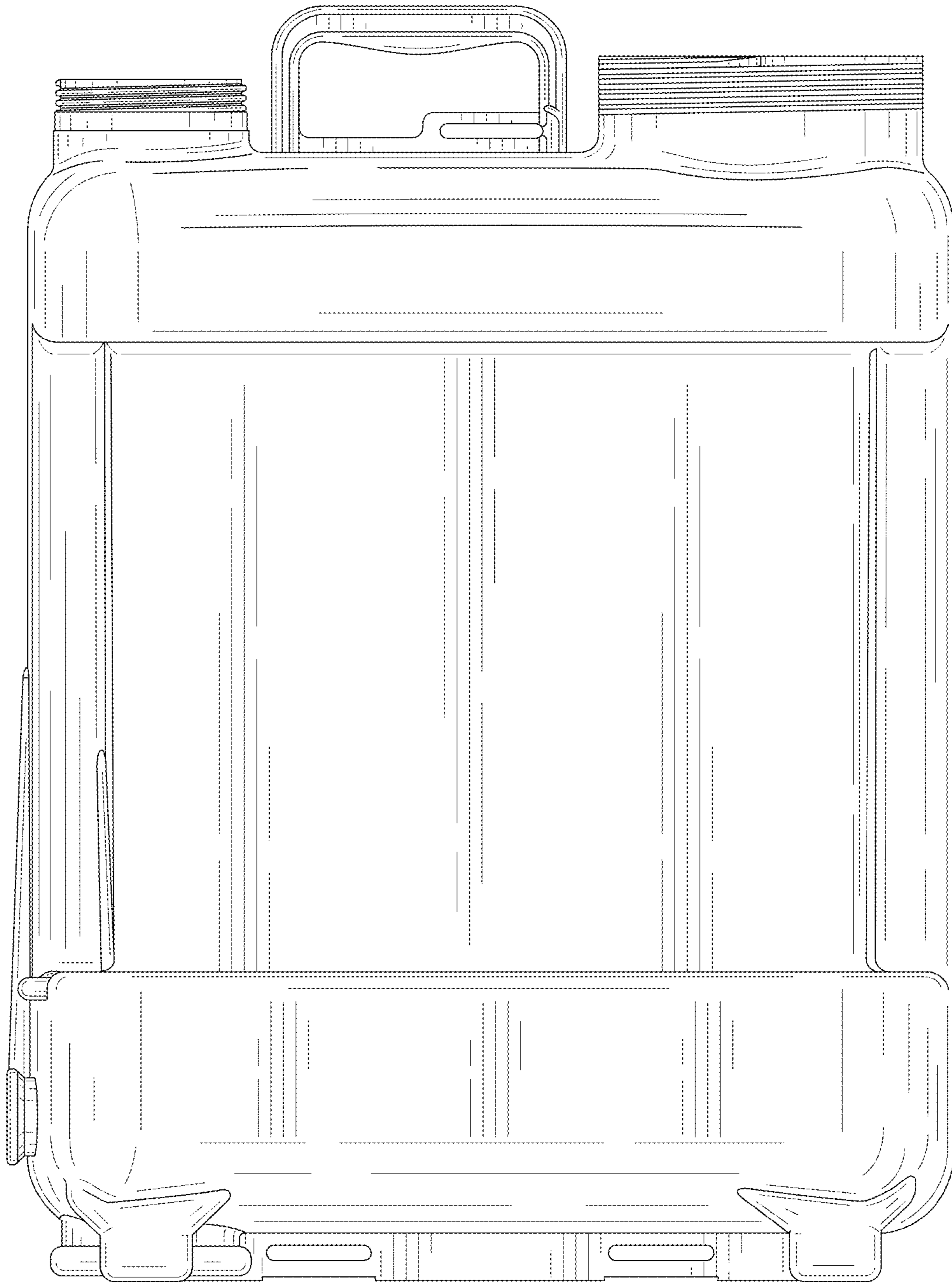
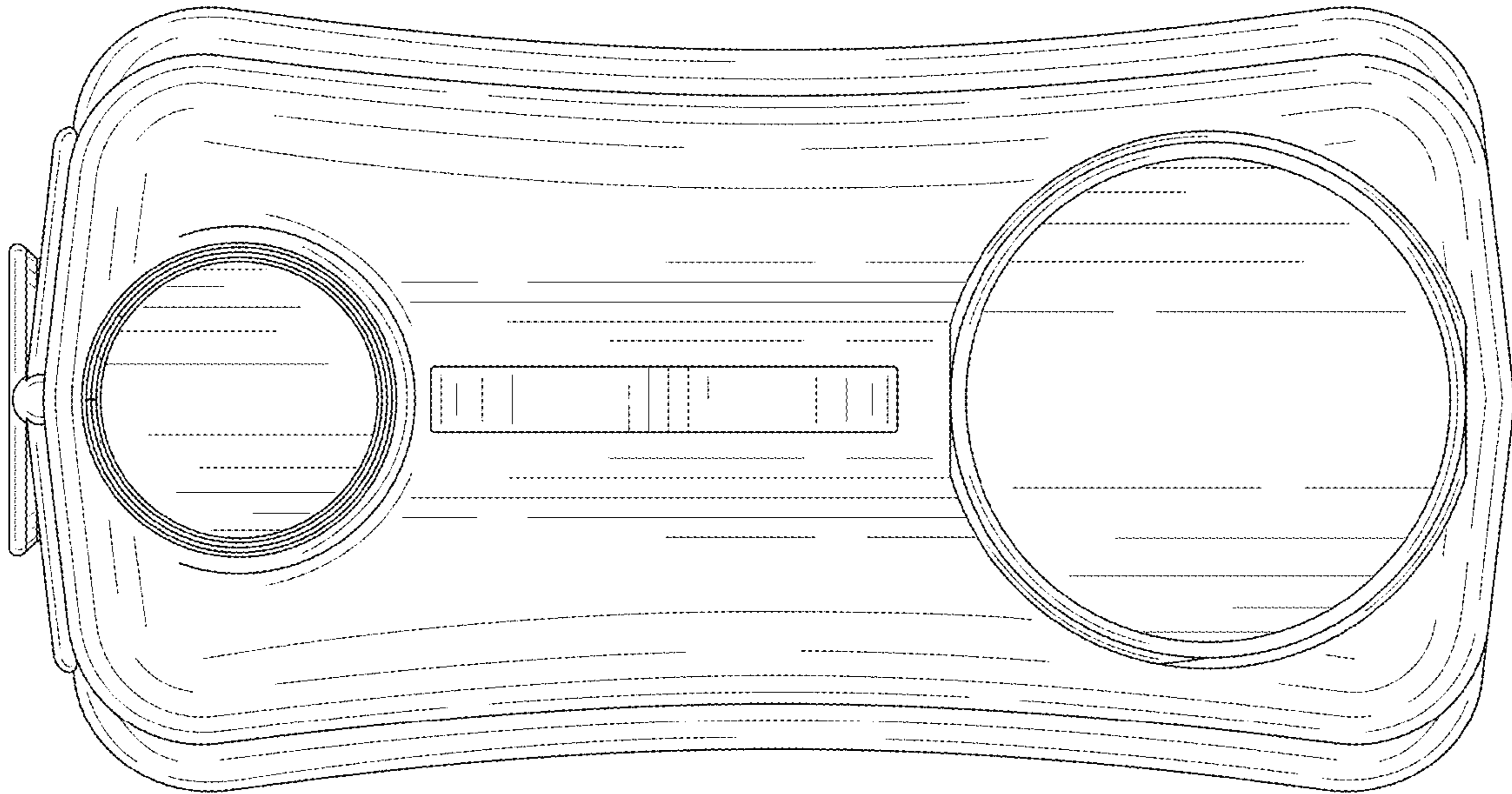
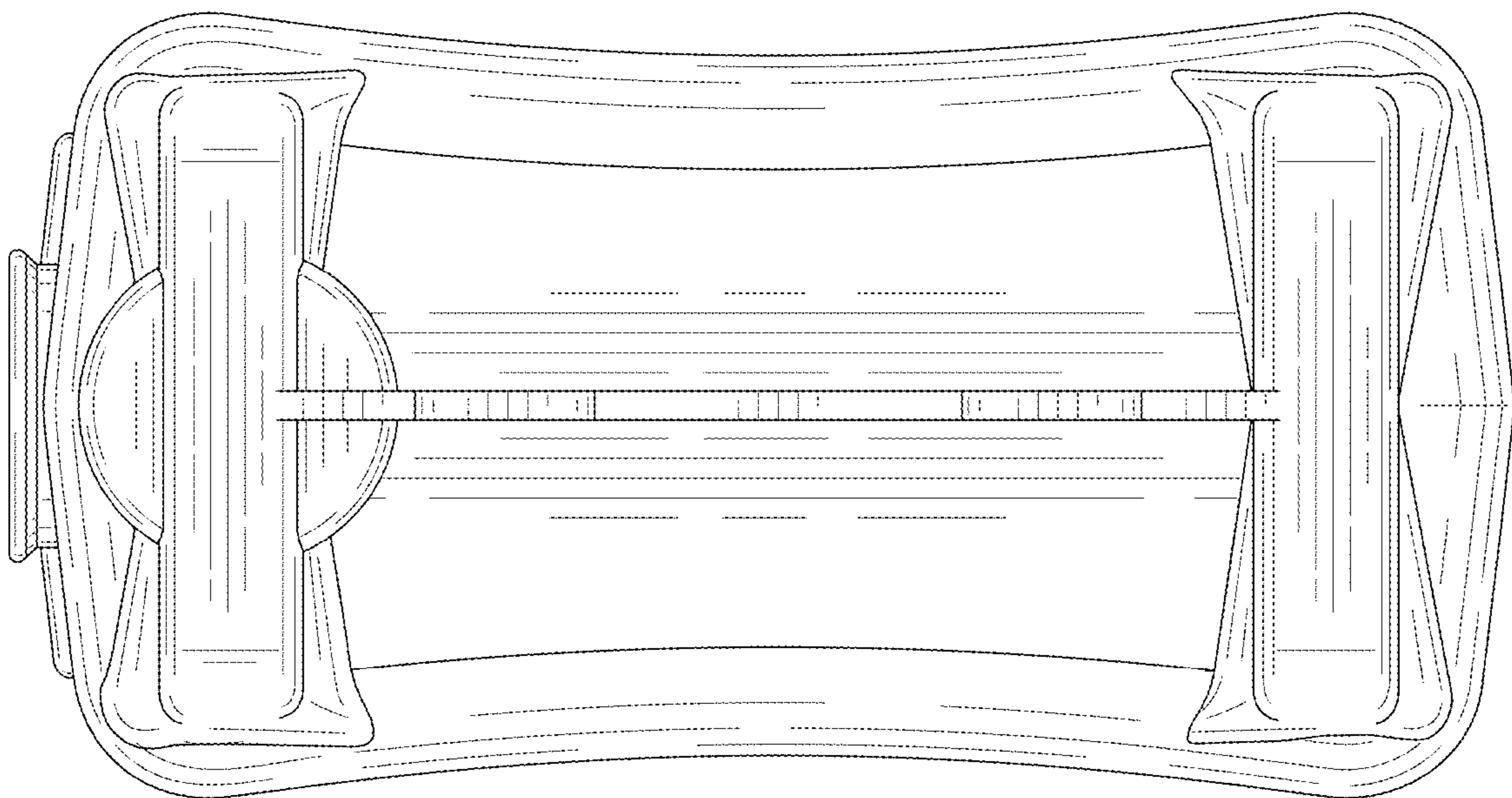


FIG. 1

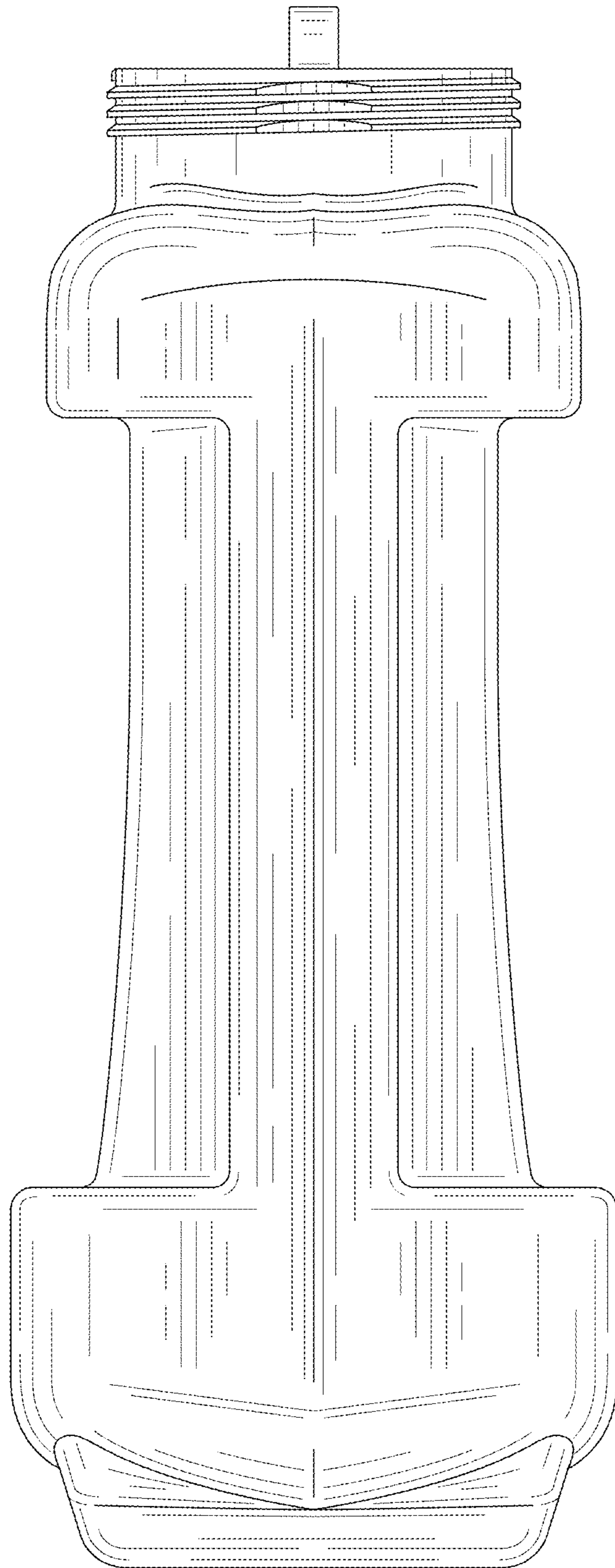


**FIG. 2**

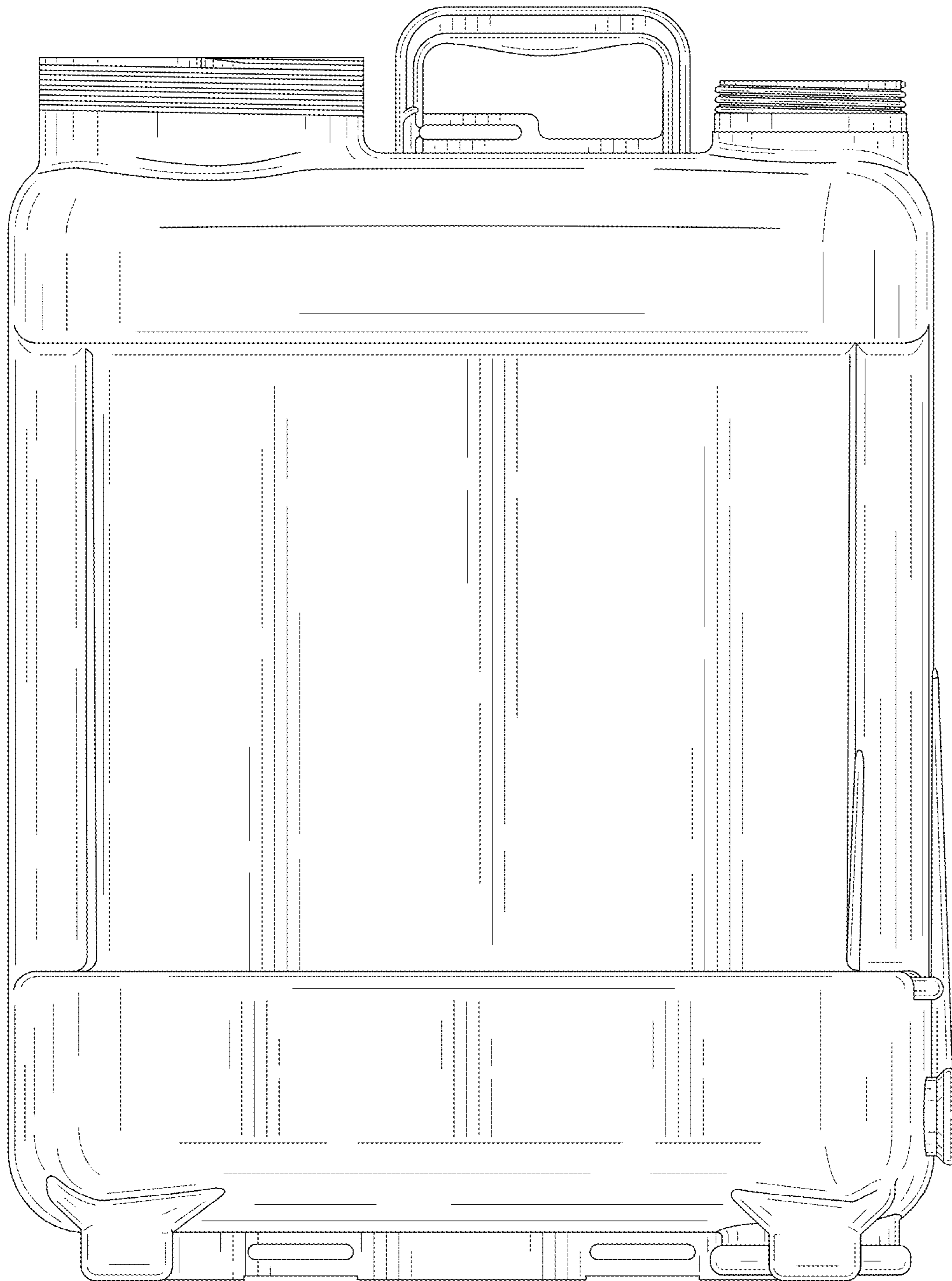


**FIG. 3**

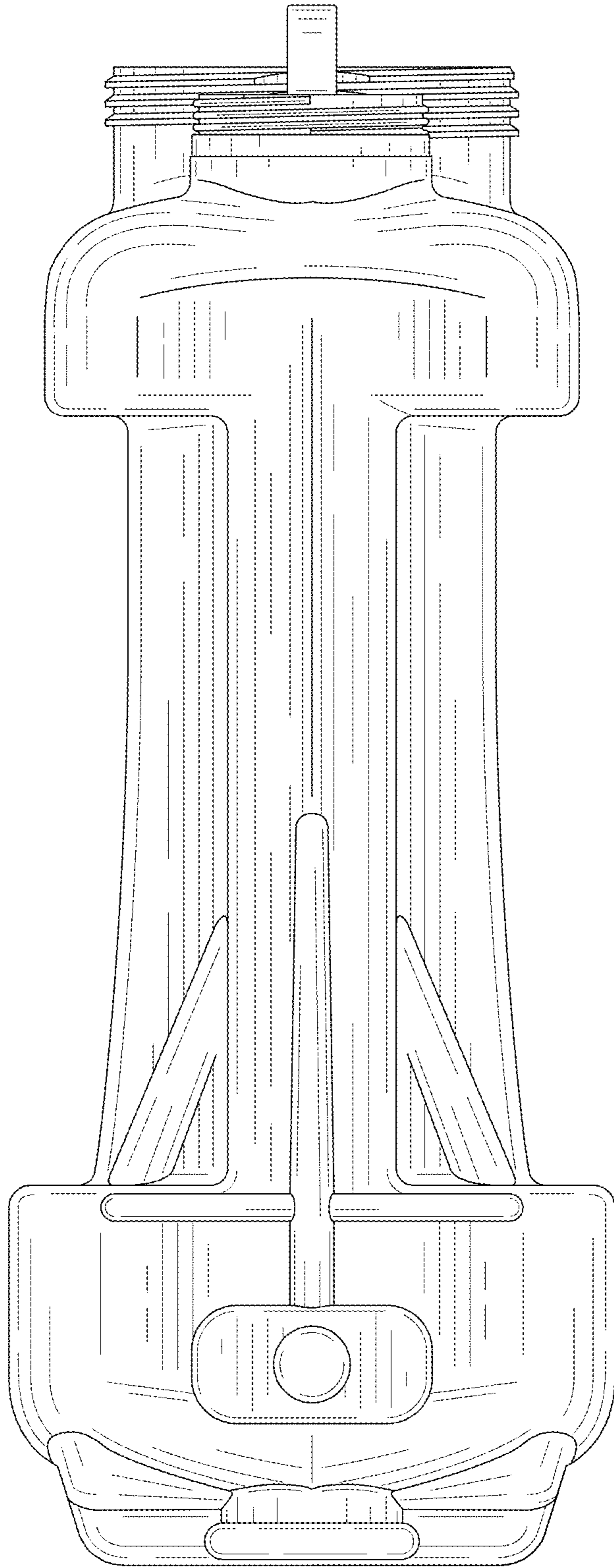




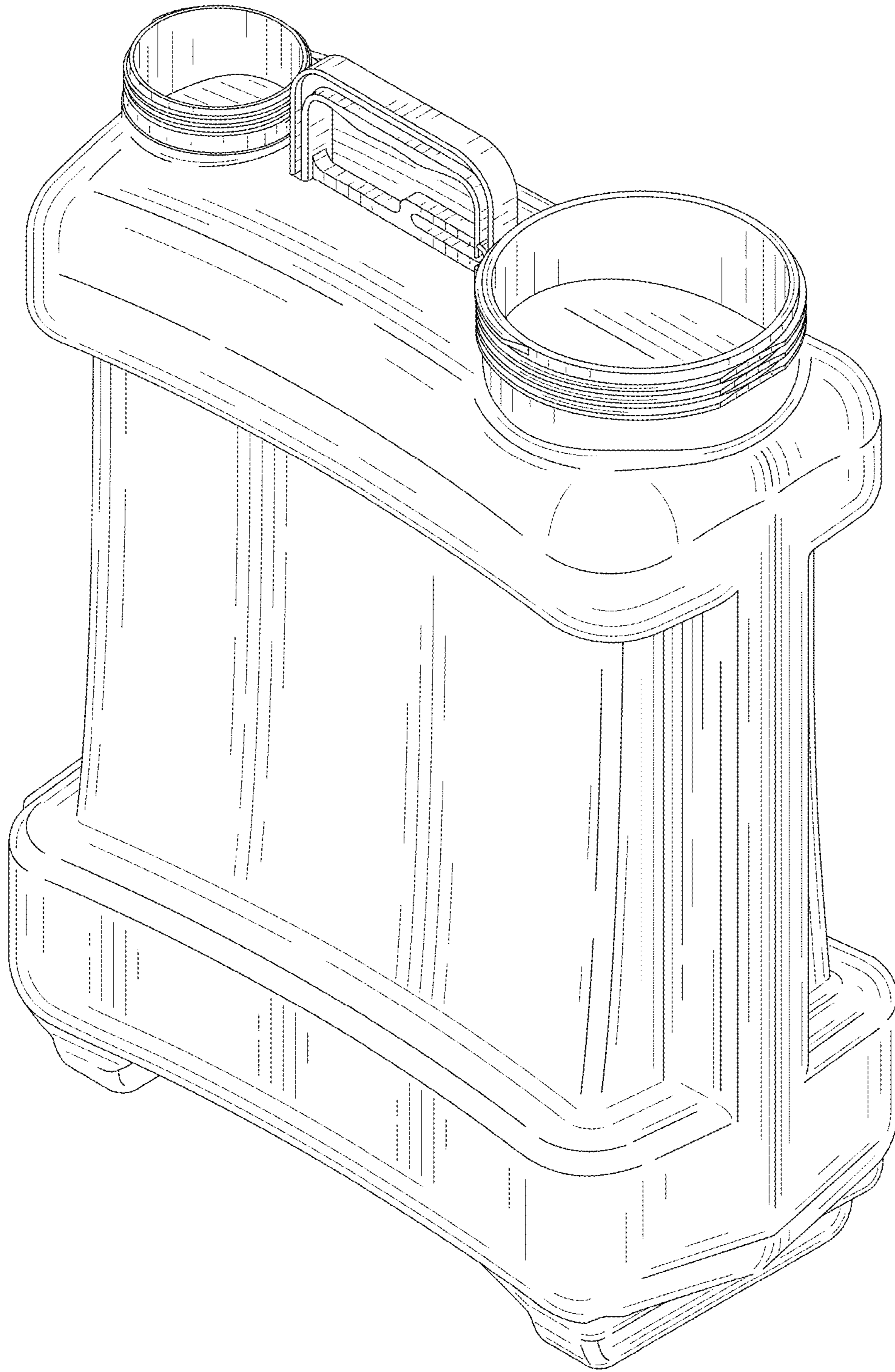
**FIG. 4**



**FIG. 5**



**FIG. 6**



**FIG. 7**