



US00D770015S

(12) **United States Design Patent**
Wright

(10) **Patent No.:** **US D770,015 S**

(45) **Date of Patent:** **** Oct. 25, 2016**

(54) **ELECTROSTATIC SPRAYER DEVICE**

(71) Applicant: **Victory Innovations Company**, Poway,
CA (US)

(72) Inventor: **Clifford Wright**, Poway, CA (US)

(73) Assignee: **Victory Innovations Company**, San
Diego, CA (US)

(**) Term: **15 Years**

(21) Appl. No.: **29/533,523**

(22) Filed: **Jul. 17, 2015**

(51) **LOC (10) Cl.** **23-01**

(52) **U.S. Cl.**
USPC **D23/223**

(58) **Field of Classification Search**
USPC D23/213, 223, 226; 239/690, 690.1,
239/691, 526
CPC B05B 5/03; B05B 5/032; B05B 5/04;
B05B 5/043; B05B 5/1691; B05B 9/01
See application file for complete search history.

(56) **References Cited**

U.S. PATENT DOCUMENTS

- 3,630,441 A * 12/1971 Felici B05B 5/04
239/692
- 3,740,612 A * 6/1973 Gauthier B05B 5/032
239/706
- 7,114,670 B2 * 10/2006 Robidoux B05B 5/1691
118/308

7,152,817 B2 * 12/2006 Wilson B05B 5/1691
239/690

D608,856 S * 1/2010 Dammkoehler D23/223

8,496,194 B2 * 7/2013 Baltz B05B 5/03
239/289

D757,214 S * 5/2016 Richter D23/213

* cited by examiner

Primary Examiner — Robin V Webster

(74) *Attorney, Agent, or Firm* — Fred C. Hernandez;
Mintz Levin Cohn Ferris Glovsky and Popeo, P.C.

(57) **CLAIM**

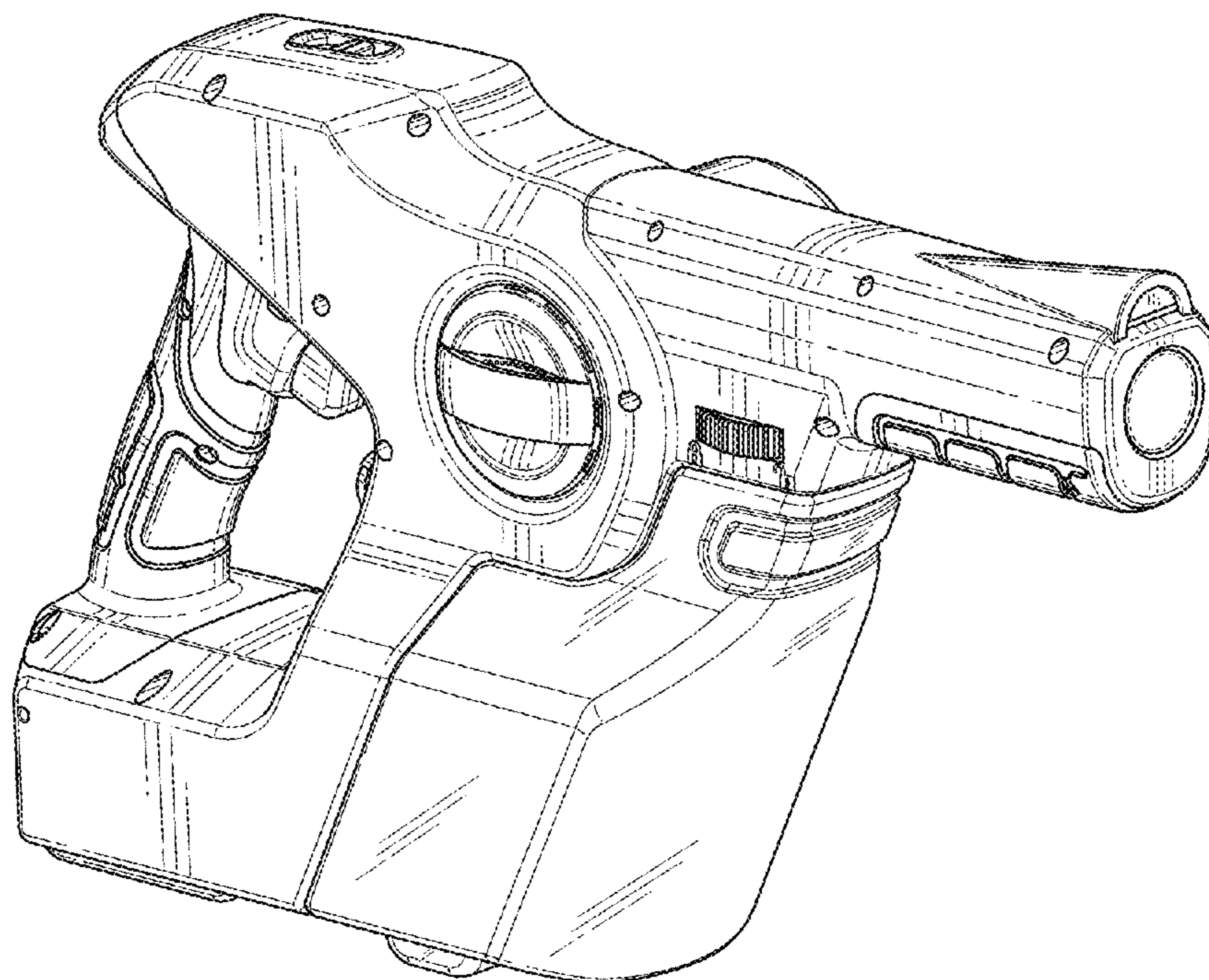
The ornamental design for an electrostatic sprayer device, as shown and described.

DESCRIPTION

FIG. 1 shows a front, perspective view of an electrostatic sprayer device, showing my new design;
 FIG. 2 shows a front, elevational view of the electrostatic sprayer device shown in FIG. 1;
 FIG. 3 shows a rear, elevational view of the electrostatic sprayer device shown in FIG. 1;
 FIG. 4 shows a left, side plan view of the electrostatic sprayer device shown in FIG. 1;
 FIG. 5 shows a right, side plan view of the electrostatic sprayer device shown in FIG. 1;
 FIG. 6 shows a top, plan view of the electrostatic sprayer device shown in FIG. 1; and,
 FIG. 7 shows a bottom, plan view of the electrostatic sprayer device shown in FIG. 1.

Any broken line illustration in the drawings is not part of the design sought to be patented.

1 Claim, 7 Drawing Sheets



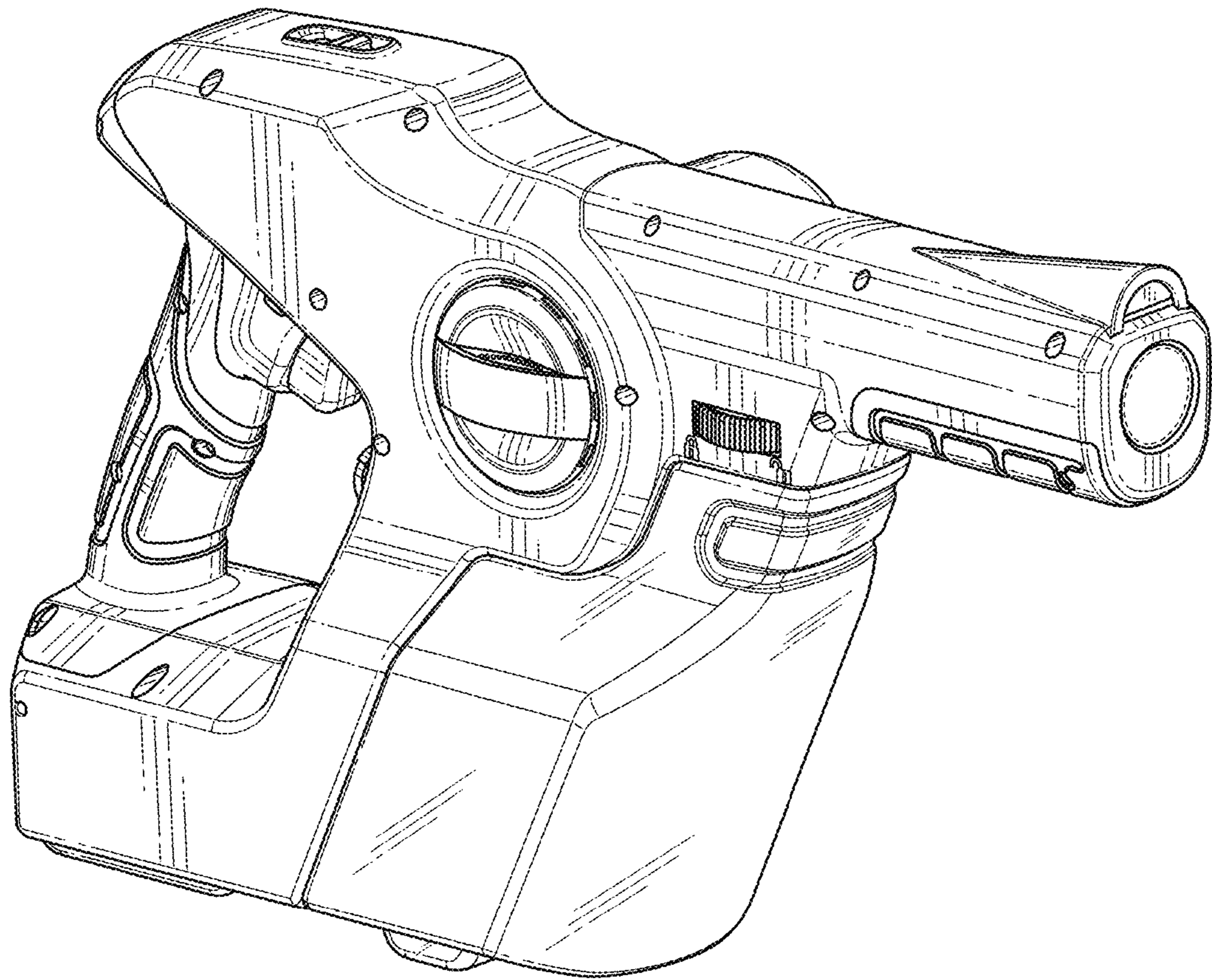


FIG. 1

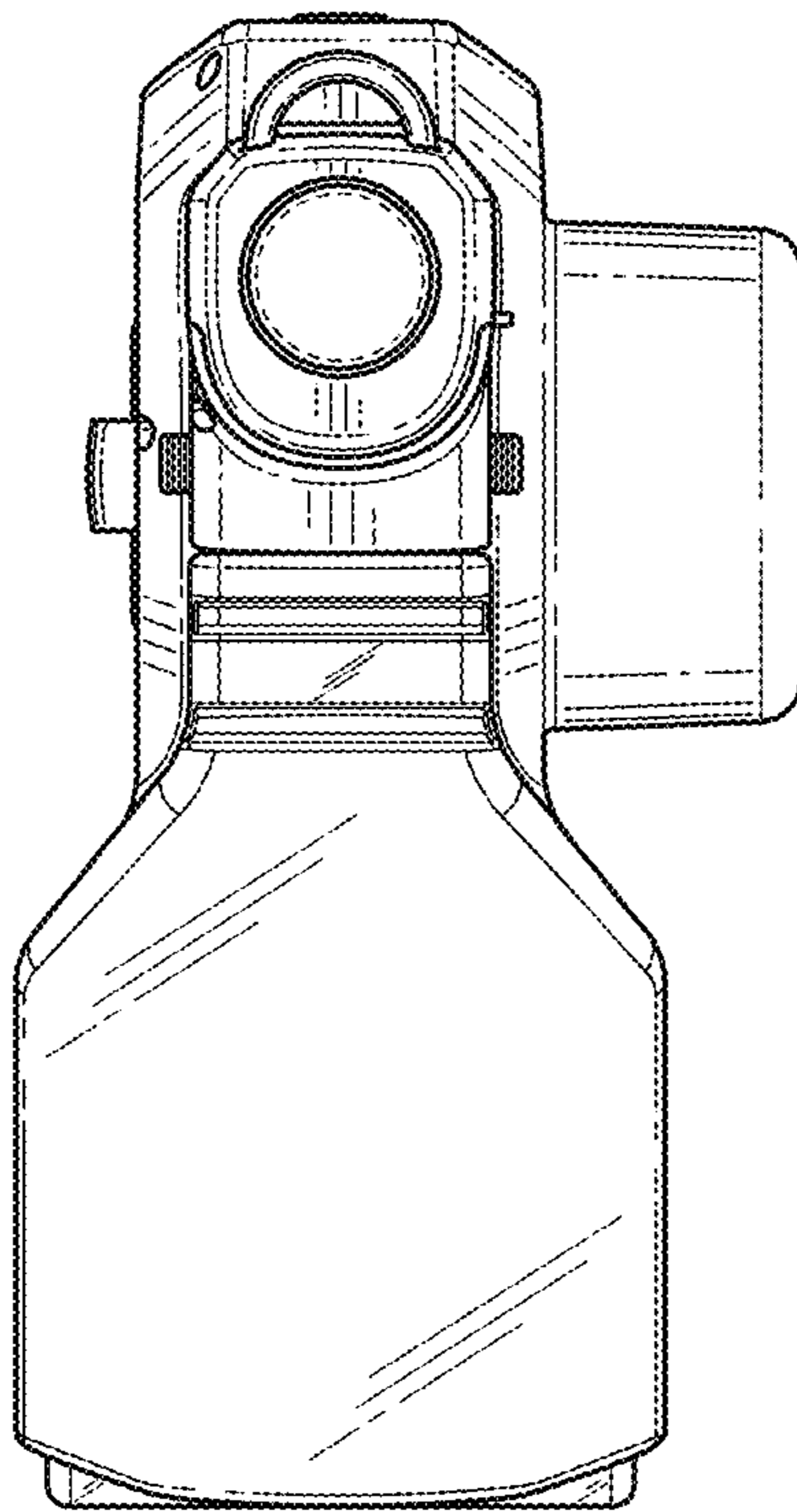


FIG. 2

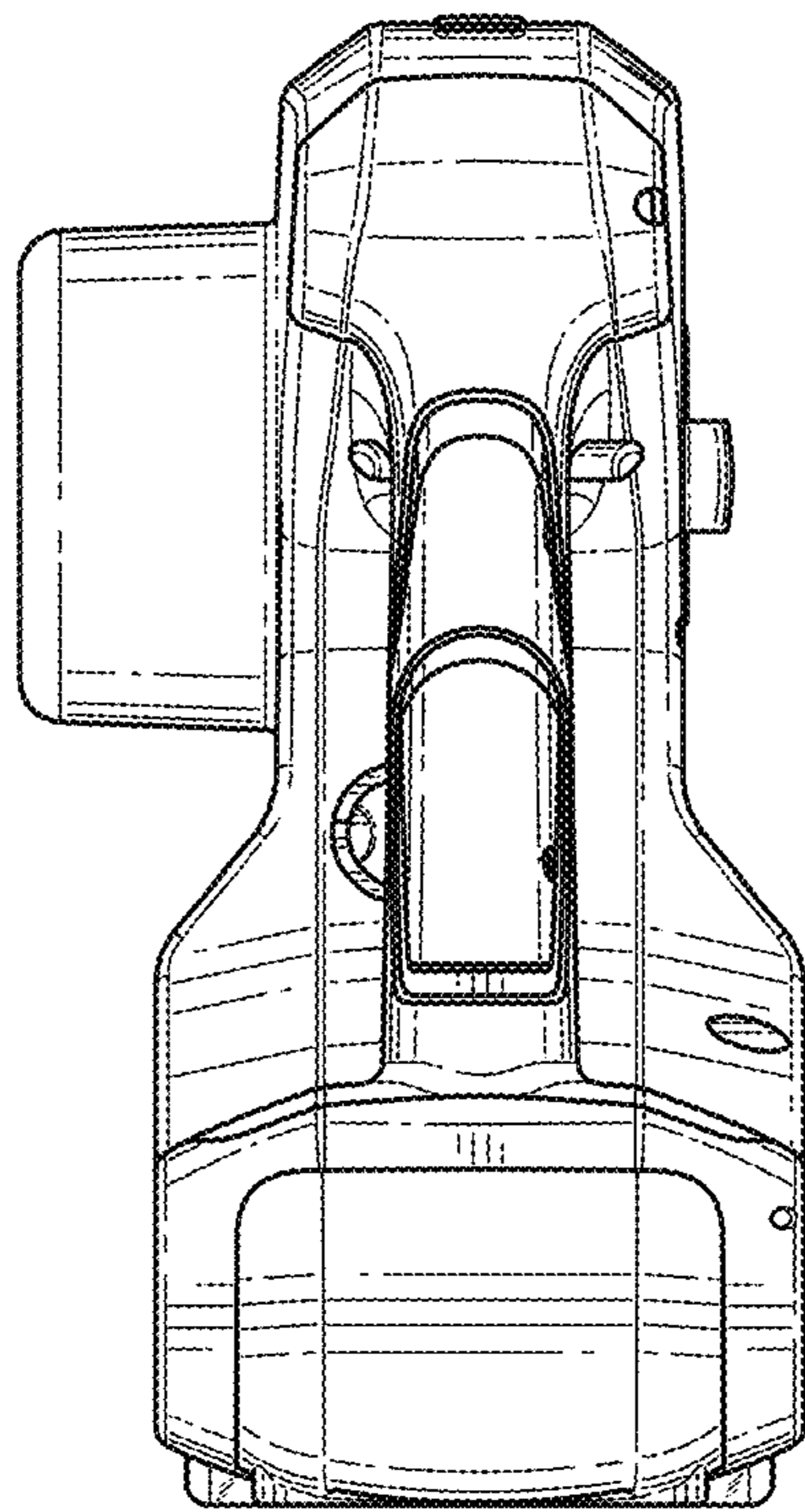


FIG. 3

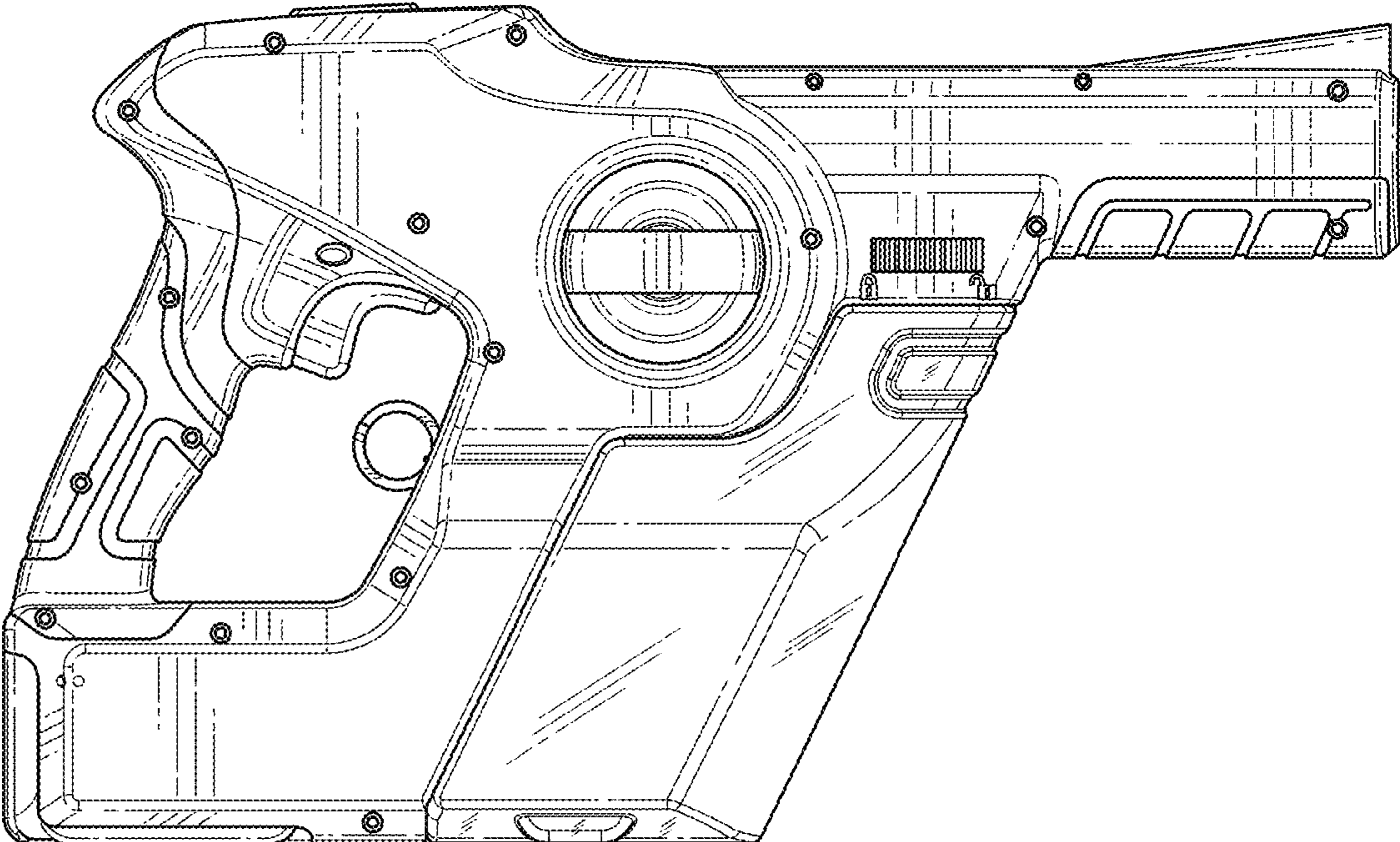


FIG. 4

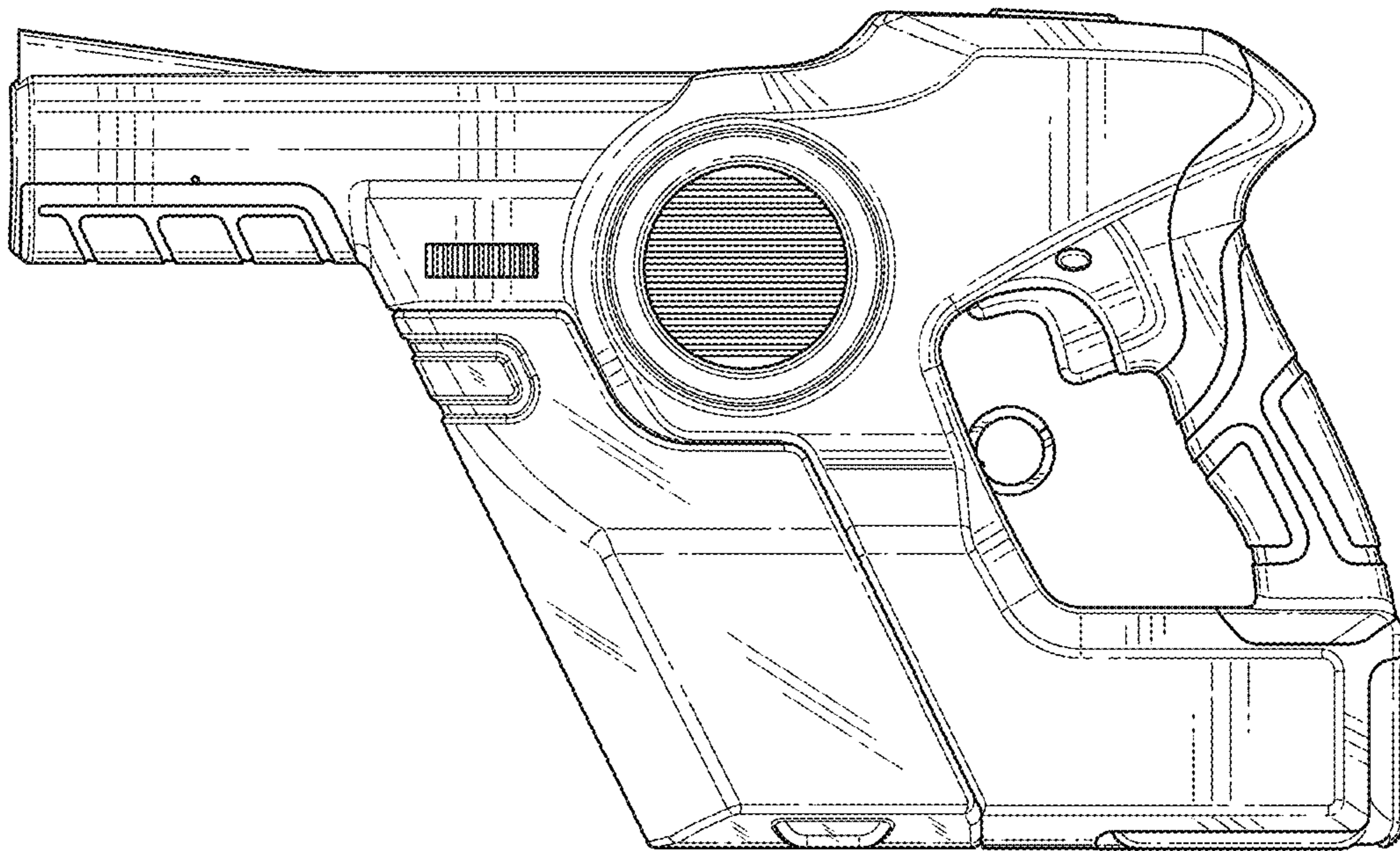


FIG. 5

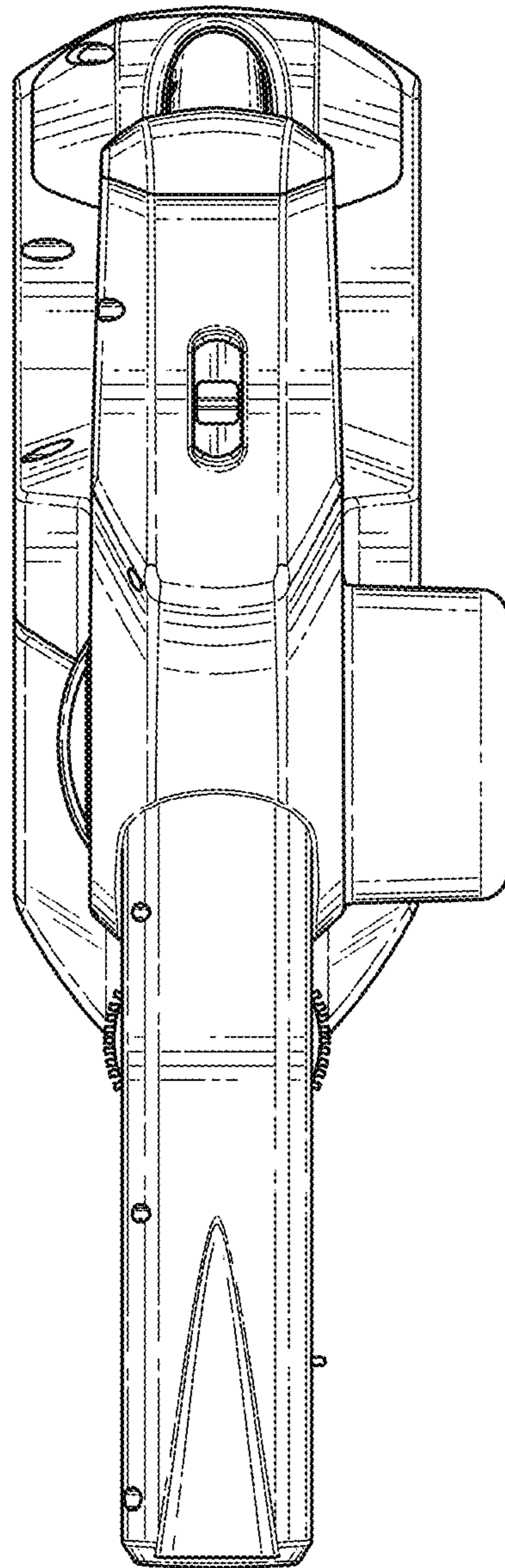


FIG. 6

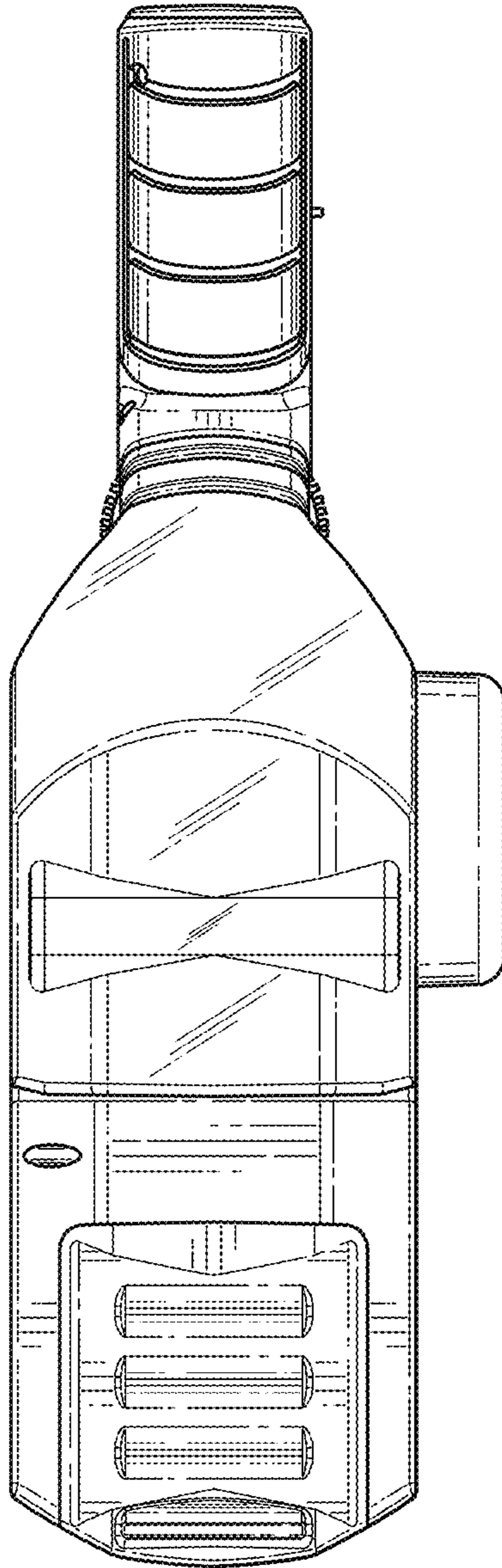


FIG. 7