



US00D770014S

(12) **United States Design Patent** (10) **Patent No.:** **US D770,014 S**
Stowers et al. (45) **Date of Patent:** **** Oct. 25, 2016**

(54) **SPRINKLER**

(56) **References Cited**

(71) Applicant: **E. Mishan & Sons, Inc.**, New York, NY (US)

U.S. PATENT DOCUMENTS

(72) Inventors: **David Stowers**, Morristown, NJ (US);
Isaac Mishan, New York, NY (US)

1,780,233 A *	11/1930	Jenkins	B05B 1/02 239/273
D559,351 S *	1/2008	Lo	D23/221
D615,611 S *	5/2010	Cheng	D23/214
D620,551 S *	7/2010	Mayher	D23/221
D702,812 S *	4/2014	Morgan	D23/221

(73) Assignee: **E. Mishan & Sons, Inc.**, New York, NY (US)

* cited by examiner

(**) Term: **15 Years**

Primary Examiner — Robin V Webster

(21) Appl. No.: **29/556,516**

(74) *Attorney, Agent, or Firm* — Notaro, Michalos & Zaccaria P.C.

(22) Filed: **Mar. 1, 2016**

(57) **CLAIM**

The ornamental design for a sprinkler, as shown and described.

Related U.S. Application Data

DESCRIPTION

(62) Division of application No. 29/520,137, filed on Mar. 11, 2015, now Pat. No. Des. 754,284.

FIG. 1 is a front, right perspective view of a sprinkler showing my/our design therefor;

(51) **LOC (10) Cl.** **23-01**

FIG. 2 is a bottom, rear, left perspective view thereof;

(52) **U.S. Cl.**
USPC **D23/221**

FIG. 3 is a right side elevational view thereof;

(58) **Field of Classification Search**
USPC D23/213, 214, 216, 217, 221; 239/200,
239/273, 276, 240-242
CPC B05B 15/062; B05B 12/12; B05B 3/044;
B05B 15/063

FIG. 4 is a left side elevational view thereof;

FIG. 5 is a rear elevational view thereof;

FIG. 6 is a front elevational view thereof;

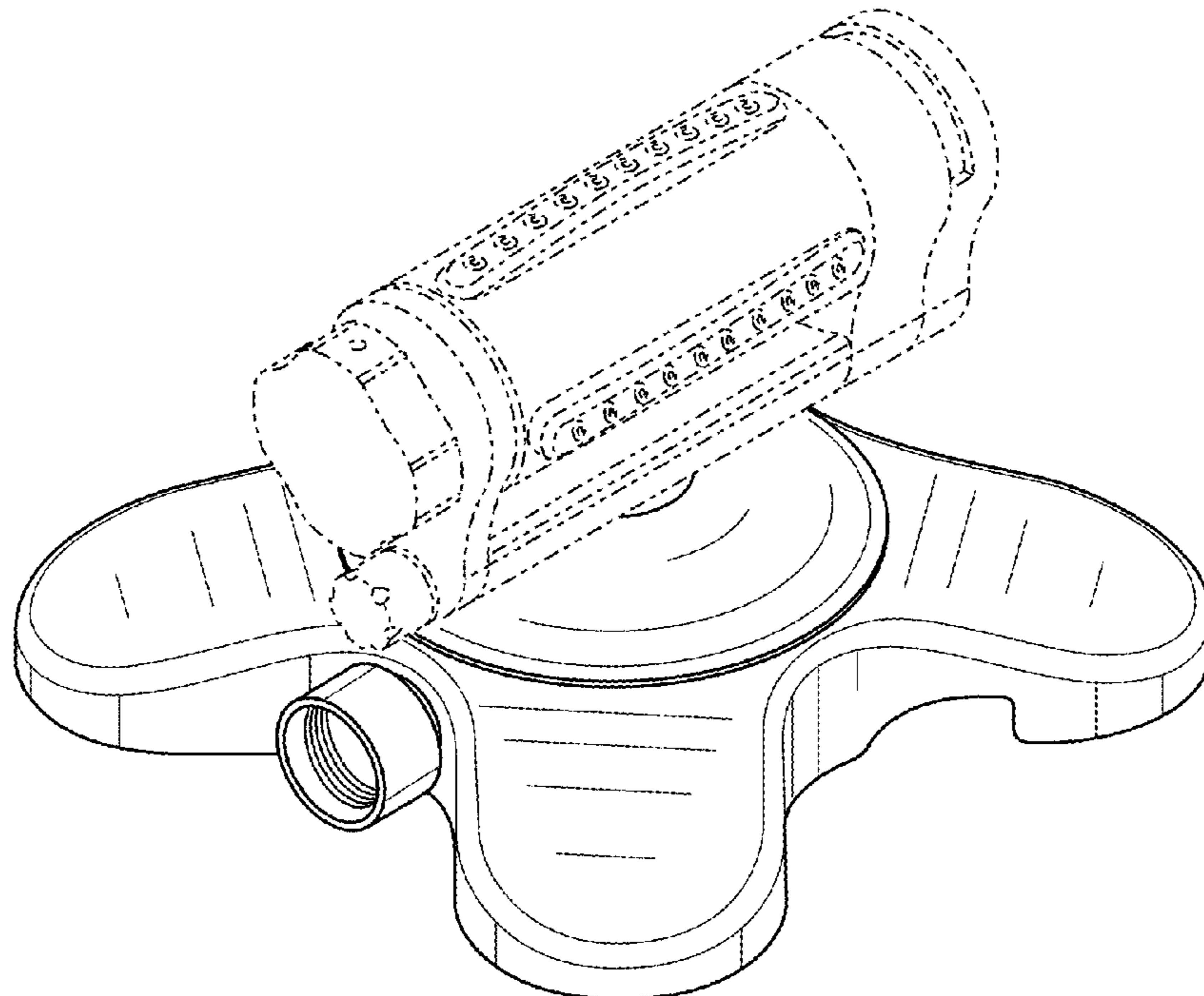
FIG. 7 is a top plan view thereof; and,

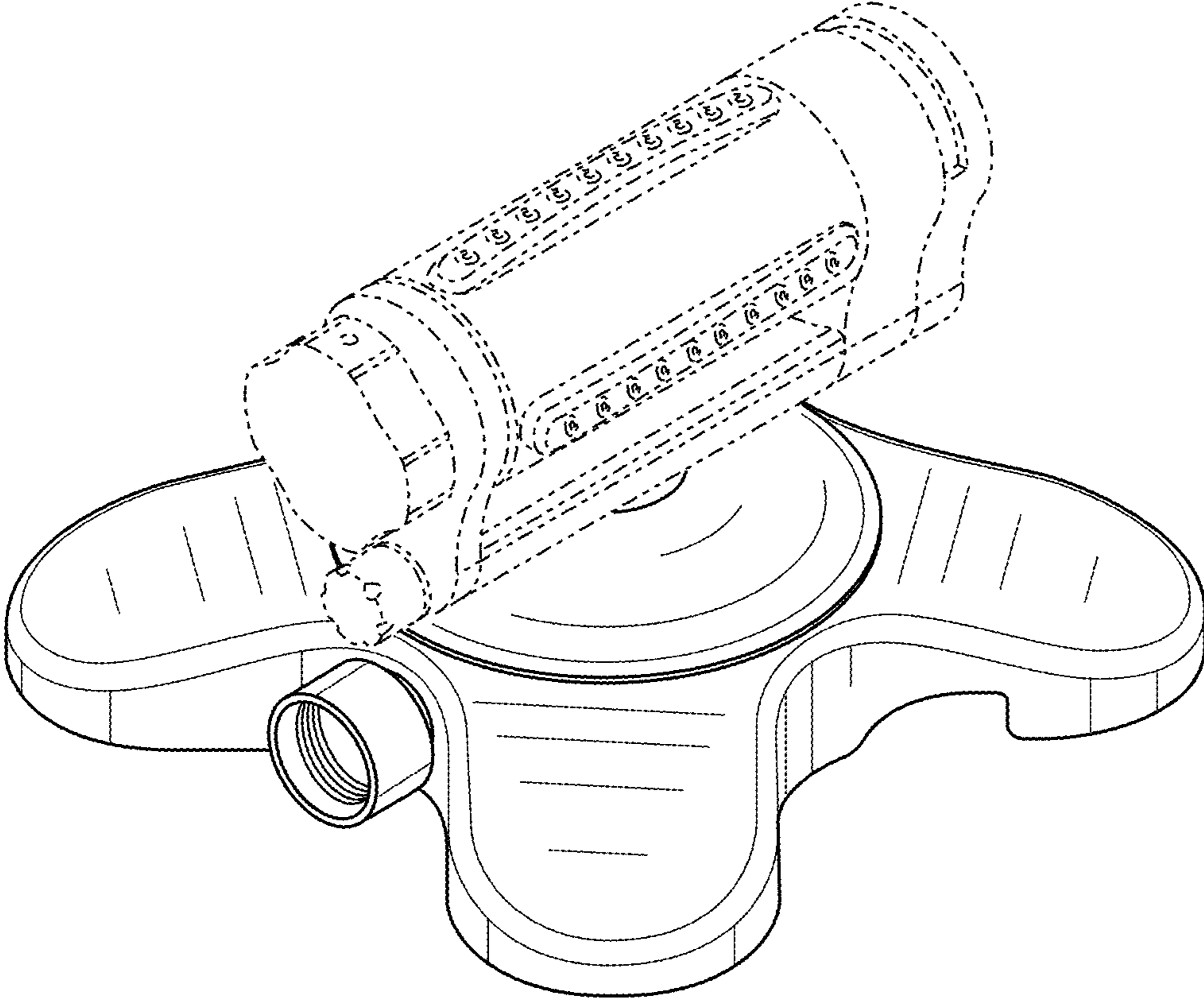
FIG. 8 bottom plan view thereof.

Throughout the drawings, the areas shown in broken lines form no part of the claimed design.

See application file for complete search history.

1 Claim, 8 Drawing Sheets





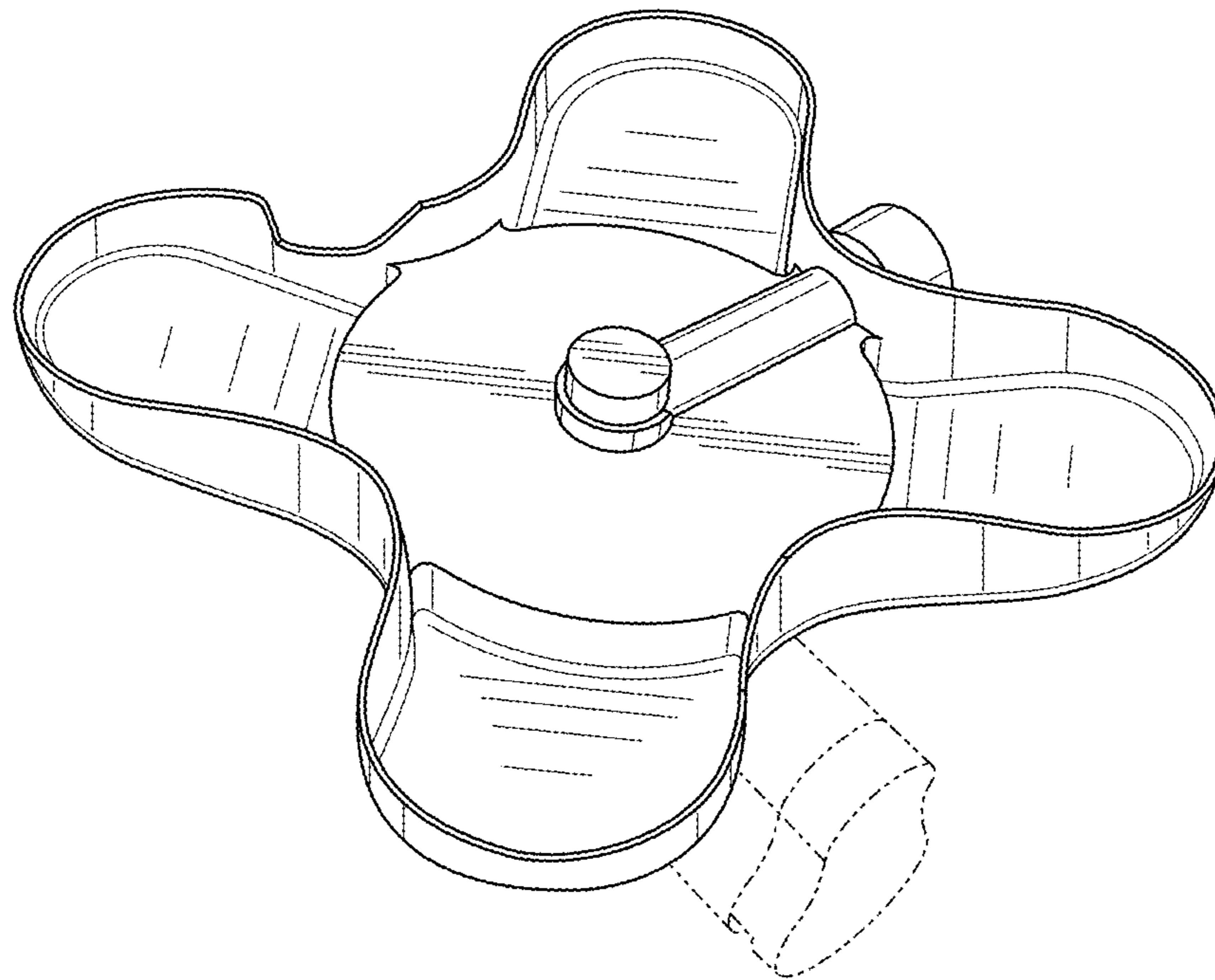


FIG. 2

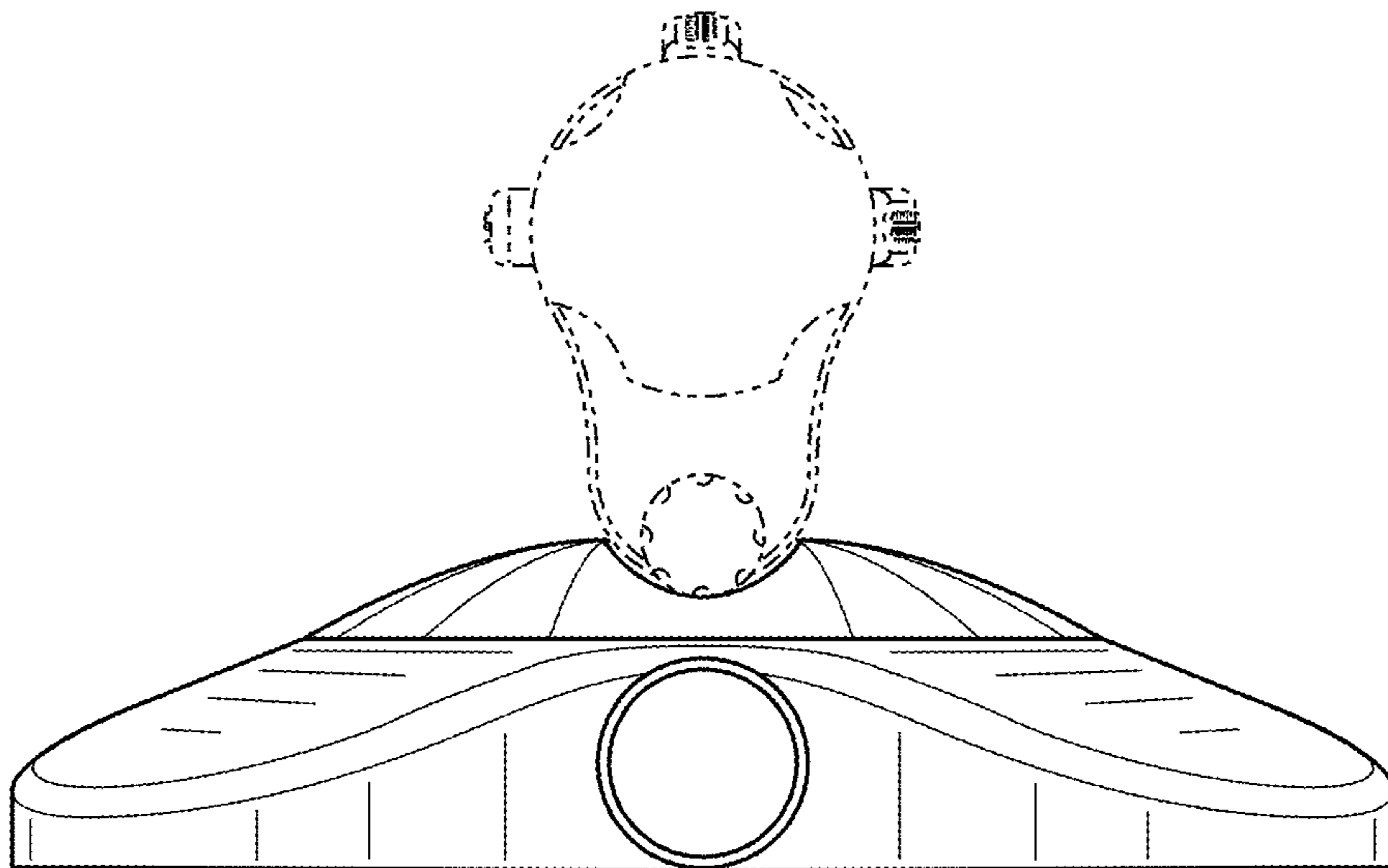


FIG. 3

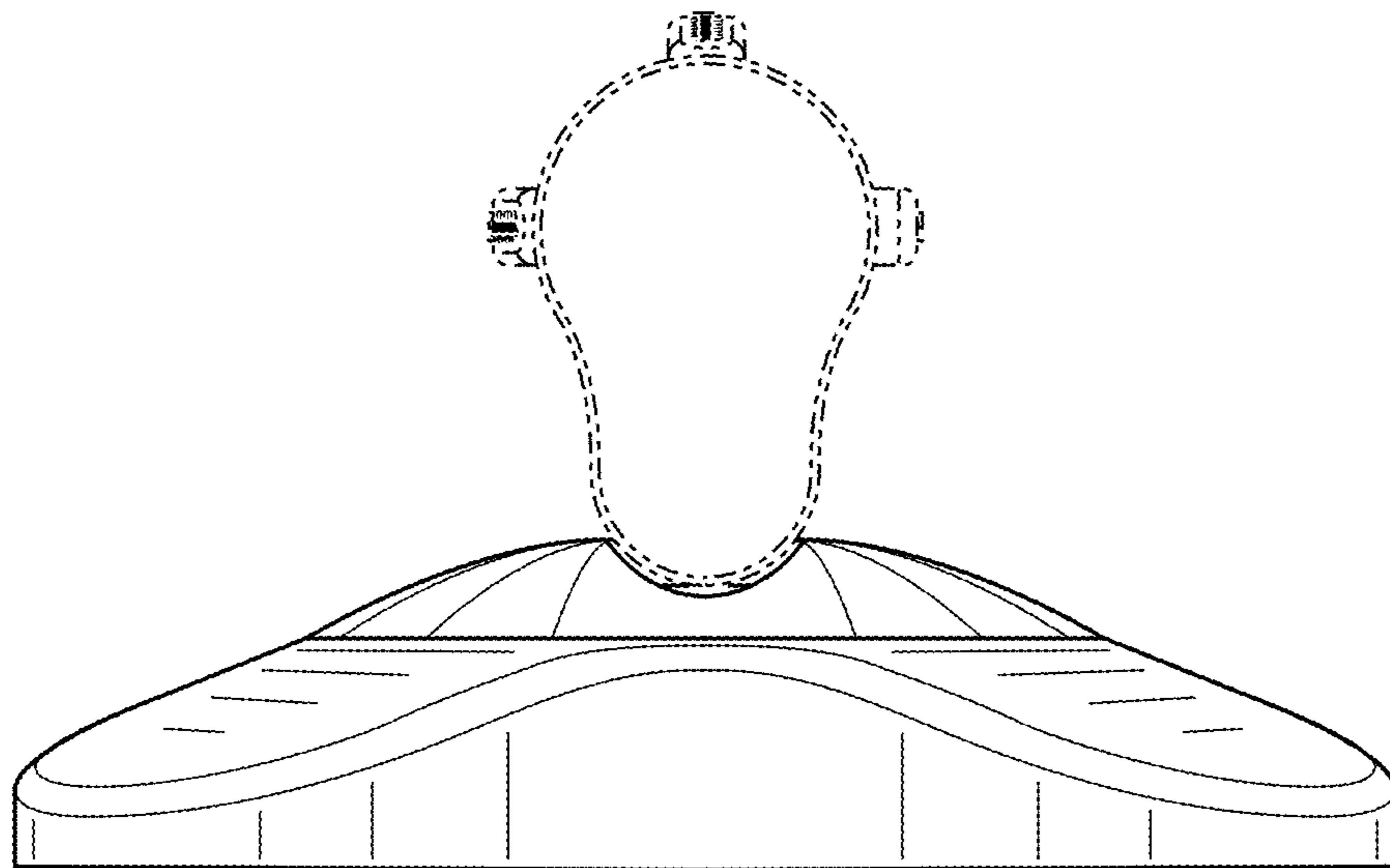


FIG. 4

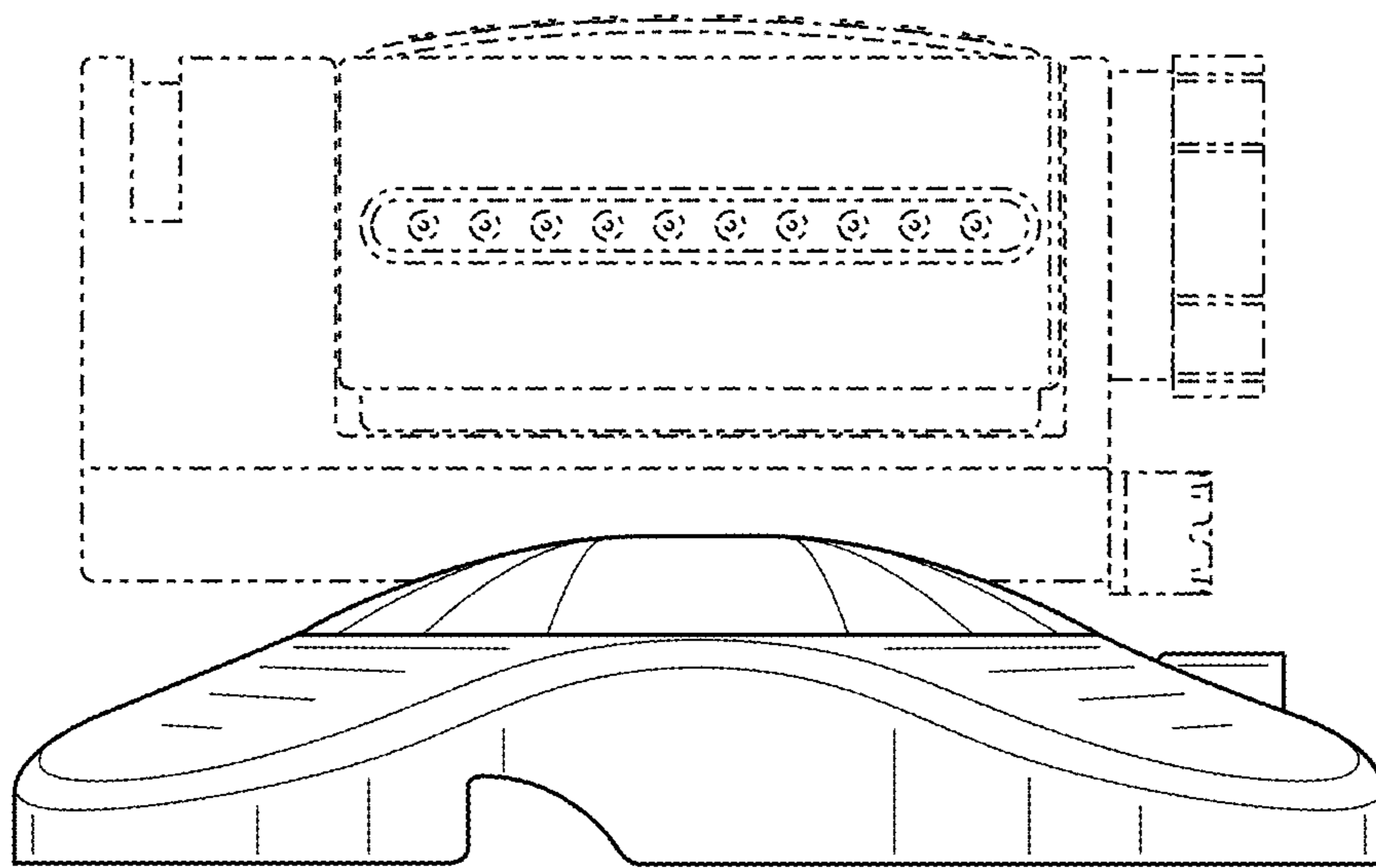


FIG. 5

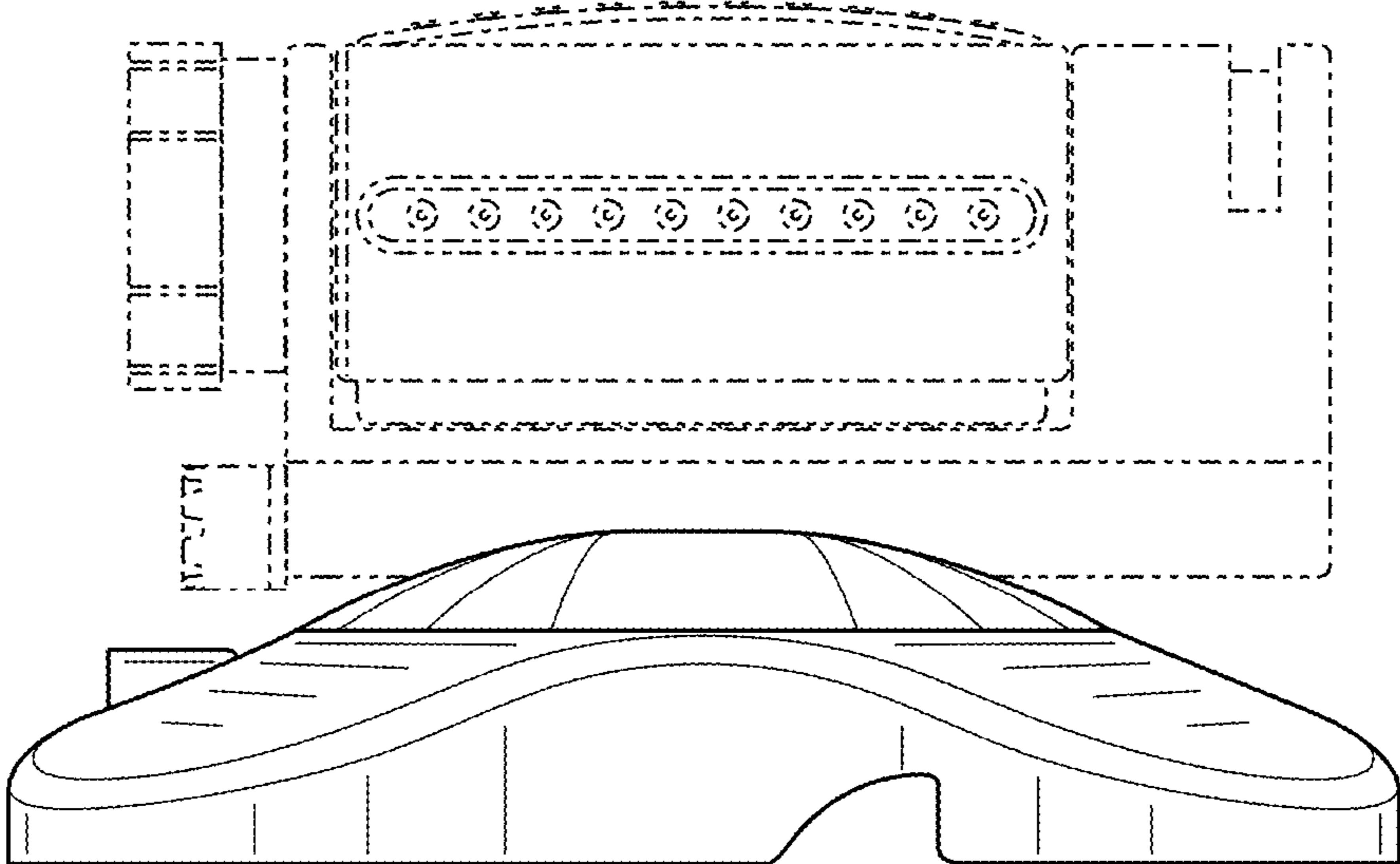


FIG. 6

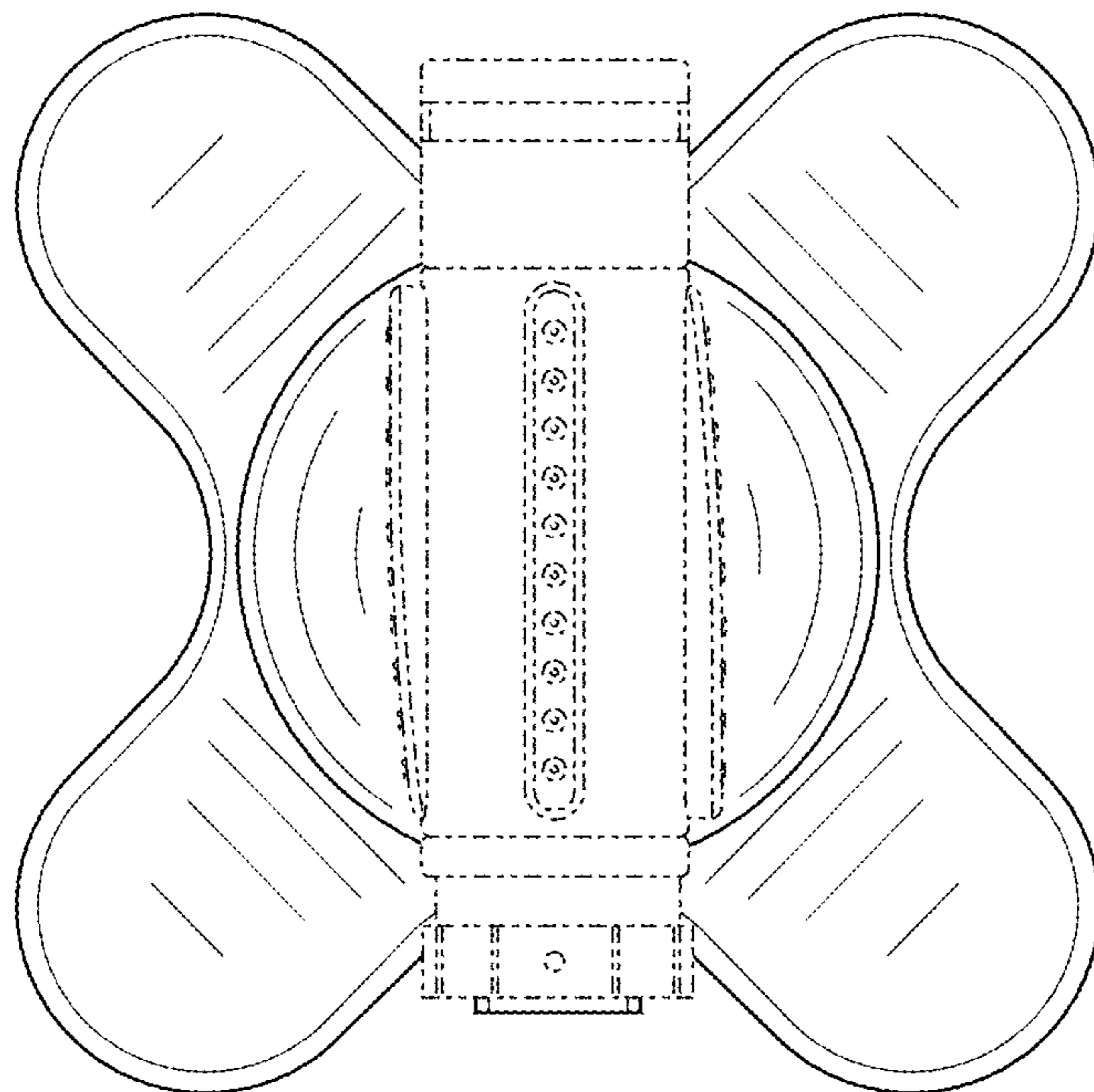


FIG. 7

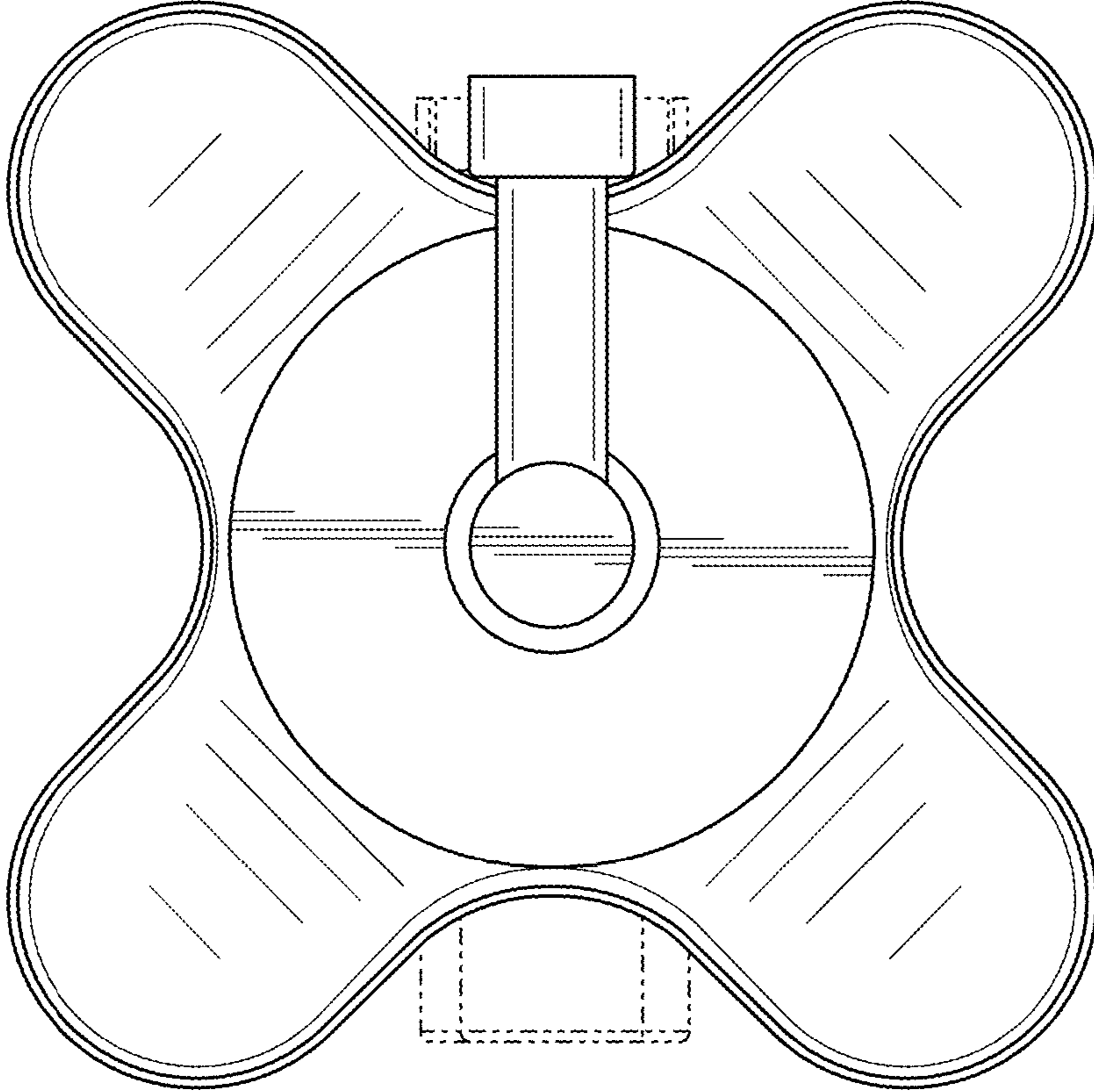


FIG. 8