



US00D770013S

(12) **United States Design Patent**
Holmes

(10) **Patent No.:** **US D770,013 S**
(45) **Date of Patent:** **** Oct. 25, 2016**

(54) **HEX SPRAY CONE**
(71) Applicant: **Katco Holdings Pty Ltd**, Valentine,
New South Wales (AU)
(72) Inventor: **Tony Holmes**, Wangi Wangi (AU)
(73) Assignee: **Katco Holdings Pty Ltd** (AU)
(**) Term: **15 Years**

6,920,937 B2 * 7/2005 Neill A62C 31/005
169/37
D516,669 S * 3/2006 Antonucci D23/214
D567,329 S * 4/2008 Holmes D23/214
8,662,190 B2 * 3/2014 Watson A62C 31/02
169/37
8,783,373 B2 * 7/2014 Pahila A62C 31/02
169/37
8,869,906 B2 * 10/2014 Thompson A62C 37/09
169/37
D748,224 S * 1/2016 Holmes D23/214

(21) Appl. No.: **29/536,160**

* cited by examiner

(22) Filed: **Aug. 13, 2015**

Primary Examiner — Robin V Webster

(30) **Foreign Application Priority Data**

(74) *Attorney, Agent, or Firm* — Chernoff Vilhauer
McClung & Stenzel, LLP

May 26, 2015 (AU) 201512694

(51) **LOC (10) Cl.** **23-01**

(52) **U.S. Cl.**
USPC **D23/214**

(58) **Field of Classification Search**
USPC D23/213, 214; 239/288, 288.5; 169/37,
169/41, 52, 24, 58, 5, 57
CPC B05B 15/001; A62C 31/02; A62C 37/10;
E03C 1/06
See application file for complete search history.

(57) **CLAIM**

The ornamental design for a hex spray cone, as shown and described.

(56) **References Cited**

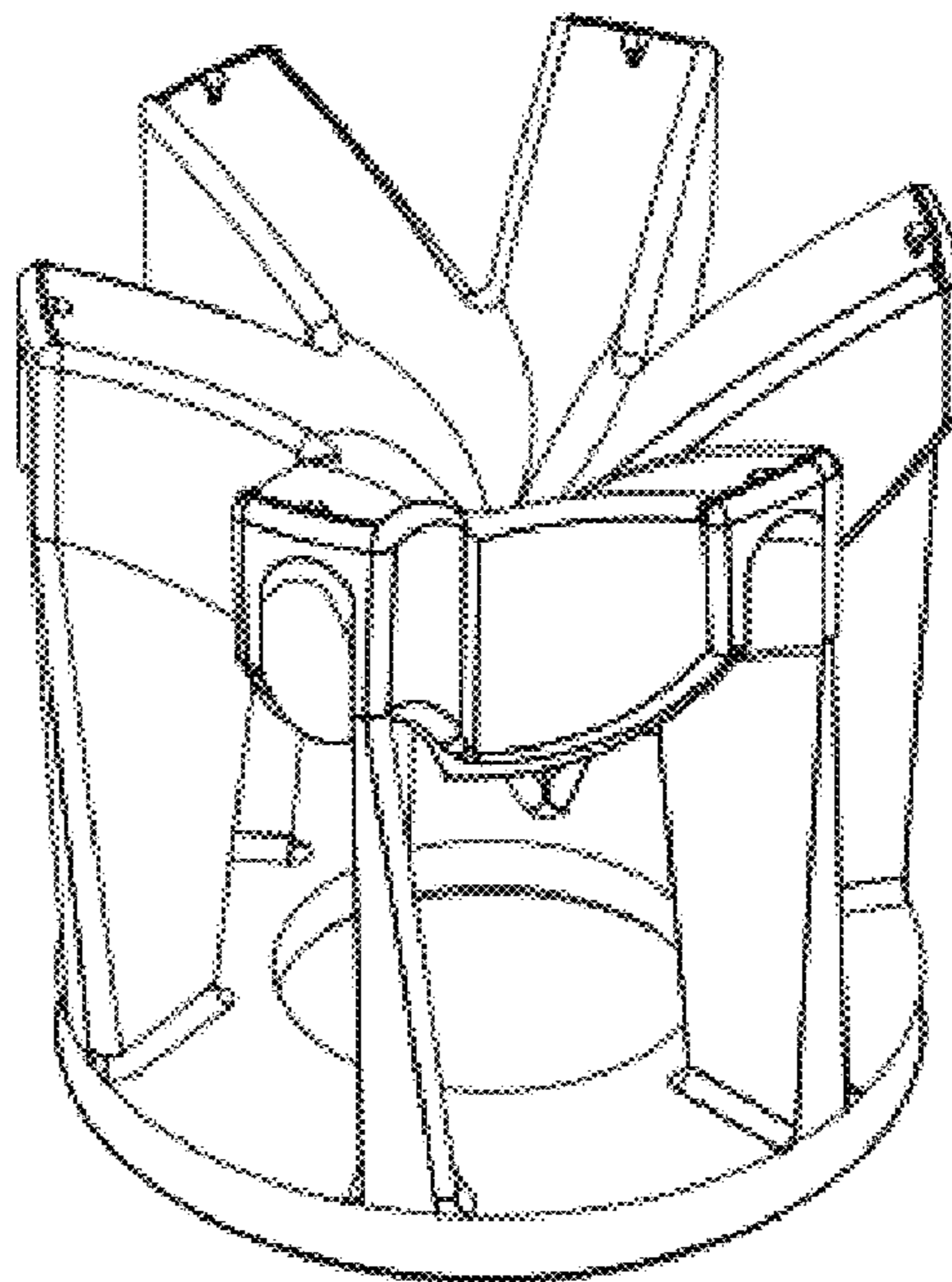
U.S. PATENT DOCUMENTS

D253,364 S * 11/1979 McFadden 239/222.21
D348,719 S * 7/1994 Dolan D23/214

DESCRIPTION

FIG. 1 is a perspective view of the hex spray cone;
FIG. 2 is a front view of the hex spray cone of FIG. 1;
FIG. 3 is a top view of the hex spray cone of FIG. 1;
FIG. 4 is a side view of the hex spray cone of FIG. 1; and,
FIG. 5 is a bottom view of the hex spray cone of FIG. 1.

1 Claim, 5 Drawing Sheets



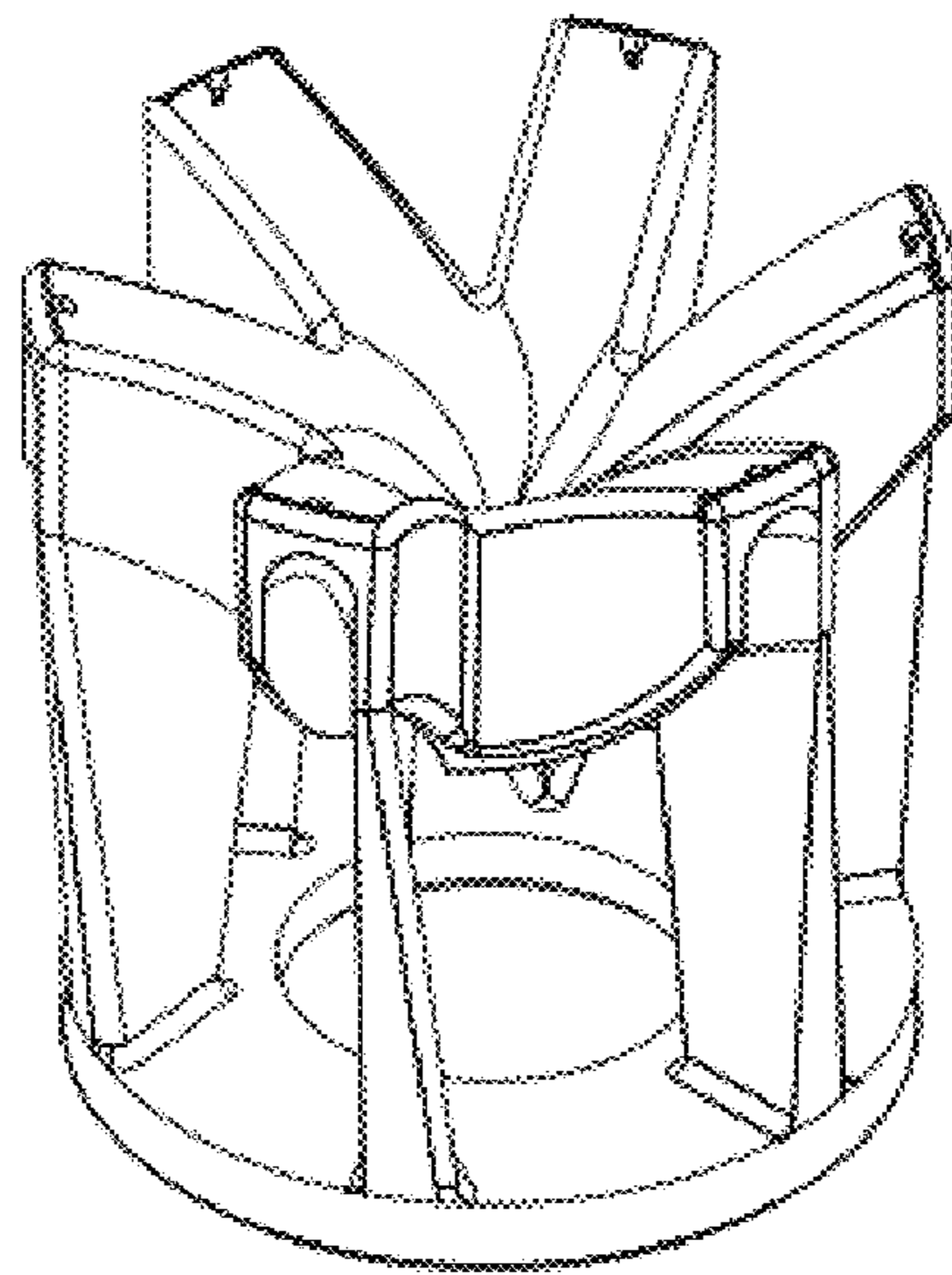


FIG. 1

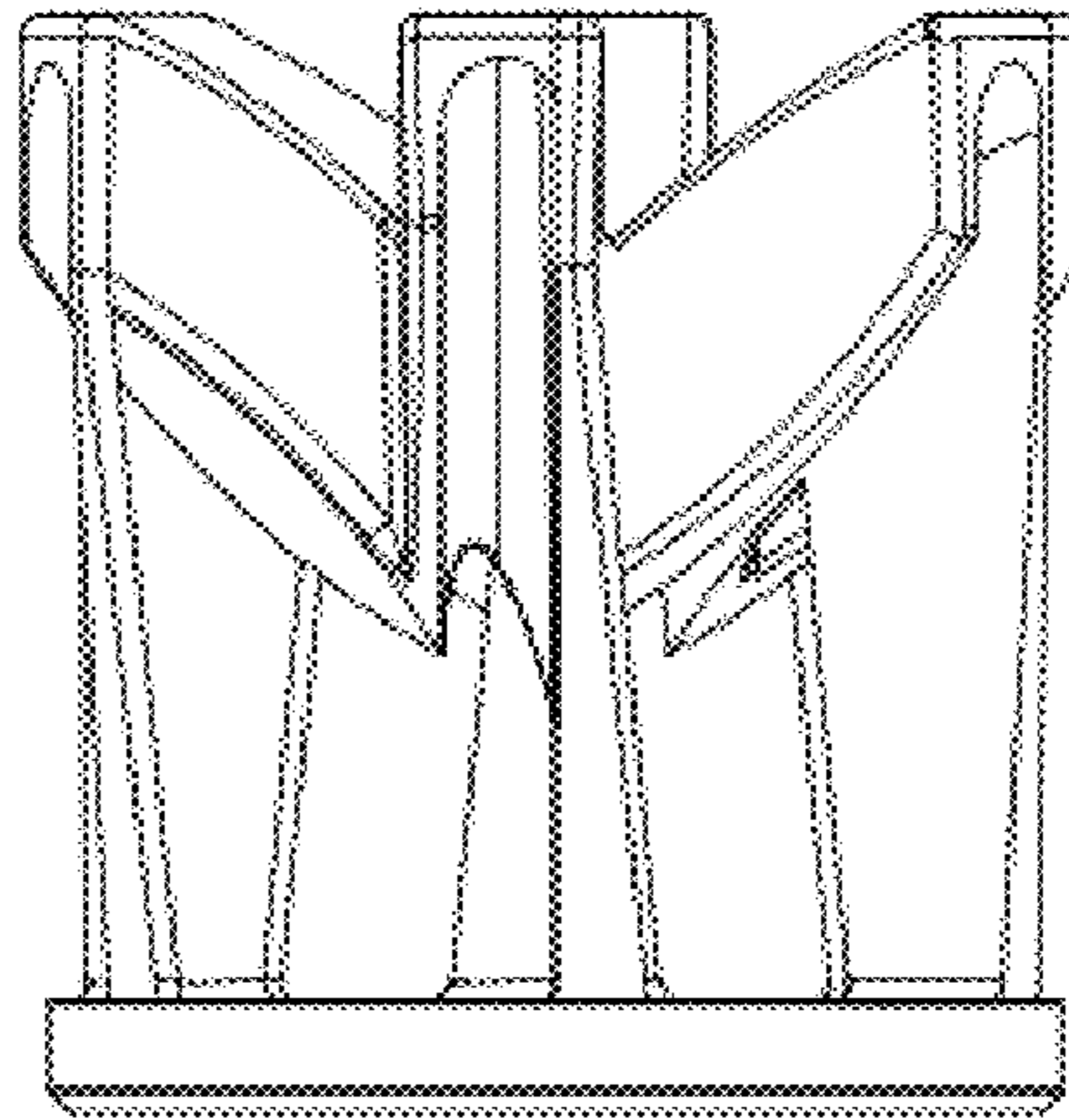


FIG. 2

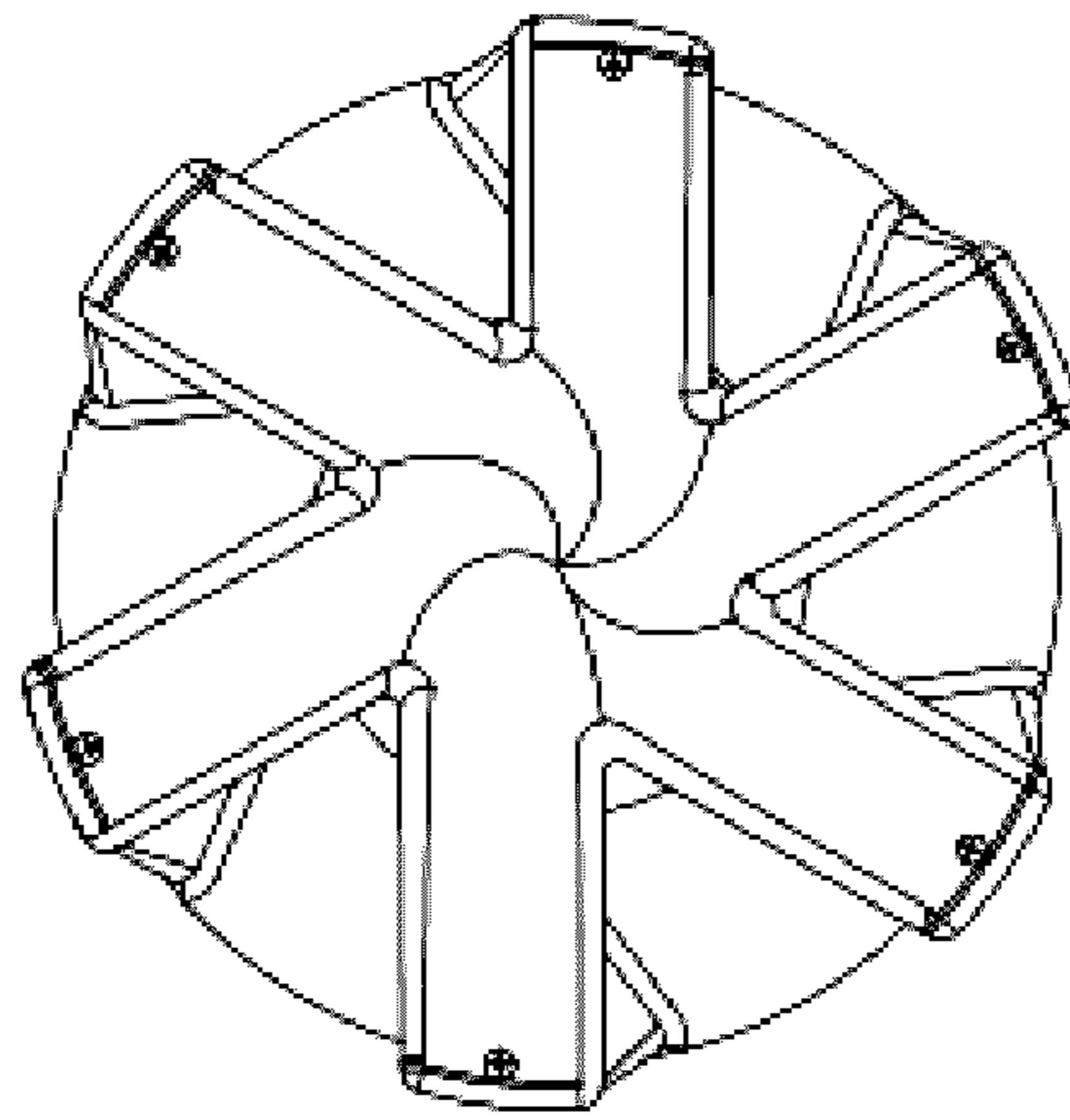


FIG. 3

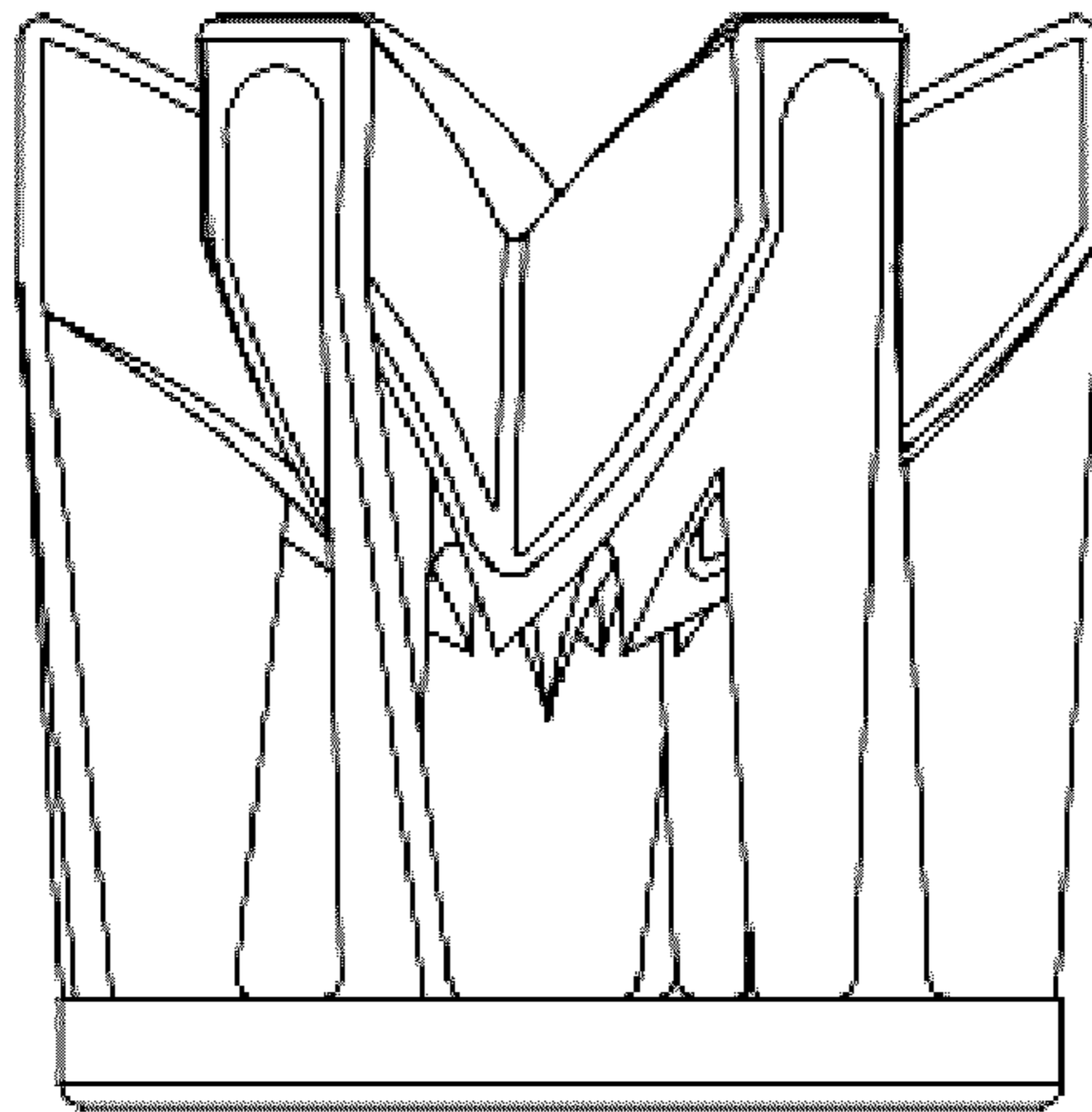


FIG. 4

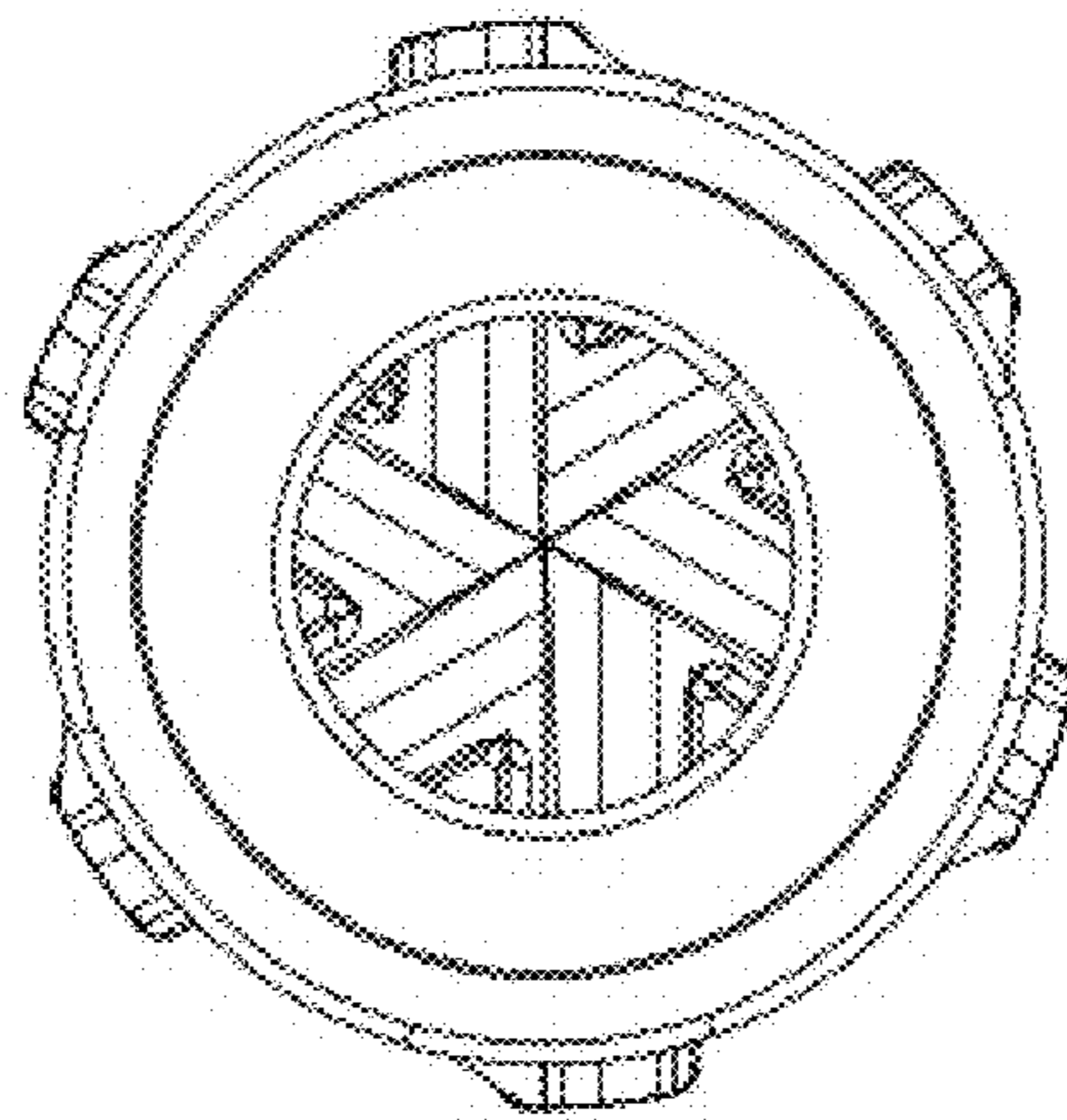


FIG. 5