



US00D770009S

(12) **United States Design Patent**  
**Hoover et al.**

(10) **Patent No.:** **US D770,009 S**  
(45) **Date of Patent:** **\*\* Oct. 25, 2016**

- (54) **DISTILLER**
- (71) Applicants: **Douglas Clayton Hoover**, Poway, CA (US); **George Stewart Stringfellow**, San Diego, CA (US)
- (72) Inventors: **Douglas Clayton Hoover**, Poway, CA (US); **George Stewart Stringfellow**, San Diego, CA (US)
- (\*\*) Term: **15 Years**
- (21) Appl. No.: **29/505,190**
- (22) Filed: **Jul. 16, 2015**
- (51) **LOC (10) Cl.** ..... **23-01**
- (52) **U.S. Cl.**  
USPC ..... **D23/207**
- (58) **Field of Classification Search**  
USPC ..... D23/207, 209; 210/241, 435, 151, 189; 202/81, 83, 185.3  
CPC ..... C02F 1/18  
See application file for complete search history.

5,178,734 A \* 1/1993 Palmer ..... B01D 3/02  
159/44  
5,286,350 A \* 2/1994 Huang ..... B01D 1/26  
202/174

\* cited by examiner

*Primary Examiner* — Robin V Webster

(57) **CLAIM**

We claim the ornamental design for a distiller, as shown and described.

**DESCRIPTION**

FIG. 1 is a pictorial view of our new distiller. The content of the label is not shown because it is the subject of a separate Trademark and/or Copyright submittal.

FIG. 2 is an exploded pictorial view of our new distiller, showing the Boiler at the bottom, a rubber Gasket at the center, and the Condenser at the top. The cut-away portions of the Boiler and the Condenser show that the bottoms of each are solid.

FIG. 3 is a front elevation of our new distiller.

FIG. 4 is a rear elevation of our new distiller.

FIG. 5 is a right-side elevation of our new distiller.

FIG. 6 is a left-side elevation of our new distiller.

FIG. 7 is a top view of our new distiller. FIG. 7 shows that the tubing (in which steam from the boiler condenses into liquid water in the Condenser) first passes through the center of the Condenser's bottom, rises through the Condenser's cooling water to near the top of the Condenser, then coils down the Condenser's wall several times before it exits through the port labeled "A" shown in FIG. 1, FIG. 2, and FIG. 3; and,

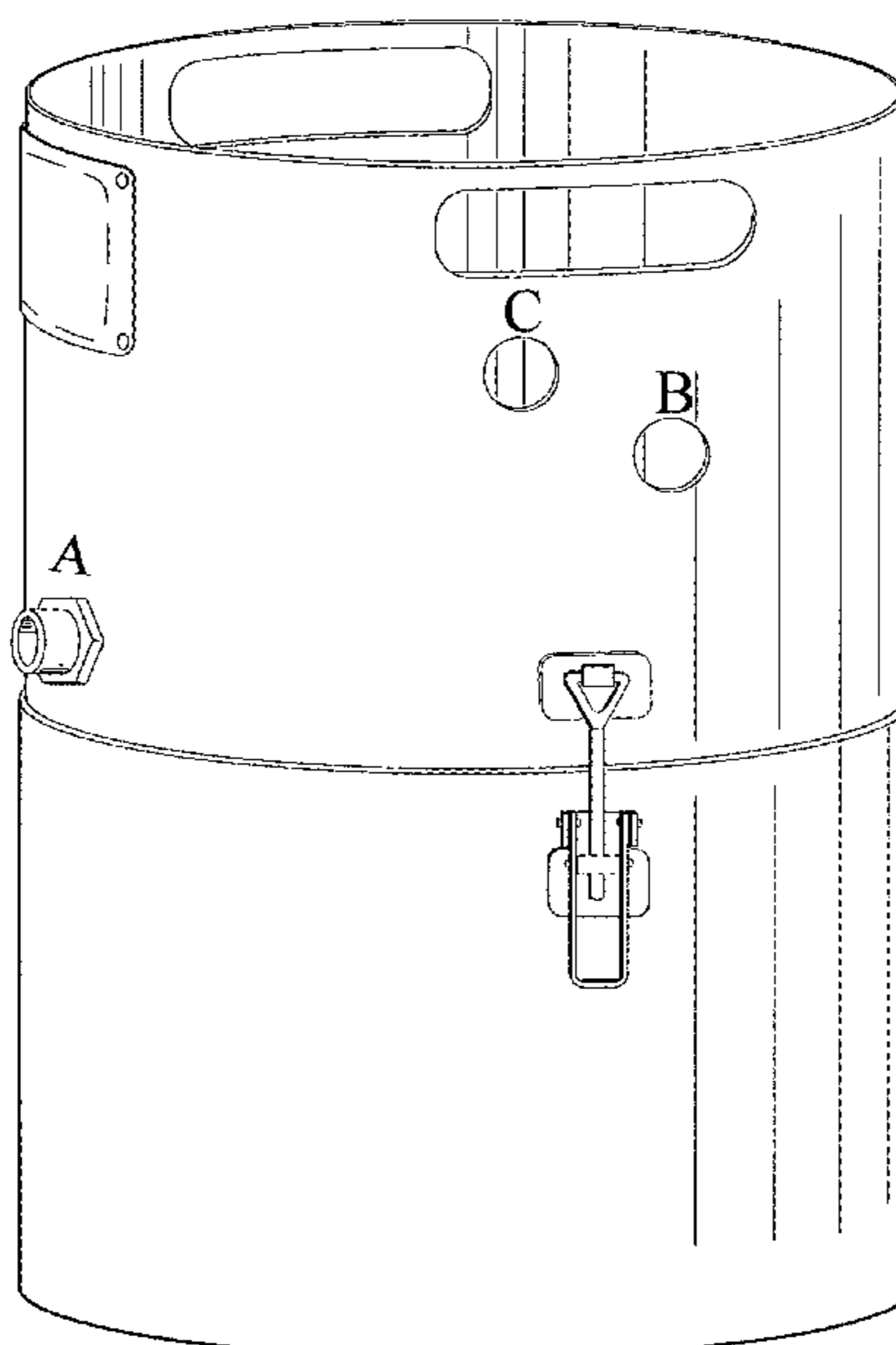
FIG. 8 is a bottom view of our new distiller, where the content of the logo is not shown because it is the subject of a separate Trademark submittal.

(56) **References Cited**

U.S. PATENT DOCUMENTS

- 3,830,705 A \* 8/1974 Dewegeli ..... B01D 3/02  
202/189
- D249,051 S \* 8/1978 Hansrote ..... D23/207
- D249,052 S \* 8/1978 Hansrote ..... D23/207
- D249,054 S \* 8/1978 Hansrote ..... D23/207
- D249,057 S \* 8/1978 Hansrote ..... D23/207
- 4,135,984 A \* 1/1979 Kirschmann ..... B01D 3/02  
202/196
- 4,187,150 A \* 2/1980 Rich ..... A47J 36/38  
202/182
- 4,269,663 A \* 5/1981 McFee ..... B01D 3/02  
202/185.3
- 4,342,623 A \* 8/1982 Loeffler ..... C02F 1/18  
202/185.5

**1 Claim, 8 Drawing Sheets**



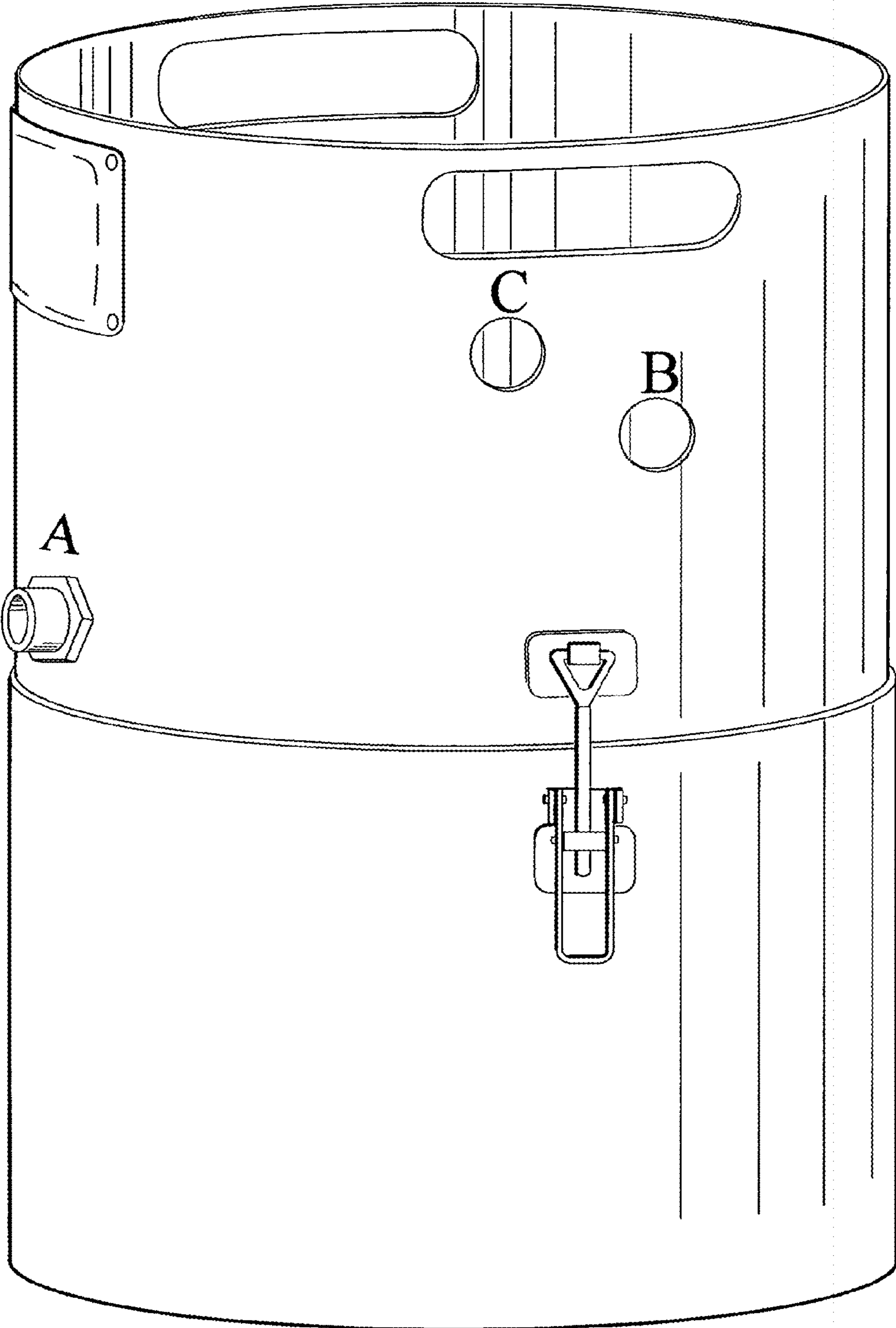


Fig 1

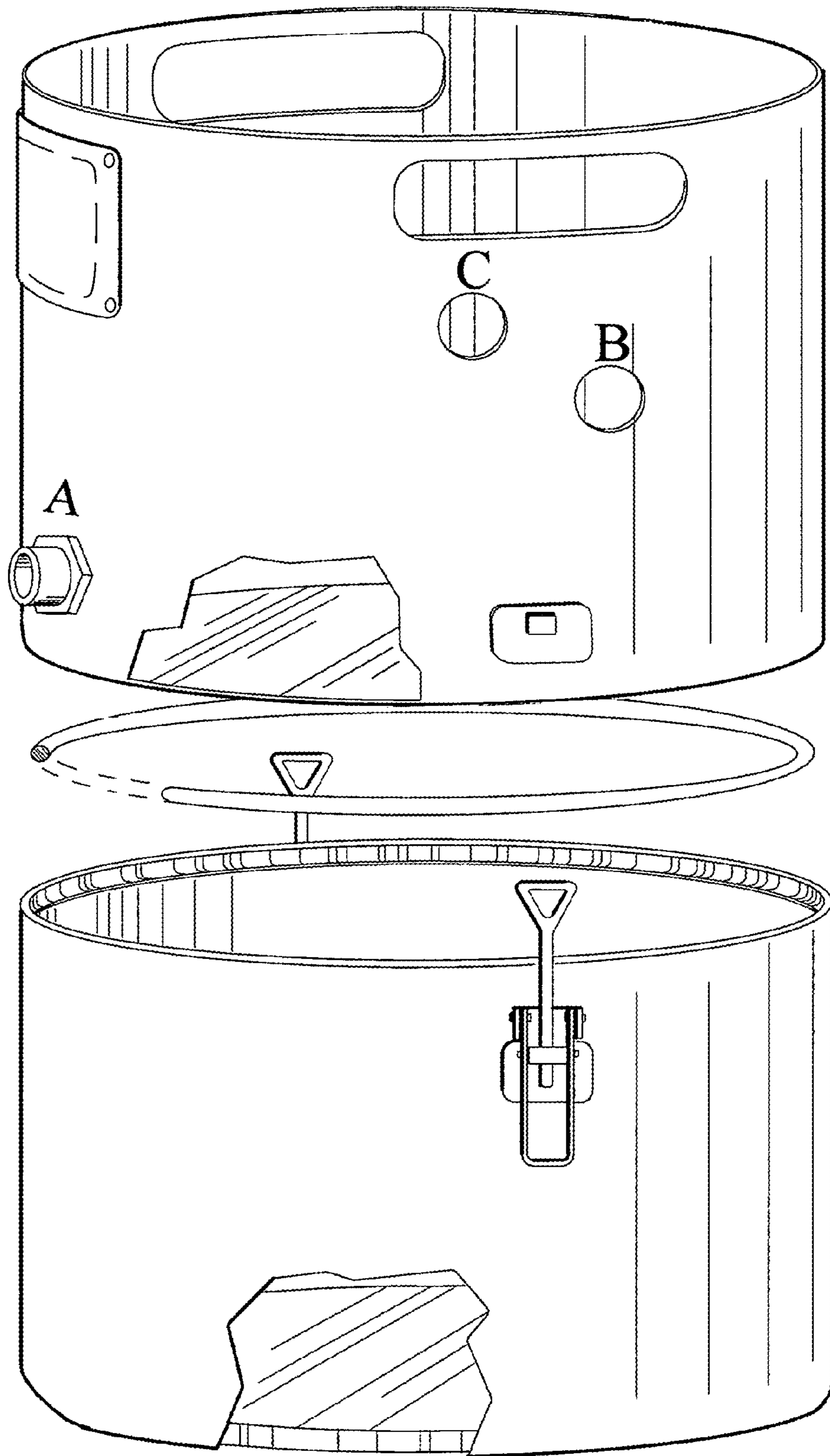


Fig. 2

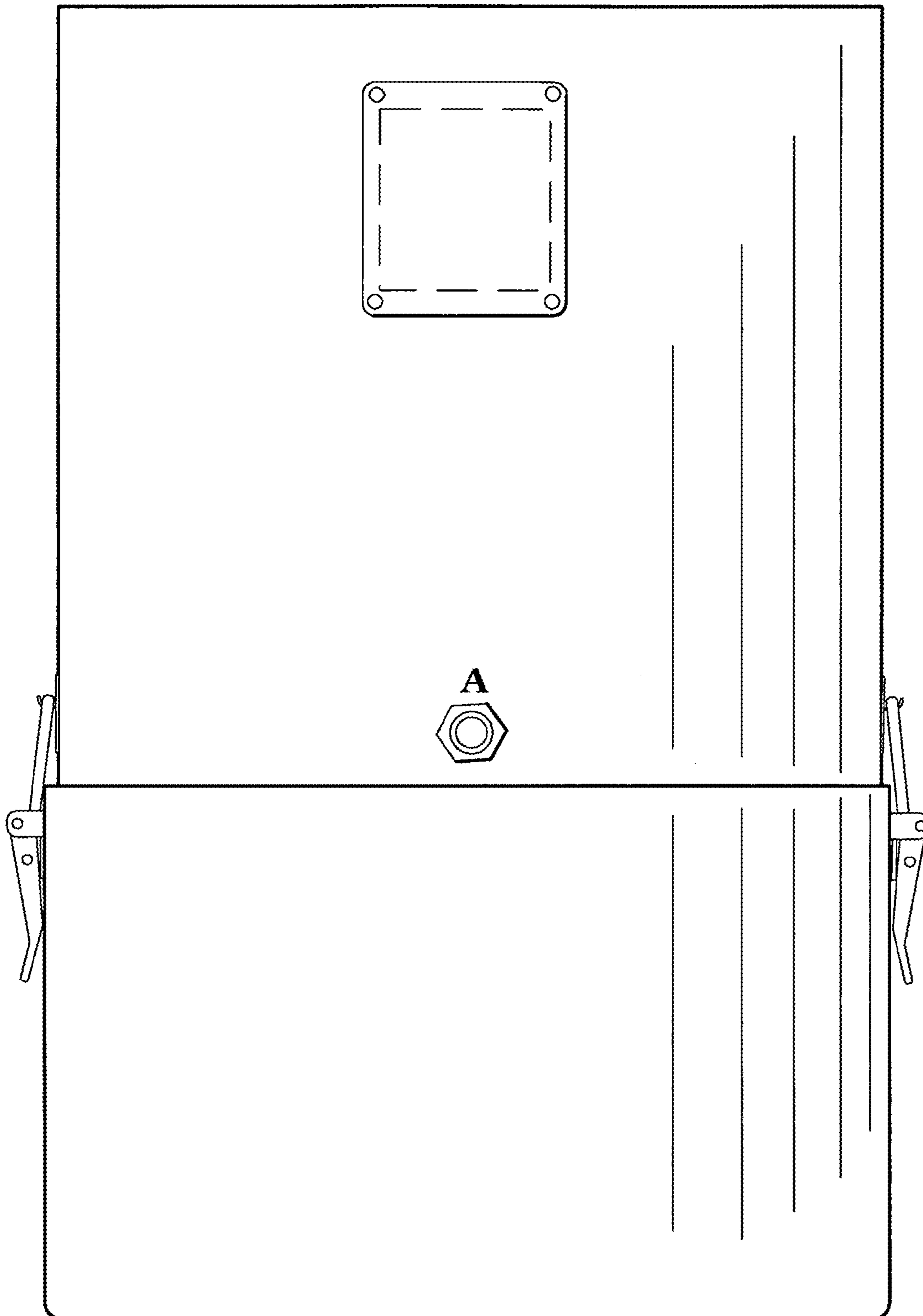


Fig 3

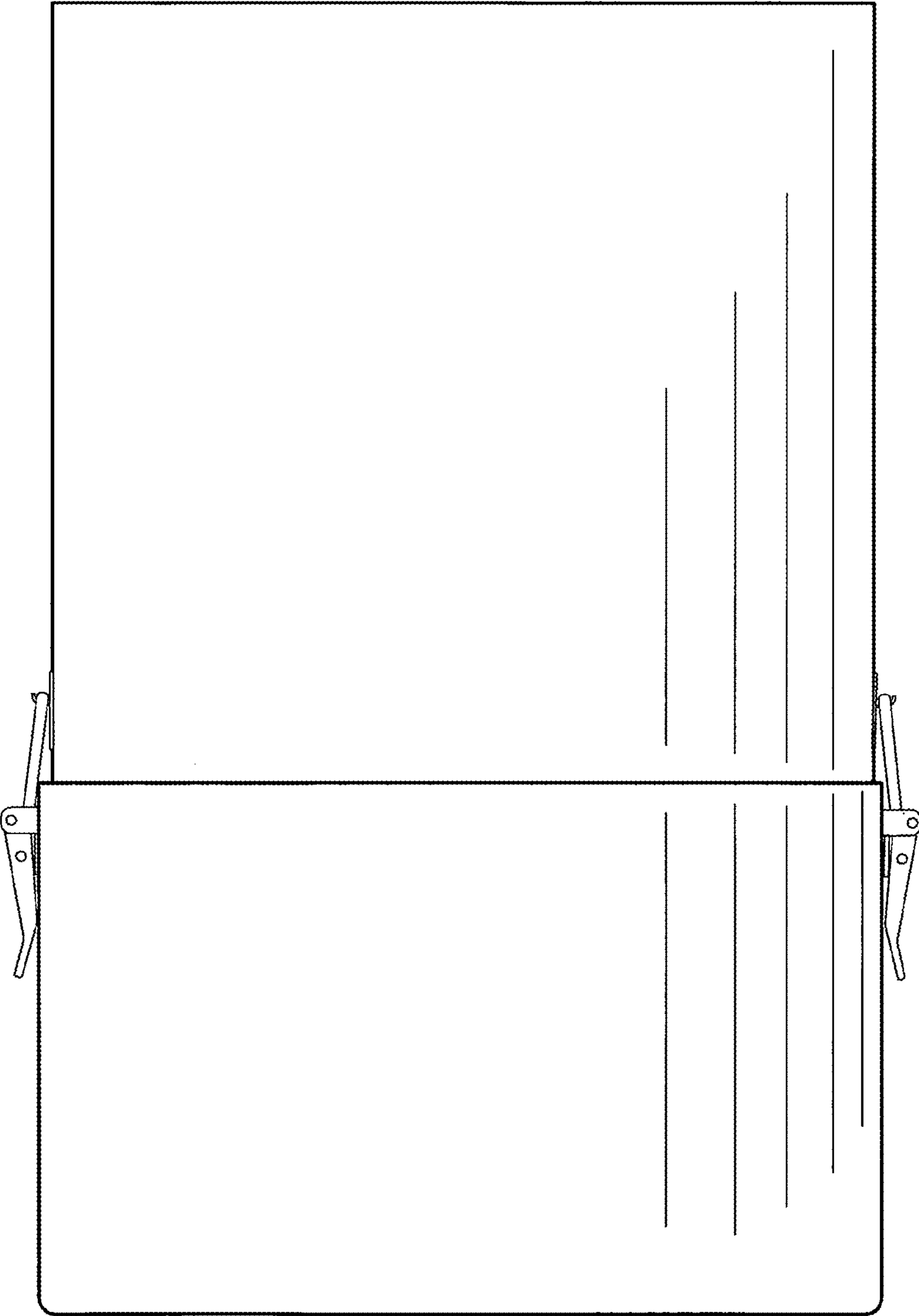


Fig 4

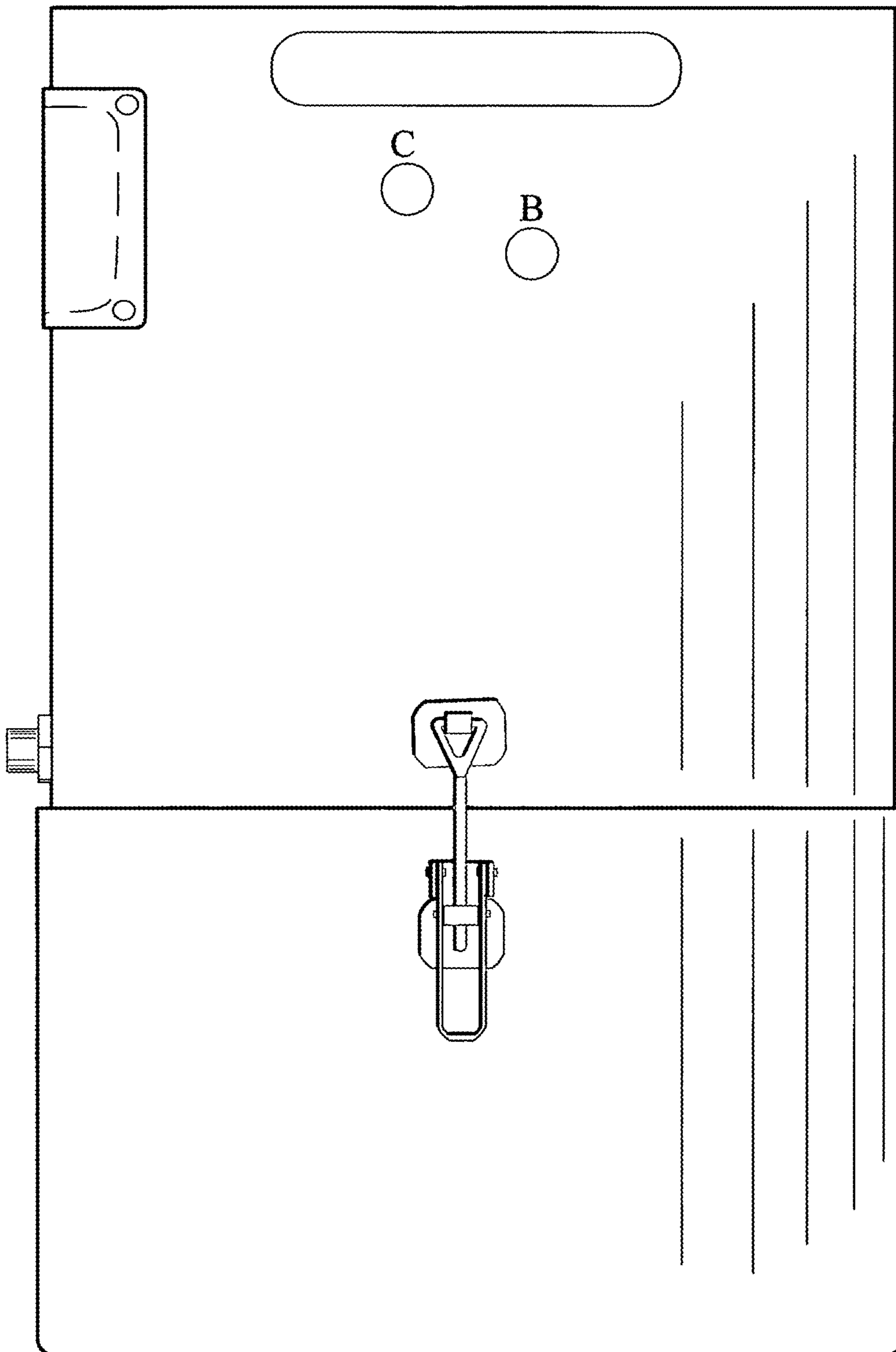


Fig 5

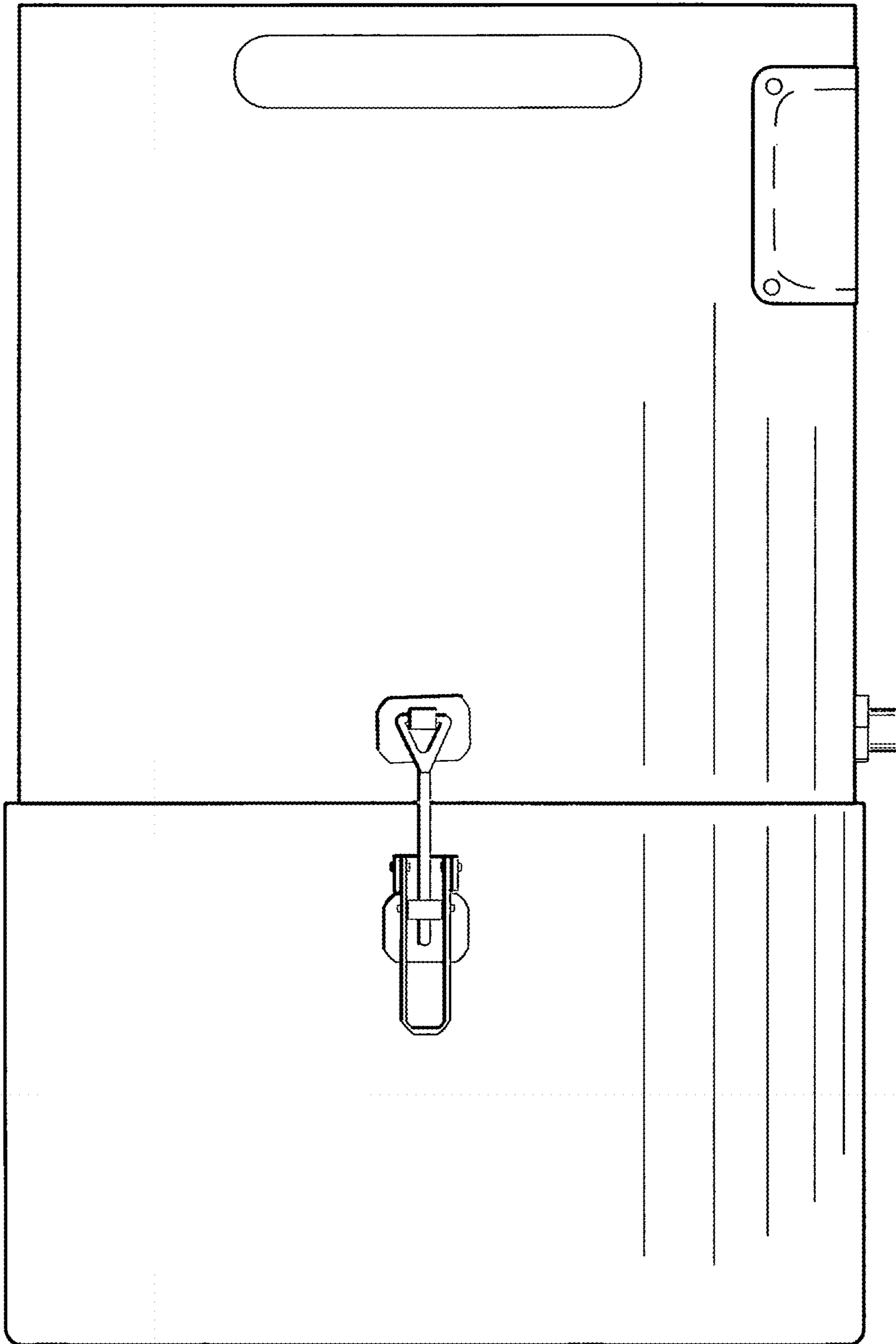


Fig 6

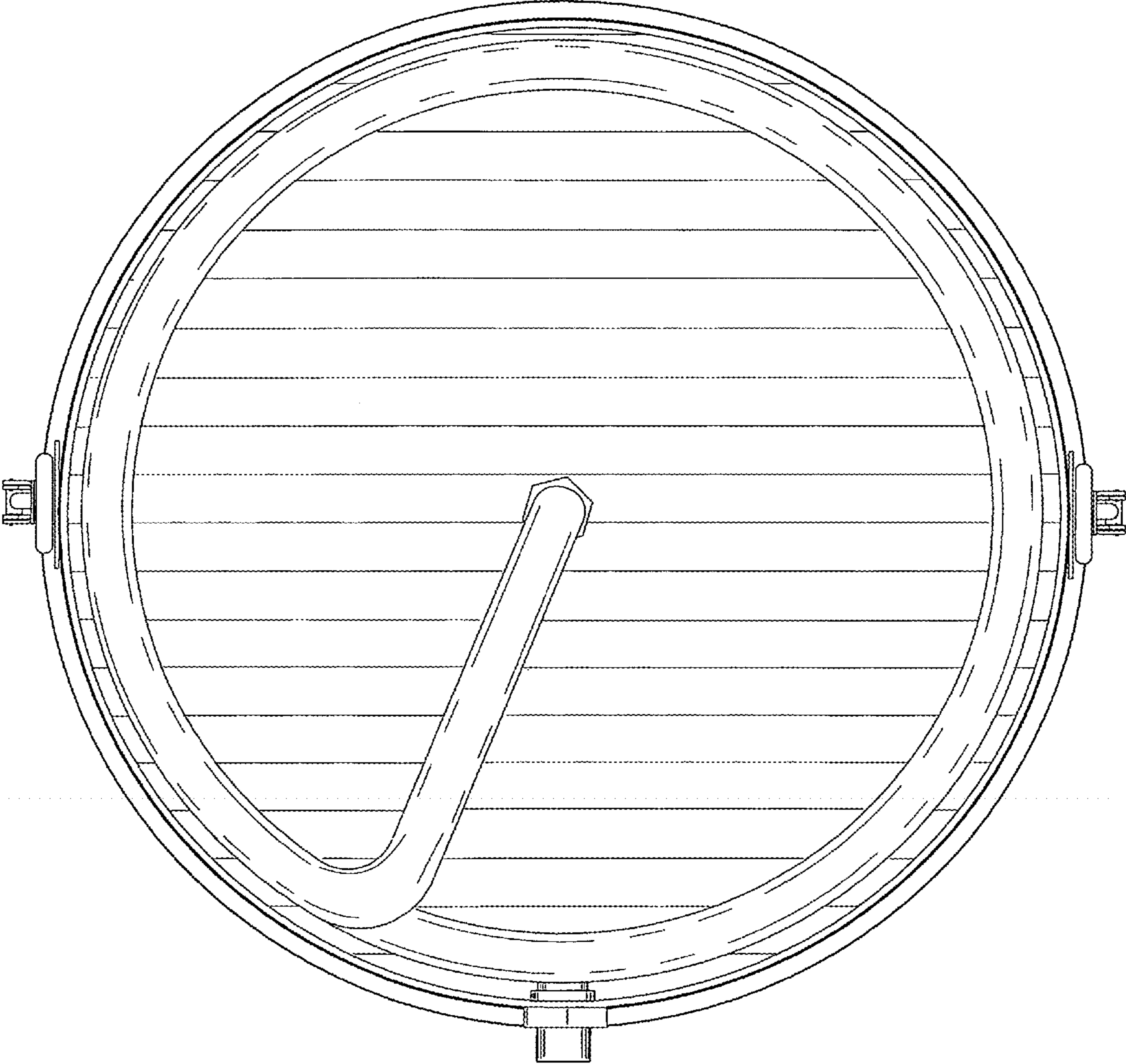


Fig 7



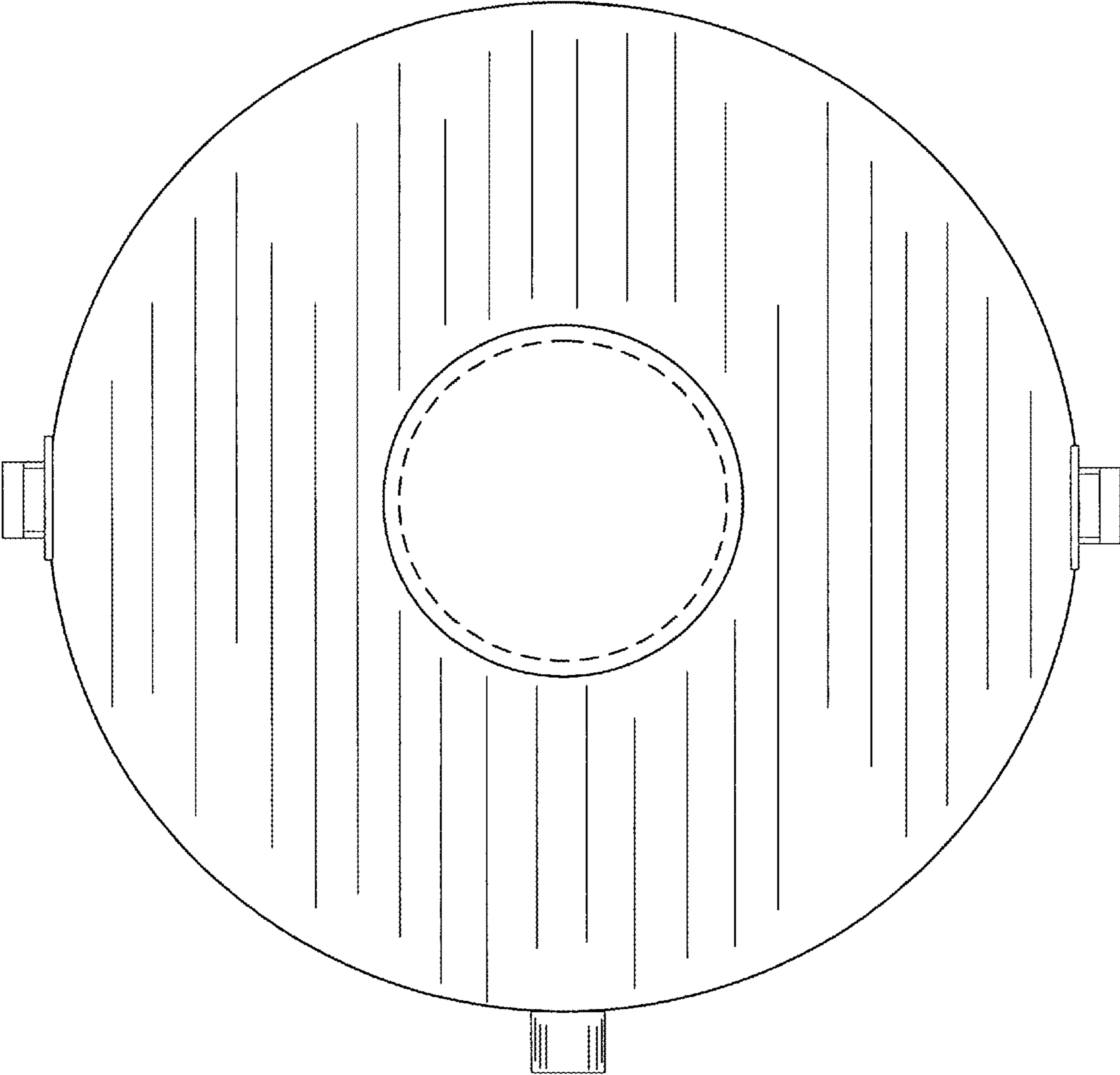


Fig 8