



US00D770004S

(12) **United States Design Patent** (10) **Patent No.:** **US D770,004 S**
Woller (45) **Date of Patent:** **** Oct. 25, 2016**

(54) **SHOOTING TARGET SUPPORT STAND**
(71) Applicant: **VIKING SOLUTIONS, LLC.,**
Decatur, AL (US)
(72) Inventor: **Ronald Ray Woller,** Decatur, AL (US)
(73) Assignee: **VIKING SOLUTIONS, LLC,** Decatur,
AL (US)

8,608,170 B2 12/2013 Ball
8,807,498 B1 8/2014 McCoy
D758,524 S * 6/2016 Woller D22/113
D763,401 S * 8/2016 Pixton D22/113
2008/0272548 A1 11/2008 Hensley
2013/0001880 A1 1/2013 Dean
2014/0252719 A1* 9/2014 Johnson F41J 1/10
273/407
2015/0292842 A1* 10/2015 Pixton F41J 1/10
273/407

(**) Term: **14 Years**

* cited by examiner

(21) Appl. No.: **29/474,964**

Primary Examiner — Michael A Pratt

(22) Filed: **Apr. 6, 2015**

(57) **CLAIM**

The ornamental design for a shooting target support stand, as shown and described.

(51) **LOC (10) Cl.** **22-04**

DESCRIPTION

(52) **U.S. Cl.**
USPC **D22/113**

(58) **Field of Classification Search**
USPC D22/113, 199; D25/67
CPC F41J 1/10; F41J 5/14; F41J 1/00;
F41J 3/0004; B25H 1/06; B25H 1/04;
B25H 1/14; B25H 1/02; B25H 1/0021;
B25H 1/16

See application file for complete search history.

FIG. 1 Top plan view of the shooting target support stand thereof.
FIG. 2 Front elevation view of the shooting target support stand thereof.
FIG. 3 Bottom plan view of the shooting target support stand thereof.
FIG. 4 Right elevation view of the shooting target support stand thereof.
FIG. 5 Back elevation view of the shooting target support stand thereof.
FIG. 6 Left elevation view of the shooting target support stand thereof.
FIG. 7 Front isometric view of the shooting target support stand thereof.
FIG. 8 Back isometric view of the shooting target support stand thereof; and,
FIG. 9 Isometric view of a pair of the shooting target support stand, shown setup for use as described.
The components shown in broken lines of FIG. 9 represent the environment and do not comprise any part of the invention.

(56) **References Cited**

U.S. PATENT DOCUMENTS

3,276,545 A * 10/1966 D Angelo B25H 1/06
108/115
4,029,318 A 6/1977 Boss
D257,395 S * 10/1980 Correll D25/67
4,248,326 A 2/1981 Hansen
4,298,096 A 11/1981 Prior
4,496,028 A 1/1985 Peterson
D279,606 S * 7/1985 Merians D25/67
4,565,263 A 1/1986 Southworth
D325,639 S * 4/1992 Tavella D25/68
D329,502 S 9/1992 Grill
D341,214 S 11/1993 LeJune
D349,165 S 7/1994 Jasmund
5,913,381 A 6/1999 D'Armond
6,129,180 A 10/2000 Brady
D672,578 S 12/2012 Linder

A shooting target support stand used in pairs to suspend a support beam and metal target.

1 Claim, 3 Drawing Sheets

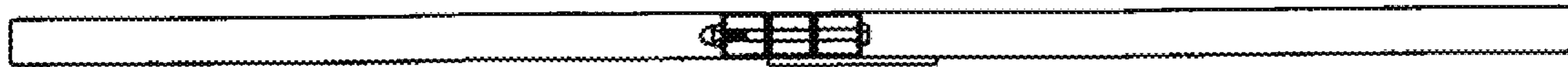




FIG. 1

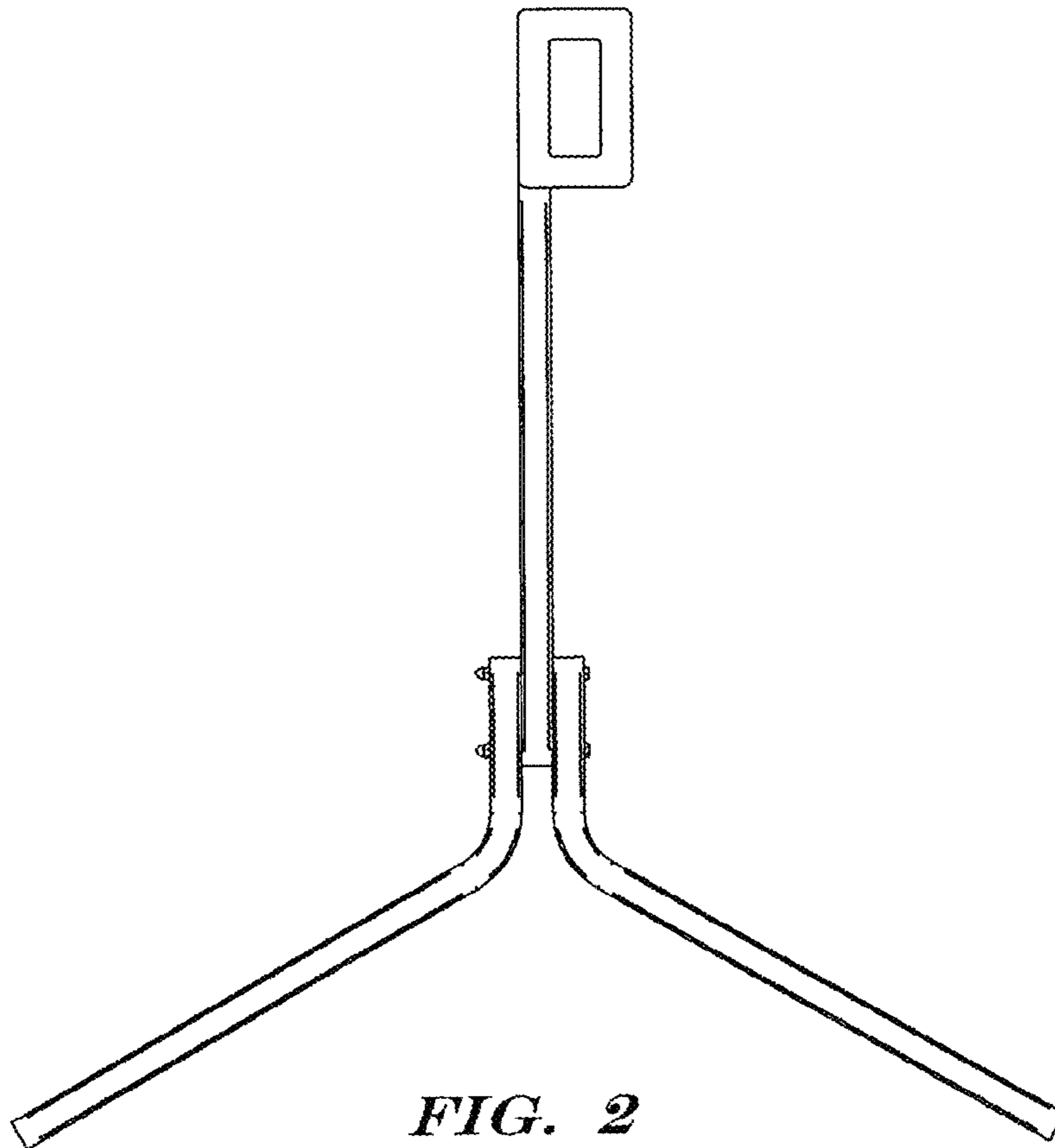


FIG. 2



FIG. 3



FIG. 4

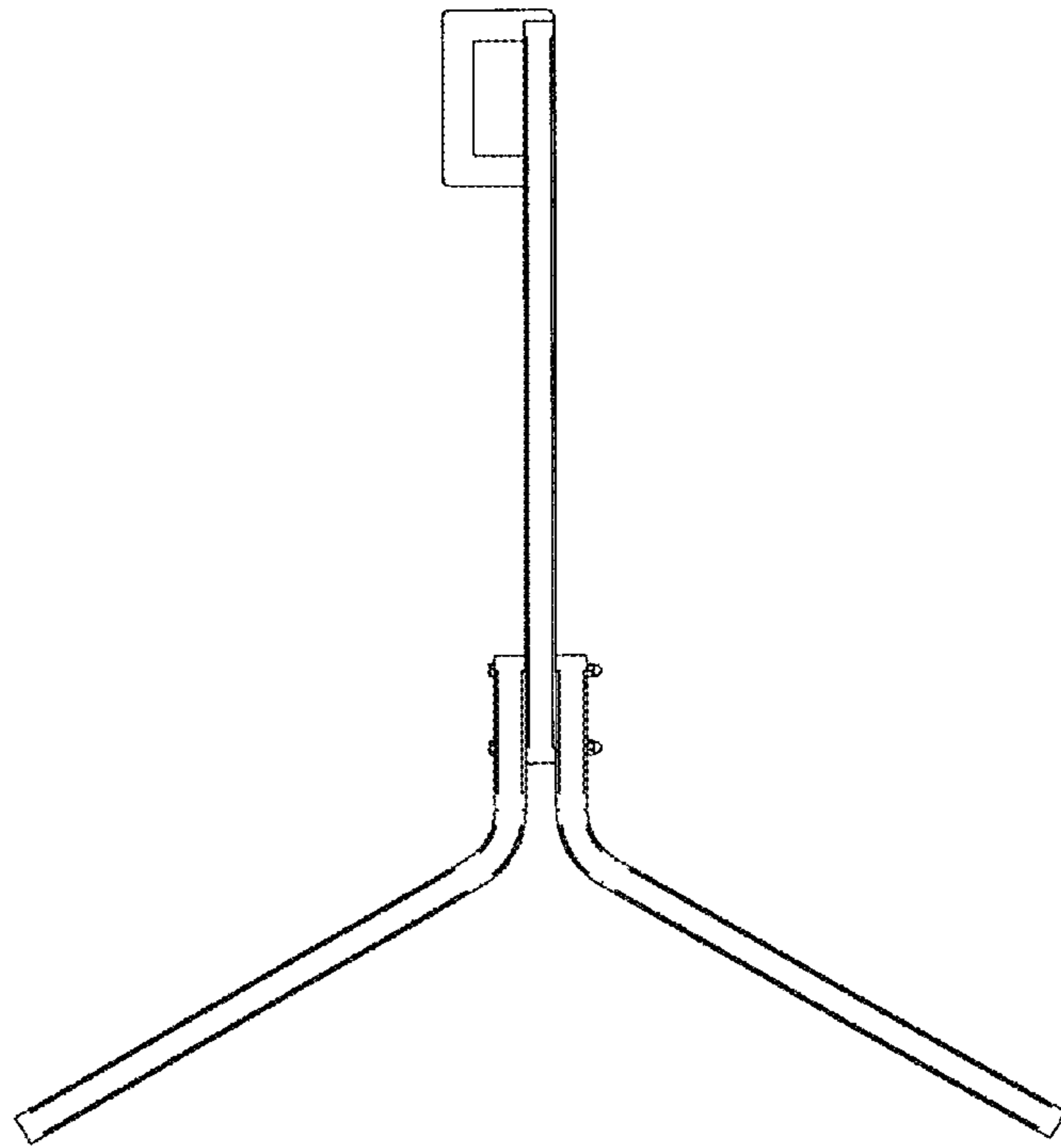


FIG. 5



FIG. 6

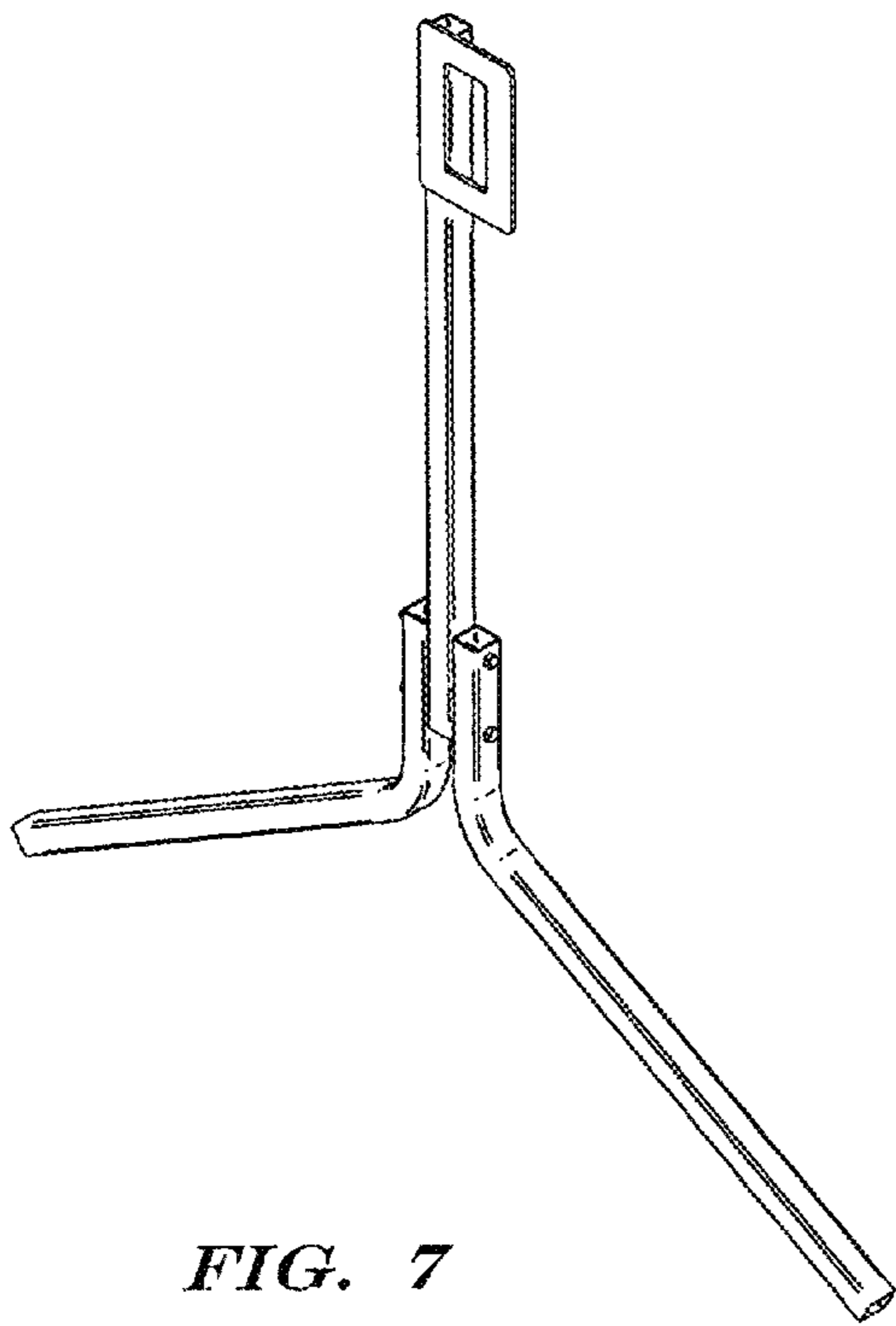


FIG. 7

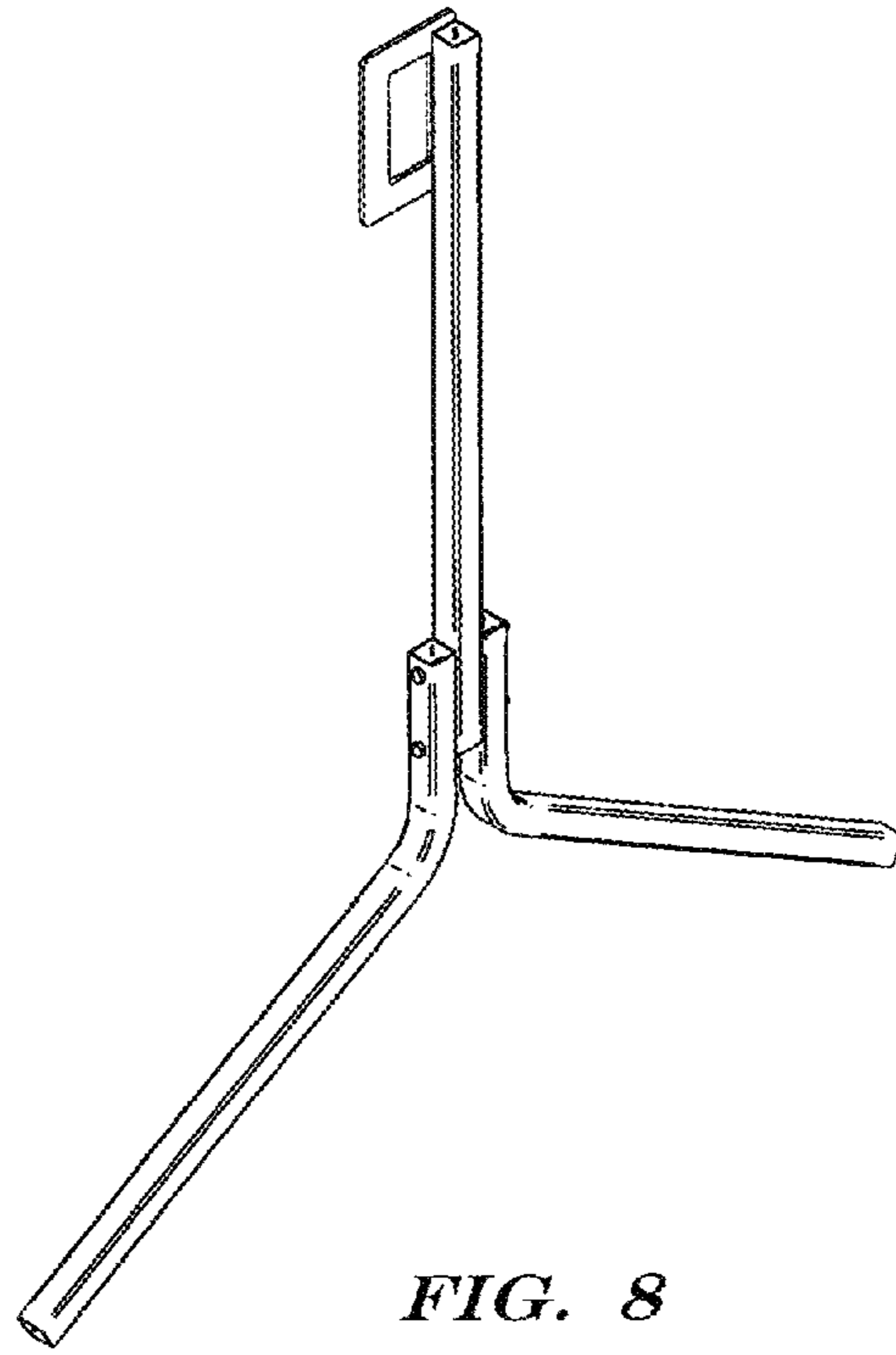


FIG. 8

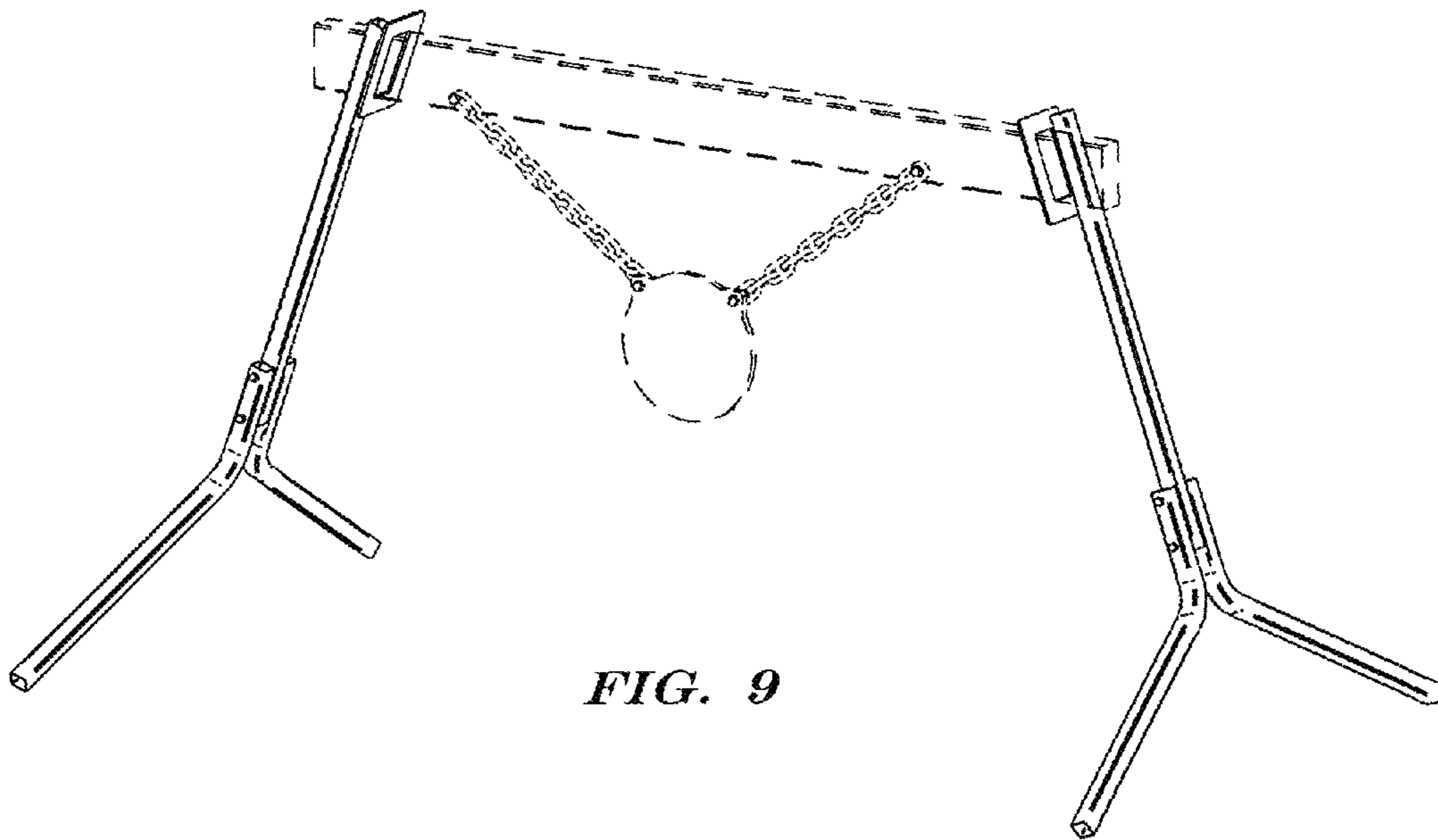


FIG. 9