



US00D770003S

(12) **United States Design Patent**  
**Hultman**

(10) **Patent No.:** **US D770,003 S**  
(45) **Date of Patent:** **\*\* Oct. 25, 2016**

(54) **LAUNCHER**  
(71) Applicant: **Safariland, LLC**, Jacksonville, FL (US)  
(72) Inventor: **John Hultman**, Casper, WY (US)

2013/0340311 A1\* 12/2013 Marquez ..... F41A 11/02  
42/72  
2014/0082984 A1\* 3/2014 Kent ..... F41A 9/83  
42/88  
2015/0159981 A1\* 6/2015 Forbes ..... F42B 5/08  
89/14.05

(73) Assignee: **Safariland, LLC**, Jacksonville, FL (US)  
(\*\*) Term: **14 Years**

**OTHER PUBLICATIONS**

Admitted Prior Art—Prior Art Penn Launcher—4 pages of photos.  
Admitted Prior Art—Prior Art Safariland Launcher—5 pages of photos.

(21) Appl. No.: **29/514,826**

\* cited by examiner

(22) Filed: **Jan. 16, 2015**

*Primary Examiner* — Michael A Pratt

(51) **LOC (10) Cl.** ..... **22-01**

(74) *Attorney, Agent, or Firm* — Kane Kessler, P.C.; Paul E. Szabo

(52) **U.S. Cl.**  
USPC ..... **D22/108**

(58) **Field of Classification Search**  
USPC ..... D22/103, 108  
CPC ..... F41C 27/06  
See application file for complete search history.

(57) **CLAIM**

The ornamental design for a launcher, as shown.

**DESCRIPTION**

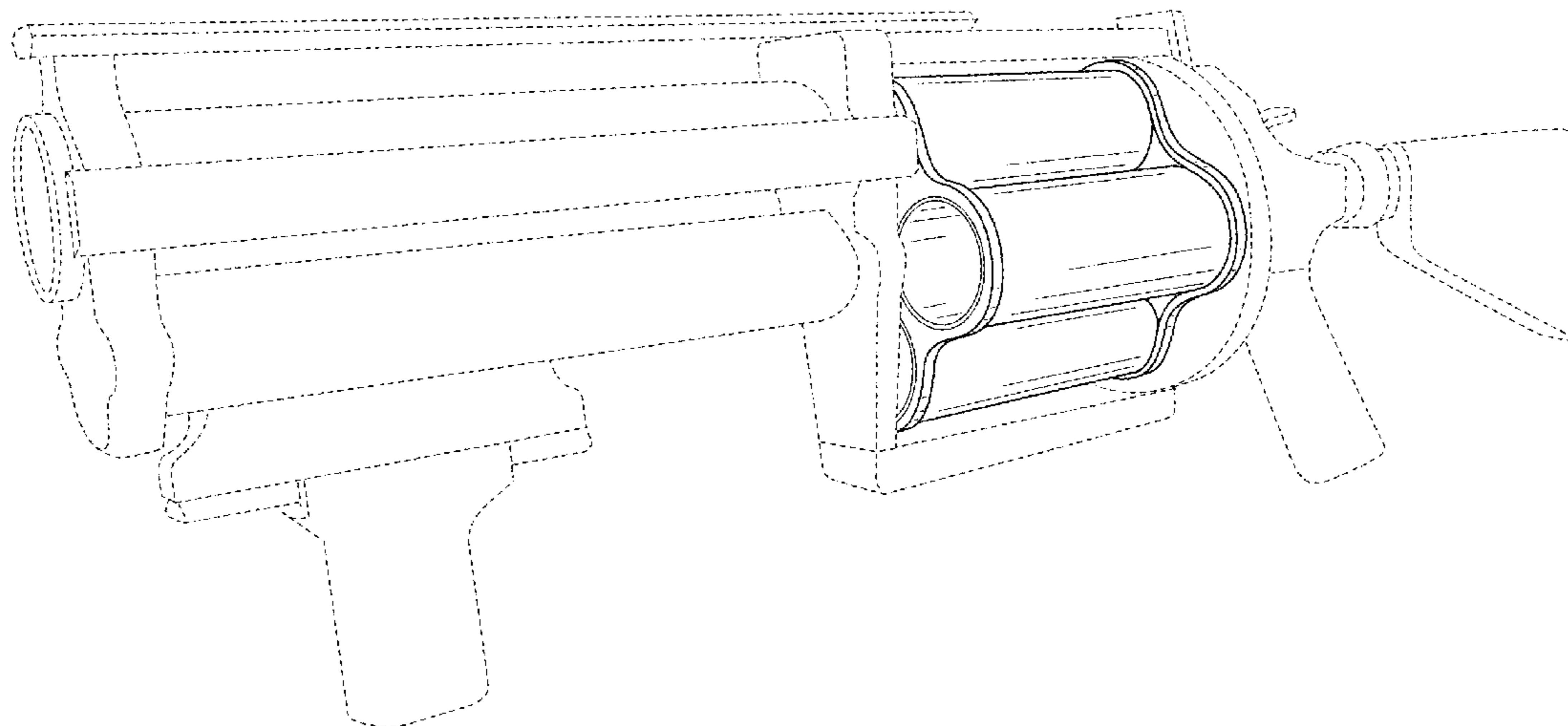
(56) **References Cited**

**U.S. PATENT DOCUMENTS**

5,832,911 A \* 11/1998 Mayville ..... F41B 11/51  
124/53.5  
5,954,043 A \* 9/1999 Mayville ..... F41B 11/51  
124/75  
6,142,058 A \* 11/2000 Mayville ..... F41B 11/51  
124/74  
D709,586 S \* 7/2014 Rapic ..... D22/108  
9,062,922 B1 \* 6/2015 Burt ..... F41A 9/74

FIG. 1 is a perspective view of a launcher that is an embodiment of the invention;  
FIG. 2 is a left side elevational view of the launcher;  
FIG. 3 is a right side elevational view of the launcher;  
FIG. 4 is a top plan view of the launcher;  
FIG. 5 is a bottom plan view of the launcher;  
FIG. 6 is a front elevational view of the launcher;  
FIG. 7 is a back elevational view of the launcher; and,  
FIG. 8 is a perspective view of a cylinder that forms a part of the launcher.

**1 Claim, 6 Drawing Sheets**



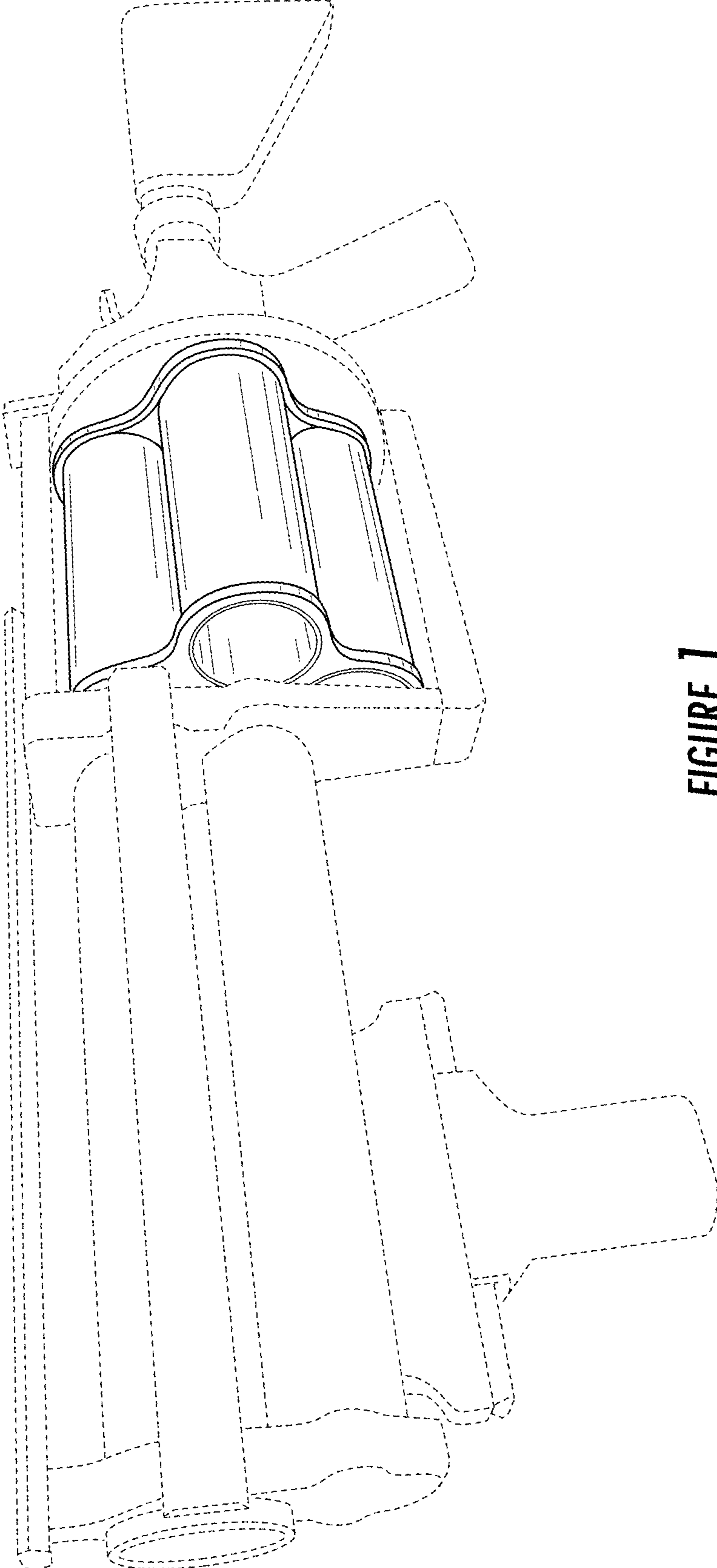


FIGURE 1

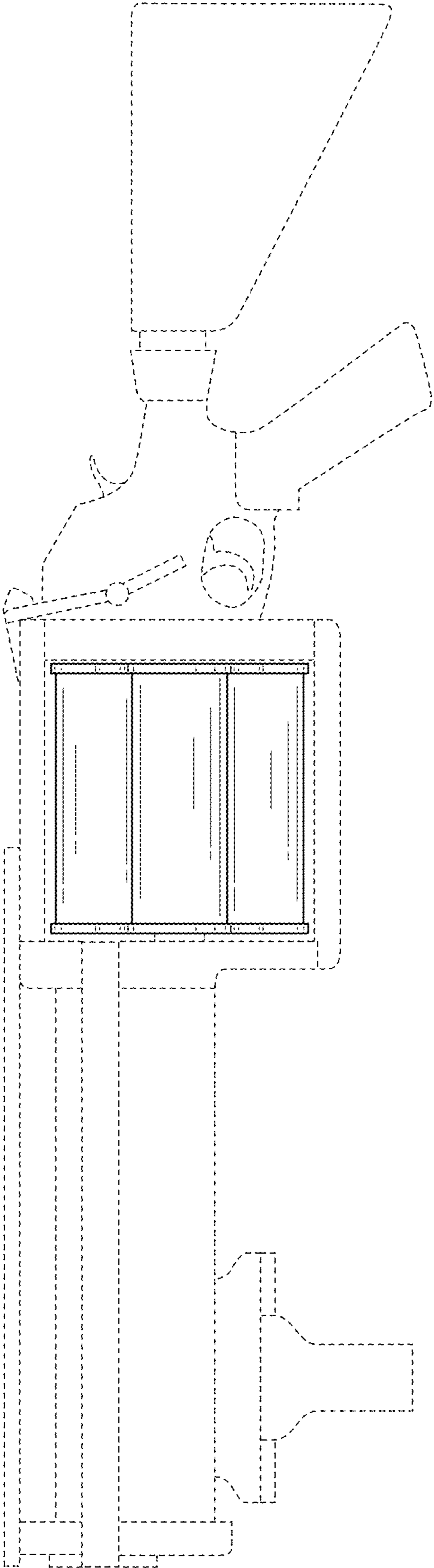


FIGURE 2

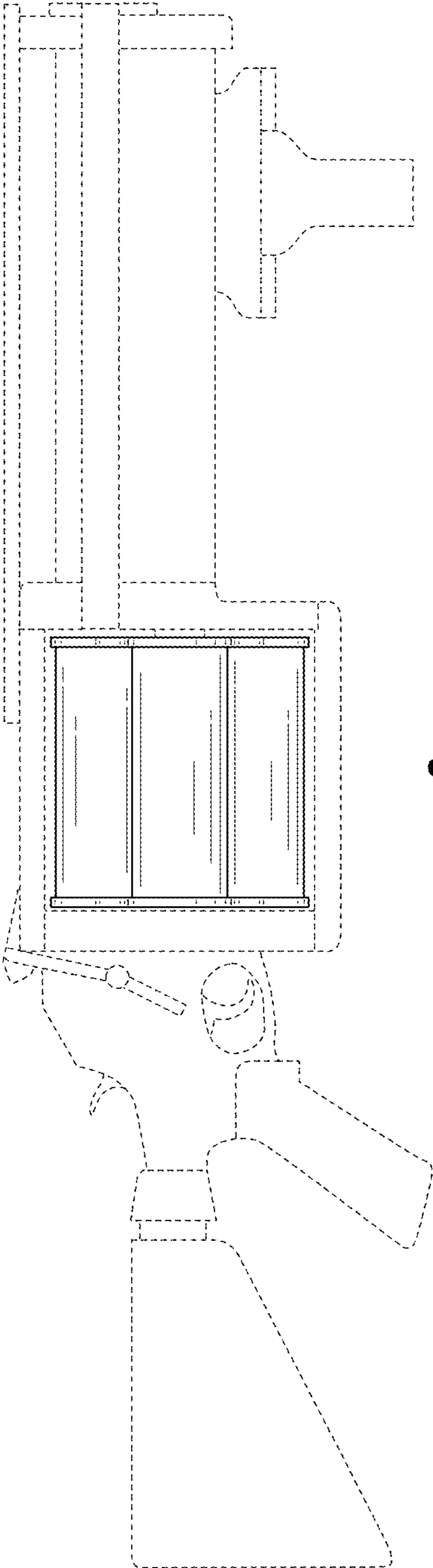


FIGURE 3

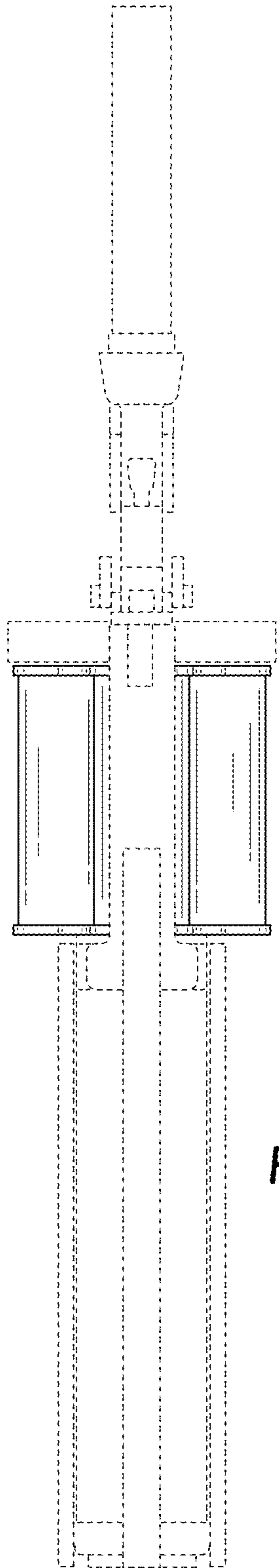


FIGURE. 4

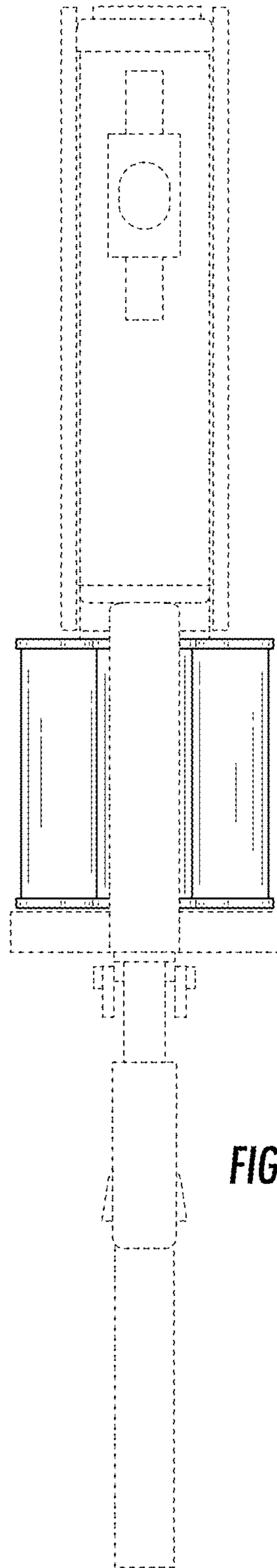
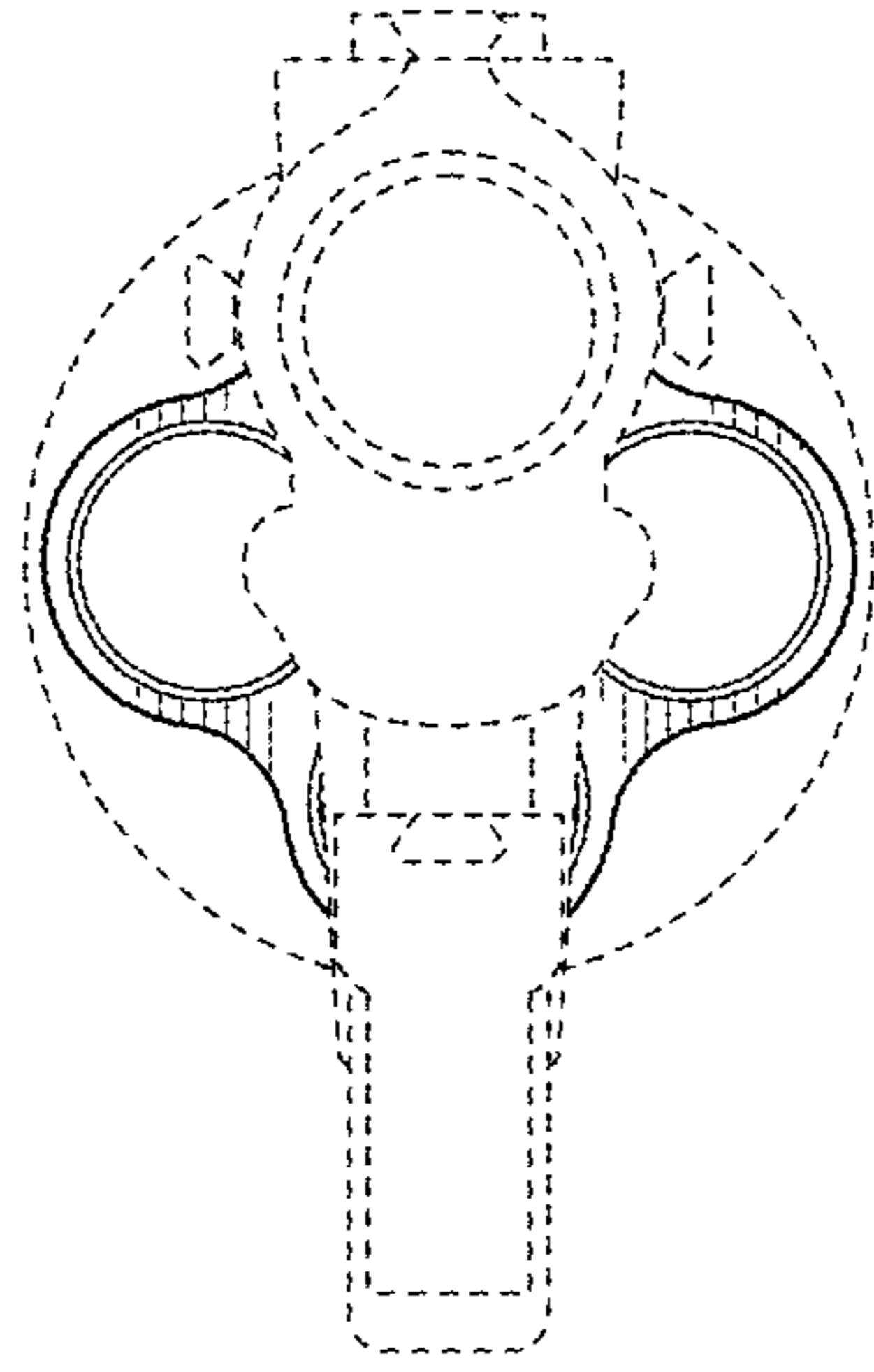
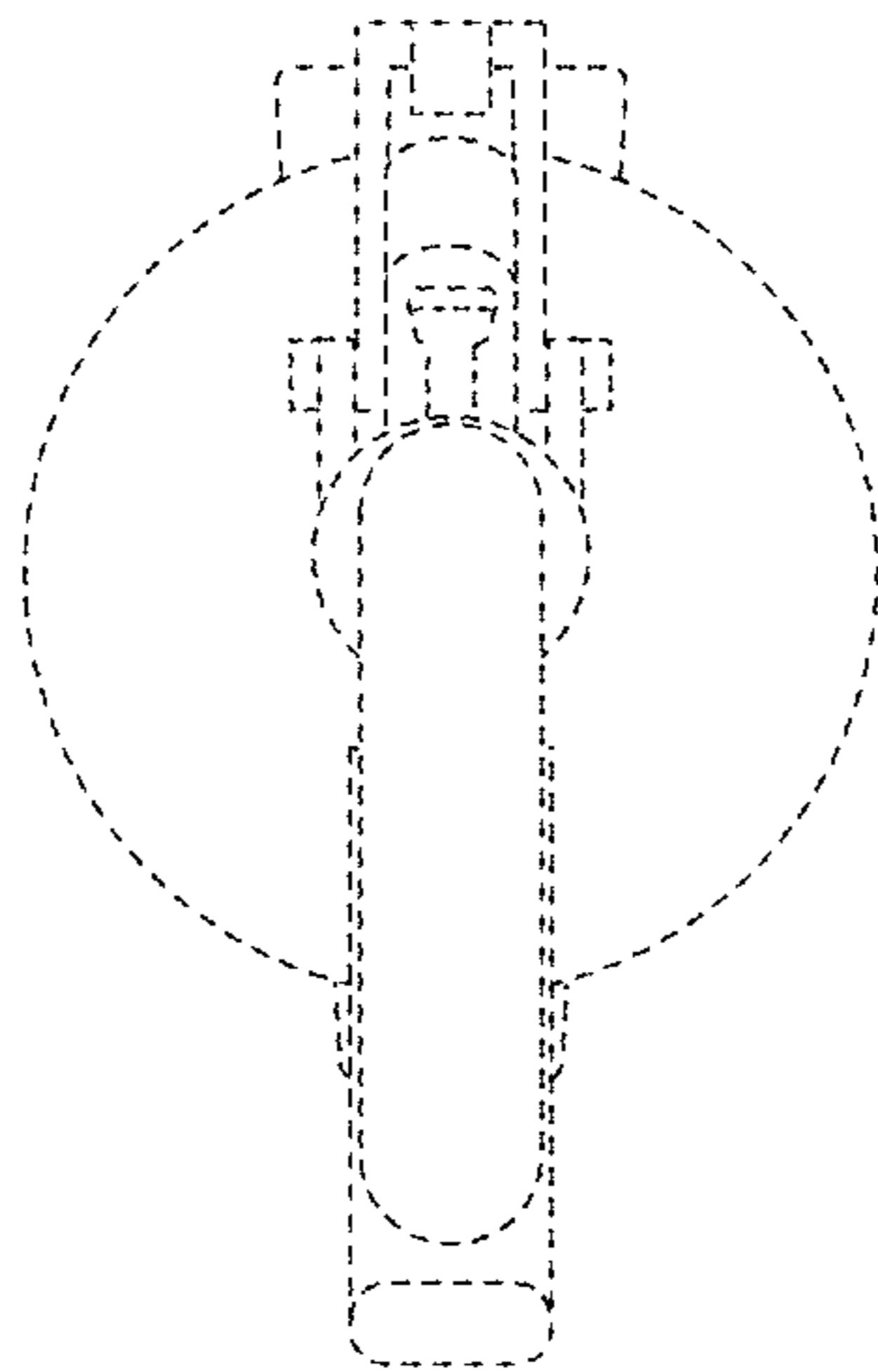


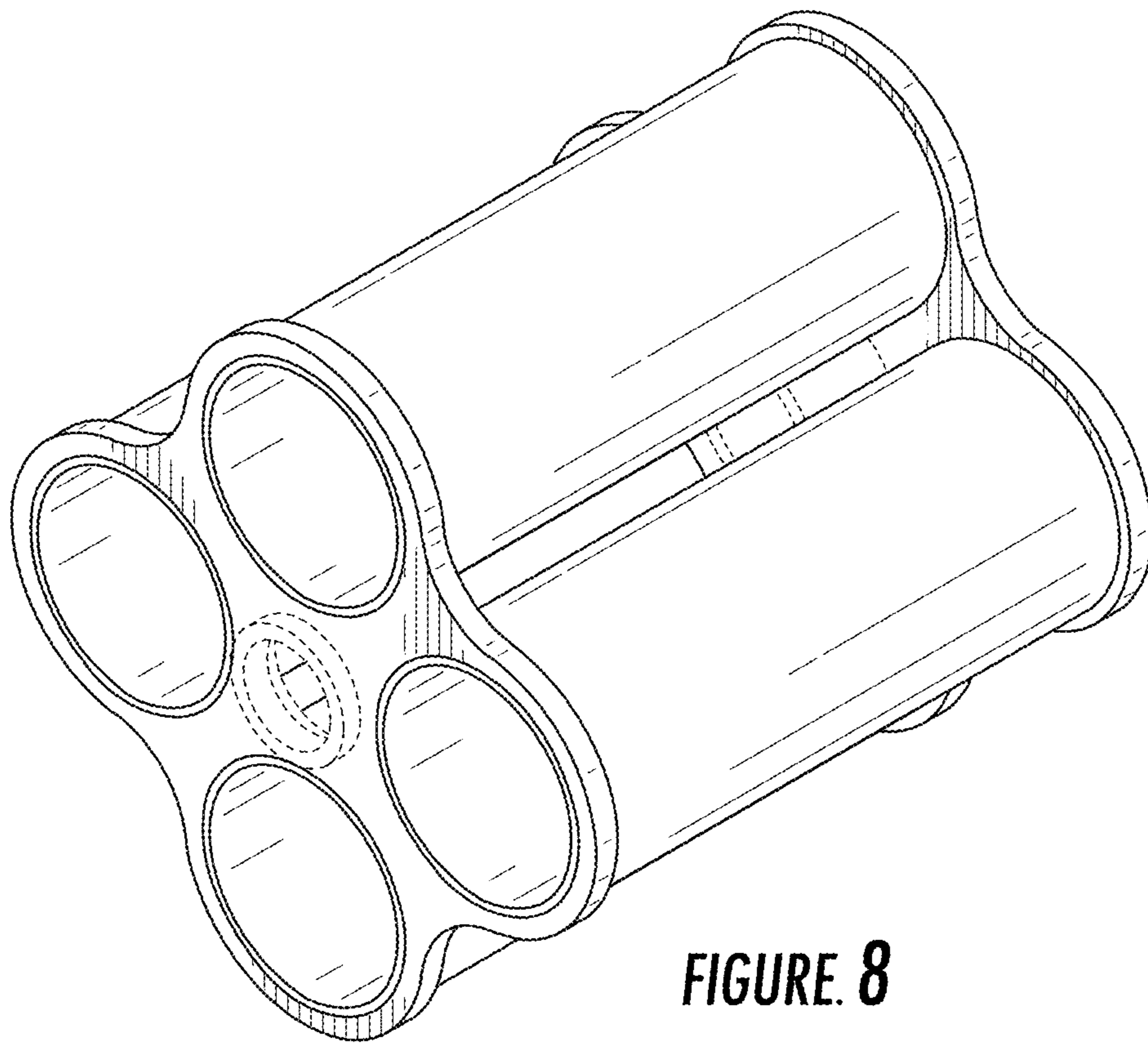
FIGURE. 5



**FIGURE 6**



**FIGURE 7**



**FIGURE 8**