



US00D770002S

(12) **United States Design Patent**  
**Anderson**

(10) **Patent No.:** **US D770,002 S**

(45) **Date of Patent:** **\*\* Oct. 25, 2016**

(54) **ACCESSORY FOR A FIREARMS MAGAZINE**

(71) Applicant: **Casey Anderson**, Kennedy, NY (US)

(72) Inventor: **Casey Anderson**, Kennedy, NY (US)

(\*\*) Term: **14 Years**

(21) Appl. No.: **29/510,212**

(22) Filed: **Nov. 25, 2014**

(51) **LOC (10) Cl.** ..... **22-01**

(52) **U.S. Cl.**  
USPC ..... **D22/108**

(58) **Field of Classification Search**  
USPC ..... D22/108  
CPC ..... F41C 27/18; F41C 23/16; F41C 27/00  
See application file for complete search history.

(56) **References Cited**

**U.S. PATENT DOCUMENTS**

1,511,916 A \* 10/1924 Sipes ..... F41C 27/16  
30/155  
D726,279 S \* 4/2015 Stedman ..... D22/108  
2013/0333261 A1\* 12/2013 Clifton, Jr. .... F41A 9/65  
42/50

\* cited by examiner

*Primary Examiner* — Michael A Pratt

(74) *Attorney, Agent, or Firm* — The Bilicki Law Firm,  
P.C.; Carl A. Hjort, III

(57) **CLAIM**

The ornamental design for an accessory for a firearms magazine, as shown and described.

**DESCRIPTION**

FIG. 1 is a right side view of an accessory for a firearms magazine, with the sheath removed.

FIG. 2 is a left side view of an accessory for a firearms magazine, with the sheath removed.

FIG. 3 is a top view of an accessory for a firearms magazine. FIG. 4 is a bottom view of an accessory for a firearms magazine, with the sheath removed.

FIG. 5 is a front view of an accessory for a firearms magazine, with the sheath removed.

FIG. 6 is a rear view of an accessory for a firearms magazine, with the sheath removed.

FIG. 7 is a top perspective view of an accessory for a firearms magazine with the sheath removed.

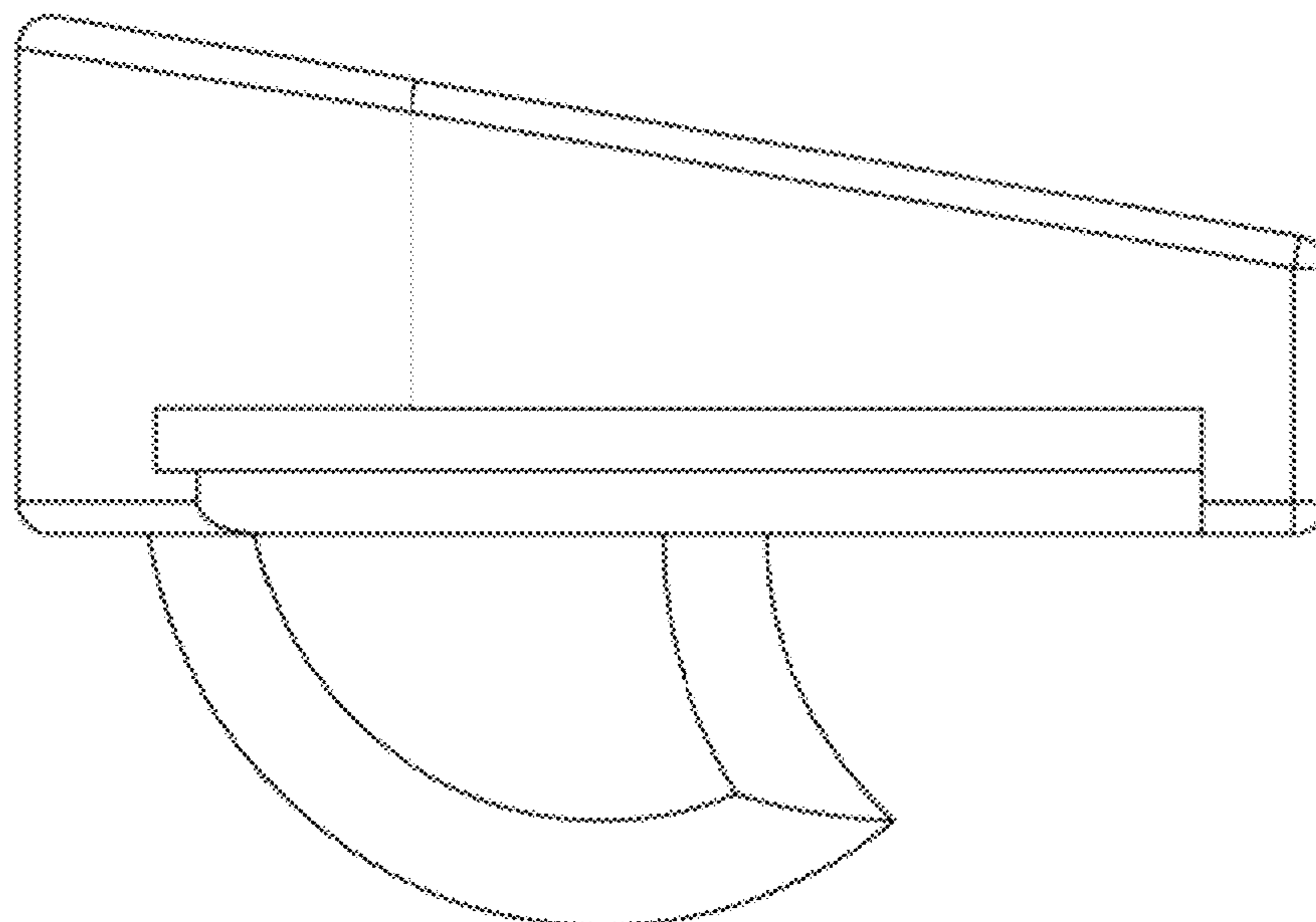
FIG. 8 is an exploded view of an accessory for a firearms magazine showing engagement of the sheath with the remainder of the accessory.

FIG. 9 is a right side view of an accessory for a firearms magazine, with the sheath engaged.

FIG. 10 is a front view of an accessory for a firearms magazine, with the sheath engaged; and,

FIG. 11 is a top perspective view of the sheath for an accessory for a firearms magazine.

**1 Claim, 11 Drawing Sheets**



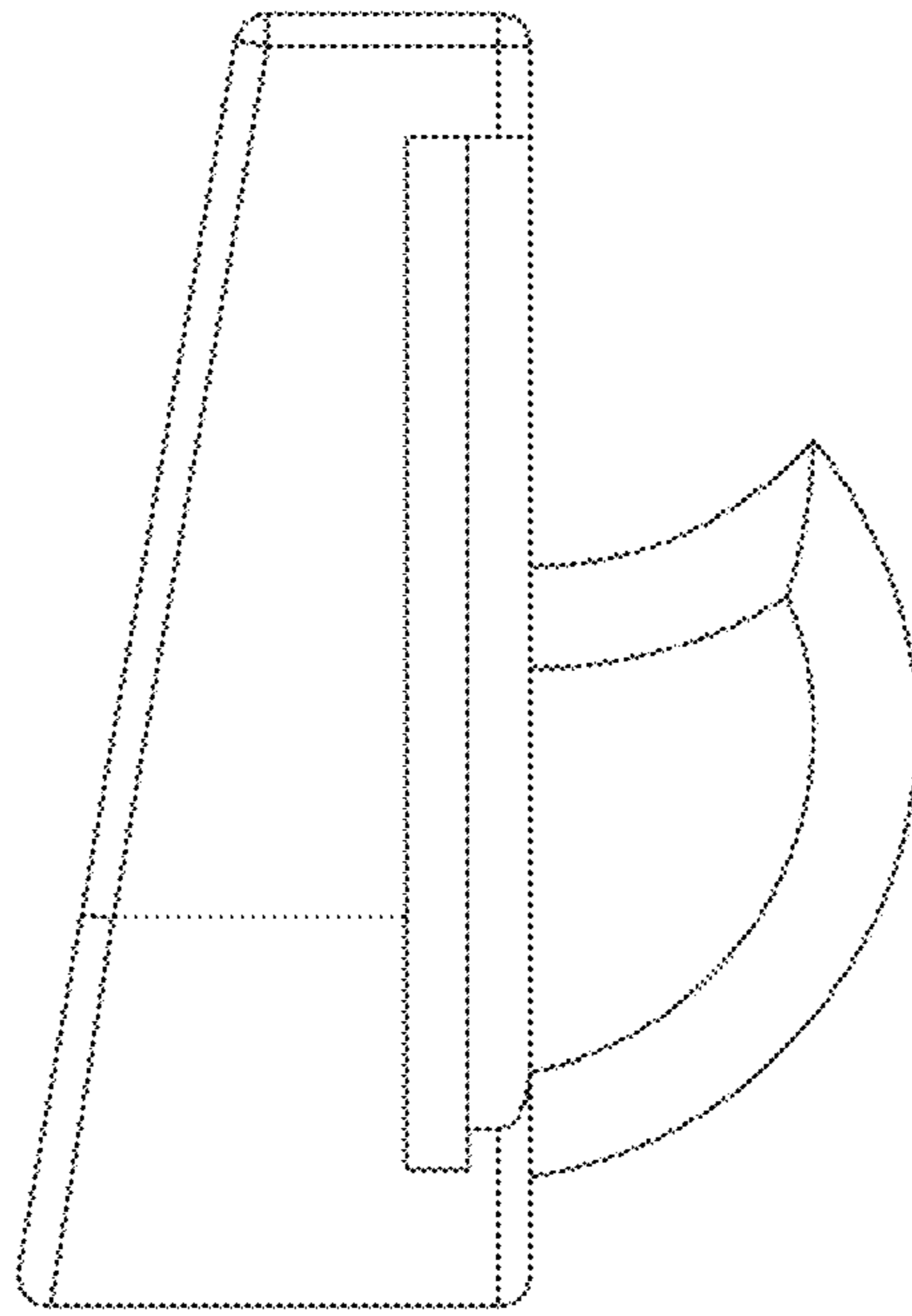


FIGURE 1

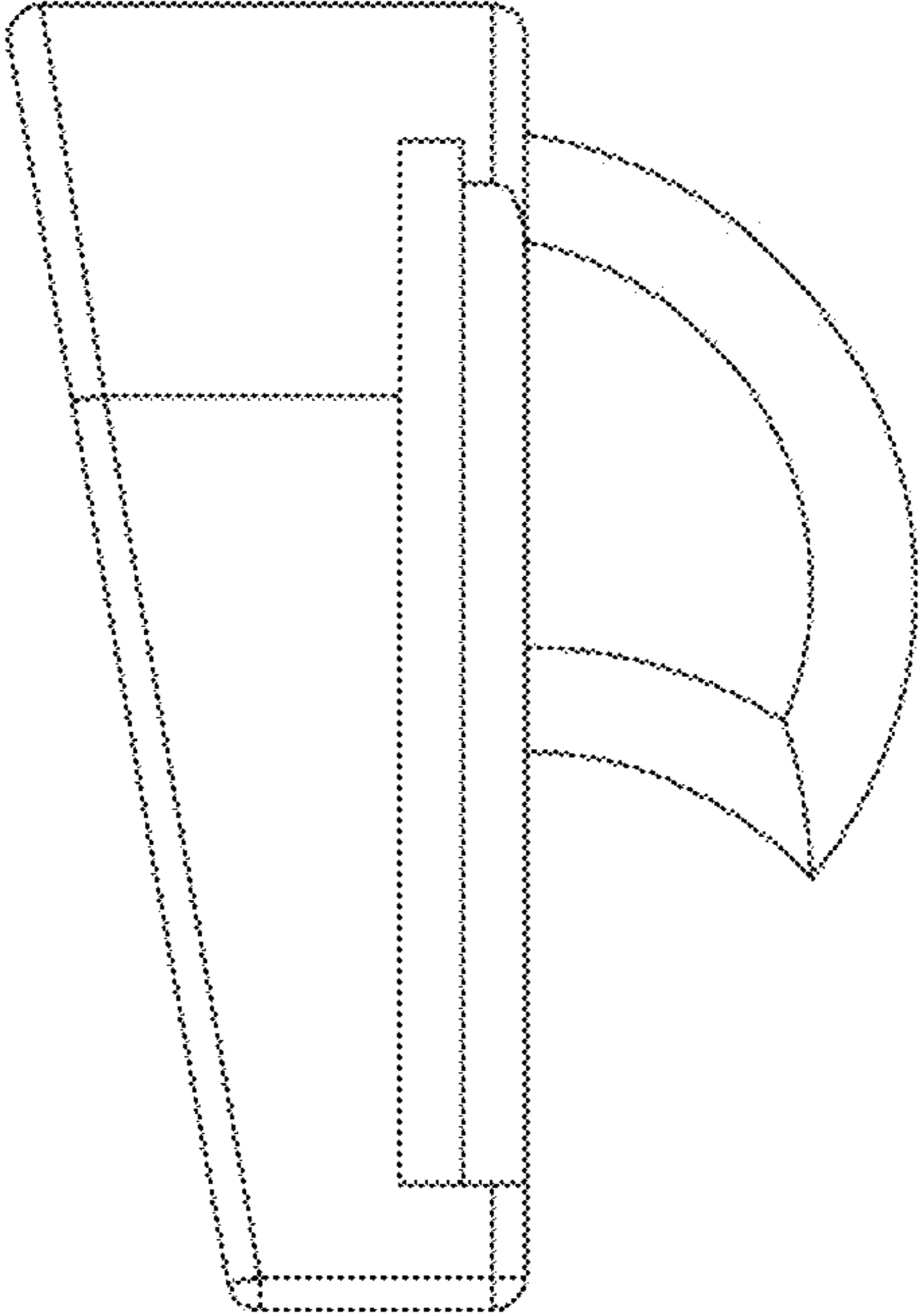


FIGURE 2

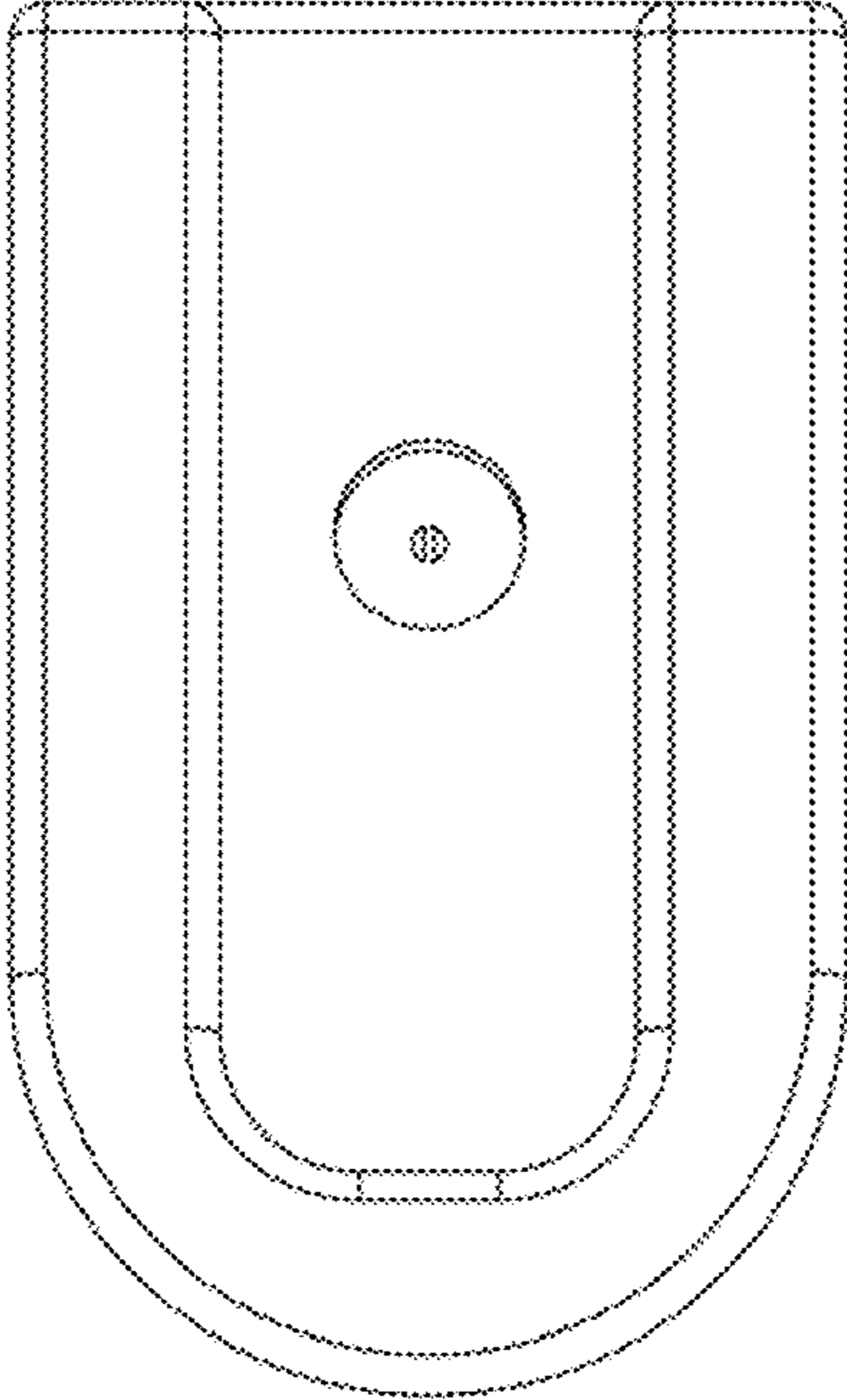


FIGURE 3

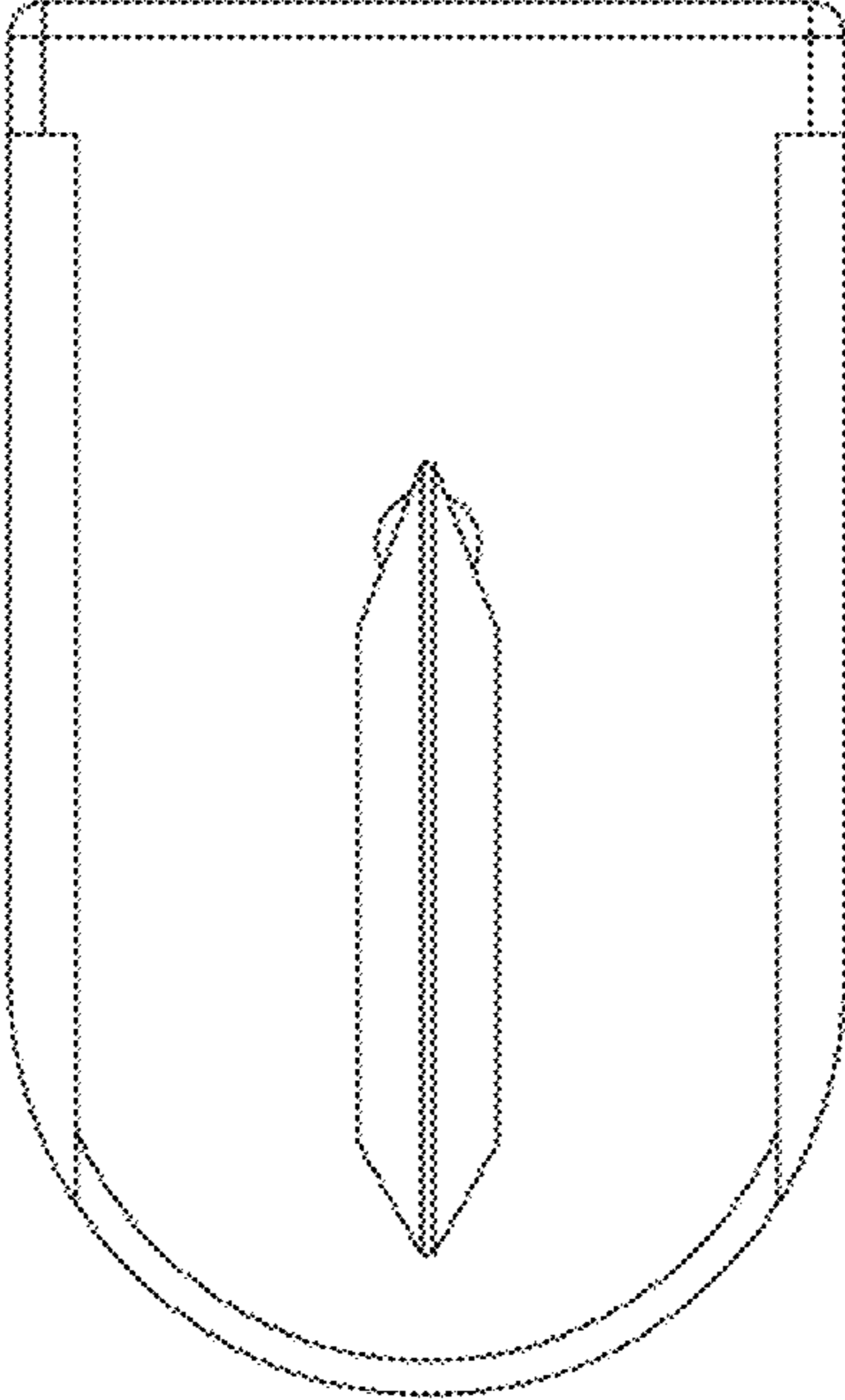


FIGURE 4

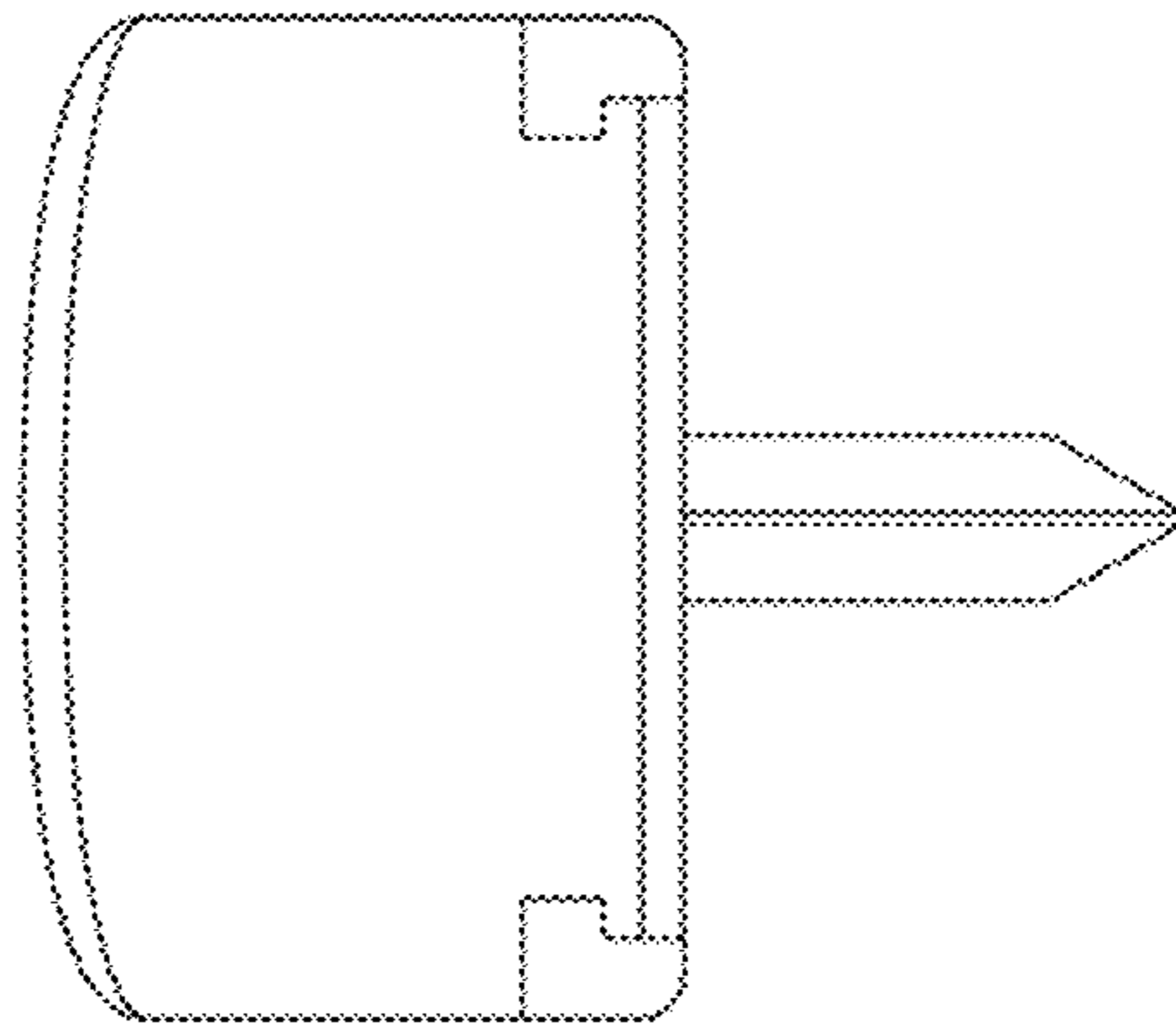


FIGURE 5

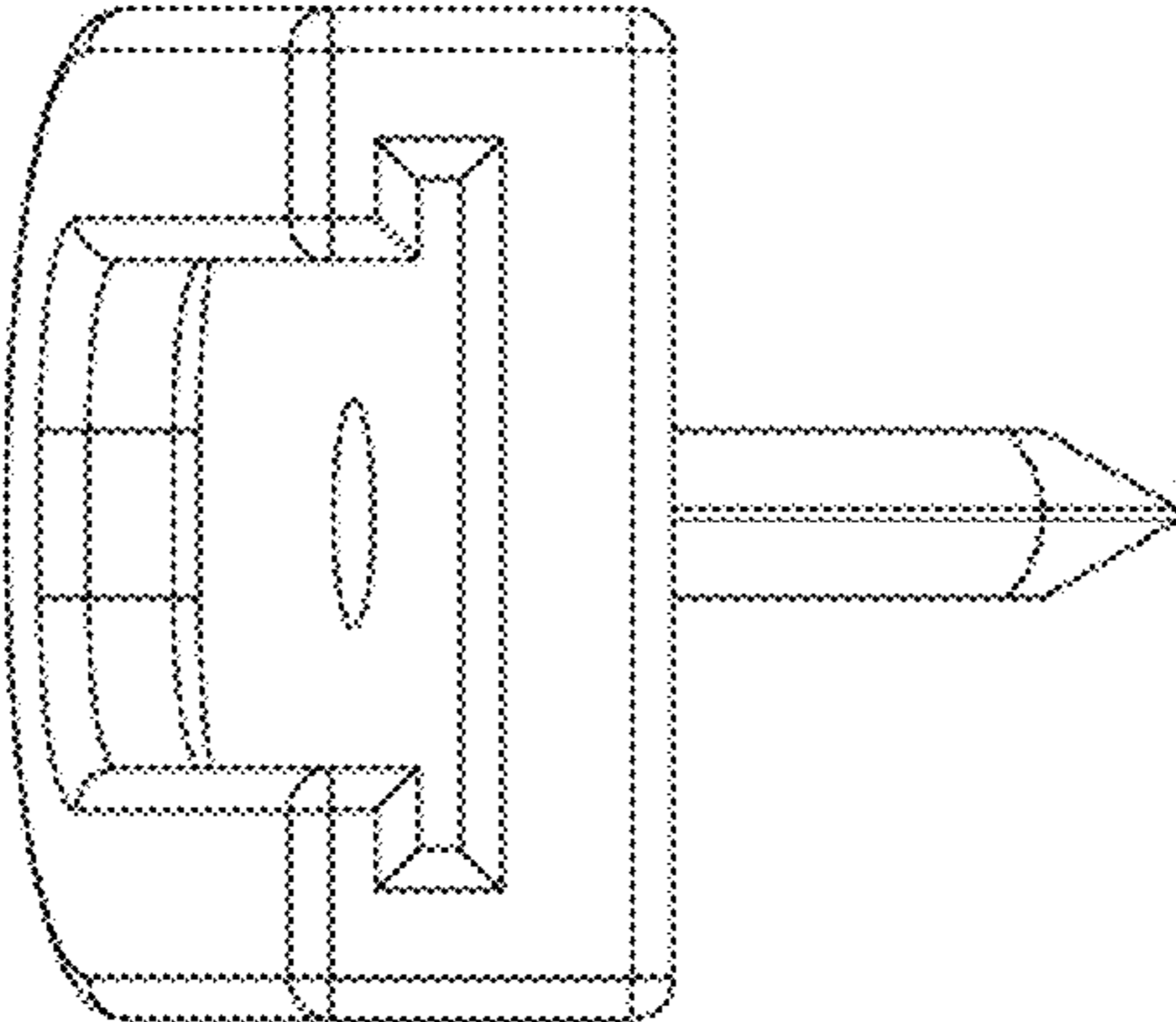


FIGURE 6

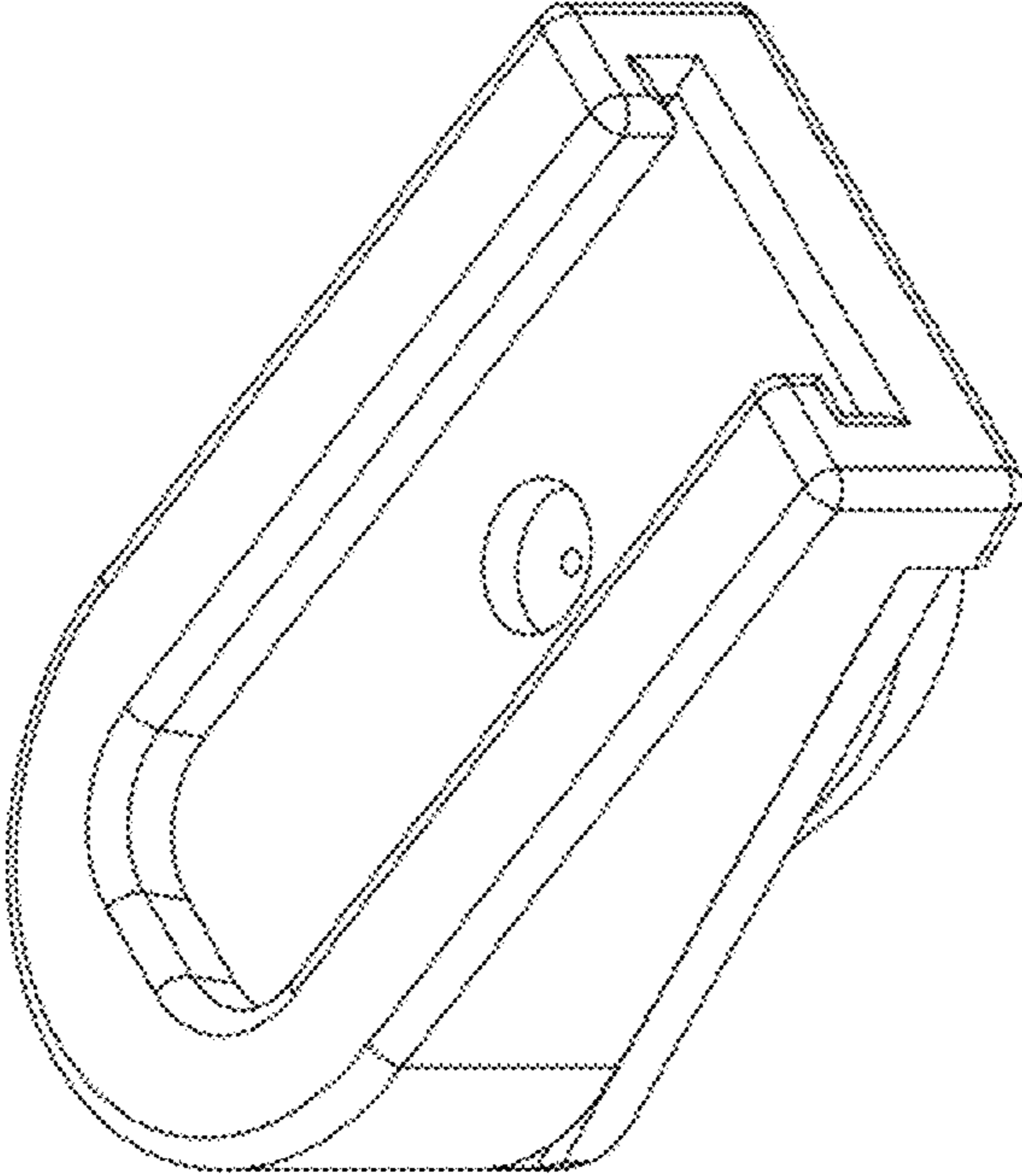


FIGURE 7



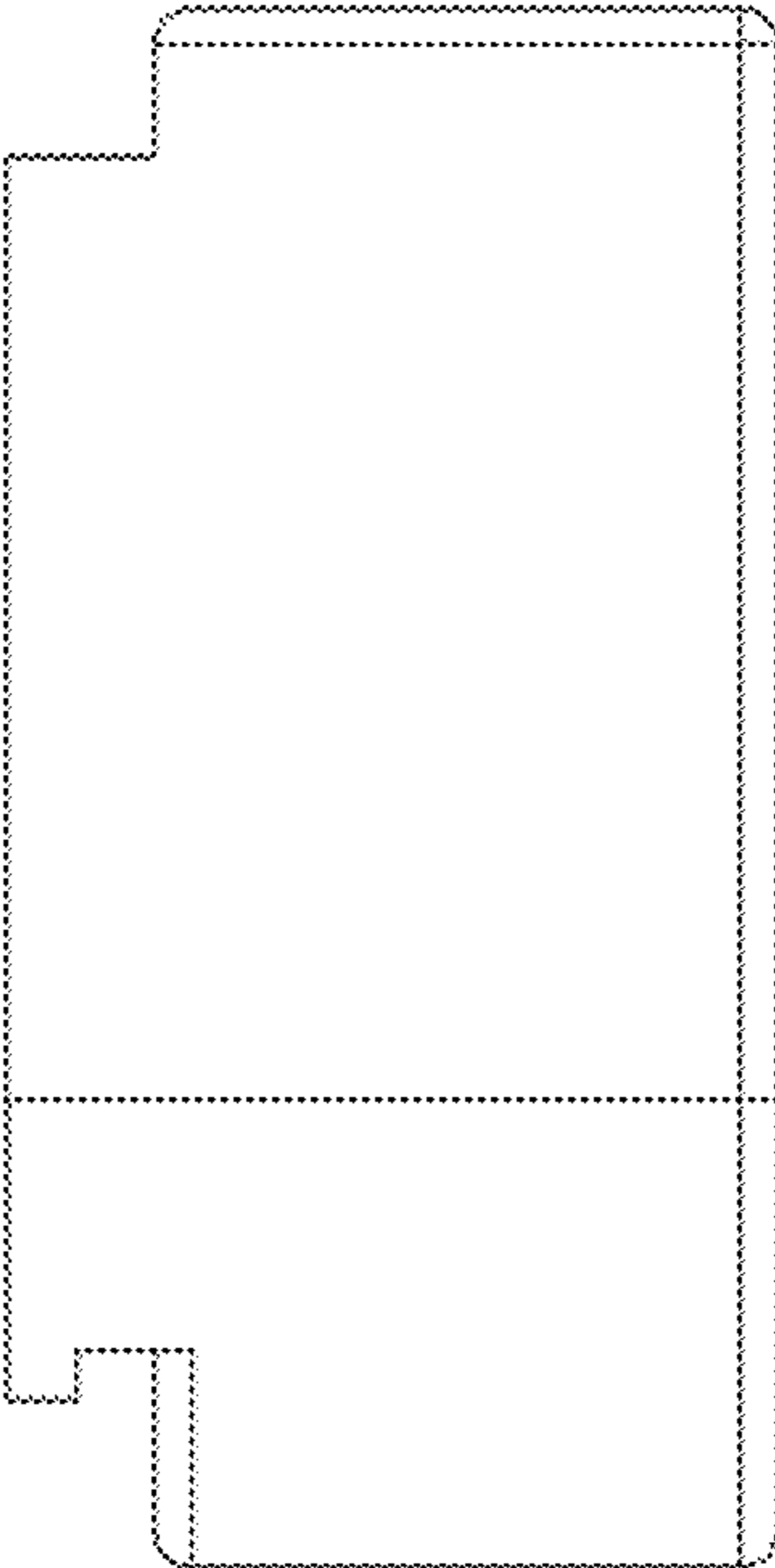
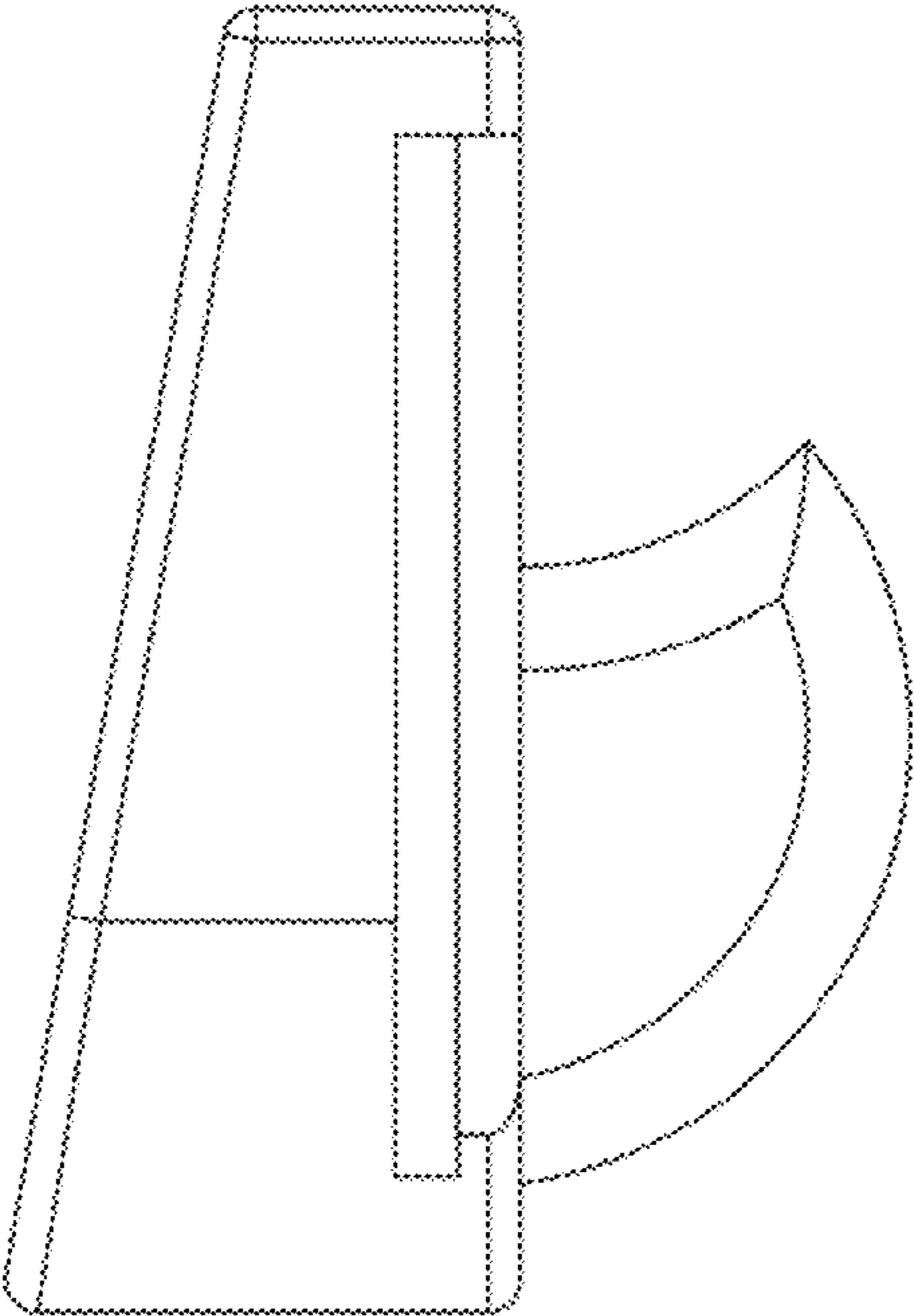


FIGURE 8

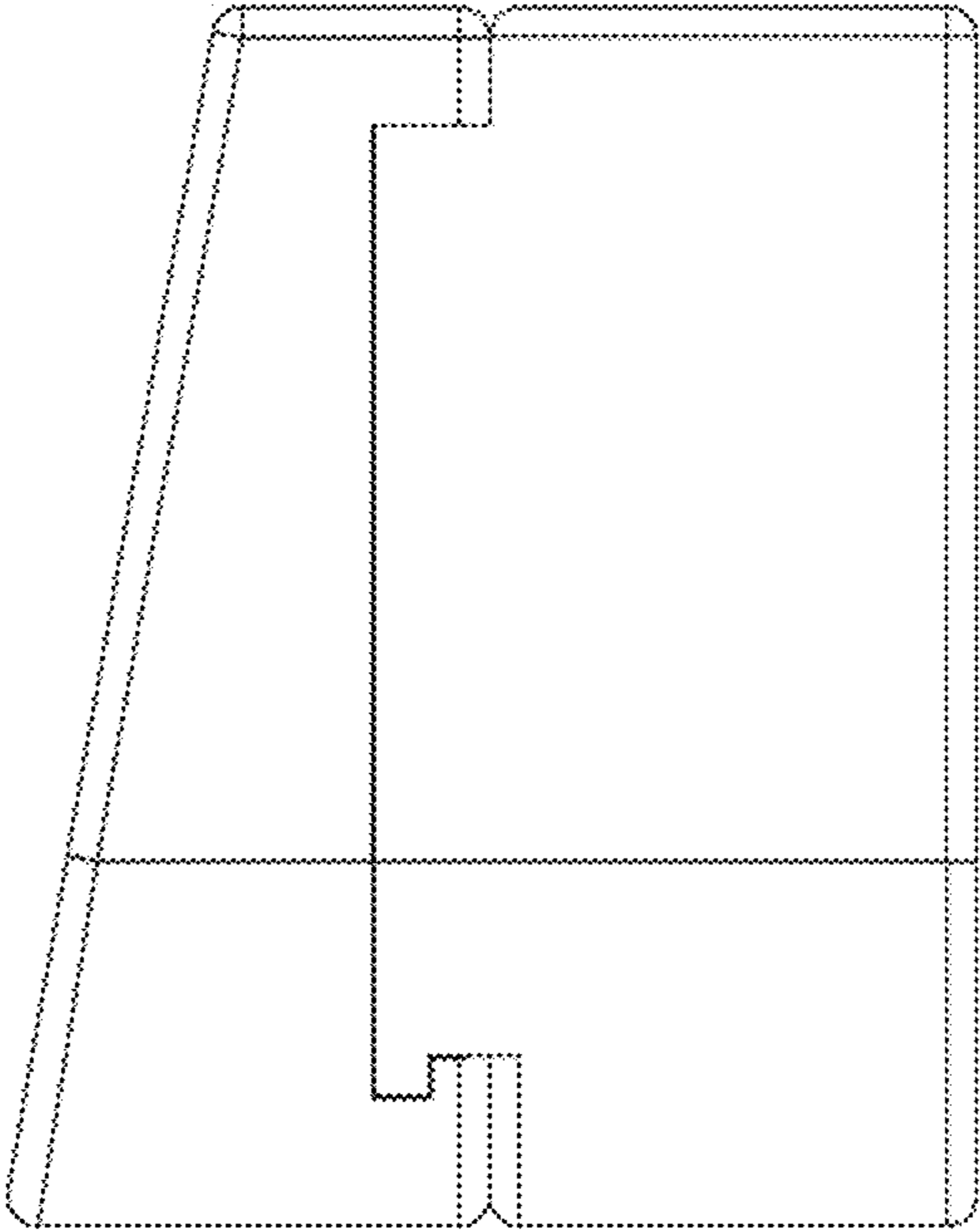


FIGURE 9

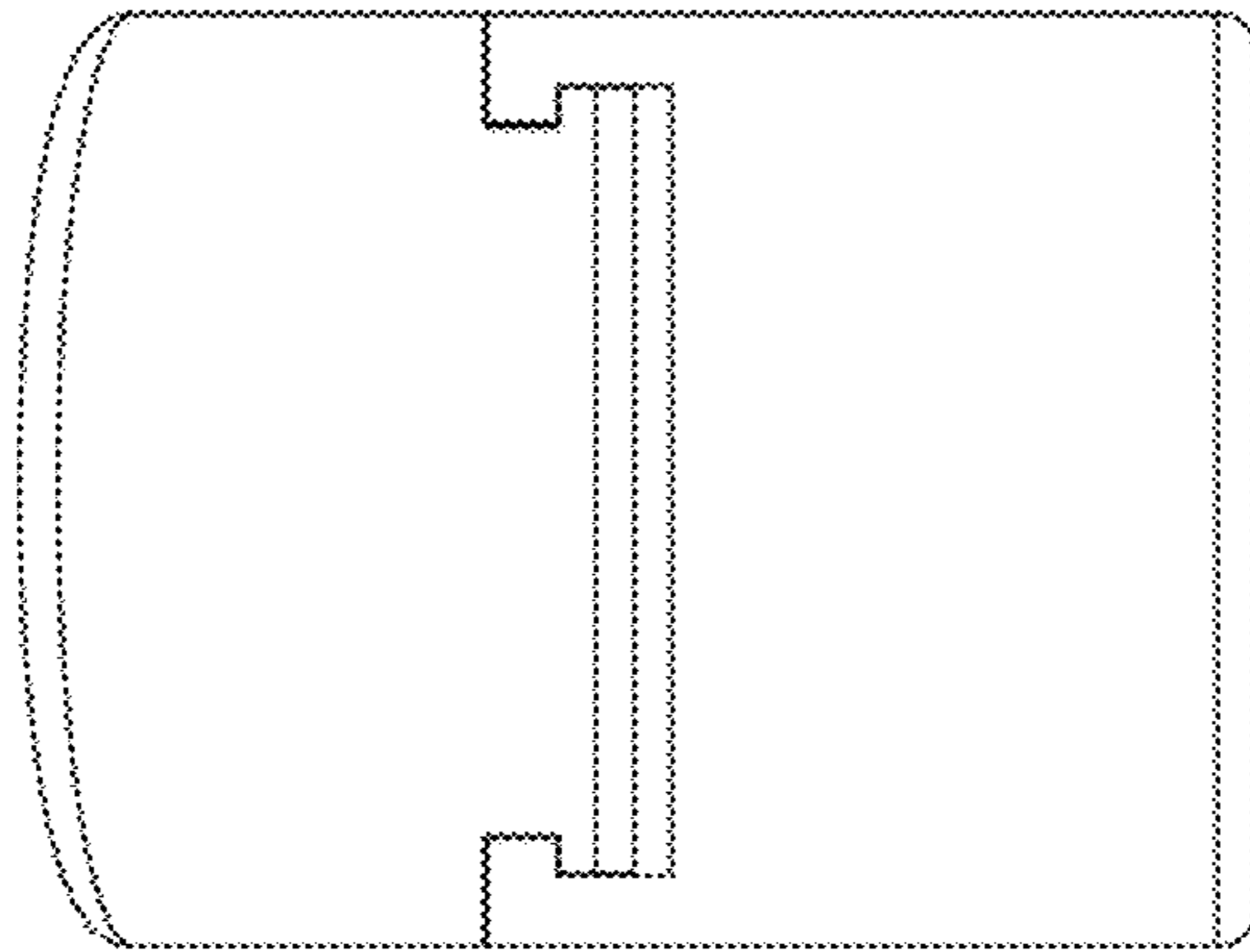


FIGURE 10

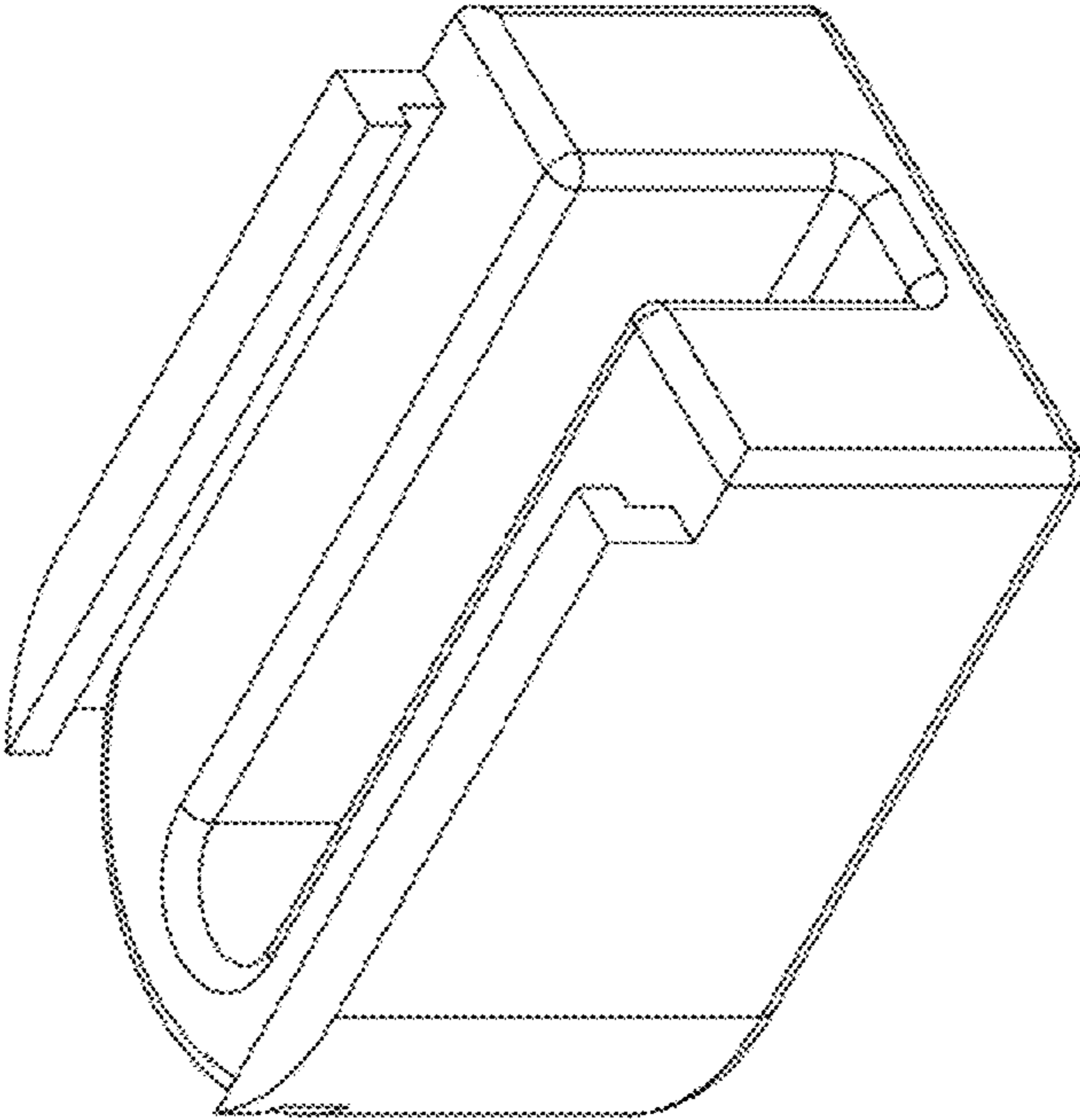


FIGURE 11