



US00D770001S

(12) **United States Design Patent** (10) **Patent No.:** **US D770,001 S**
Nicklos et al. (45) **Date of Patent:** **** Oct. 25, 2016**

- (54) **GRENADE LAUNCHER**
- (71) Applicant: **Amtec Less Lethal Systems, Inc.**,
Perry, FL (US)
- (72) Inventors: **Adam Nicklos**, Felda, FL (US);
Maxwell Lowther, Naples, FL (US)
- (73) Assignee: **AMTEC LESS LETHAL SYSTEMS,**
INC., Perry, FL (US)
- (**) Term: **14 Years**
- (21) Appl. No.: **29/519,212**
- (22) Filed: **Mar. 3, 2015**
- (51) **LOC (10) Cl.** **22-01**
- (52) **U.S. Cl.**
USPC **D22/103**
- (58) **Field of Classification Search**
USPC D22/103, 108
CPC F41C 7/025; F41C 7/11; F41C 27/06
See application file for complete search history.

- (56) **References Cited**
- U.S. PATENT DOCUMENTS
- 5,832,911 A * 11/1998 Mayville F41B 11/51
124/53.5
- 7,487,612 B2 * 2/2009 Macaluso F41C 7/025
42/10
- 8,707,939 B2 * 4/2014 Chu F41A 9/26
124/45
- 2016/0153744 A1 * 6/2016 Teetzel F41C 27/06
42/105

- OTHER PUBLICATIONS
- Penn Arms, TL1 37mm Launcher Product Sheet, Nov. 8, 2010, 1 page.
- Amtec Less-Lethal Systems, 37mm Tactical Launcher Product Sheet, © 2011, 1 page.
- RM Equipment, M203PI EGLM 40mm Tactical Grenade Launcher System Product Sheet, © 2012, 1 page.

- Penn Arms, GL1—Compact 40 mm Launcher Product Sheet, Nov. 8, 2010, 1 page.
- Amtec Less-Lethal Systems, 40mm Tactical Launcher Product Sheet, © 2011, 1 page.
- B&D Ordnance by Design, TBL-37 Top Break 37mm Launcher Web page printed Mar. 6, 2015, 2 pages.
- Heckler & Koch HK69A1 [Heavy Weapons] Web page printed Mar. 6, 2015, 2 pages.
- The Safariland Group Launcher Web page printed Mar. 6, 2015, 2 pages.
- Sage Control Ordnance, Inc. Launchers Web page printed Mar. 6, 2015, 2 pages.

(Continued)

Primary Examiner — Michael A Pratt
(74) *Attorney, Agent, or Firm* — Patterson Thuent Pedersen, P.A.

(57) **CLAIM**
We claim the ornamental design for grenade launcher, as shown and described.

DESCRIPTION

FIG. 1 is a perspective view of a grenade launcher according to an embodiment of the invention.

FIG. 2 is a right side view of the grenade launcher depicted in FIG. 1.

FIG. 3 is a front view of the grenade launcher depicted in FIG. 1.

FIG. 4 is a rear view of the grenade launcher depicted in FIG. 1.

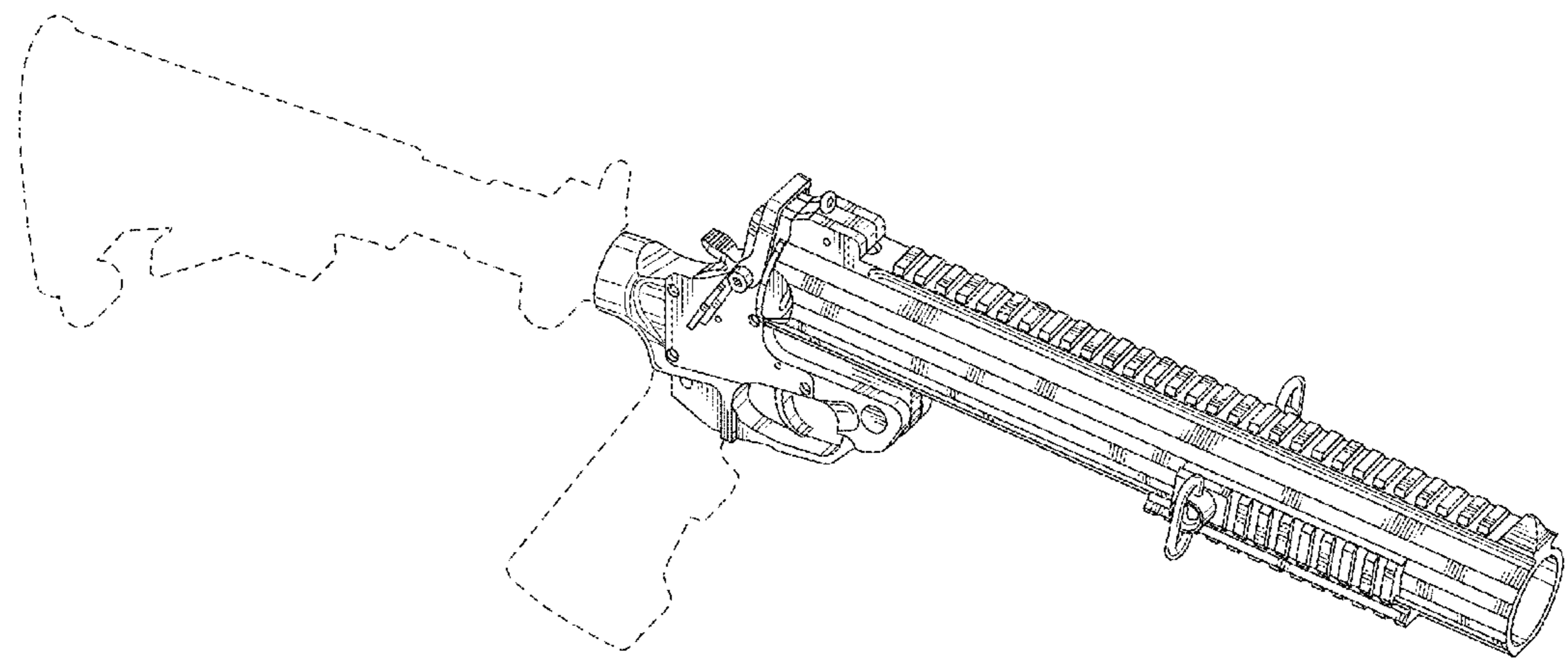
FIG. 5 is a left side view of the grenade launcher depicted in FIG. 1.

FIG. 6 is a top view of the grenade launcher depicted in FIG. 1; and,

FIG. 7 is a bottom view of the grenade launcher depicted in FIG. 1.

Items shown in broken lines are for illustrative purposes only and form no part of the claimed invention.

1 Claim, 4 Drawing Sheets



(56)

References Cited

OTHER PUBLICATIONS

ALS Less-Lethal Launchers & Munitions, "Tactical Response,"
May-Jun. 2012, 7 pages.

Wong, Jason M., Lewis Machine & Tool and ALS Technologies,
Teaming Up to Build a Single Shot 40 mm Grenade Launcher, *Small
Arms Review*, vol. 15, No. 5, Feb. 2012, pp. 104-105.

* cited by examiner

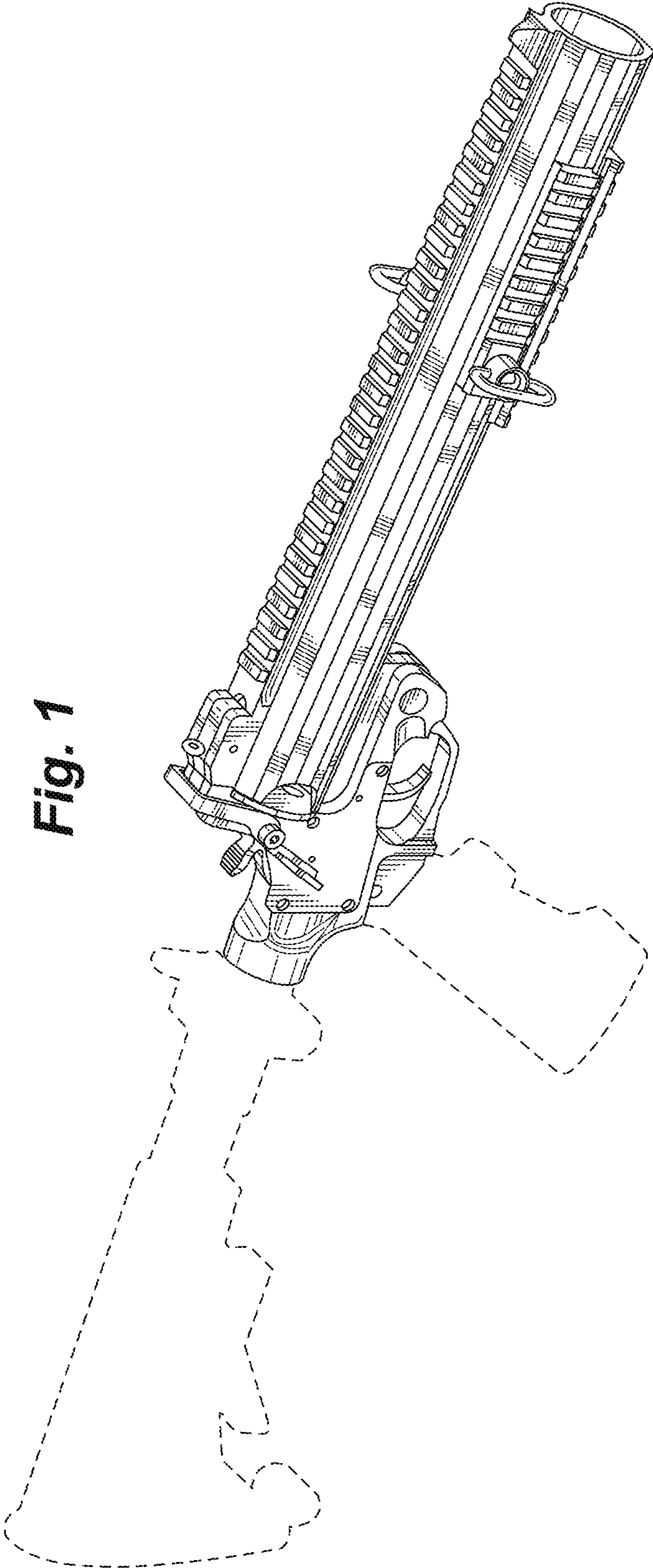
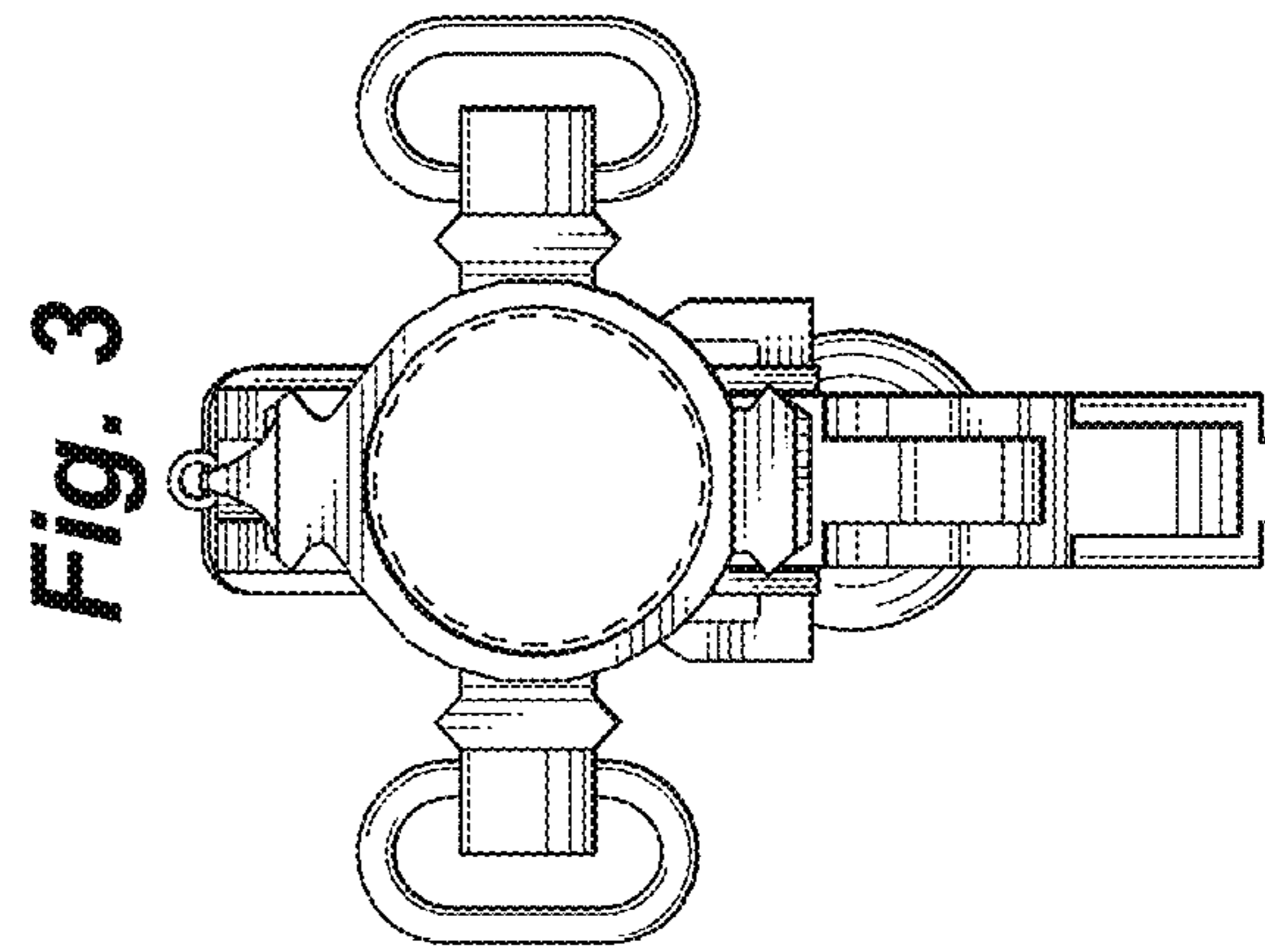
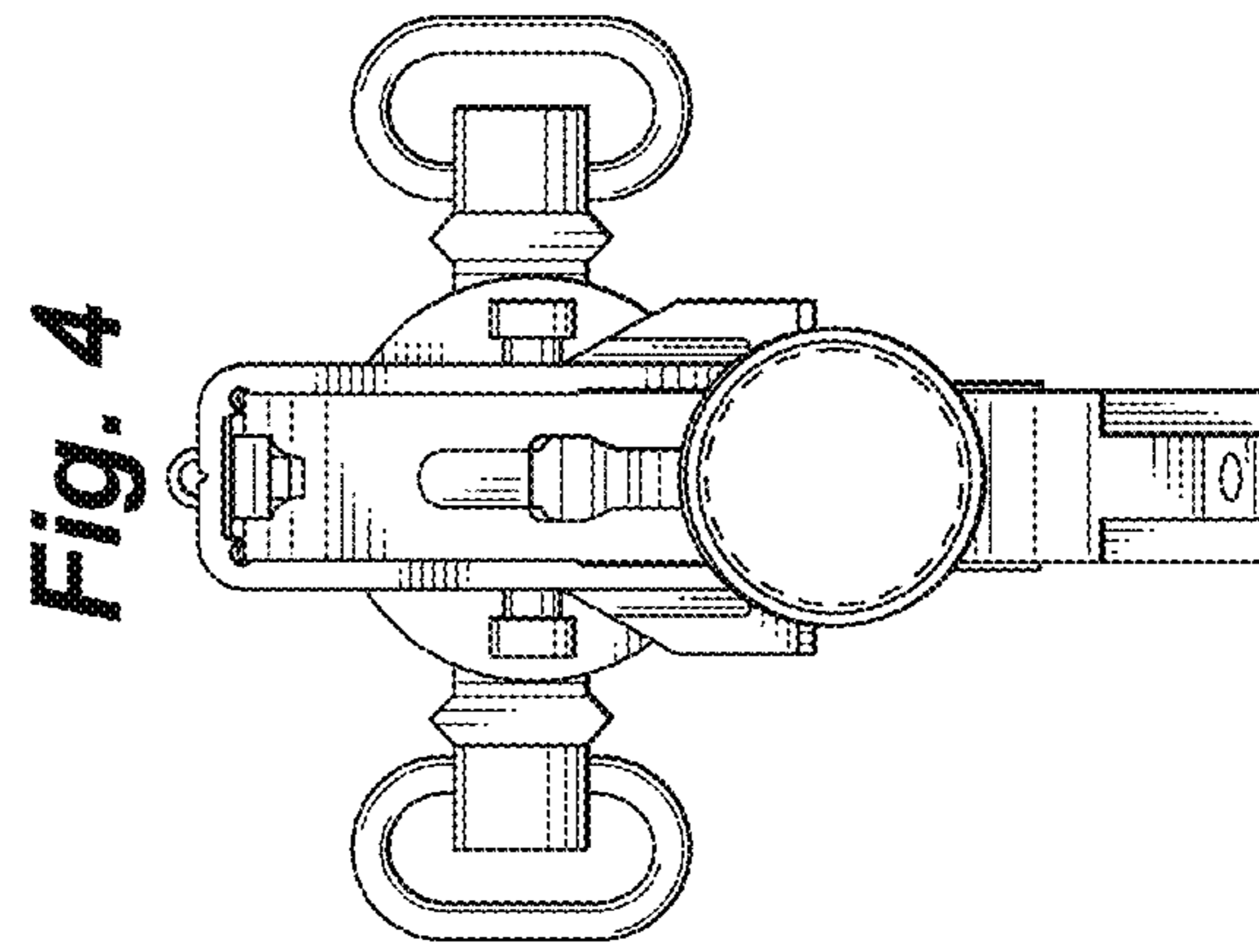
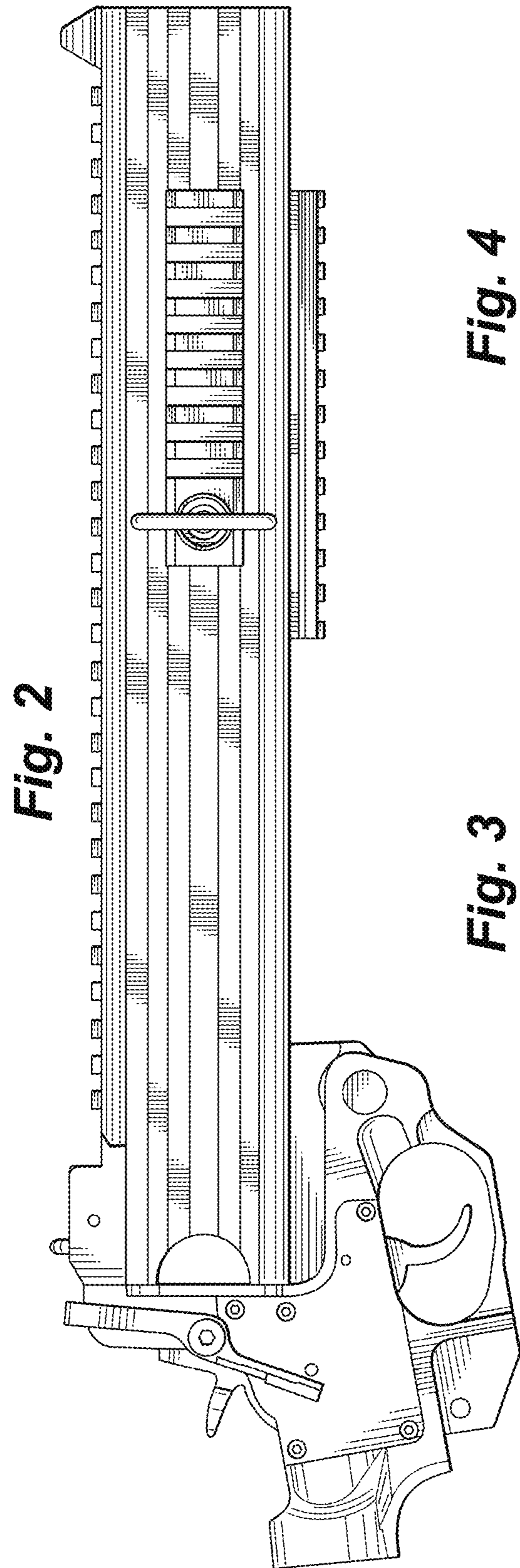


Fig. 1



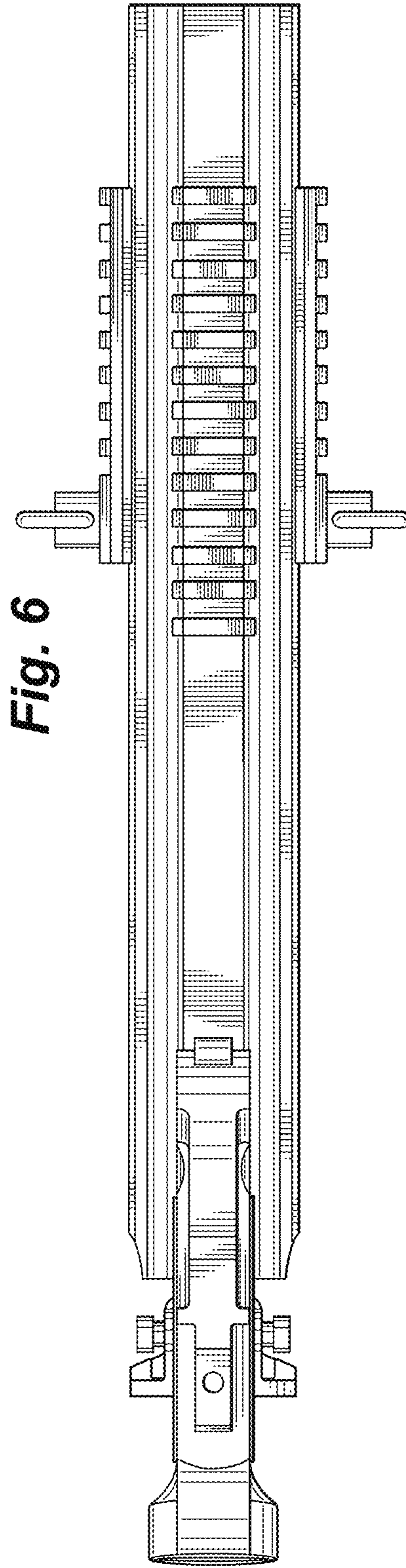
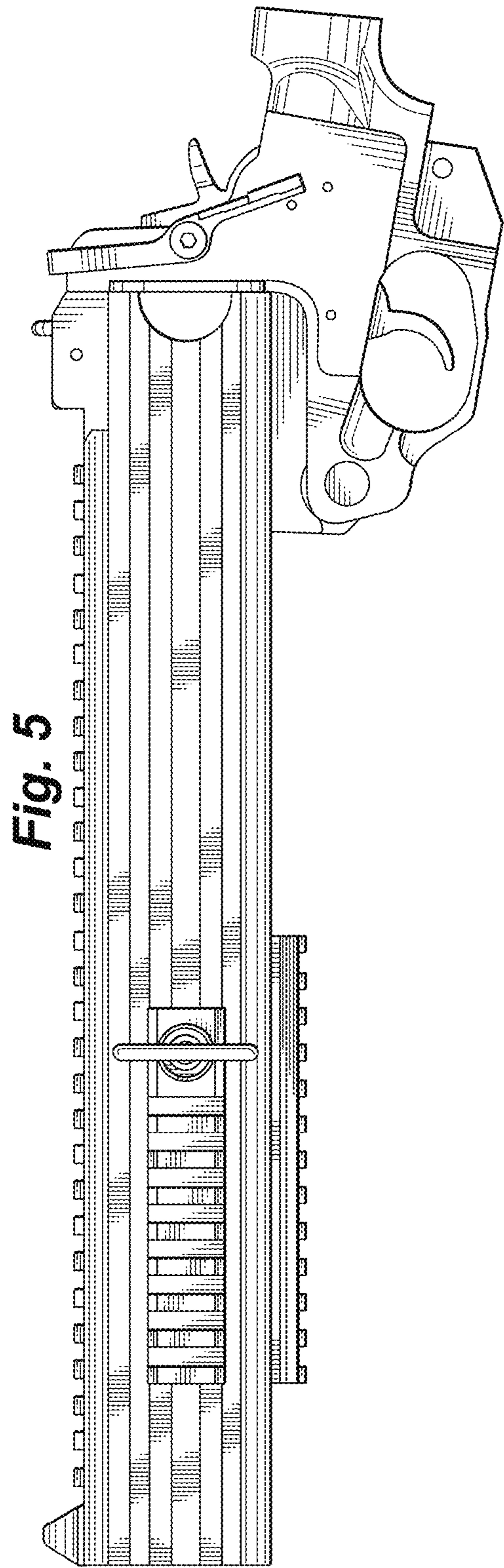


Fig. 7

