



US00D770000S

(12) **United States Design Patent**  
**Serventi**

(10) **Patent No.:** **US D770,000 S**  
(45) **Date of Patent:** **\*\* Oct. 25, 2016**

- (54) **MERRY GO ROUND SEAT**
- (71) Applicant: **ANTONIO ZAMPERLA S.p.A.**,  
Altavilla Vicentina (VI) (IT)
- (72) Inventor: **Roberto Serventi**, Arcugnago (IT)
- (73) Assignee: **ANTONIA ZAMPERLA S.P.A.**,  
Altavilla Vicentina (VI) (IT)
- (\*\*) Term: **14 Years**
- (21) Appl. No.: **29/525,376**
- (22) Filed: **Apr. 29, 2015**

3,011,825	A *	12/1961	Hannas	.....	A63G 9/00 297/245
D193,195	S *	7/1962	Ahrens	.....	D21/829
3,147,972	A *	9/1964	Borsuk	.....	A63G 1/08 472/29
3,462,140	A *	8/1969	Halaj	.....	A63G 1/12 472/18
4,240,623	A *	12/1980	Edwards	.....	A63G 9/08 472/16
D289,541	S *	4/1987	Forester	.....	D21/829
D315,775	S *	3/1991	Jones	.....	D21/823
D338,702	S *	8/1993	Ligas	.....	D21/830
D376,186	S *	12/1996	Penney	.....	D21/814
D428,638	S *	7/2000	Tucker	.....	D21/830
D499,163	S *	11/2004	Stephens	.....	D21/830
D589,111	S *	3/2009	Stephens	.....	D21/830
D697,572	S *	1/2014	Martin	.....	D21/830

\* cited by examiner

(30) **Foreign Application Priority Data**

- Oct. 29, 2014 (EM) ..... 002567180-0002
- (51) **LOC (10) Cl.** ..... **21-03**
- (52) **U.S. Cl.**  
USPC ..... **D21/830**
- (58) **Field of Classification Search**  
USPC ..... D21/828-833, 811, 814, 823-825  
CPC .. A63G 1/00; A63G 1/24-1/38; A63G 3/00;  
A63G 1/12; A63G 1/08; A63G 9/00-9/08  
See application file for complete search history.

*Primary Examiner* — Mitchell Siegel

(74) *Attorney, Agent, or Firm* — Lucas & Mercanti, LLP

(57) **CLAIM**

The ornamental design for a merry go round seat, as shown and described.

**DESCRIPTION**

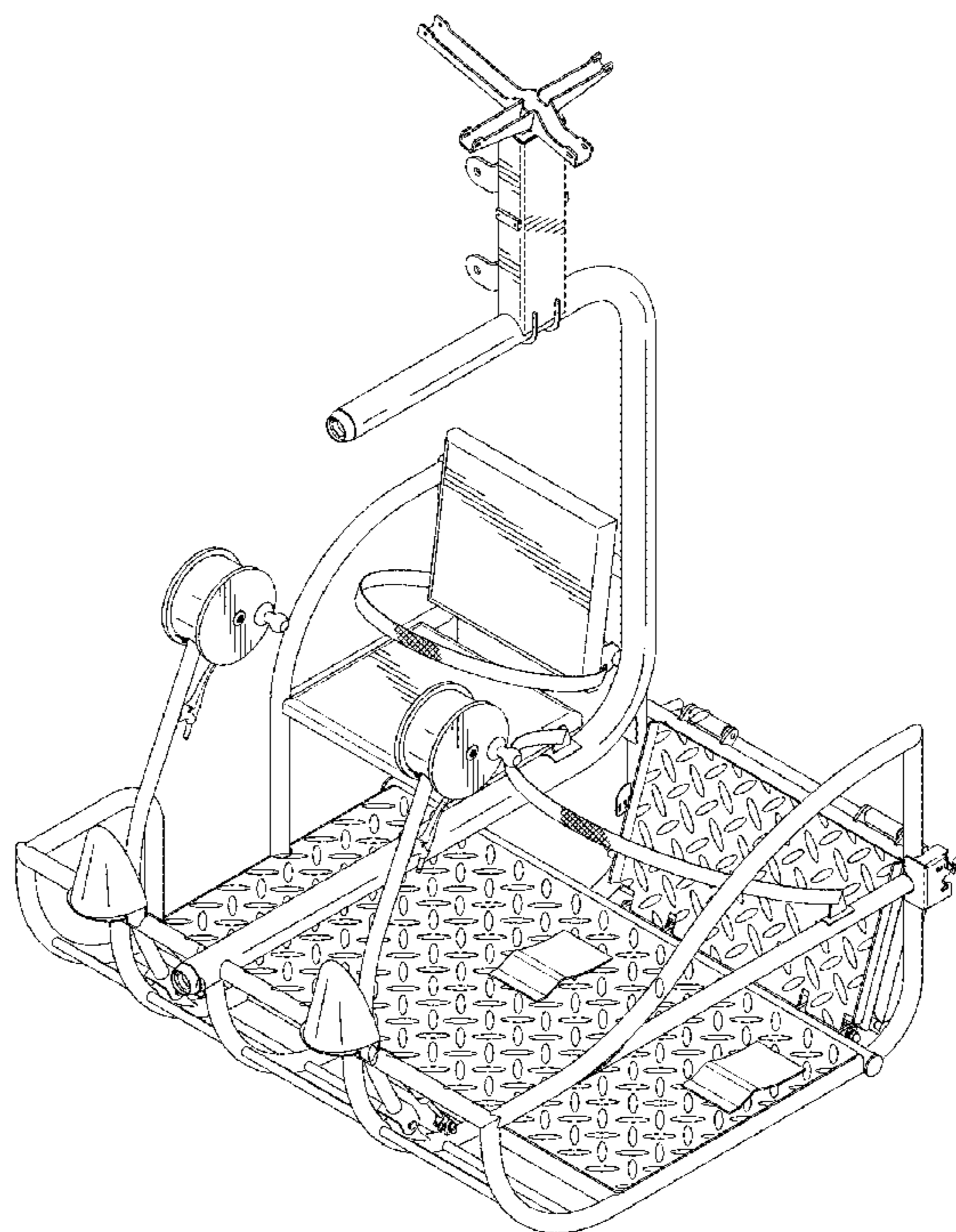
FIG. 1 is a front view of a merry go round seat according to the design;  
 FIG. 2 is a rear view thereof;  
 FIG. 3 is a right side view, with the opposite side being a mirror image thereof;  
 FIG. 4 is a bottom view thereof;  
 FIG. 5 is a top view thereof;  
 FIG. 6 is a rear perspective view thereof; and,  
 FIG. 7 is a right perspective view thereof.

(56) **References Cited**

**U.S. PATENT DOCUMENTS**

2,142,169	A *	1/1939	Bisch	.....	A63G 1/28 434/55
D148,889	S *	3/1948	Sebel	.....	D21/830

**1 Claim, 7 Drawing Sheets**



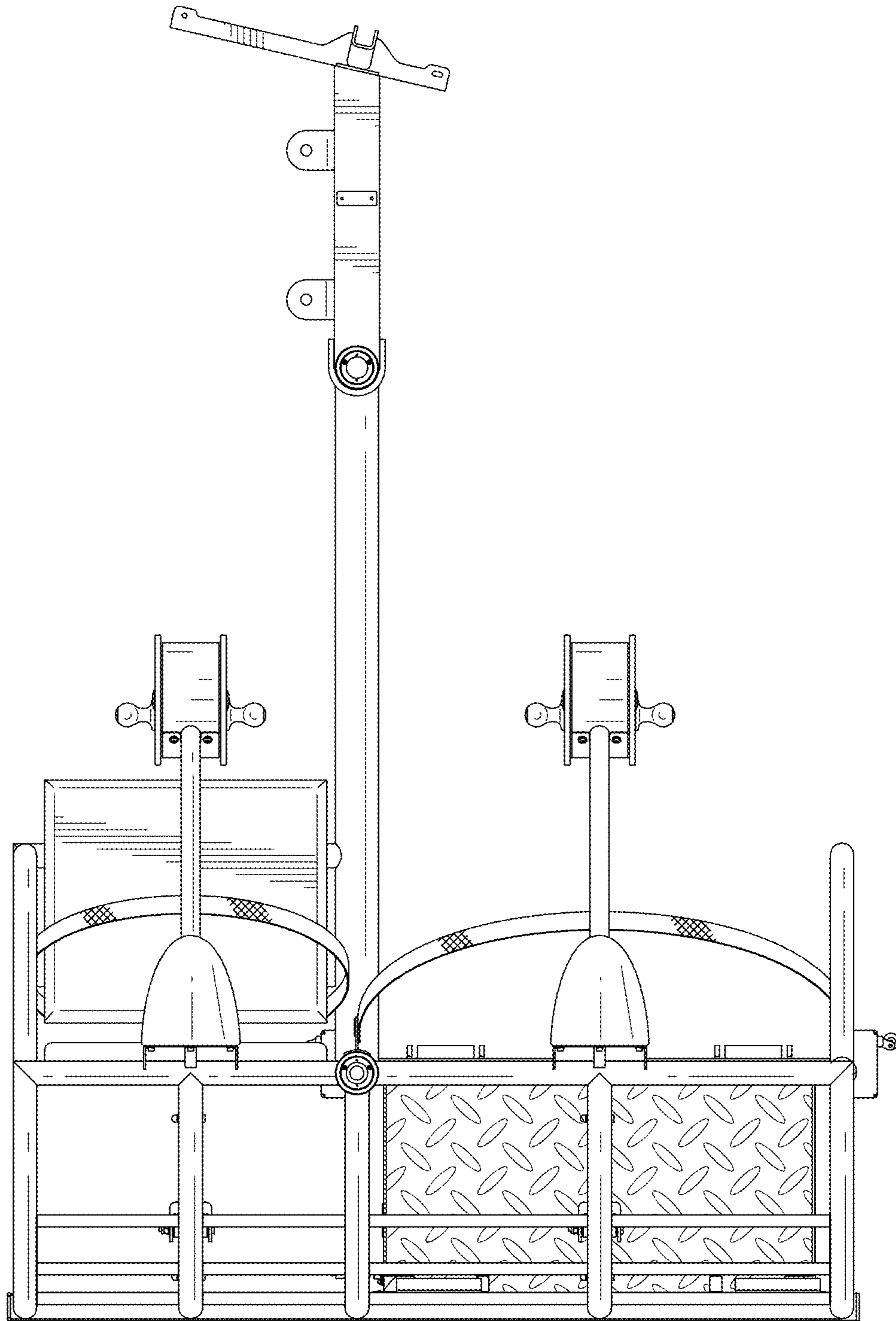


FIG. 1

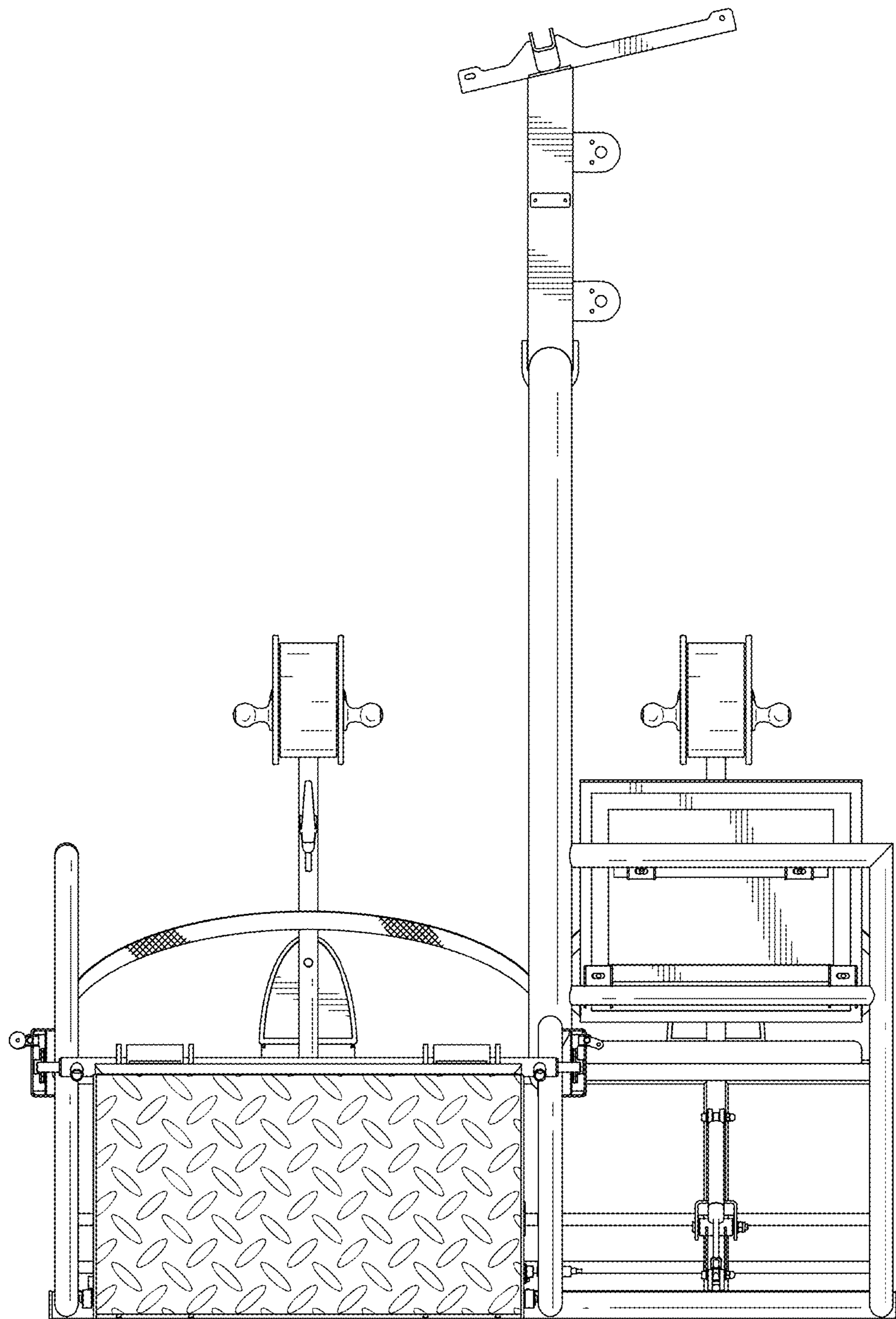


FIG. 2

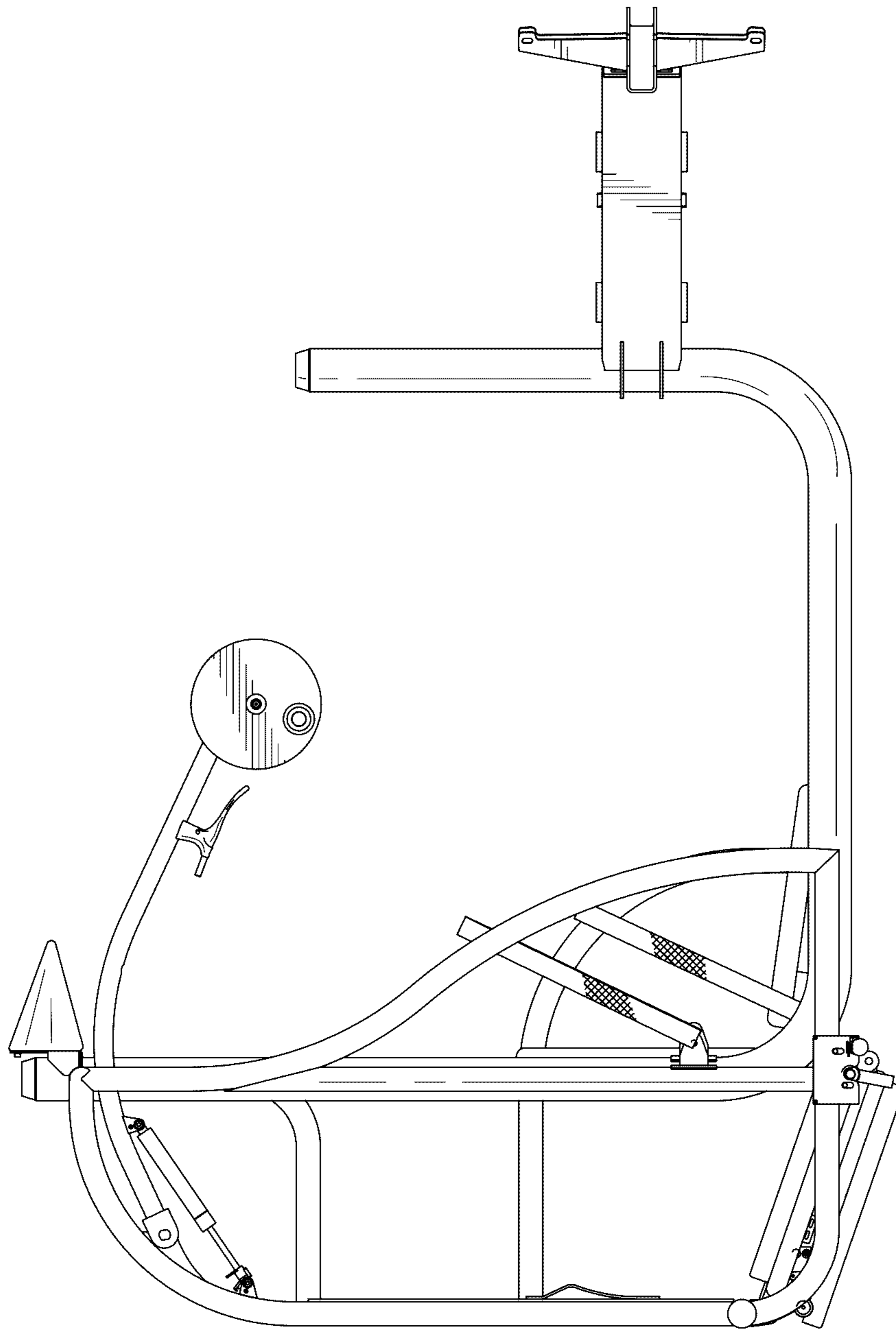


FIG. 3

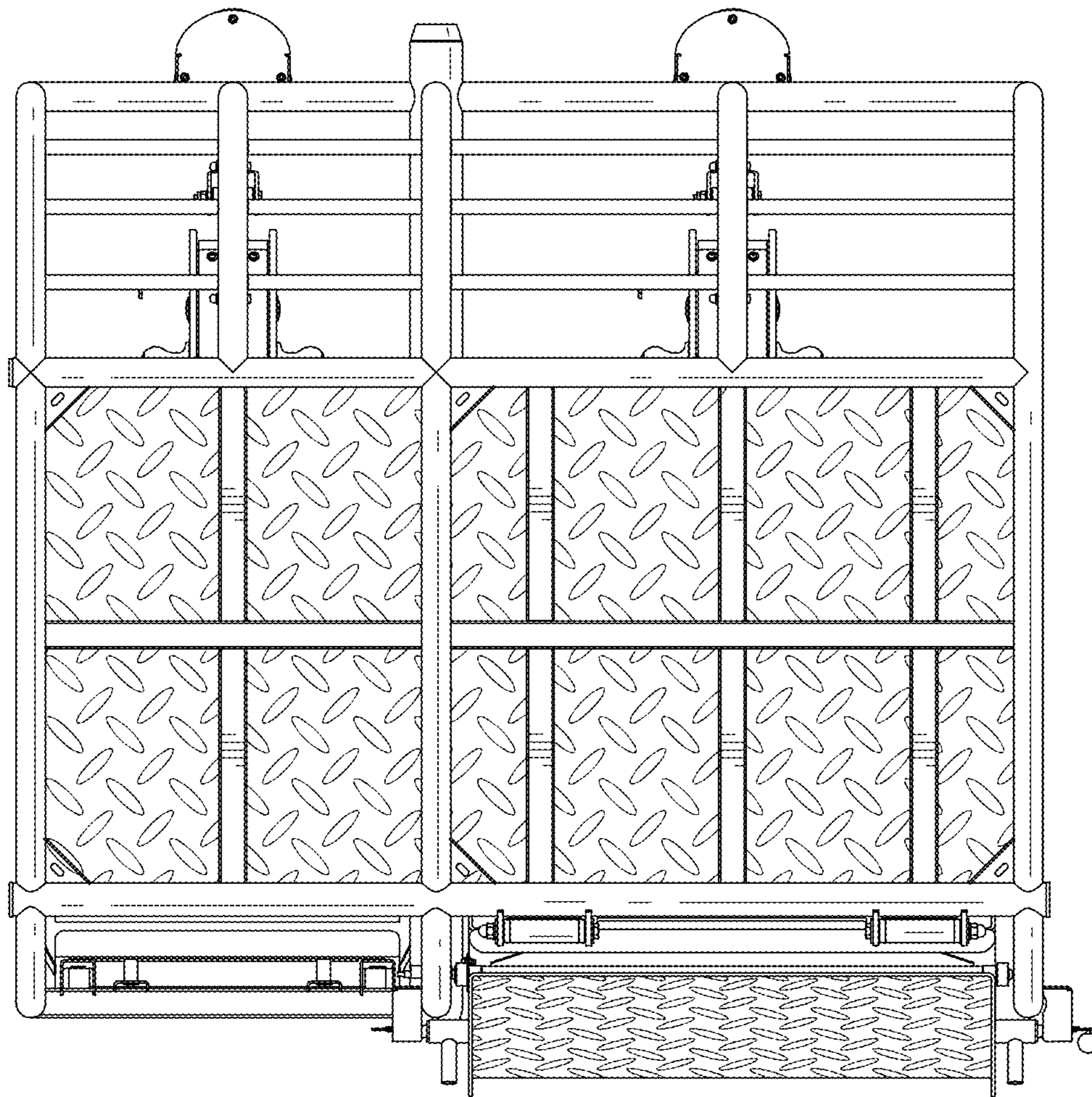


FIG. 4

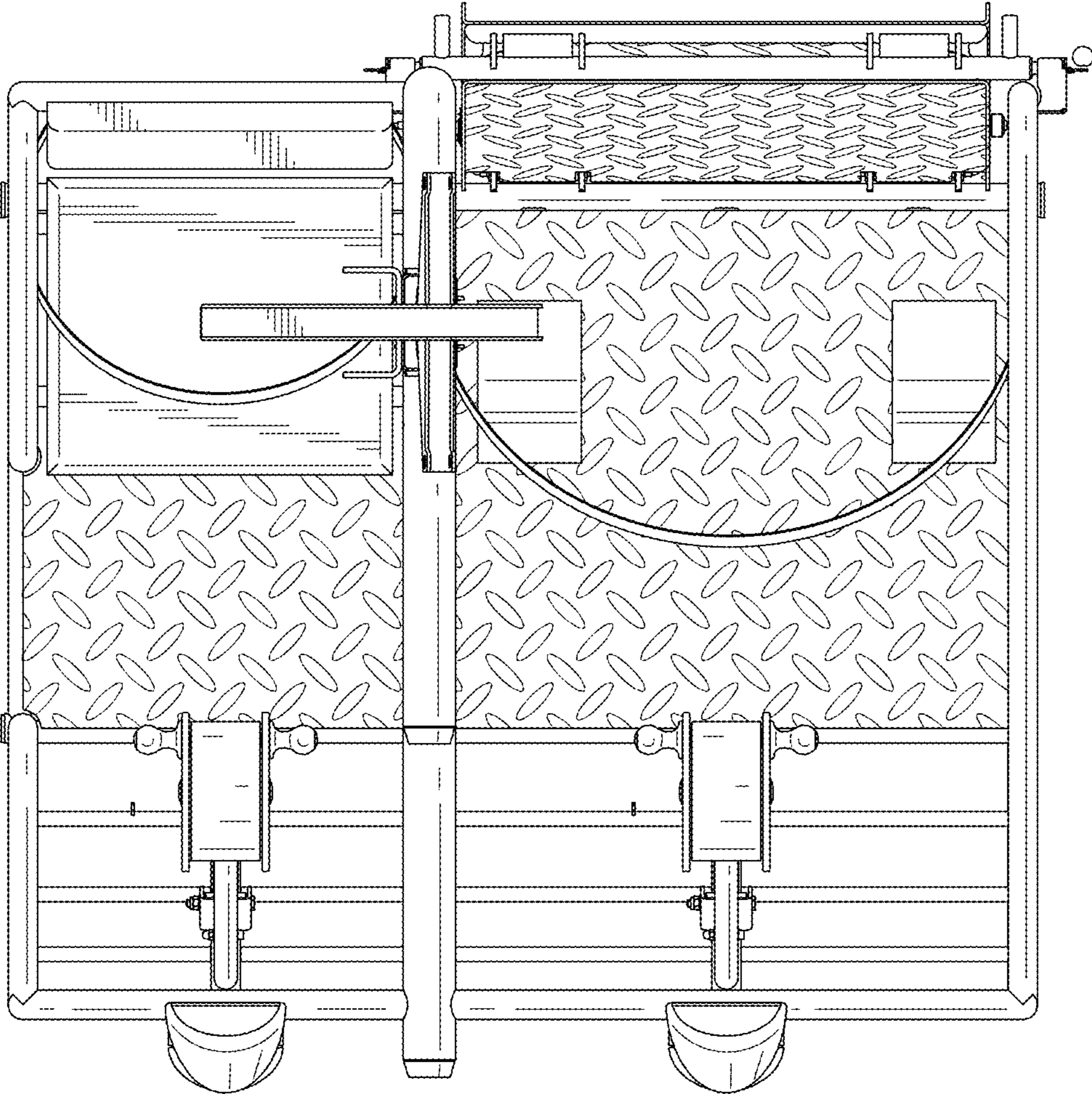


FIG. 5

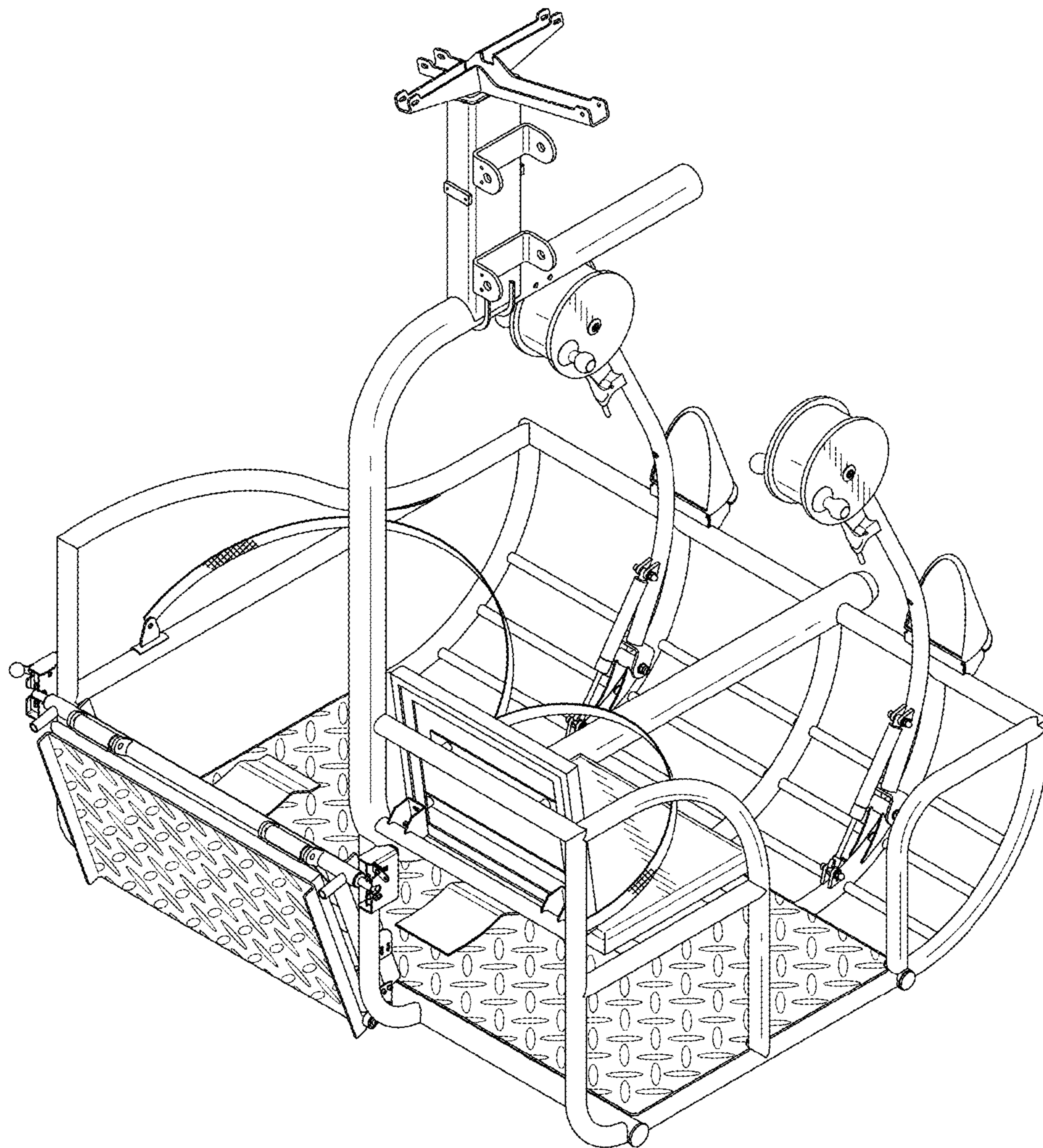


FIG. 6

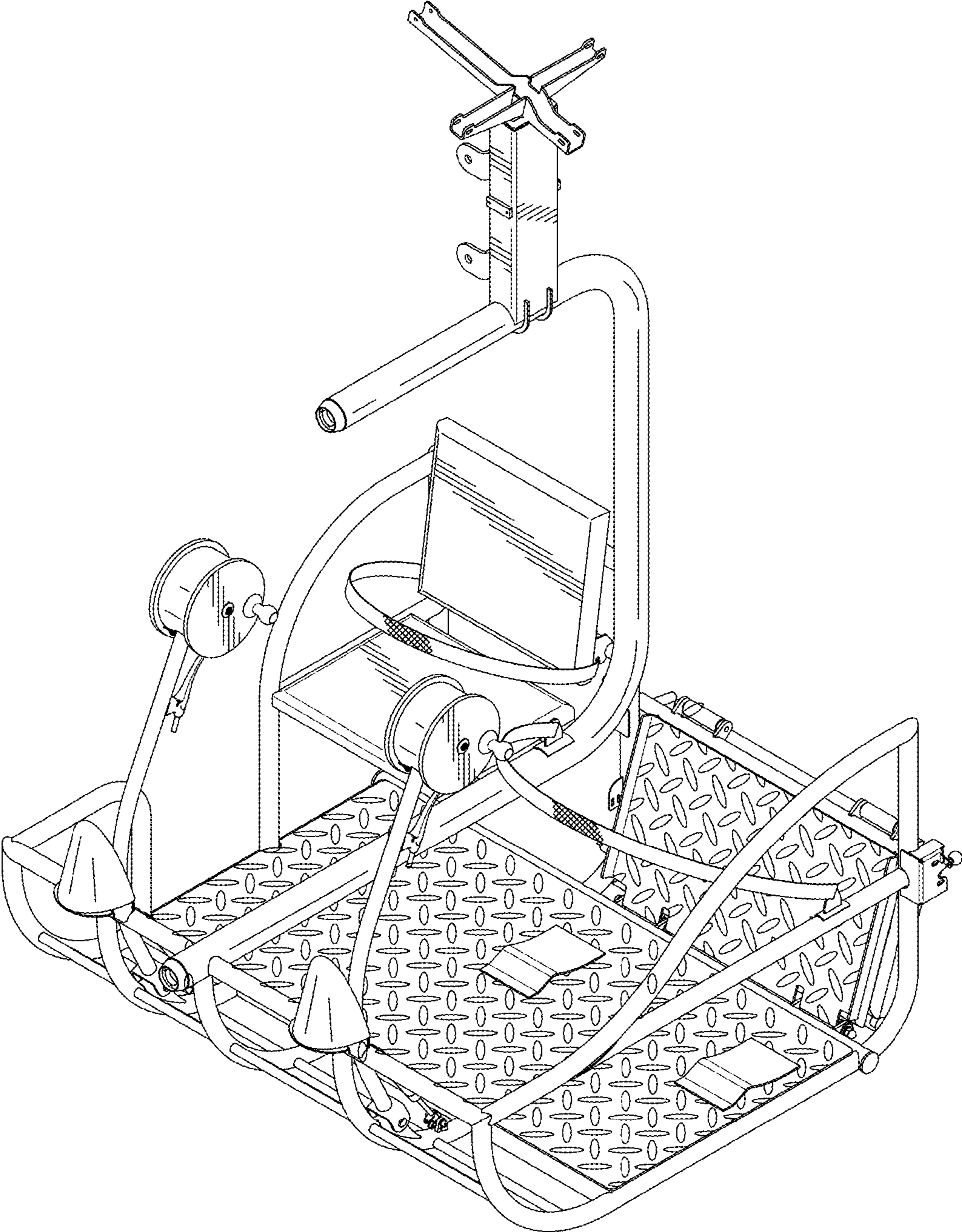


FIG. 7