

US00D76997S

(12) **United States Design Patent**  
**Doerksen**

(10) **Patent No.:** **US D769,997 S**  
(45) **Date of Patent:** **\*\* Oct. 25, 2016**

(54) **SKATEBOARD**

(71) Applicant: **Future Motion, Inc.**, Santa Cruz, CA  
(US)

(72) Inventor: **Kyle Jonathan Doerksen**, Santa Cruz,  
CA (US)

(73) Assignee: **Future Motion, Inc.**, Santa Cruz, CA  
(US)

(\*\*) Term: **15 Years**

(21) Appl. No.: **29/546,689**

(22) Filed: **Nov. 24, 2015**

**Related U.S. Application Data**

(62) Division of application No. 29/506,782, filed on Oct.  
20, 2014, now Pat. No. Des. 746,928.

(51) **LOC (10) Cl.** ..... **21-02**

(52) **U.S. Cl.**  
USPC ..... **D21/765**

(58) **Field of Classification Search**

USPC ..... D21/419, 421, 423, 426, 662, 760, 765,  
D21/766, 769, 771, 776, 803; D12/1;  
280/7.14, 11.115, 11.19, 11.27, 11.28,  
280/14.21, 79.11, 79.2, 87.01, 87.021,  
280/87.03, 87.041, 87.042, 607, 608, 609,  
280/809; 180/180, 181; 434/247, 253, 258;  
D34/23, 28  
CPC .. A63C 17/01; A63C 17/011; A63C 17/012;  
A63C 17/014; A63C 17/015; A63C 17/02;  
A63C 17/26; A63C 5/003; B60Q 1/326;  
B62K 3/001

See application file for complete search history.

(56) **References Cited**

**U.S. PATENT DOCUMENTS**

D233,619 S 11/1974 Kelling  
4,106,786 A 8/1978 Talbott

4,795,181 A 1/1989 Armstrong  
5,119,277 A 6/1992 Copley et al.  
5,794,730 A 8/1998 Kamen  
6,223,104 B1 4/2001 Kamen et al.  
6,288,505 B1 9/2001 Heinzmann et al.  
6,332,103 B1 12/2001 Steenson, Jr. et al.  
6,408,240 B1 6/2002 Morrell et al.  
6,538,411 B1 3/2003 Field et al.  
6,553,271 B1 4/2003 Morrell

(Continued)

**OTHER PUBLICATIONS**

Jan. 27, 2016, International Search Report of the International  
Searching Authority from the U.S. Receiving Office, in PCT Patent  
Application PCT/US2015/059332, which is an international appli-  
cation of Applicant Future Motion, Inc.

(Continued)

*Primary Examiner* — Cynthia M Chin

(74) *Attorney, Agent, or Firm* — Kolisch Hartwell, P.C.

(57) **CLAIM**

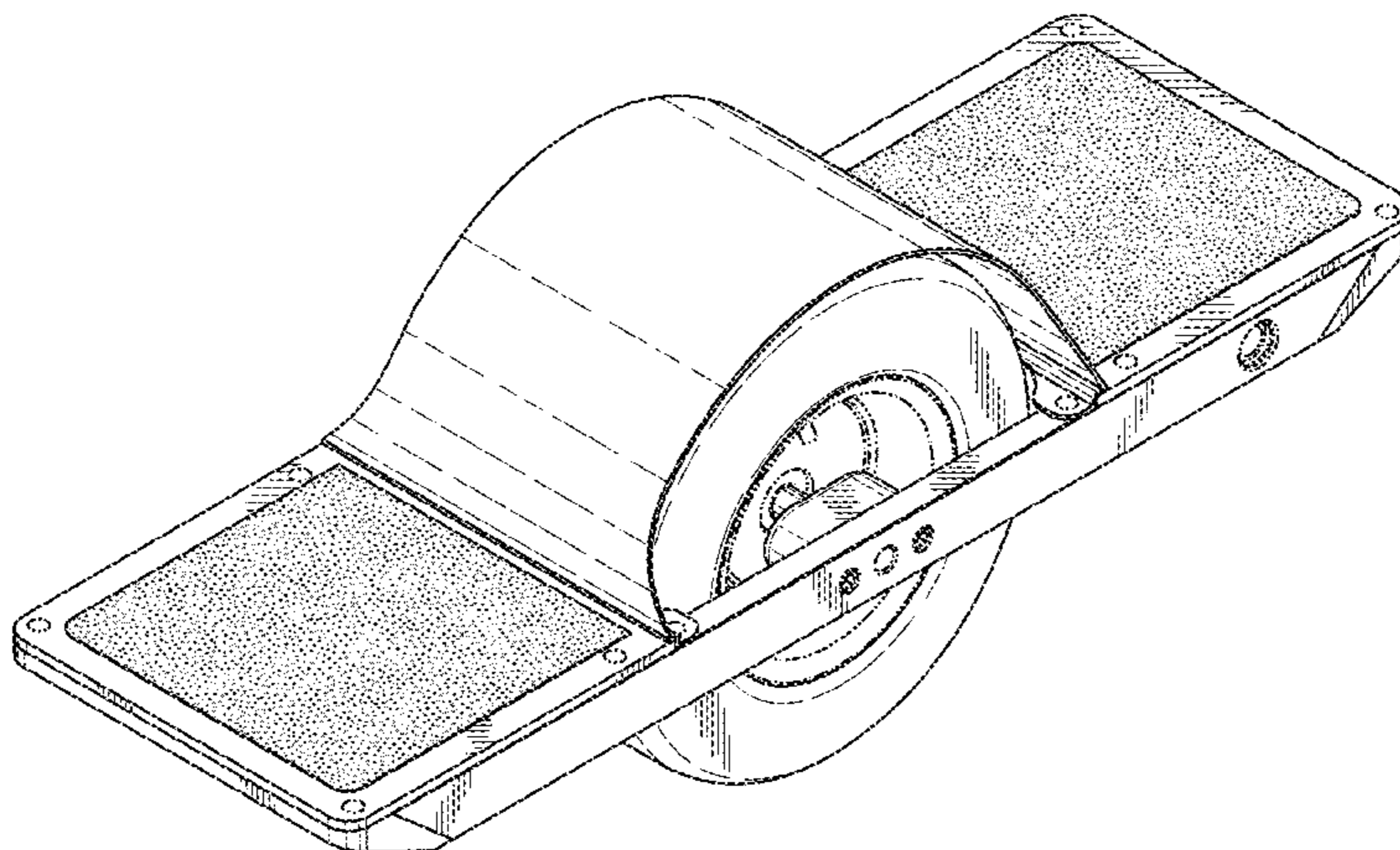
What is claimed is the ornamental design for a skateboard,  
as shown and described.

**DESCRIPTION**

FIG. 1 is an upper, front, and left side perspective view of  
a skateboard showing my new design;  
FIG. 2 is a front view thereof, the rear view is a mirror image  
of the front view;  
FIG. 3 is a top view thereof;  
FIG. 4 is a left side view thereof;  
FIG. 5 is a bottom view thereof; and,  
FIG. 6 is a right side view thereof.

The broken lines shown in the drawings are for illustrative  
purposes only and form no part of the claimed design.  
The stippling and shading lines shown in the drawings  
represent the three-dimensional contour of the design, and  
are not intended to indicate surface decoration.

**1 Claim, 3 Drawing Sheets**



(56)

References Cited

U.S. PATENT DOCUMENTS

6,779,621 B2 8/2004 Kamen et al.  
 6,789,640 B1 9/2004 Arling et al.  
 6,827,163 B2 12/2004 Amsbury et al.  
 6,874,591 B2 4/2005 Morrell et al.  
 6,965,206 B2 11/2005 Kamen et al.  
 6,992,452 B1 1/2006 Sachs et al.  
 7,091,724 B2 8/2006 Heinzmann et al.  
 7,130,702 B2 10/2006 Morrell  
 7,157,875 B2 1/2007 Kamen et al.  
 7,172,044 B2 2/2007 Bouvet  
 7,263,453 B1 8/2007 Gansler et al.  
 D551,592 S 9/2007 Chang et al.  
 D567,318 S 4/2008 Farrelly et al.  
 7,424,927 B2 9/2008 Hiramatsu  
 7,467,681 B2 12/2008 Hiramatsu  
 7,740,099 B2 6/2010 Field et al.  
 7,757,794 B2 7/2010 Heinzmann et al.  
 D624,136 S 9/2010 Chen  
 7,811,217 B2 10/2010 Odien  
 7,857,088 B2 12/2010 Field et al.  
 7,900,725 B2 3/2011 Heinzmann et al.  
 7,962,256 B2 6/2011 Stevens et al.  
 7,963,352 B2 6/2011 Alexander  
 7,979,179 B2 7/2011 Gansler  
 8,025,300 B1 \* 9/2011 Jordan ..... A63C 17/014  
 280/87.021

8,146,696 B2 4/2012 Kaufman  
 8,170,780 B2 5/2012 Field et al.  
 8,308,171 B2 11/2012 Farrelly  
 8,467,941 B2 6/2013 Field et al.  
 8,490,723 B2 7/2013 Heinzmann et al.  
 8,562,386 B2 \* 10/2013 Carlson ..... A63H 17/26  
 446/431  
 8,579,306 B2 \* 11/2013 Lewis ..... A63C 17/0046  
 280/87.042  
 D704,786 S 5/2014 Tang  
 9,101,817 B2 \* 8/2015 Doerksen ..... A63C 17/12  
 9,211,470 B2 \* 12/2015 Bigler ..... A63C 17/12  
 D747,668 S \* 1/2016 Chen ..... D12/107  
 9,327,182 B1 \* 5/2016 Meak ..... A63C 17/04  
 2005/0006859 A1 \* 1/2005 Farrelly ..... A63C 17/04  
 280/8  
 2005/0241864 A1 11/2005 Hiramatsu  
 2006/0012141 A1 1/2006 Bouvet  
 2007/0254789 A1 11/2007 Odien  
 2010/0330876 A1 12/2010 Carlson et al.

OTHER PUBLICATIONS

Jan. 27, 2016, Written Opinion of the International Searching Authority from the U.S. Receiving Office, in PCT Patent Application PCT/US2015/059332, which is an international application of Applicant Future Motion, Inc.

\* cited by examiner

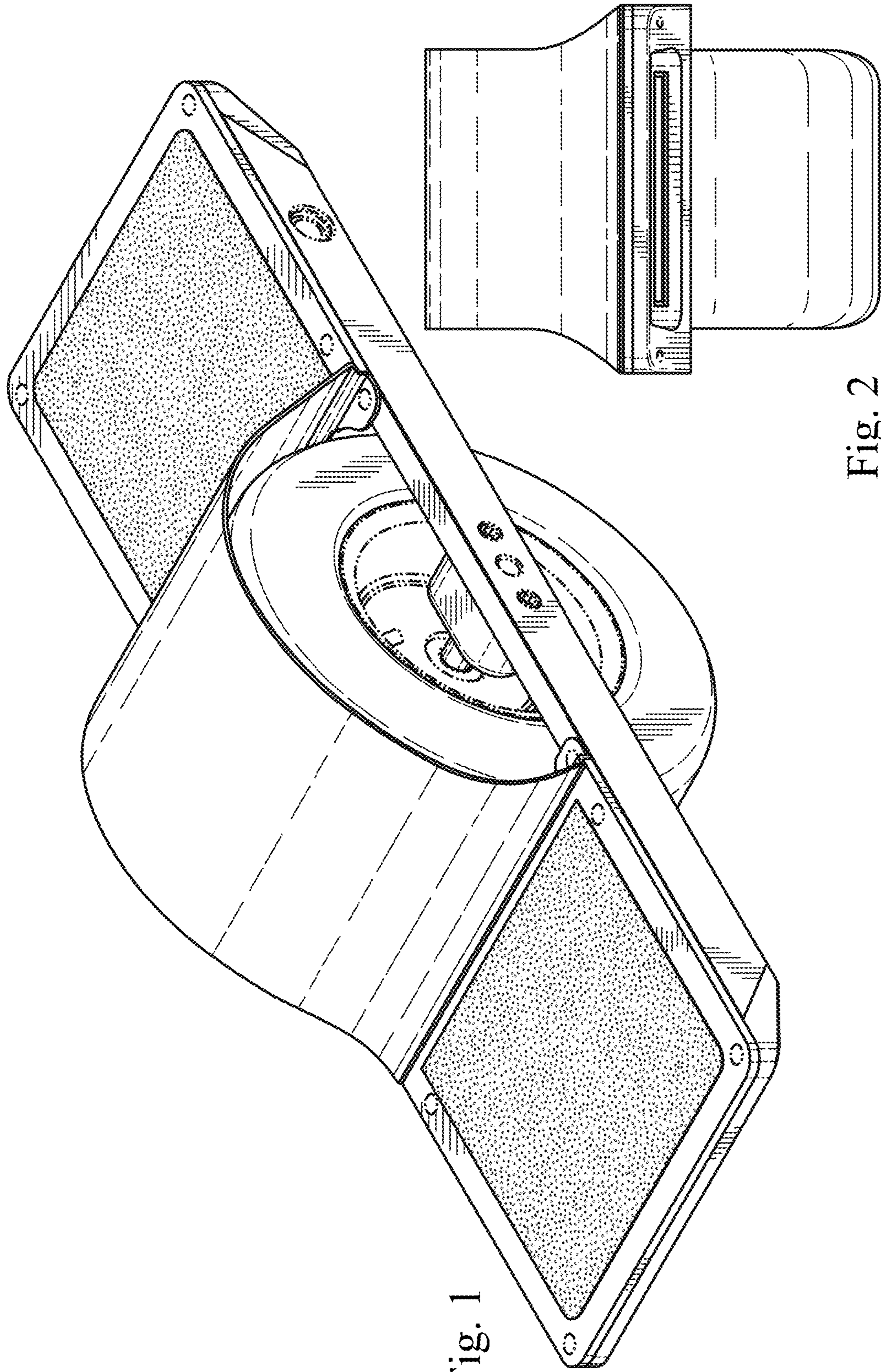


Fig. 1

Fig. 2

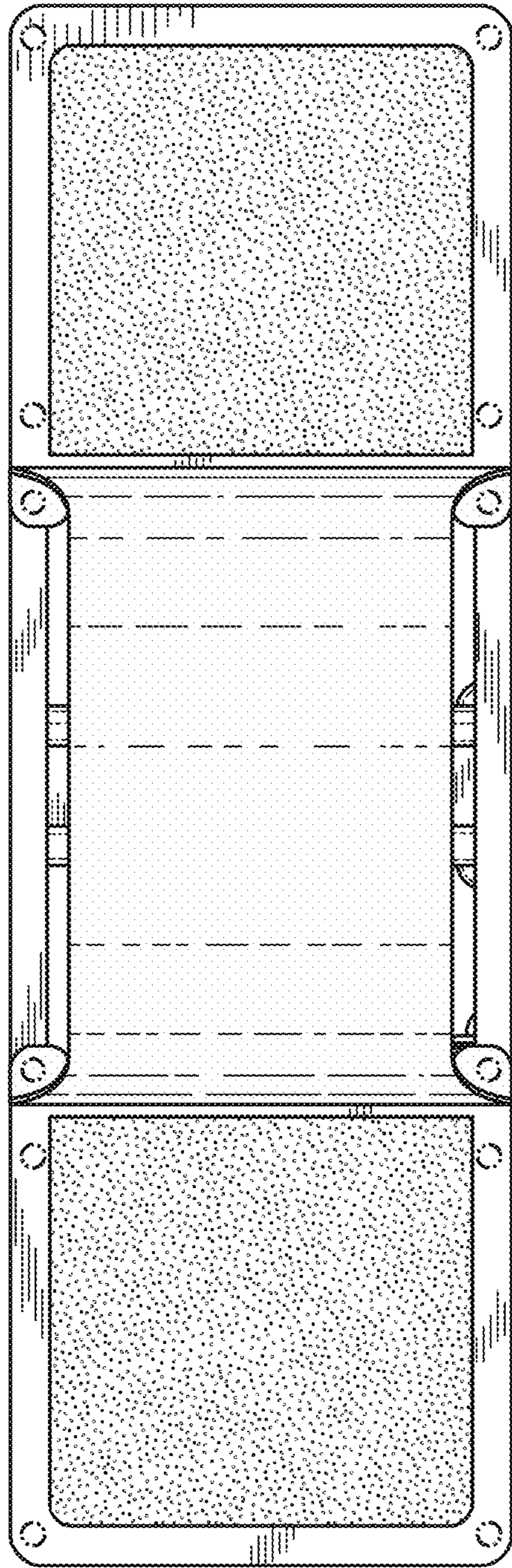


Fig. 3

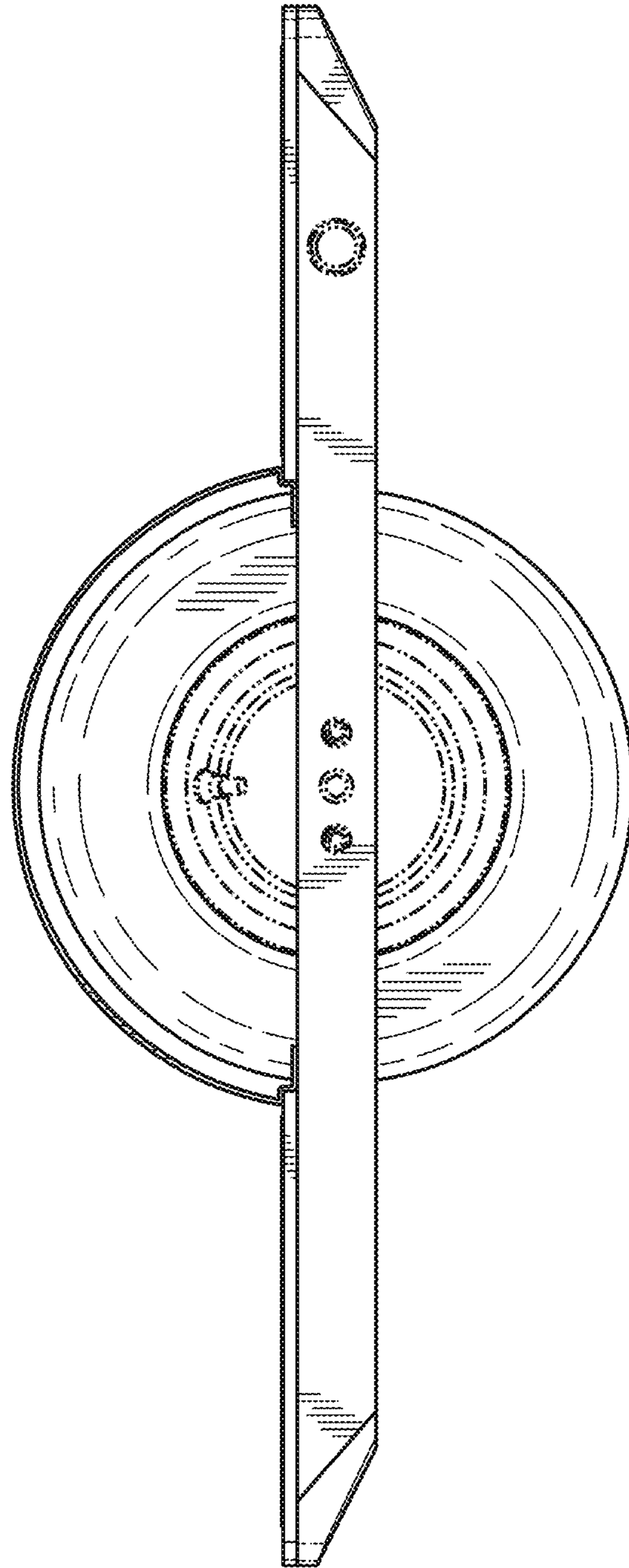


Fig. 4

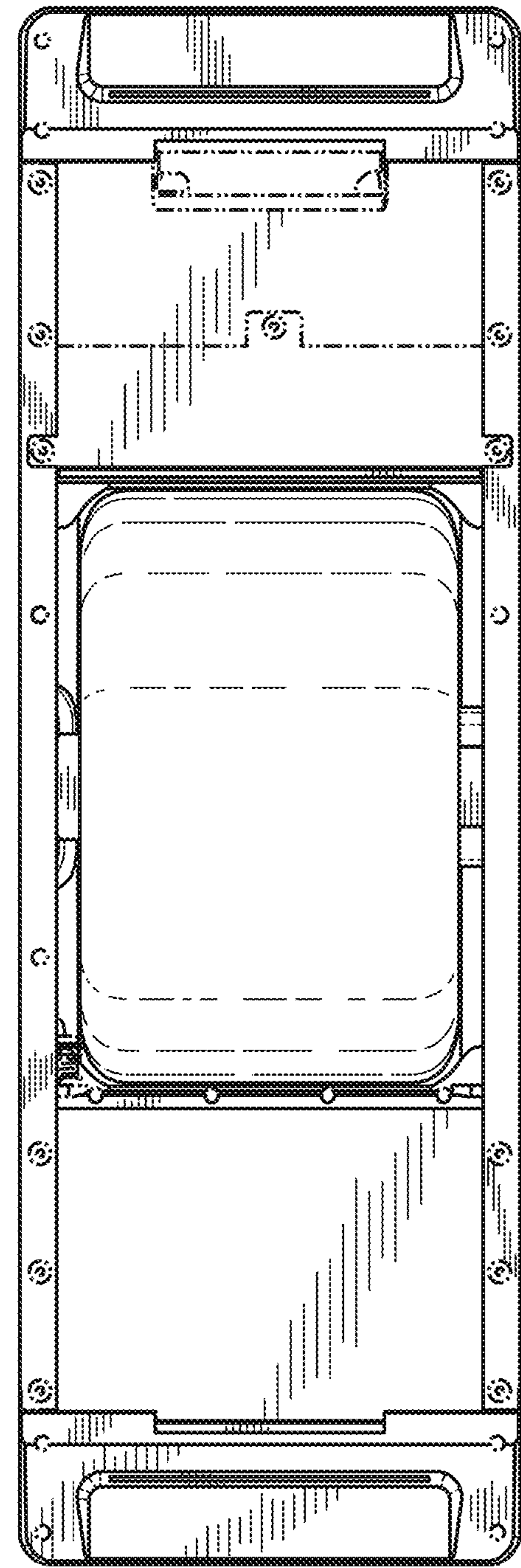


Fig. 5

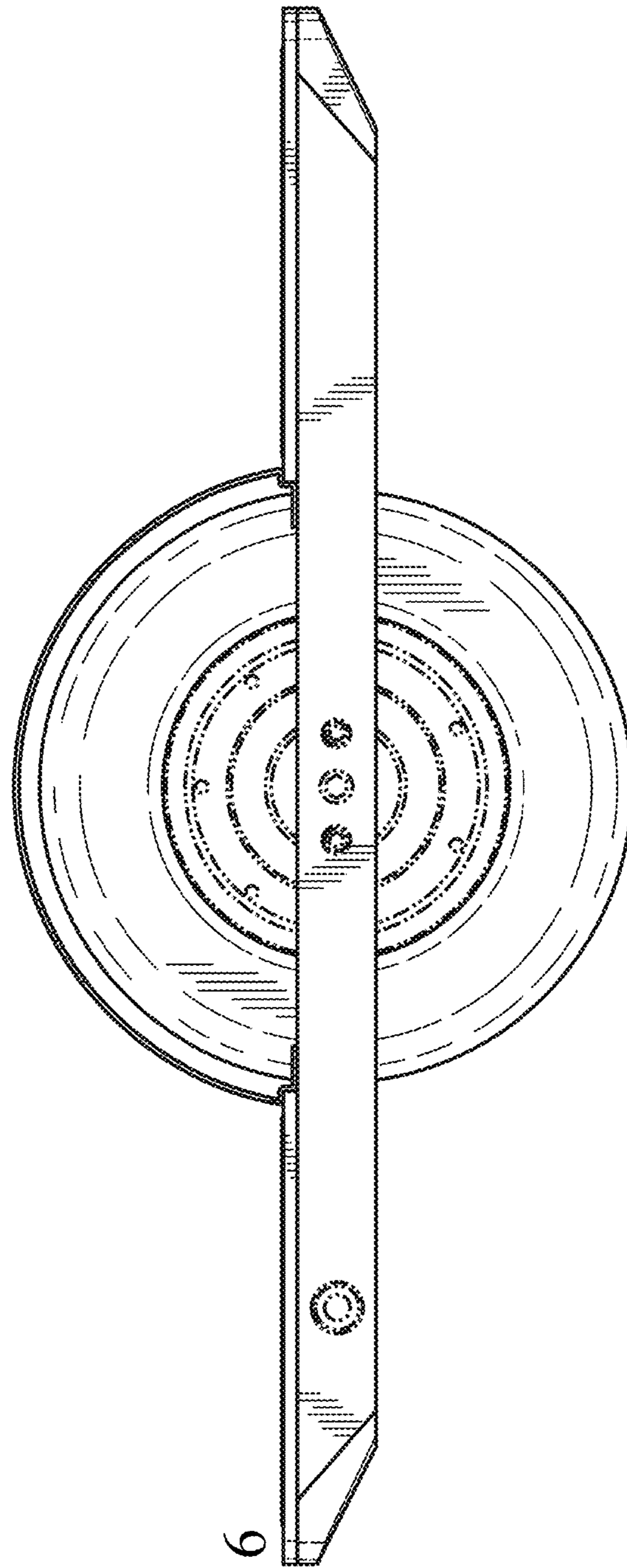


Fig. 6