

US00D76995S

(12) **United States Design Patent** (10) **Patent No.:** **US D769,995 S**  
**Rollinson** (45) **Date of Patent:** **\*\* Oct. 25, 2016**

(54) **PUTTER HEAD**

(71) Applicant: **CALLAWAY GOLF COMPANY,**  
Carlsbad, CA (US)

(72) Inventor: **Augustin W. Rollinson,** Carlsbad, CA  
(US)

(73) Assignee: **Callaway Golf Company,** Carlsbad,  
CA (US)

(\*\*) Term: **15 Years**

(21) Appl. No.: **29/537,676**

(22) Filed: **Aug. 27, 2015**

(51) **LOC (10) Cl.** ..... **21-02**

(52) **U.S. Cl.**  
USPC ..... **D21/744**

(58) **Field of Classification Search**  
USPC ..... D21/736-746, 759  
CPC .. A63B 53/00; A63B 53/06; A63B 53/0487;  
A63B 53/007; A63B 53/04  
See application file for complete search history.

(56) **References Cited**

U.S. PATENT DOCUMENTS

D255,373 S *	6/1980	Solheim	.....	D21/743
D399,911 S *	10/1998	Nicolette	.....	D21/736
D400,610 S *	11/1998	Cameron	.....	D21/742
D407,445 S *	3/1999	Rollinson	.....	D21/743
D428,457 S *	7/2000	Rollinson	.....	D21/743

6,273,831 B1 *	8/2001	Dewanjee	.....	A63B 53/04 273/DIG. 8
D635,625 S *	4/2011	Rollinson	.....	D21/743
D644,703 S *	9/2011	Serrano	.....	D21/743
D720,024 S *	12/2014	Rollinson	.....	D21/736
D720,411 S *	12/2014	Rollinson	.....	D21/743
D720,412 S *	12/2014	Rollinson	.....	D21/743
D759,172 S *	6/2016	Rollinson	.....	D21/743
D759,173 S *	6/2016	Rollinson	.....	D21/743
2006/0223646 A1 *	10/2006	Rife	.....	A63B 53/0487 473/251

\* cited by examiner

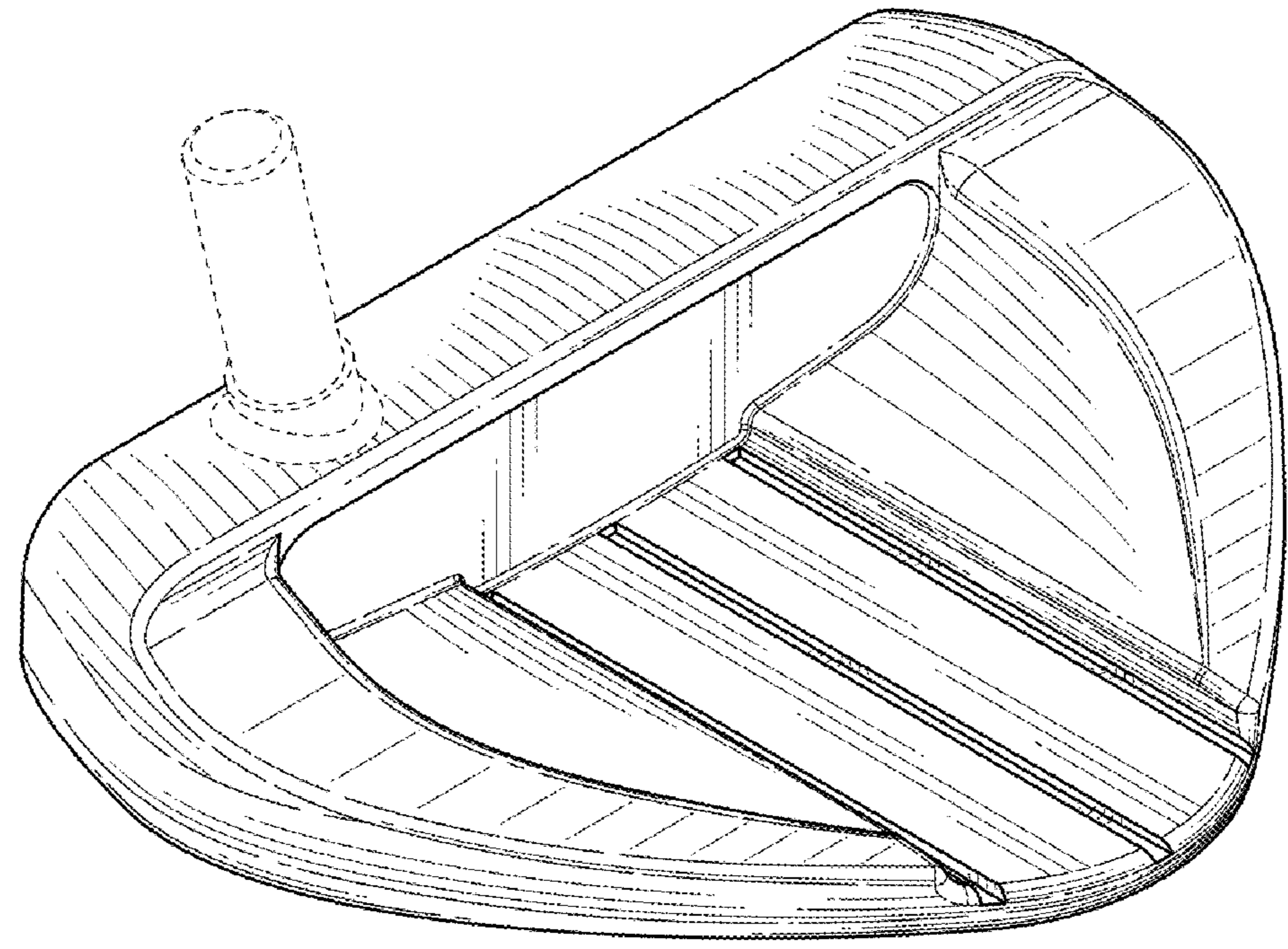
*Primary Examiner* — Mitchell Siegel  
(74) *Attorney, Agent, or Firm* — Rebecca Hanovice;  
Michael Catania; Sonia Lari

(57) **CLAIM**  
The ornamental design for a putter head, as shown and described.

**DESCRIPTION**

FIG. 1 is a rear perspective view of a the putter head as claimed herein;  
FIG. 2 is a rear elevational view thereof;  
FIG. 3 is a front elevational view thereof;  
FIG. 4 is a right side elevational view thereof;  
FIG. 5 is a left side elevational view thereof;  
FIG. 6 is a top plan view thereof; and,  
FIG. 7 is a bottom plan view thereof.  
The broken lines are included for the purpose of illustration and form no part of the claimed design.

**1 Claim, 4 Drawing Sheets**



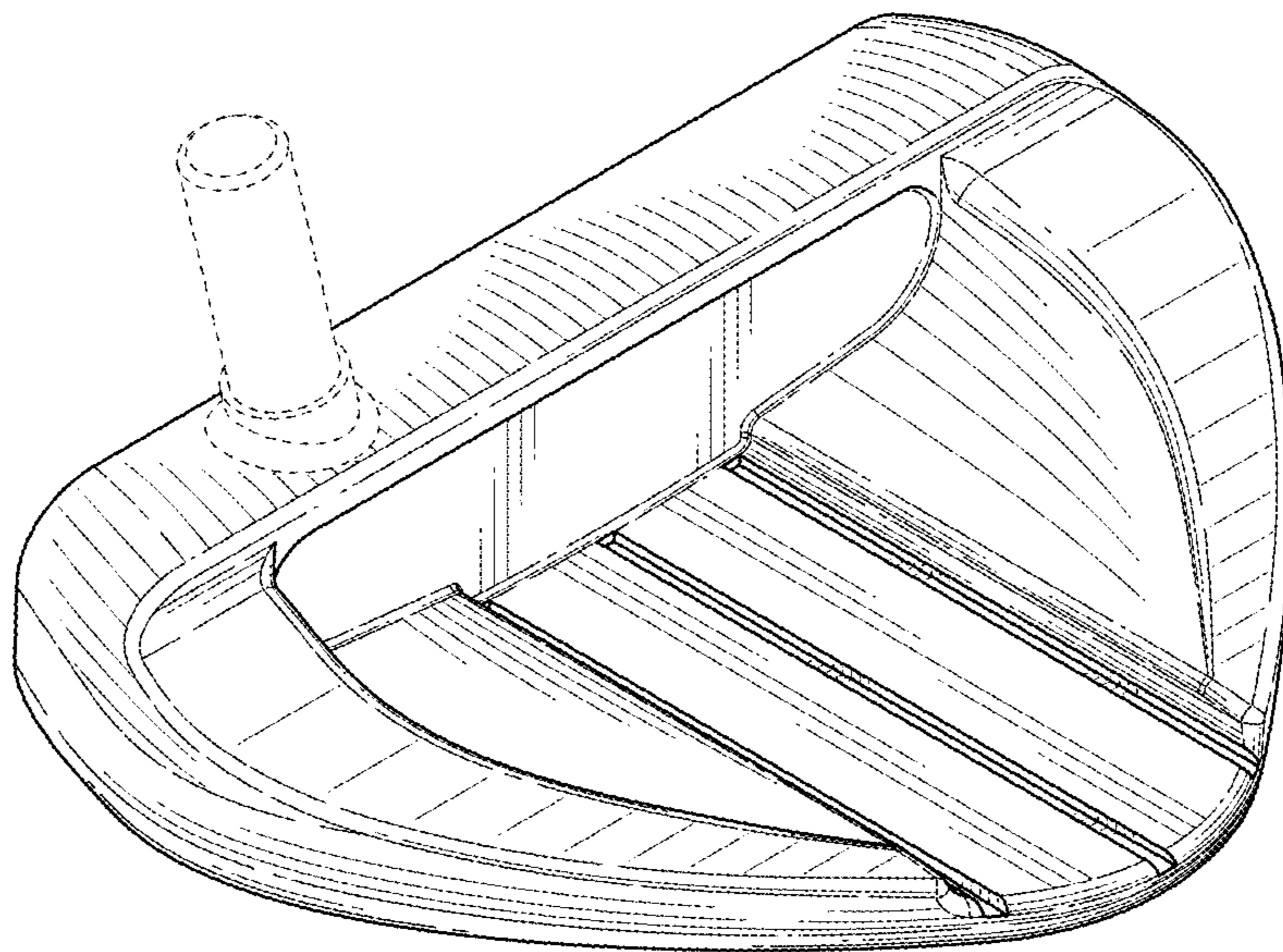


FIG. 1

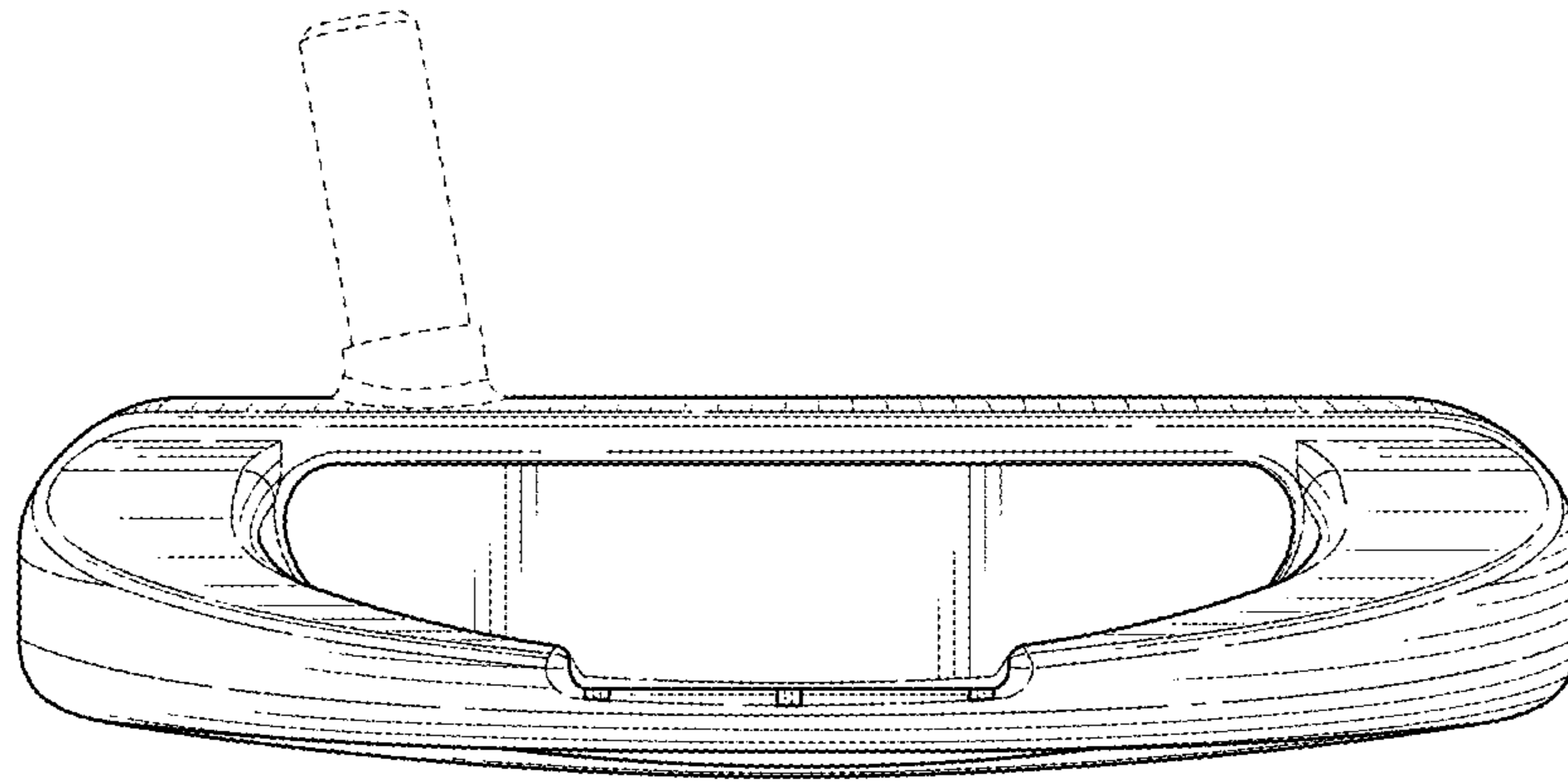


FIG. 2

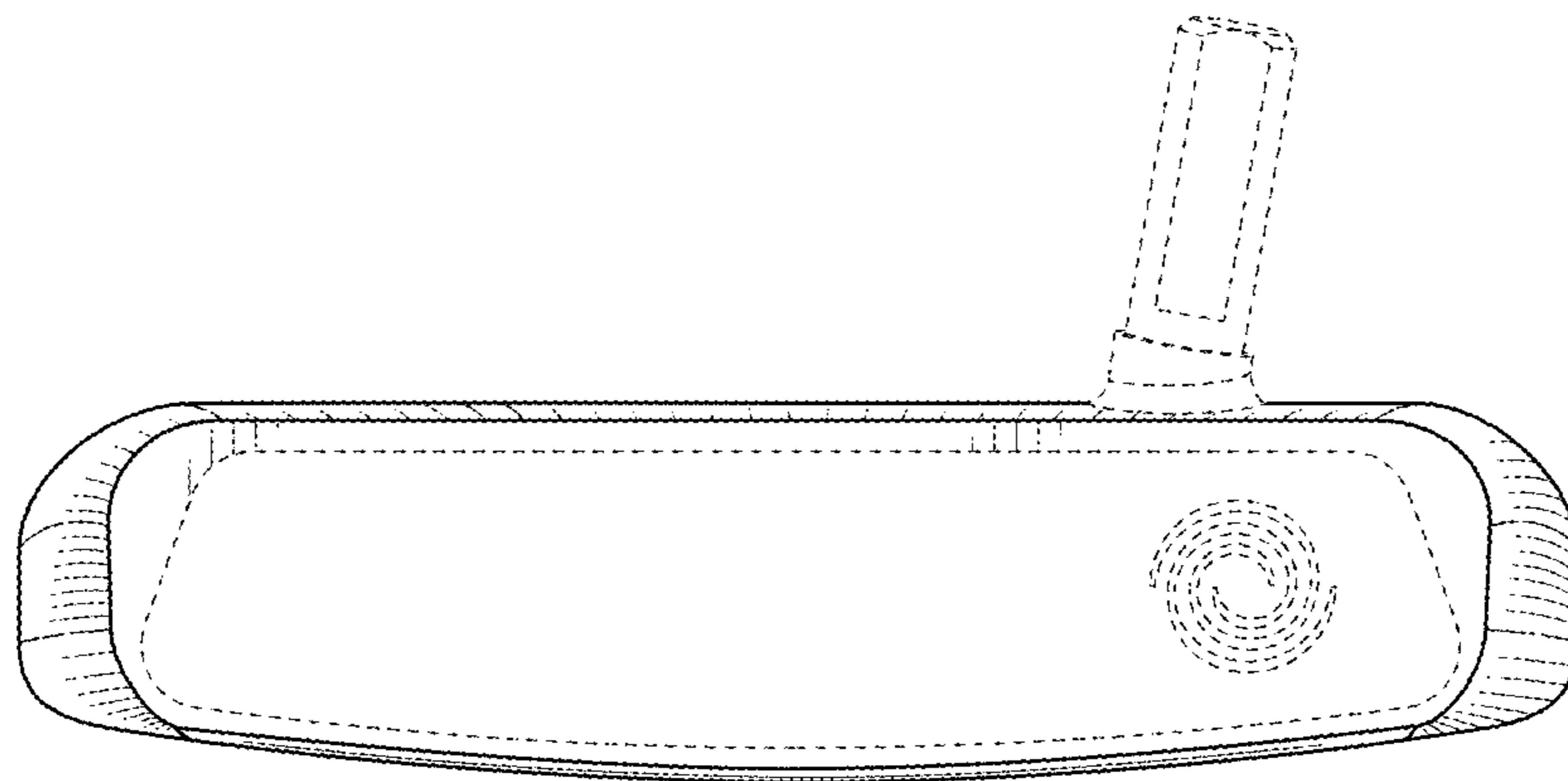


FIG. 3

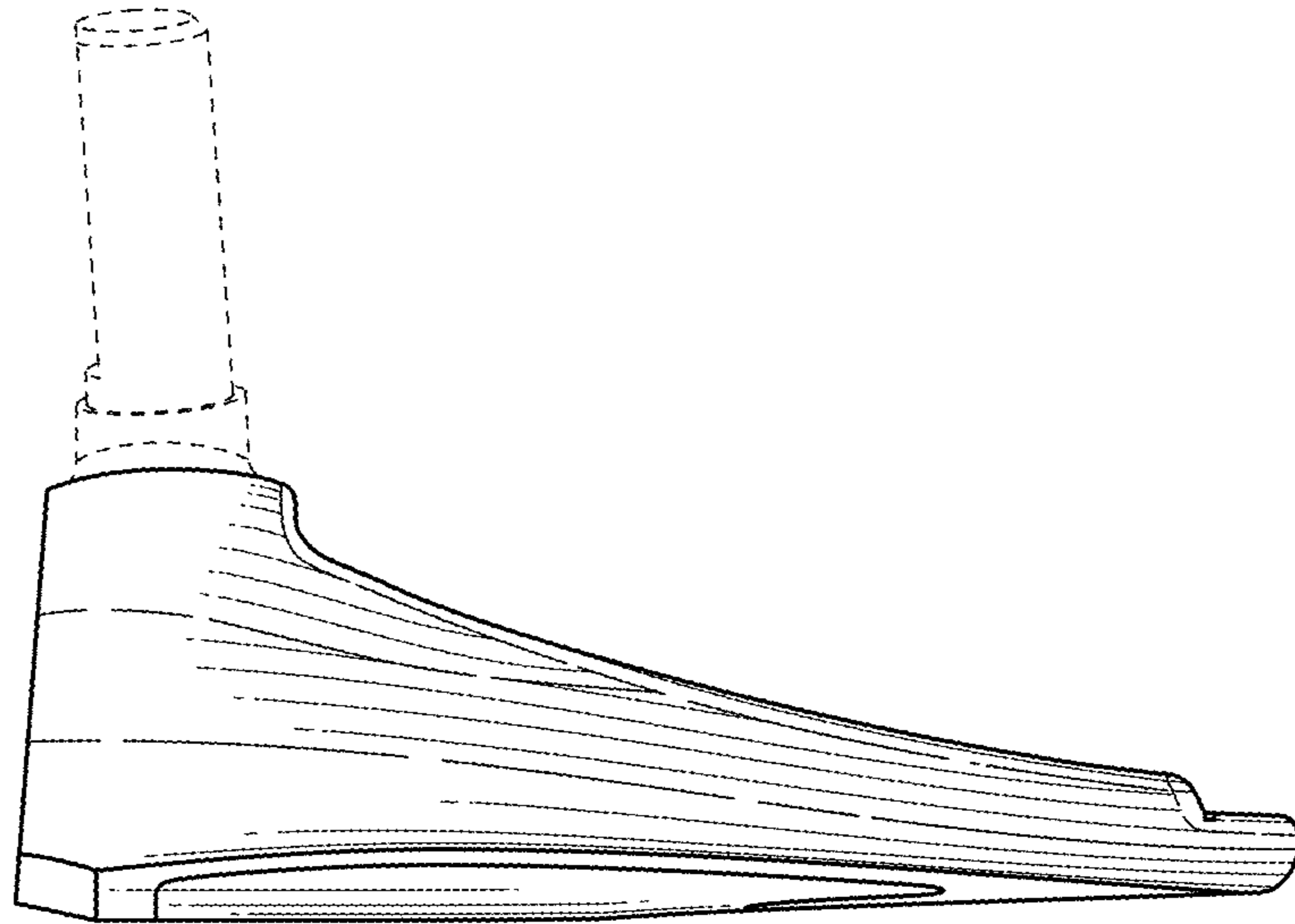


FIG. 4

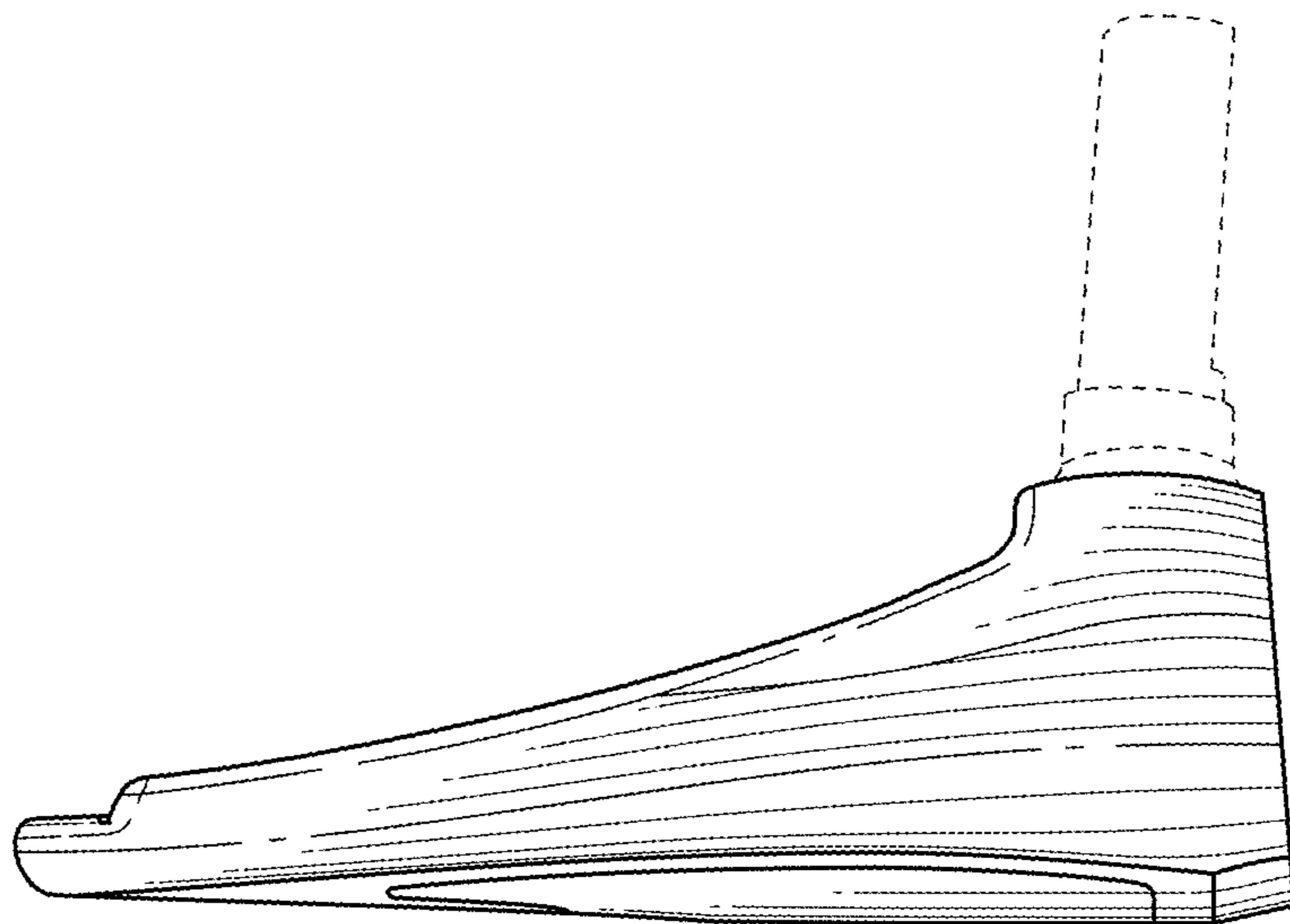


FIG. 5

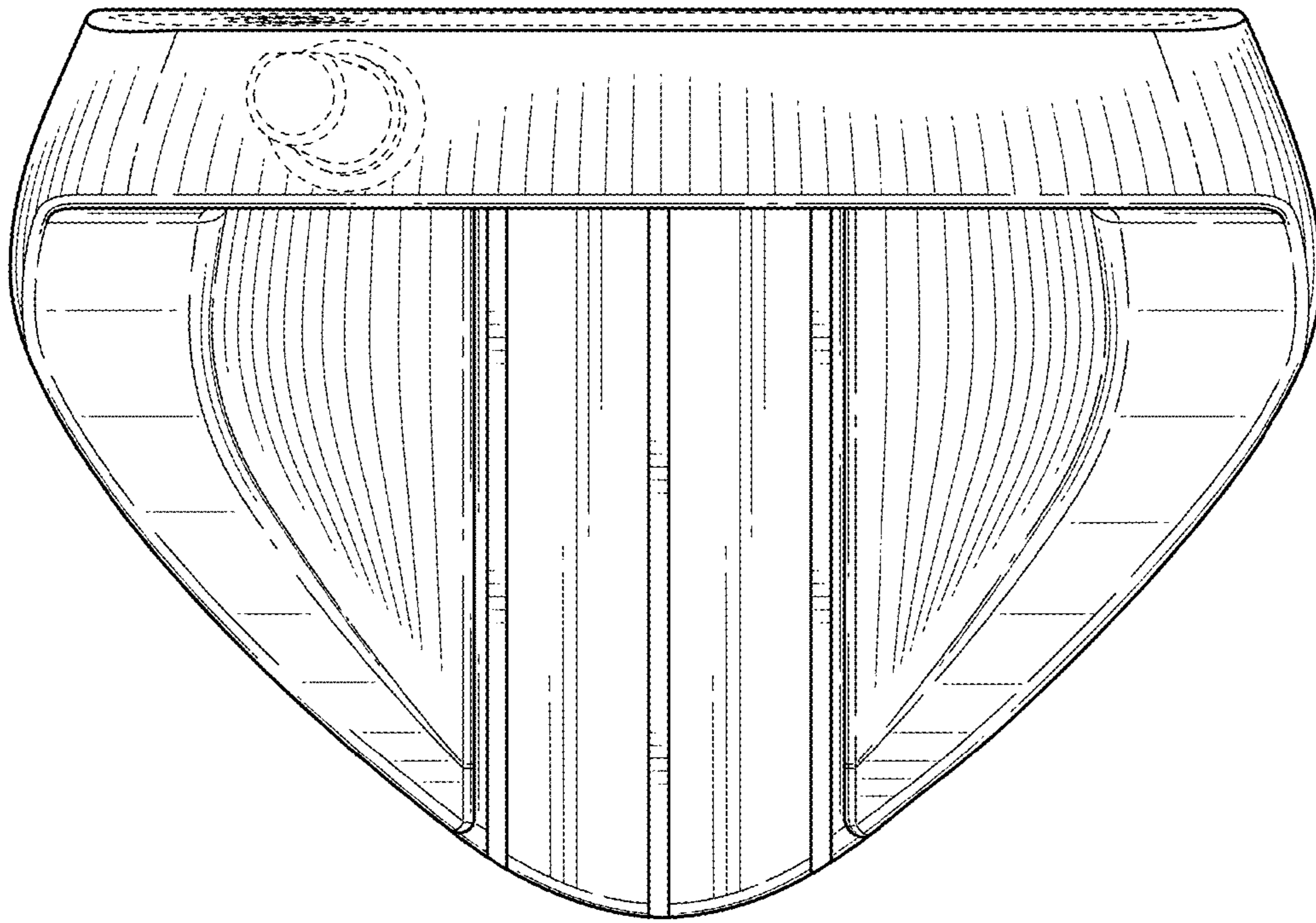


FIG. 6

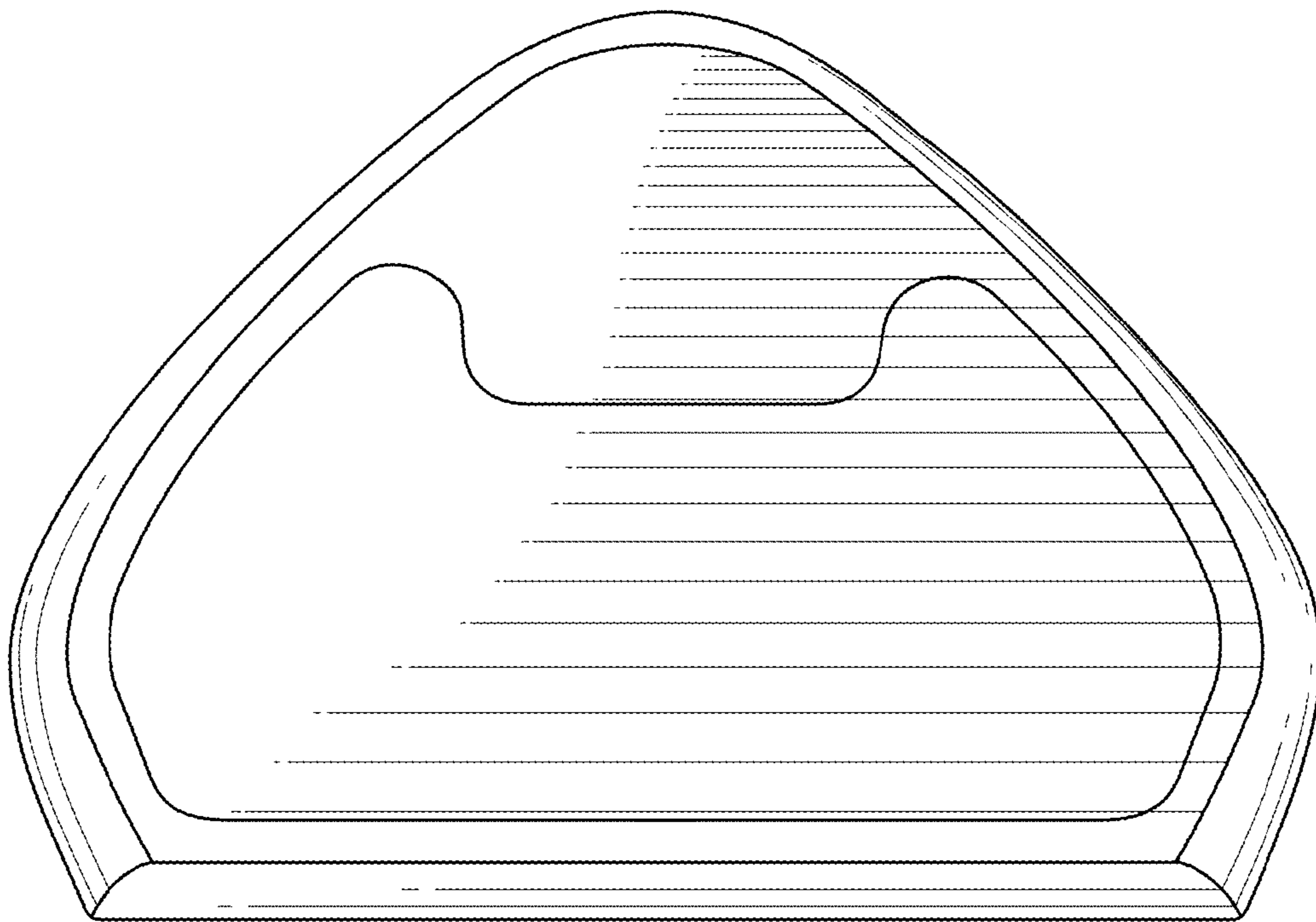


FIG. 7