



US00D76993S

(12) **United States Design Patent** (10) **Patent No.:** **US D769,993 S**
Abbott et al. (45) **Date of Patent:** **** Oct. 25, 2016**

(54) **PUTTER HEAD**
(71) Applicant: **CALLAWAY GOLF COMPANY**,
Carlsbad, CA (US)
(72) Inventors: **Craig E. Abbott**, Vista, CA (US);
Kevin P. Dacey, La Jolla, CA (US)
(73) Assignee: **Callaway Golf Company**, Carlsbad,
CA (US)
(**) Term: **15 Years**
(21) Appl. No.: **29/540,102**
(22) Filed: **Sep. 21, 2015**
(51) **LOC (10) Cl.** **21-02**
(52) **U.S. Cl.**
USPC **D21/742**
(58) **Field of Classification Search**
USPC D21/736-746
CPC A63B 53/065; A63B 53/0487; A63B 53/00;
A63B 53/04; A63B 53/007
See application file for complete search history.

(56) **References Cited**
U.S. PATENT DOCUMENTS
D315,386 S * 3/1991 Alonso D21/741
D455,467 S * 4/2002 Shenoha D21/736
D472,594 S * 4/2003 Tang D21/735
D472,595 S * 4/2003 Tang D21/735
D483,824 S * 12/2003 Tang D21/738
D485,323 S * 1/2004 Wagner D21/744
D538,865 S * 3/2007 Cameron D21/736
D548,296 S * 8/2007 Rollinson D21/744
D559,930 S * 1/2008 Cameron D21/746
D585,511 S * 1/2009 Cameron D21/743
D592,717 S * 5/2009 Rollinson D21/742
D620,993 S * 8/2010 Laub D21/746
D623,251 S * 9/2010 Rollinson D21/744

D629,475 S * 12/2010 Rollinson D21/736
D641,815 S * 7/2011 Rollinson D21/744
D641,816 S * 7/2011 Rollinson D21/744
D650,459 S * 12/2011 Rollinson D21/746
D689,968 S * 9/2013 Jones D21/742
D701,276 S * 3/2014 Izatt D21/759
D730,462 S * 5/2015 Becktor D21/742
D730,463 S * 5/2015 Dolezel D21/742
D732,121 S * 6/2015 Trahan D21/742
D732,122 S * 6/2015 Becktor D21/742
D732,618 S * 6/2015 Becktor D21/742
2002/0123393 A1* 9/2002 Tang A63B 53/04
473/340

* cited by examiner

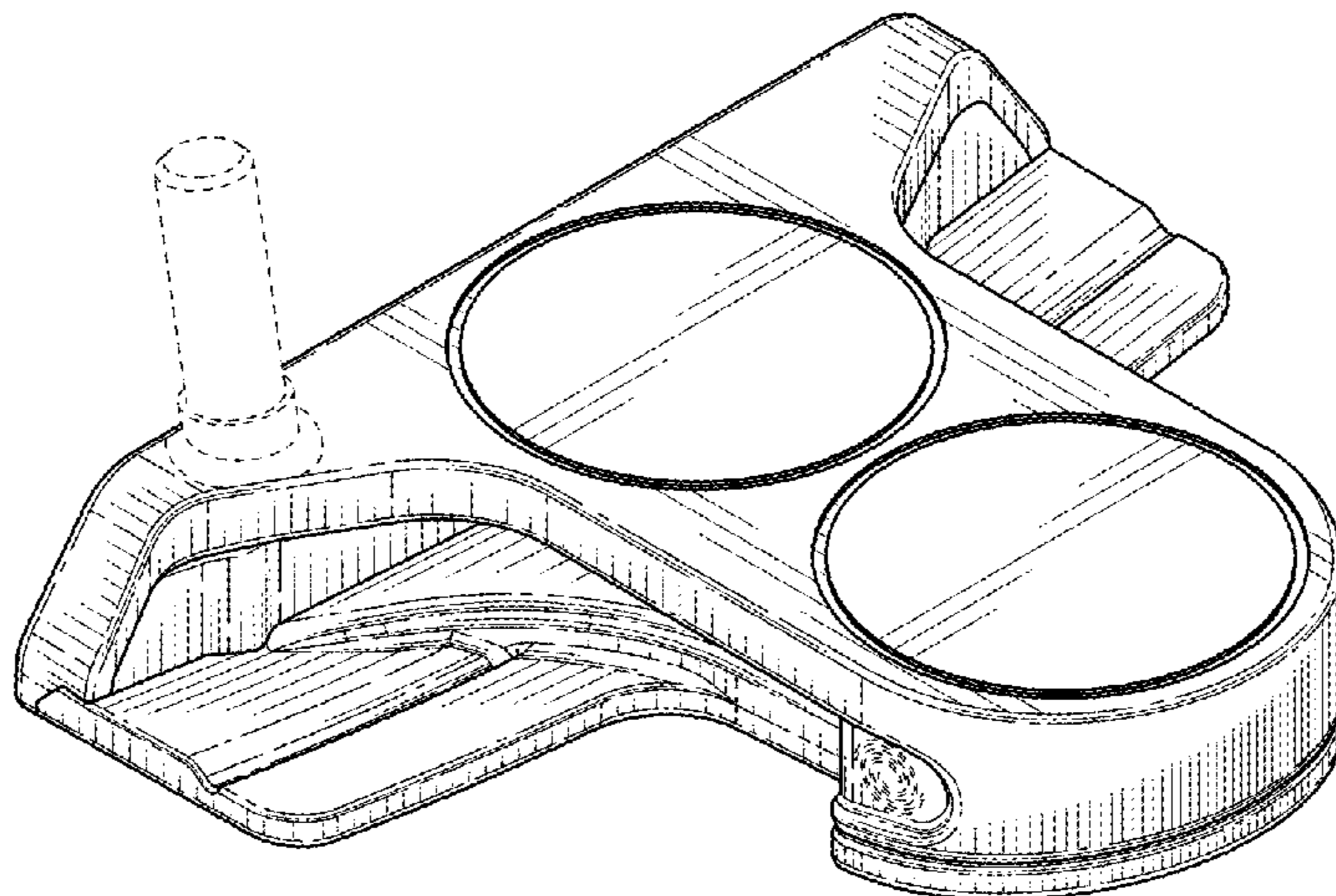
Primary Examiner — Mitchell Siegel
(74) *Attorney, Agent, or Firm* — Rebecca Hanovice;
Michael Catania; Sonia Lari

(57) **CLAIM**
The ornamental design for a putter head, as shown and described.

DESCRIPTION

FIG. 1 is a rear perspective view of a the putter head as claimed herein;
FIG. 2 is a rear elevational view thereof;
FIG. 3 is a front elevational view thereof;
FIG. 4 is a right side elevational view thereof;
FIG. 5 is a left side elevational view thereof;
FIG. 6 is a top plan view thereof;
FIG. 7 is a bottom plan view thereof;
FIG. 8 is a cross-sectional view of the putter head shown in FIG. 2 along lines 8-8; and,
FIG. 9 is an enlarged view of the circled portion of the putter head shown in FIG. 8.
The broken lines are included for the purpose of illustration and form no part of the claimed design.

1 Claim, 5 Drawing Sheets



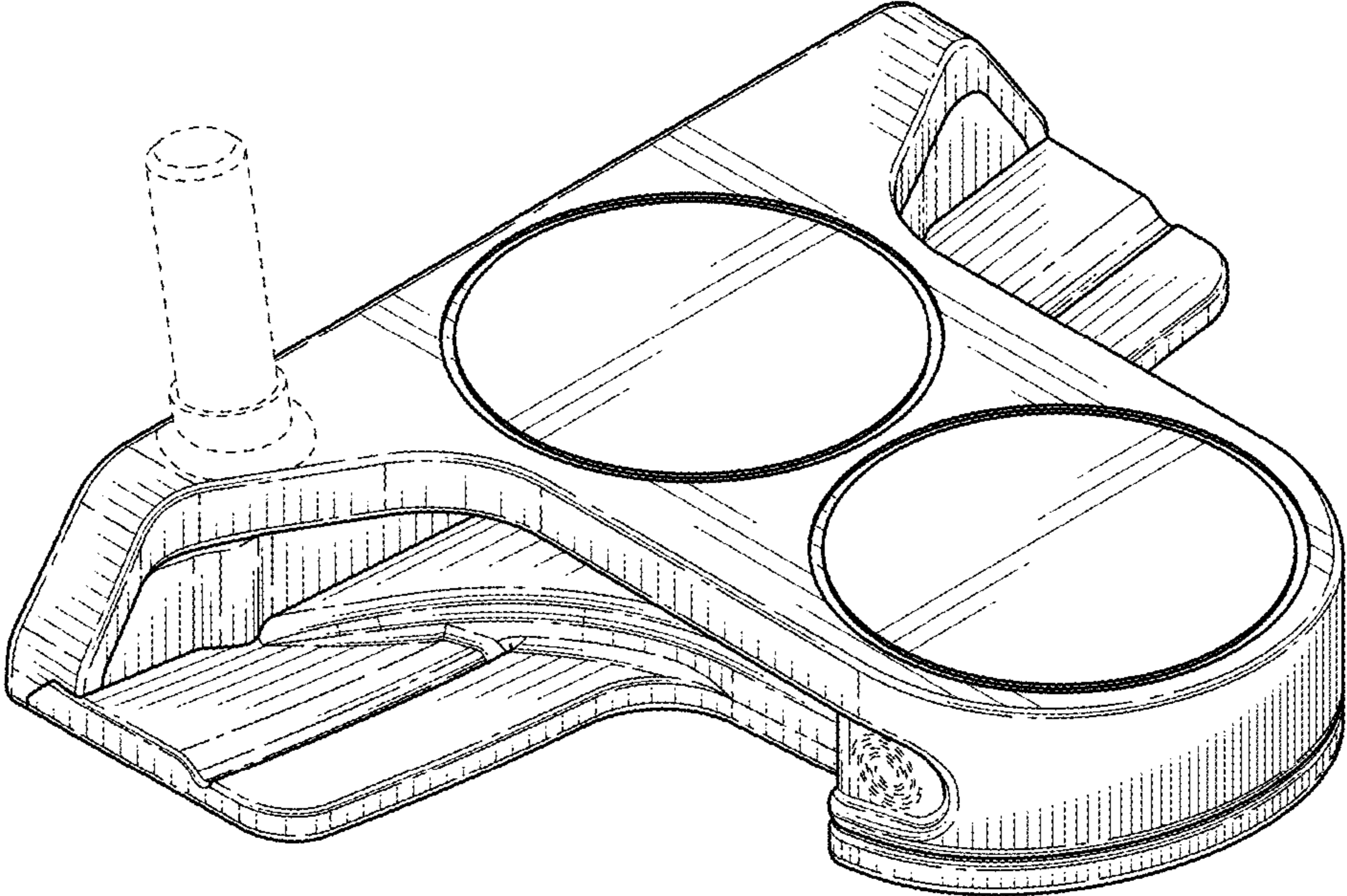


FIG. 1

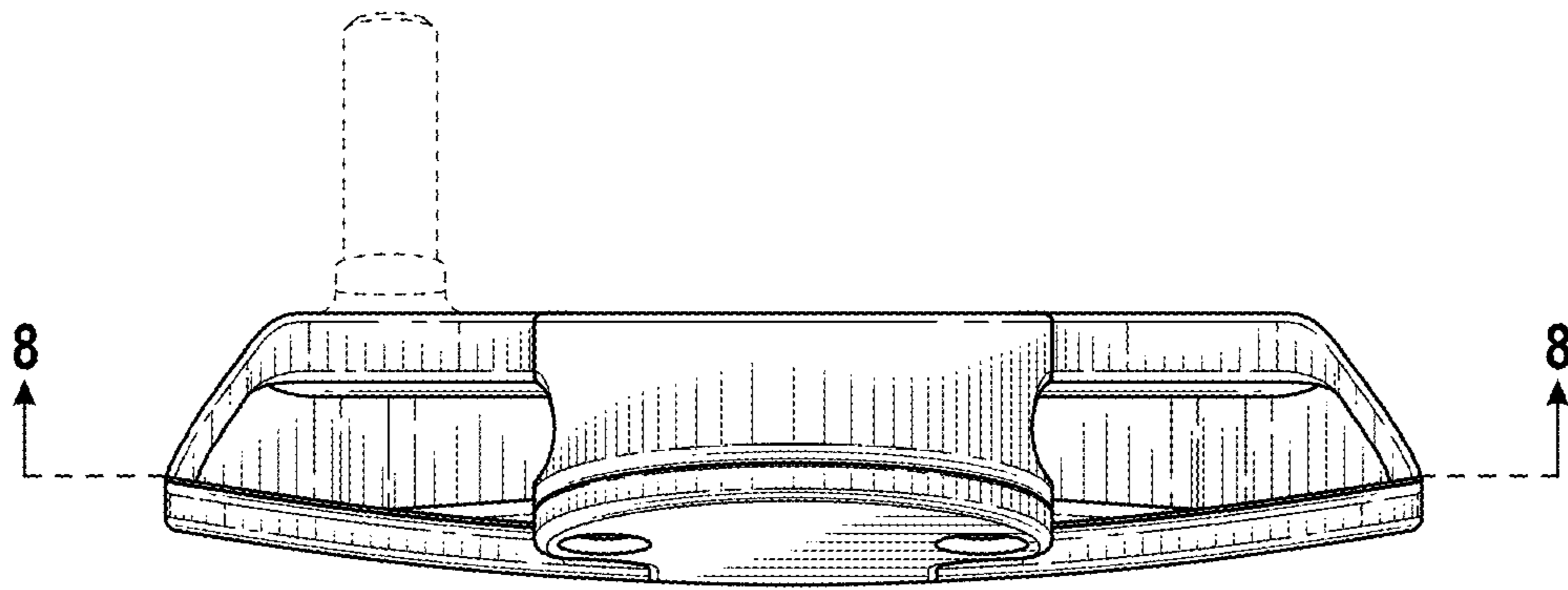


FIG. 2

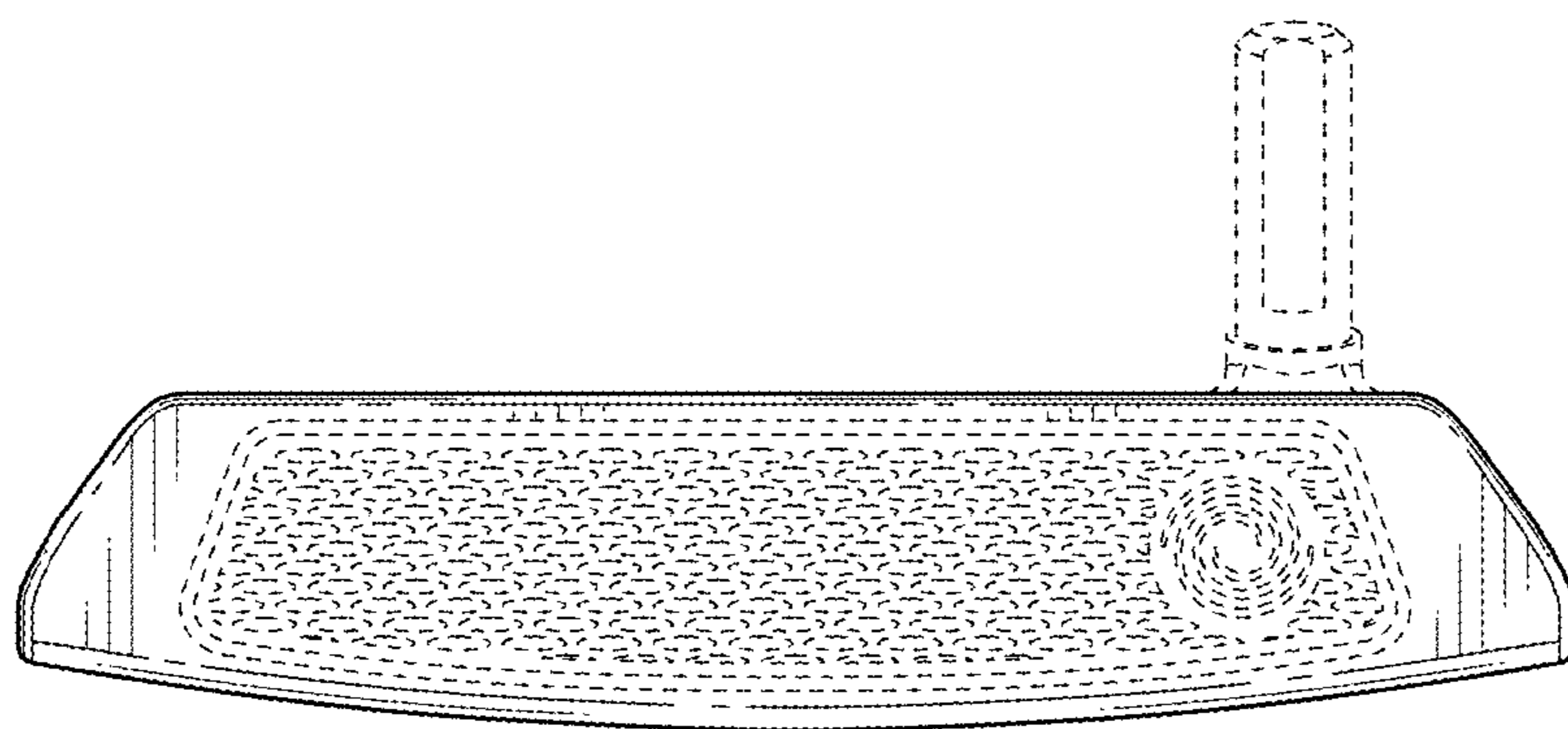


FIG. 3

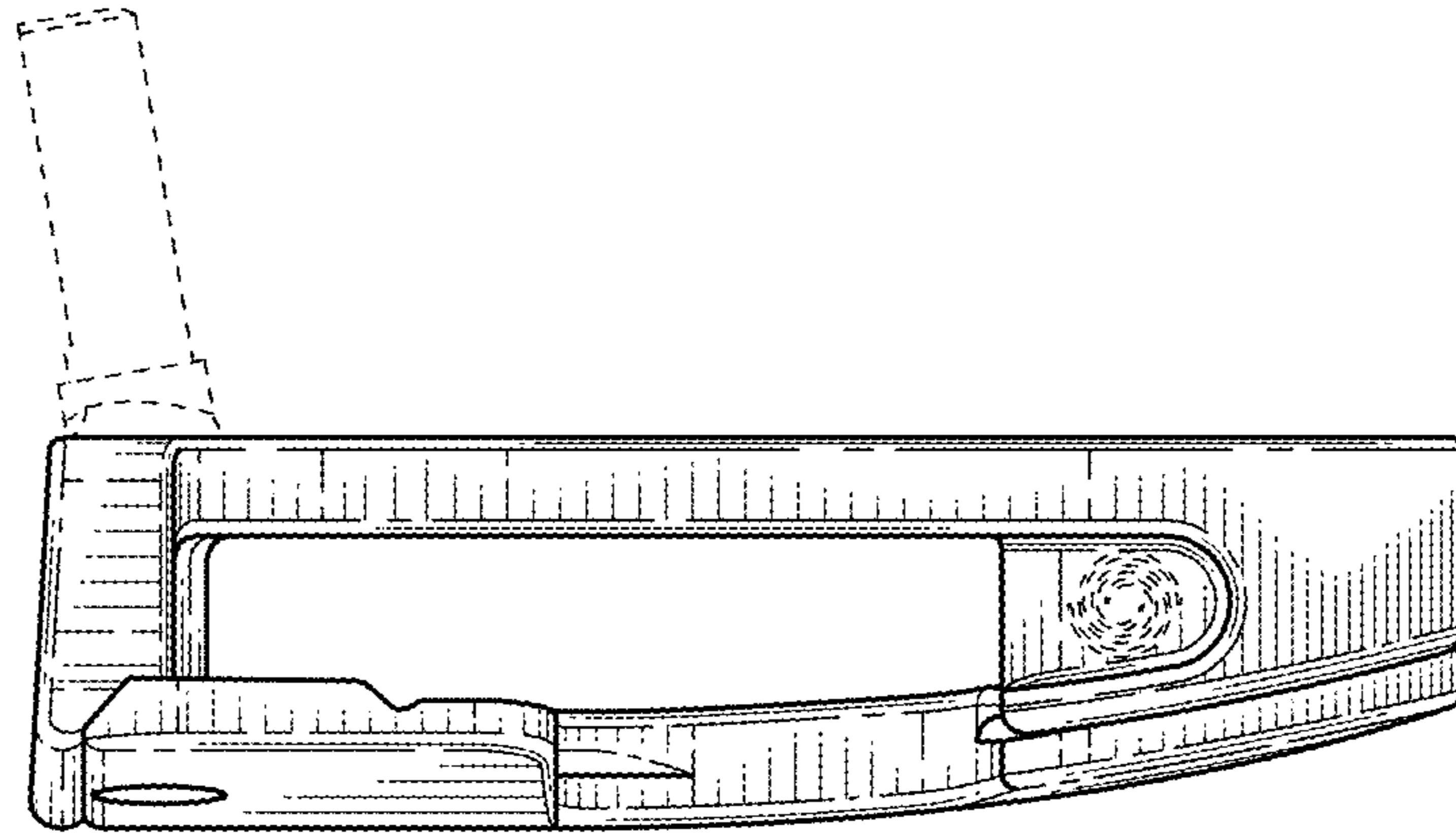


FIG. 4

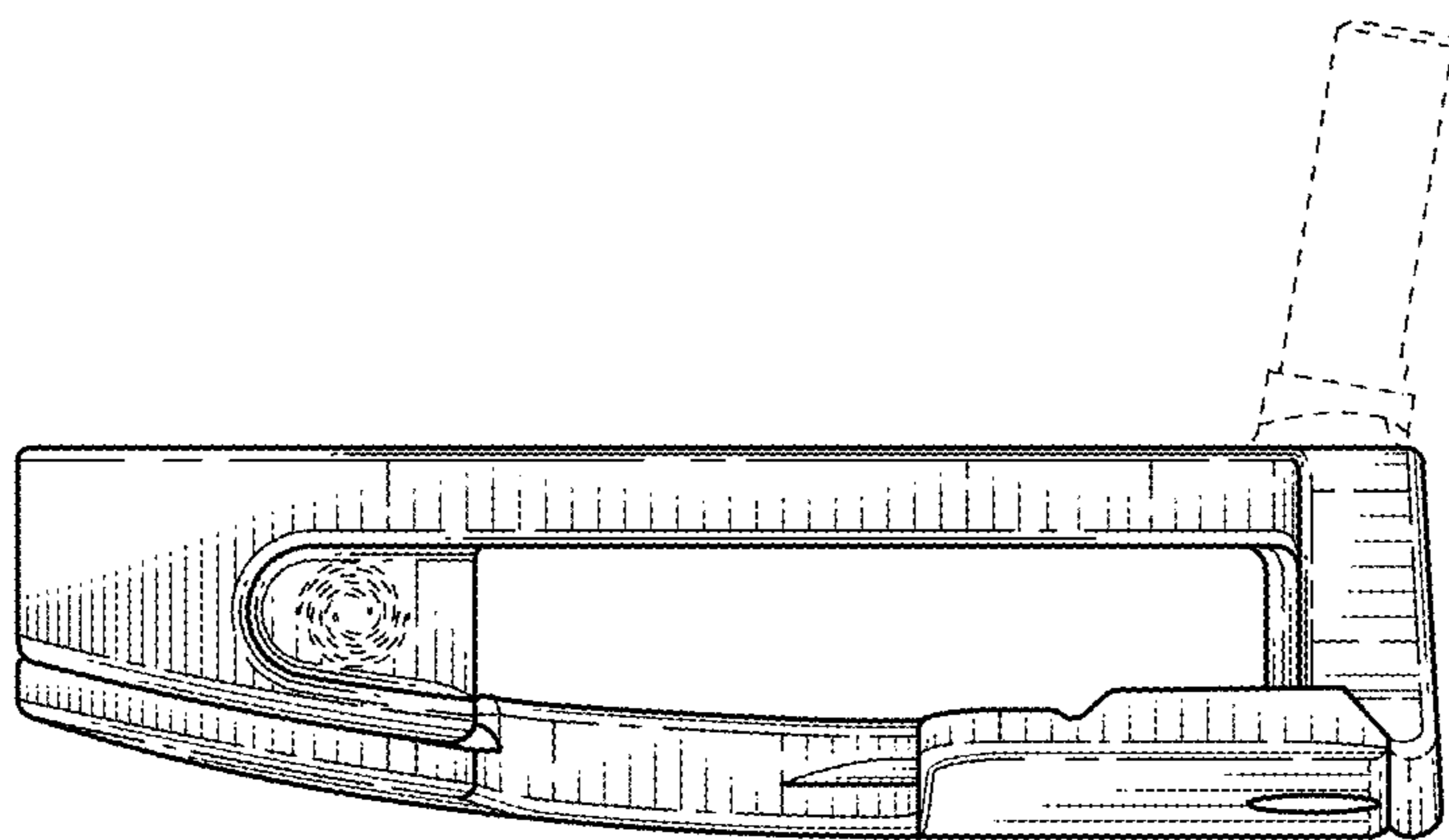


FIG. 5

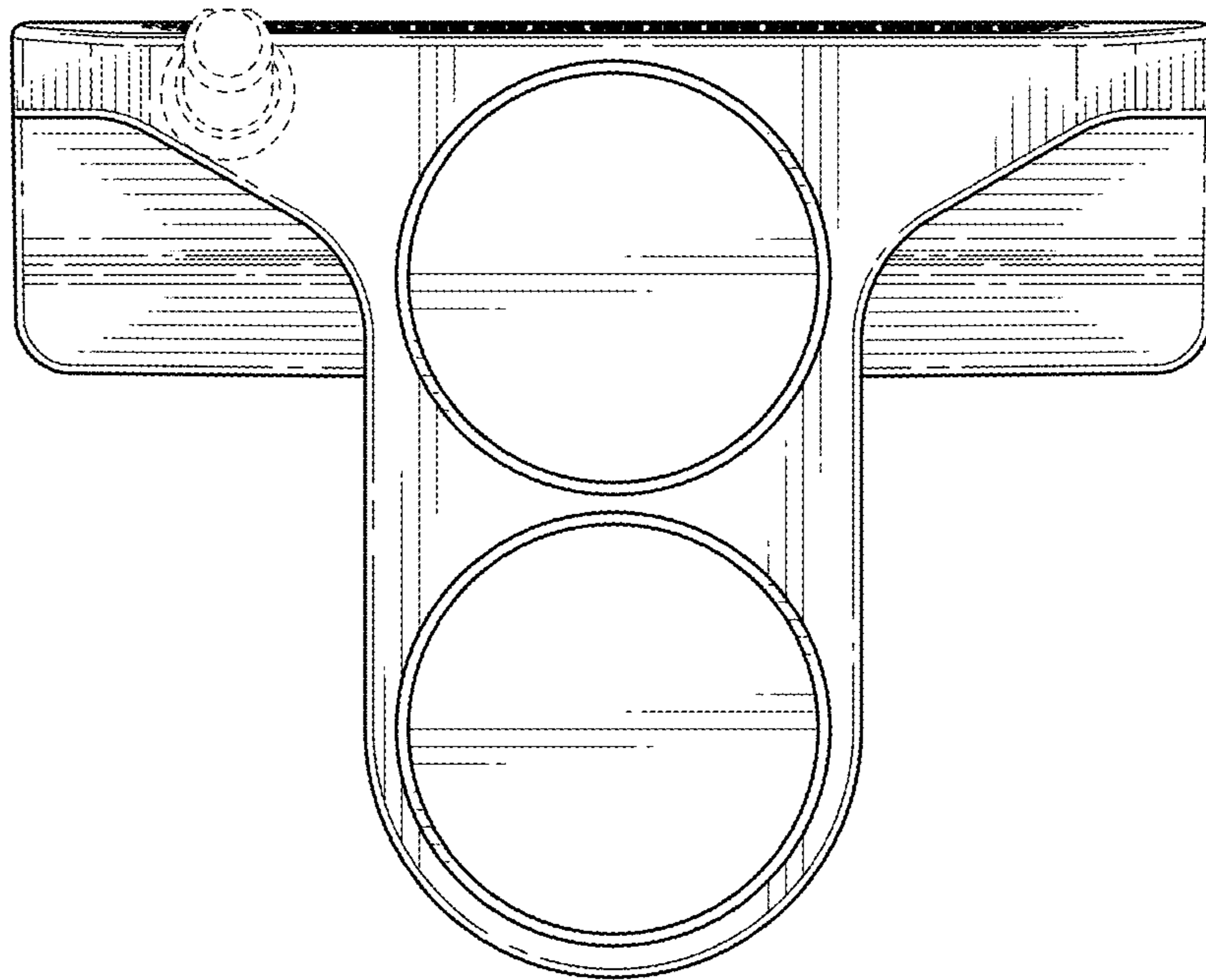


FIG. 6

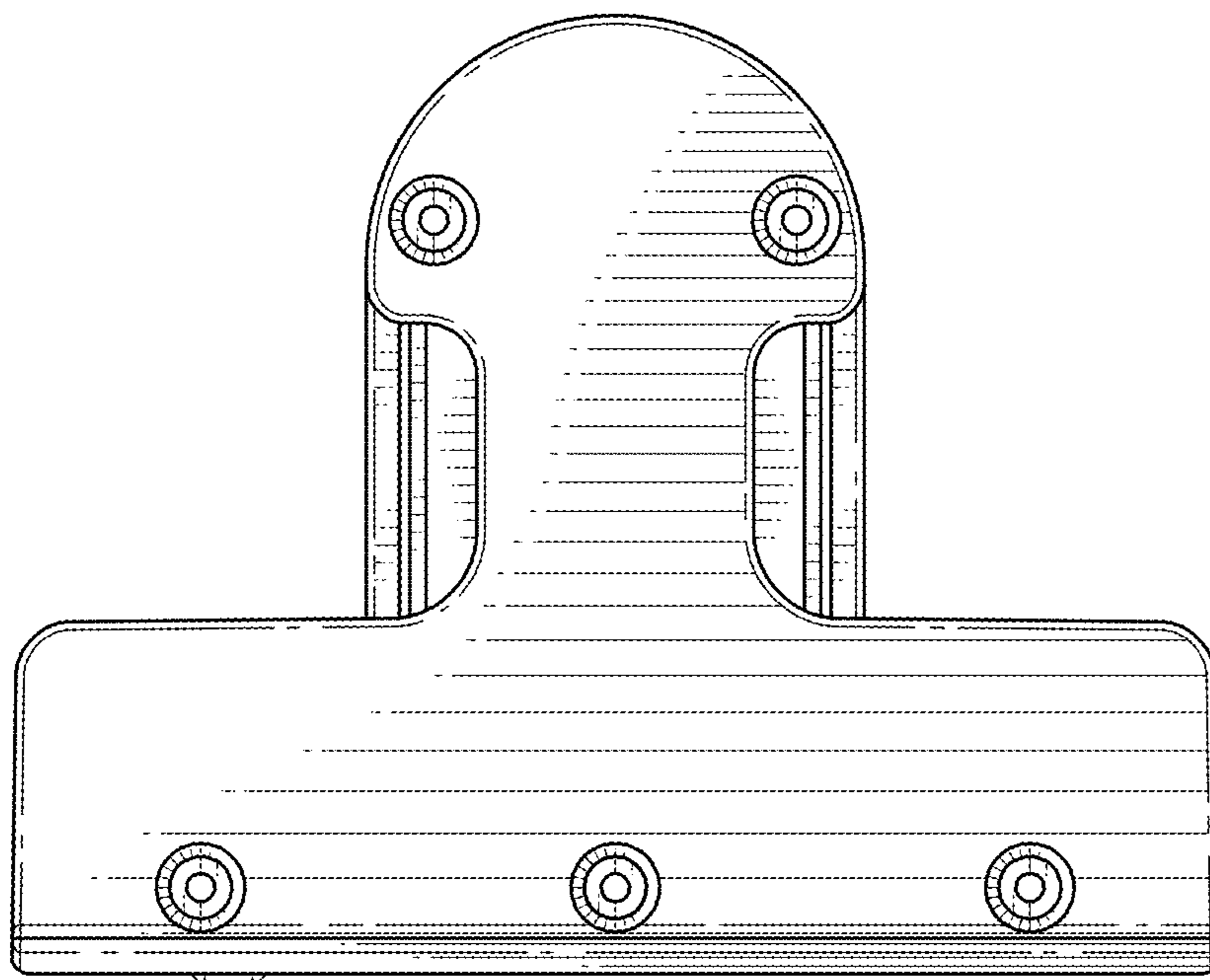


FIG. 7

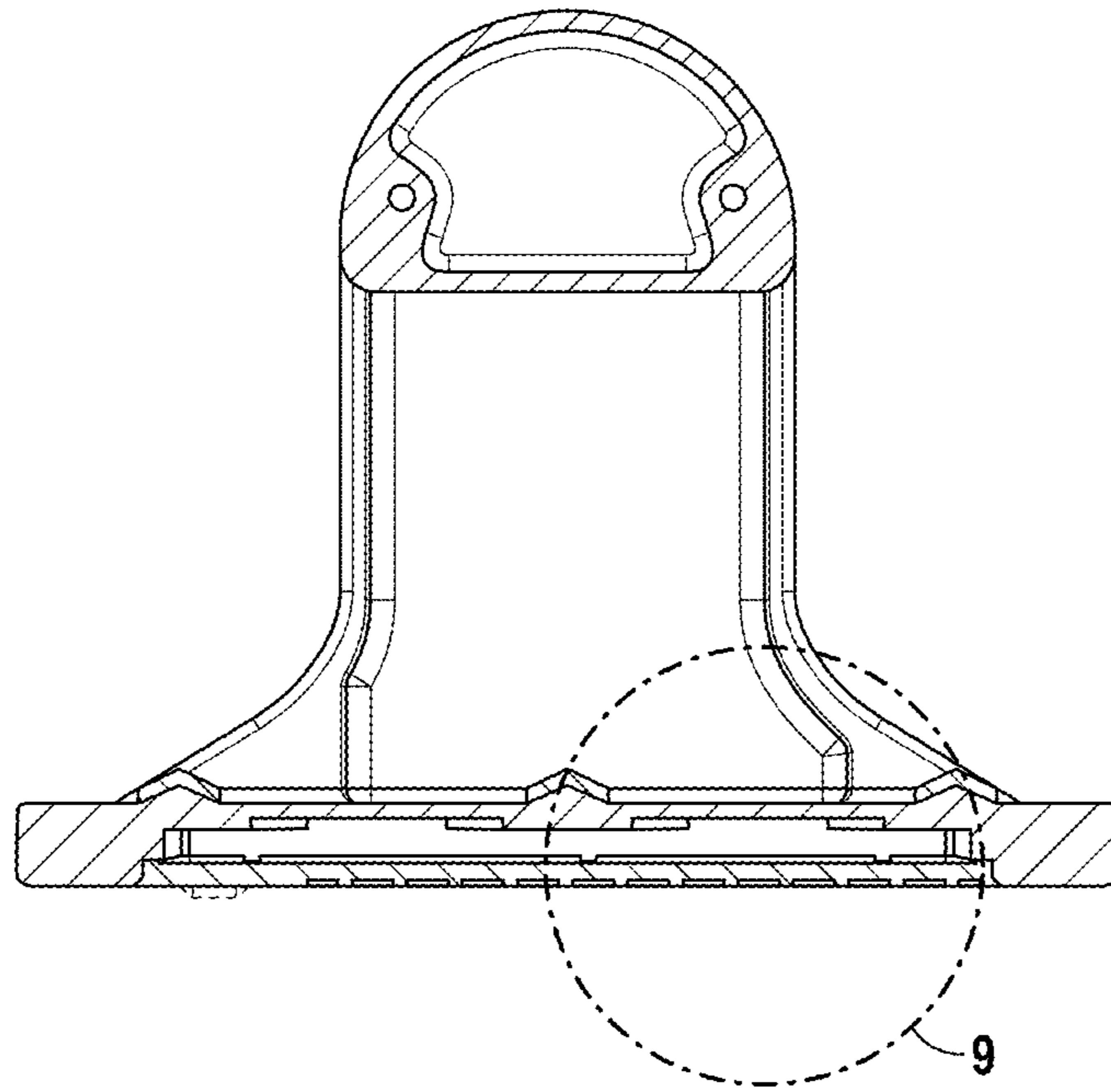


FIG. 8

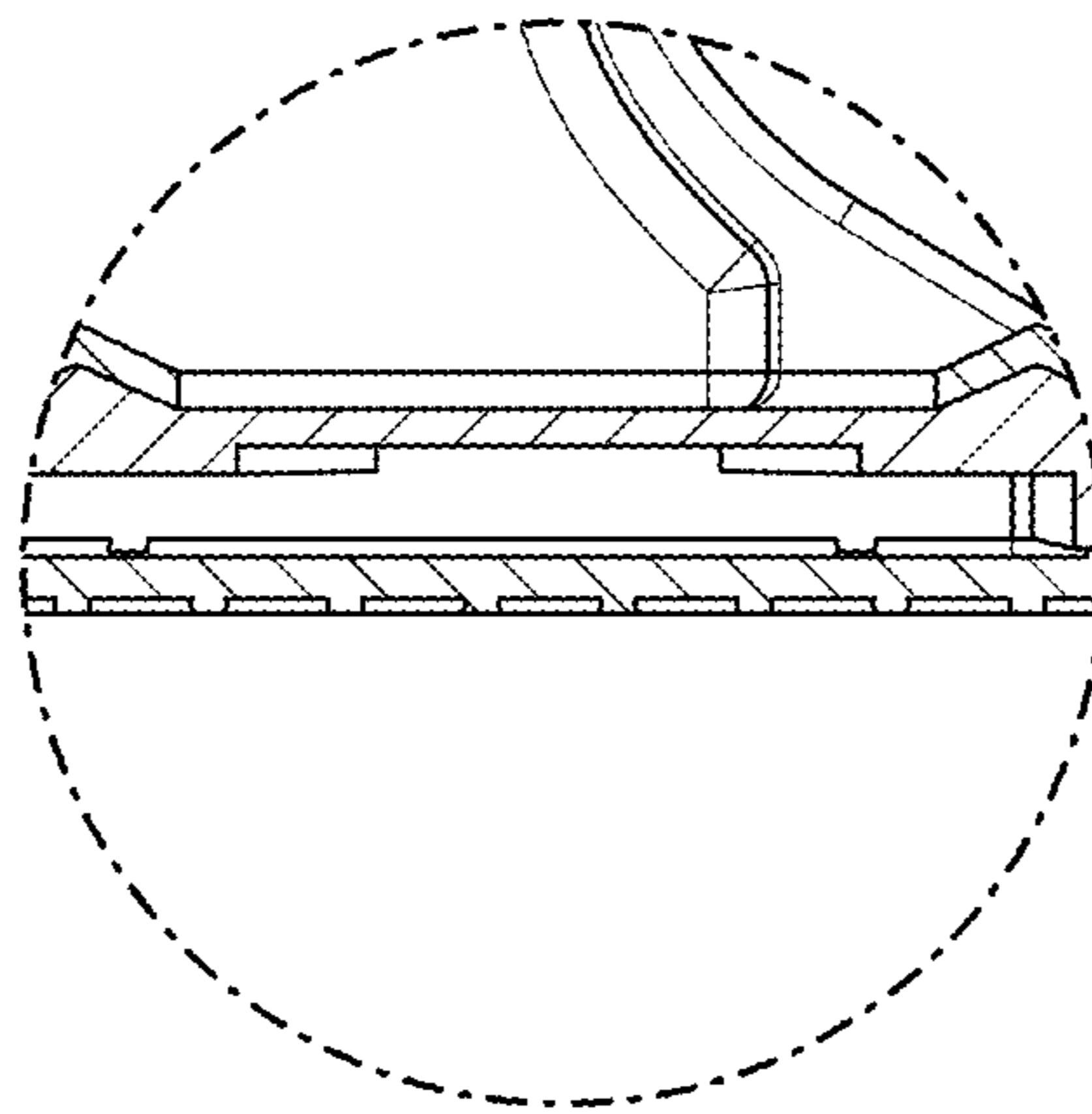


FIG. 9