



US00D76992S

(12) **United States Design Patent** (10) **Patent No.:** **US D769,992 S**
Rost (45) **Date of Patent:** **** Oct. 25, 2016**

| | | | | | |
|--|----------------|---------|----------------|-------|--------------|
| (54) STABILITY AND STRENGTH TRAINING BASE | D363,752 S * | 10/1995 | Shumber | | D21/678 |
| | 6,190,292 B1 | 2/2001 | Panes | | 482/141 |
| | 6,387,022 B1 | 5/2002 | Smith | | |
| | 6,629,908 B2 | 10/2003 | Hamady | | |
| (71) Applicant: Innovative Rehab Products, LLC, Redmond, OR (US) | 7,052,445 B2 | 5/2006 | Ekhaus | | |
| | 7,175,573 B1 | 2/2007 | Huang | | |
| | 7,381,157 B2 | 6/2008 | Blateri | | |
| (72) Inventor: Brian Mitchell Rost, Redmond, OR (US) | 7,585,262 B1 * | 9/2009 | Vayntraub | | A63B 23/12 |
| | | | | | 482/129 |
| | 7,621,858 B2 * | 11/2009 | Sheron | | A63B 21/0618 |
| | | | | | 482/129 |
| (73) Assignee: Innovative Rehab Products, LLC, Redmond, OR (US) | D631,106 S * | 1/2011 | Zemel | | D21/662 |
| | 8,382,647 B1 * | 2/2013 | Hodes | | A63B 21/072 |
| | | | | | 482/108 |
| (**) Term: 14 Years | 8,454,483 B1 | 6/2013 | Bradley et al. | | |

(Continued)

(21) Appl. No.: **29/509,256**

(22) Filed: **Nov. 14, 2014**

(51) **LOC (10) Cl.** **21-02**

(52) **U.S. Cl.**
USPC **D21/688**

(58) **Field of Classification Search**
USPC D21/662, 688, 713, 671, 692, 803, 680,
D21/398, 707, 678, 684, 714, 412, 421,
D21/413; 482/93, 106, 92, 132, 140, 141,
482/51, 907, 96, 125, 111, 910, 79, 123,
482/121, 112, 148, 909, 91, 122, 131, 126,
482/142, 129, 105, 147, 146, 77, 135, 108,
482/62; D30/160, 117; 446/220, 226, 448;
473/596, 576; 601/131, 23
CPC A63B 23/1236; A63B 21/4035; A63B
2208/12; A63B 21/0552; A63B 21/0557;
A63B 23/12; A63B 41/00; A63B 21/0442;
A63B 41/08; A63B 21/00047; A63B
21/0004; A63B 23/16
See application file for complete search history.

Primary Examiner — Robert M Spear
Assistant Examiner — Ryan Harvey
 (74) *Attorney, Agent, or Firm* — Alleman Hall McCoy
 Russell & Tuttle LLP

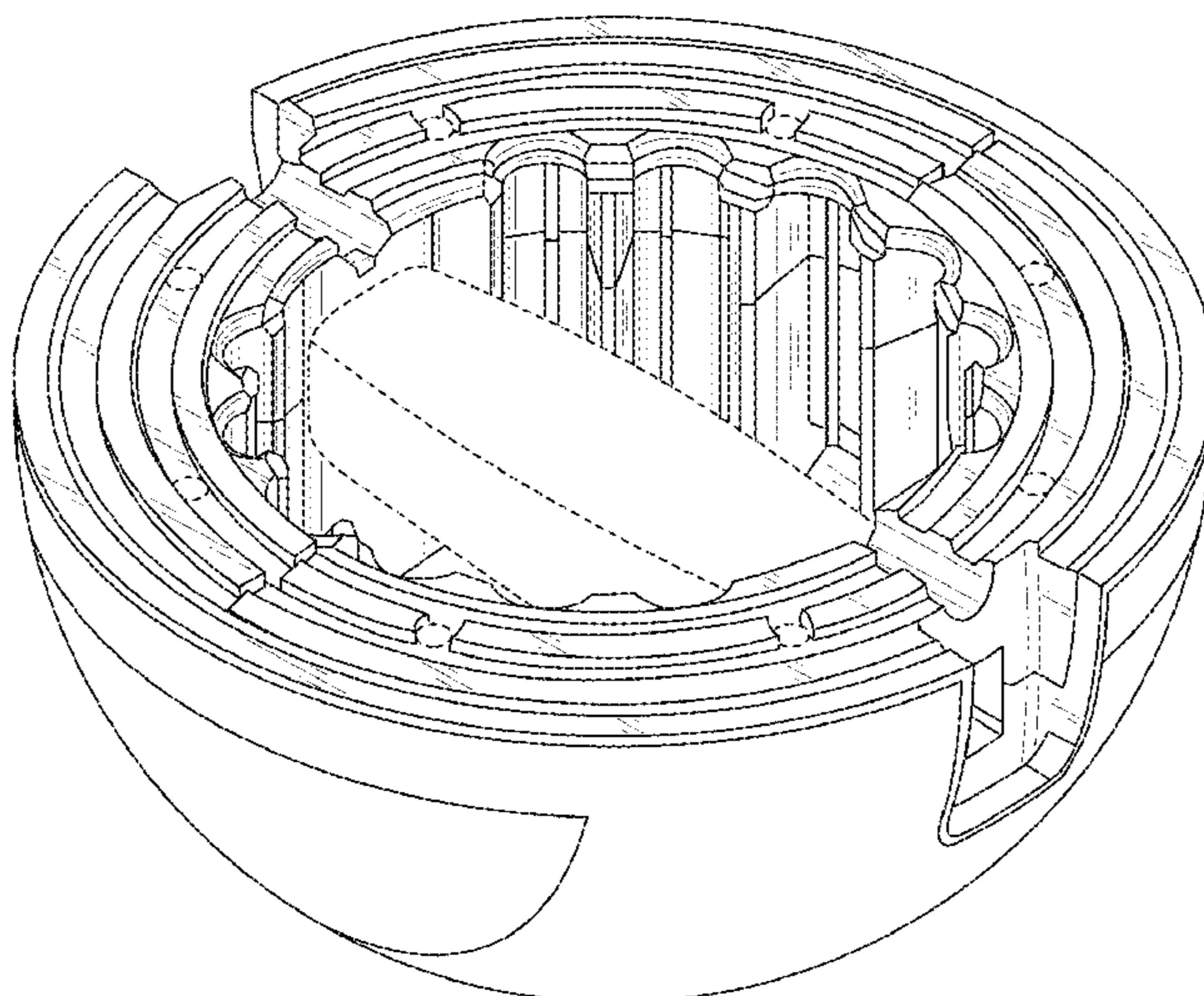
(57) **CLAIM**
 The ornamental design for a stability and strength training base, as shown and described.

DESCRIPTION

FIG. 1 shows a perspective view of a stability and strength training base.
 FIG. 2 shows a front elevation view thereof;
 FIG. 3 shows a left side elevation view thereof;
 FIG. 4 shows a back view thereof;
 FIG. 5 shows a right side elevation view thereof;
 FIG. 6 shows a top plan view thereof;
 FIG. 7 shows a bottom plan view thereof;
 FIG. 8 shows a perspective view of the stability and strength training base of FIG. 1 in a condition of use; and,
 FIG. 9 shows a top plan view of the stability and strength training base of FIG. 1 in an alternate condition of use.
 The broken lines in FIGS. 1, 6, 8, and 9 illustrate the environmental structure of a stability and strength training base and form no part of the claimed design.

(56) **References Cited**
 U.S. PATENT DOCUMENTS
 2,115,926 A * 5/1938 Hatton A63B 43/02
 473/596
 D241,869 S * 10/1976 Hilprecht D21/713

1 Claim, 9 Drawing Sheets



(56)

References Cited

U.S. PATENT DOCUMENTS

| | | | |
|-------------------|---------|-----------------|--------------------------|
| 8,454,485 B1 * | 6/2013 | Hodes | A63B 21/0726 482/108 |
| 8,814,768 B1 * | 8/2014 | Yang | A63B 22/18 482/121 |
| 8,882,645 B2 * | 11/2014 | Baptiste | A63B 21/028 482/121 |
| 9,192,814 B1 * | 11/2015 | Smart | A63B 23/1236 |
| 9,216,315 B1 * | 12/2015 | Chang | A63B 23/1236 |
| 2010/0261590 A1 * | 10/2010 | Fares | A63B 21/00047 482/131 |
| 2012/0053024 A1 * | 3/2012 | Mendoza | A63B 21/072 482/106 |
| 2012/0139727 A1 | 6/2012 | Houvener et al. | |
| 2012/0157270 A1 * | 6/2012 | Johnson | A63B 21/075 482/93 |
| 2012/0258847 A1 | 10/2012 | Lafferty | |
| 2013/0130848 A1 | 5/2013 | Homs et al. | |
| 2014/0038795 A1 * | 2/2014 | Sassano | A63B 23/02 482/141 |
| 2015/0190672 A1 * | 7/2015 | Rost | A63B 23/0355 482/93 |

* cited by examiner

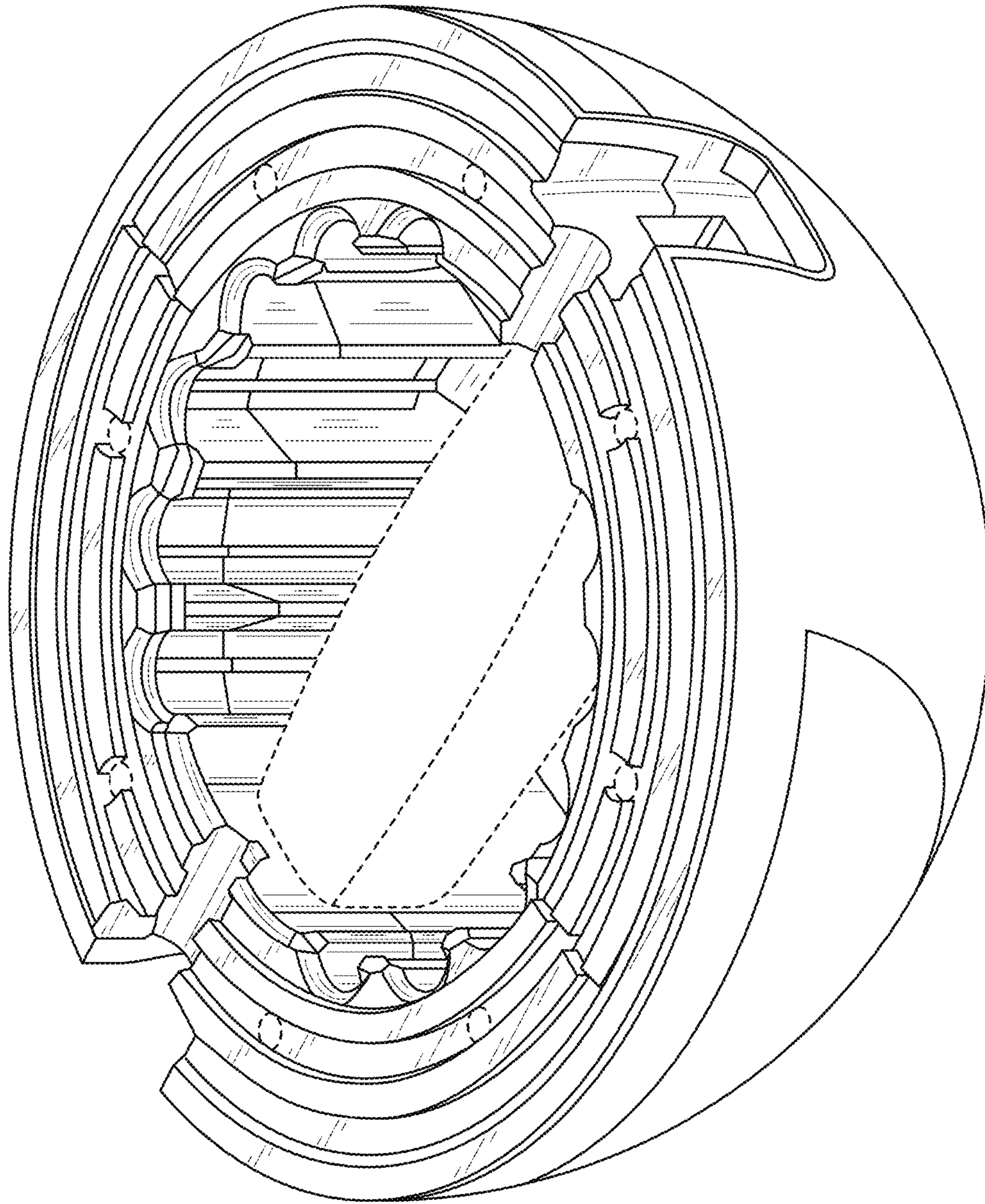


FIG. 1

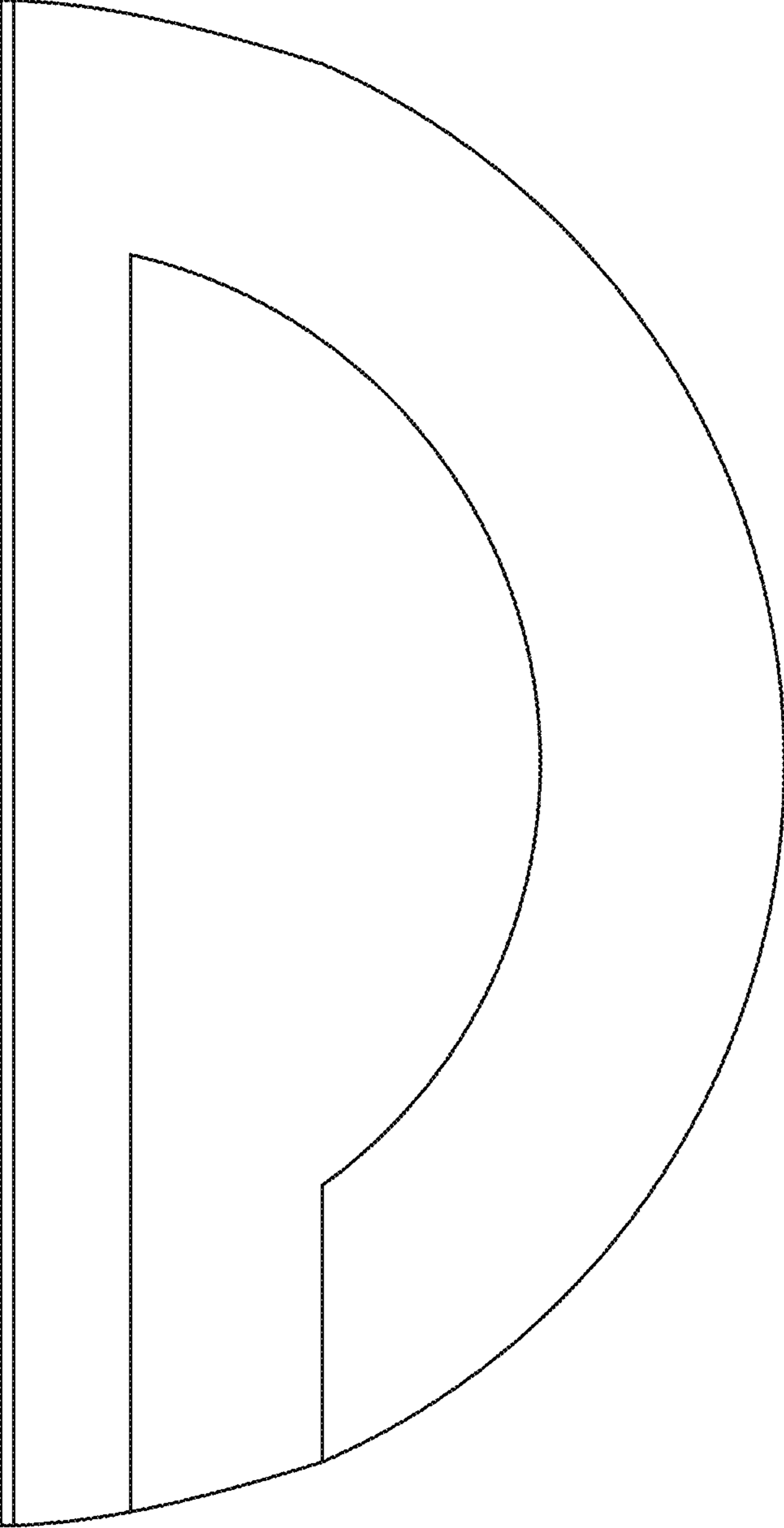


FIG. 2

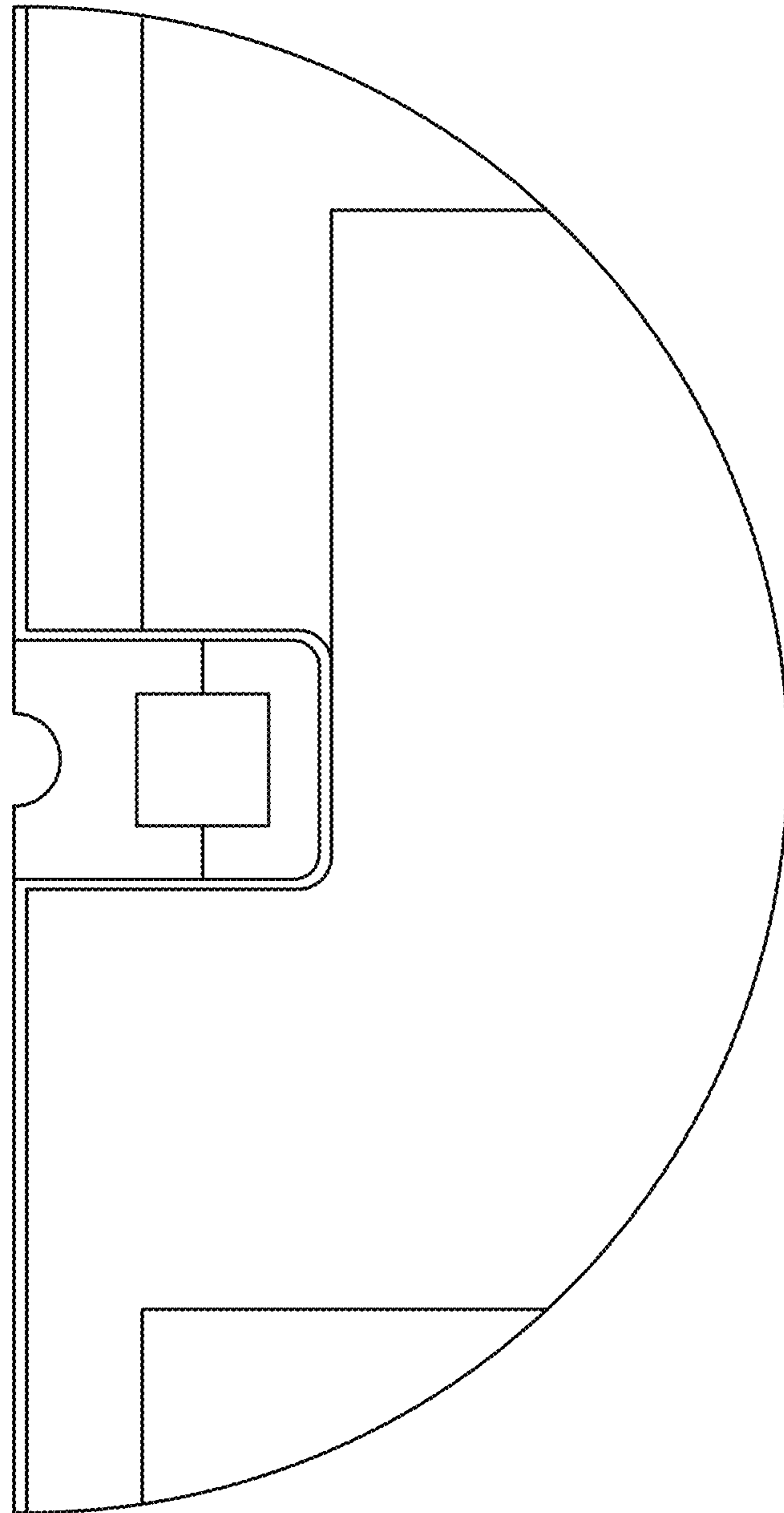


FIG. 3

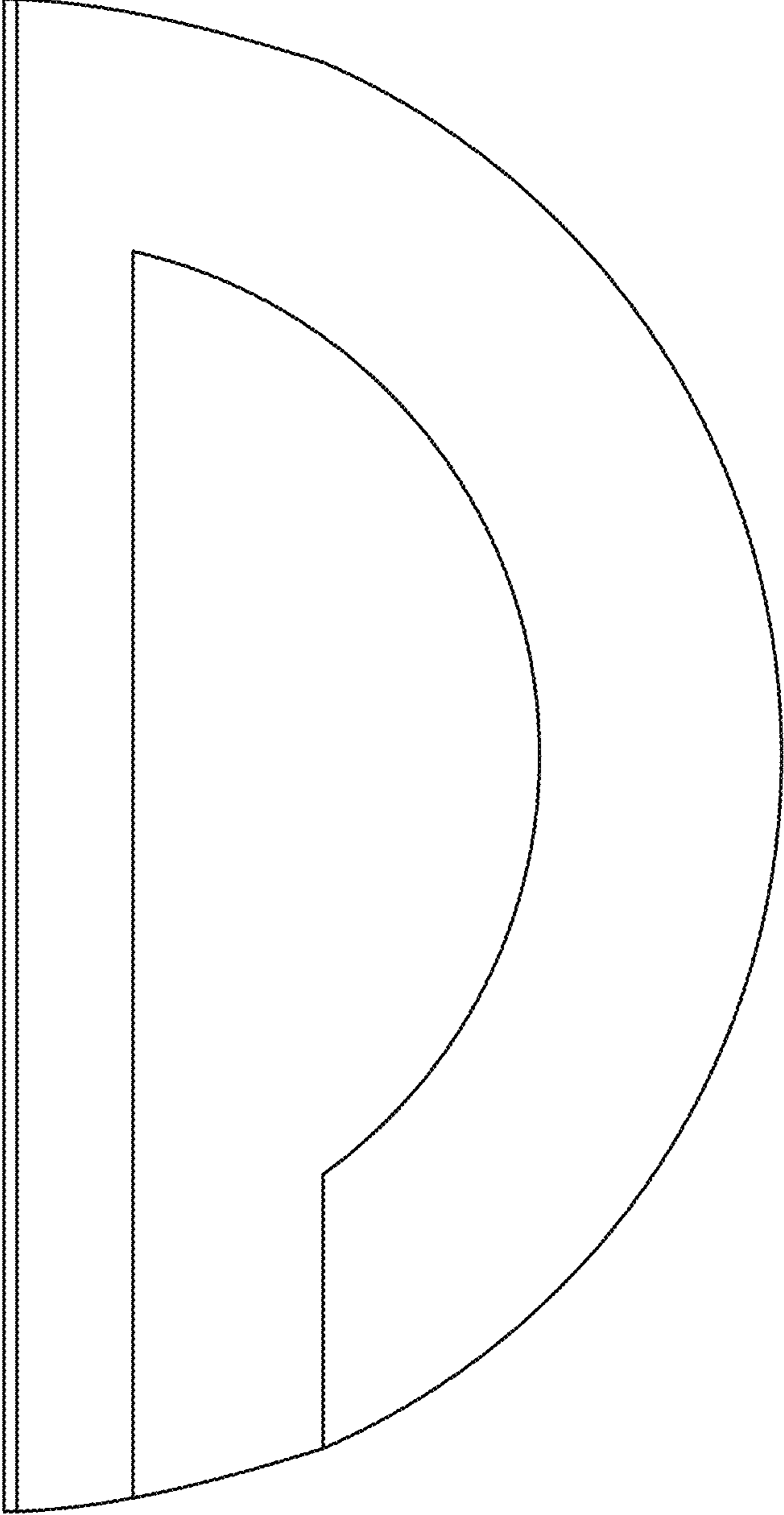


FIG. 4

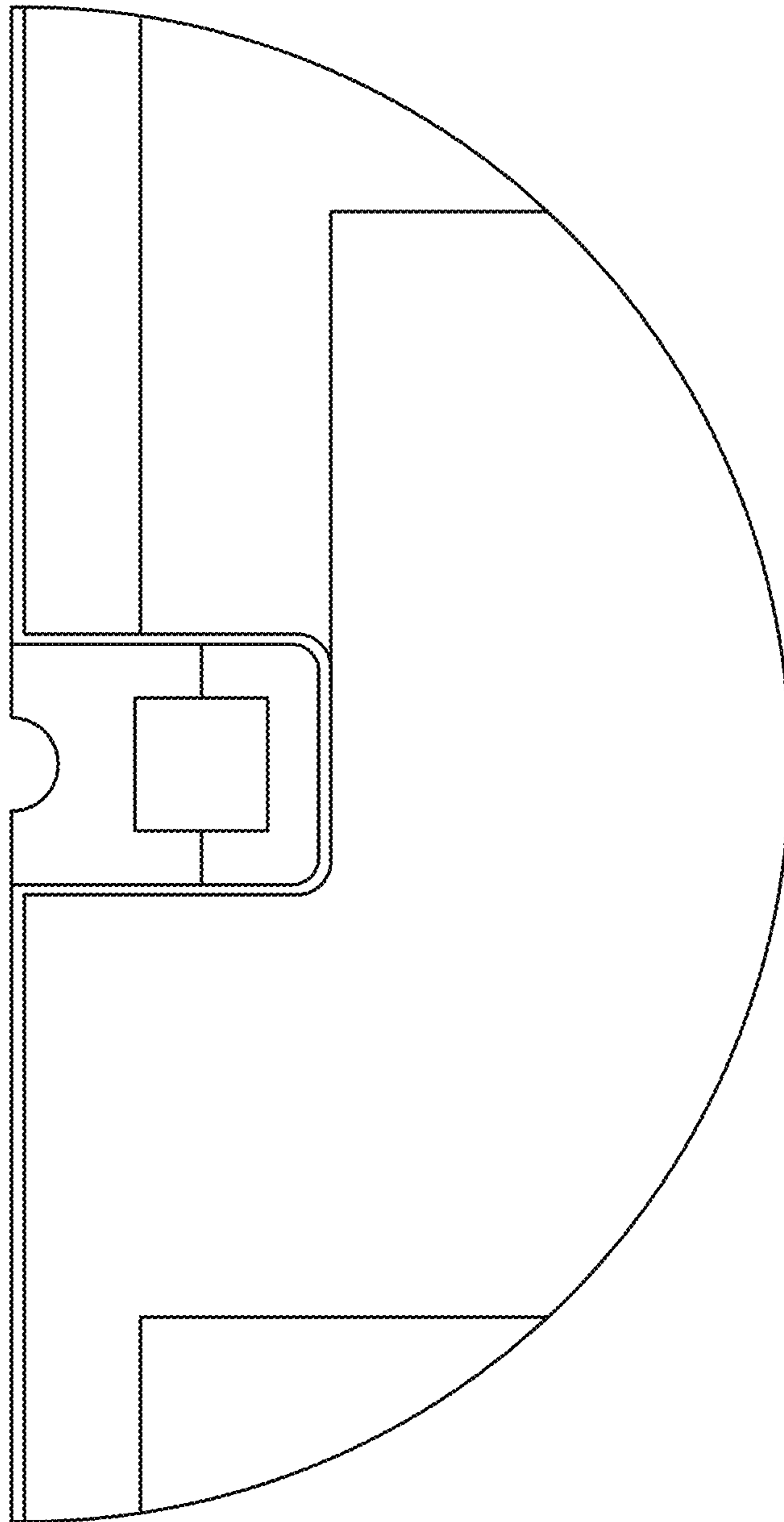


FIG. 5

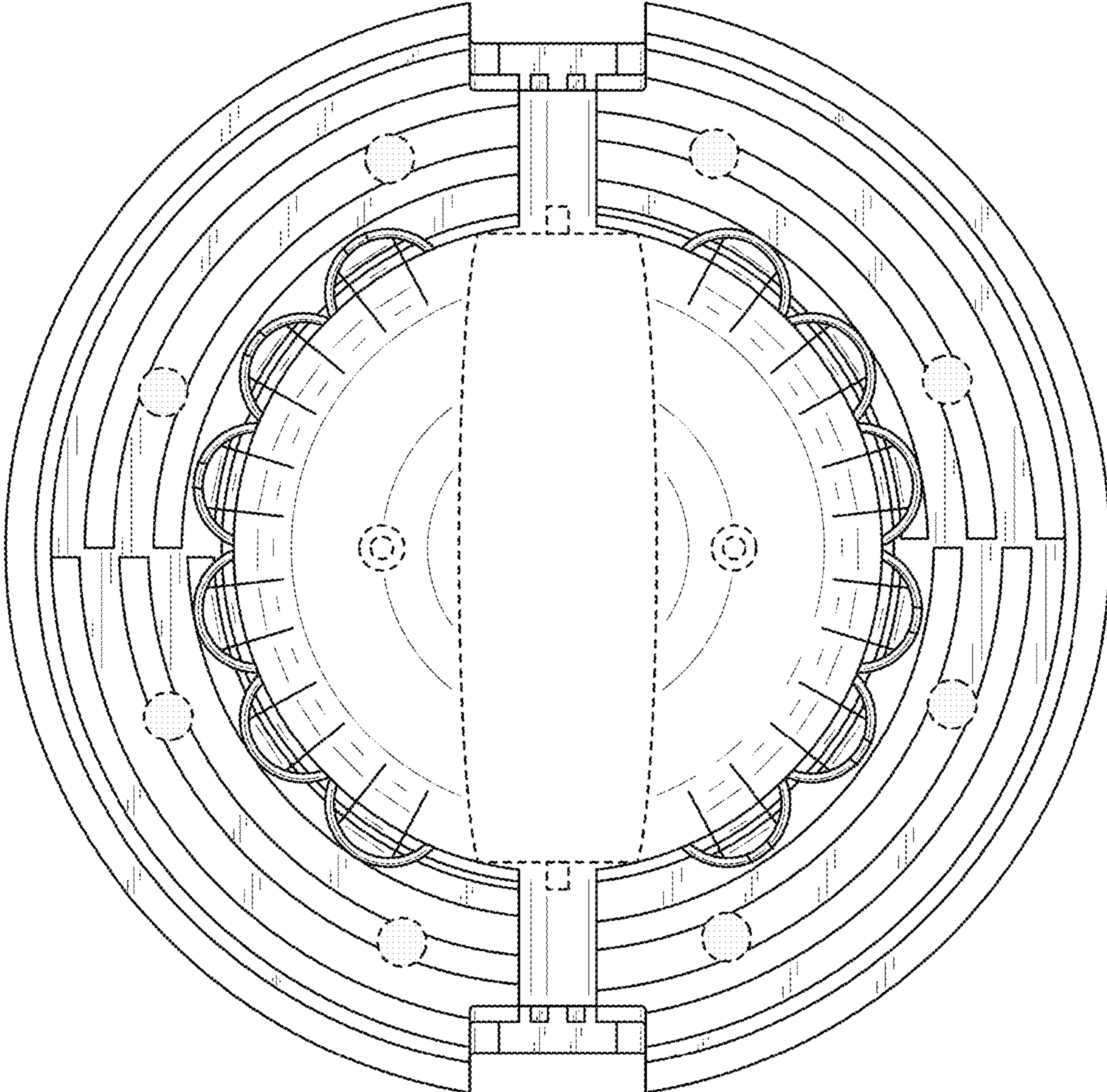


FIG. 6

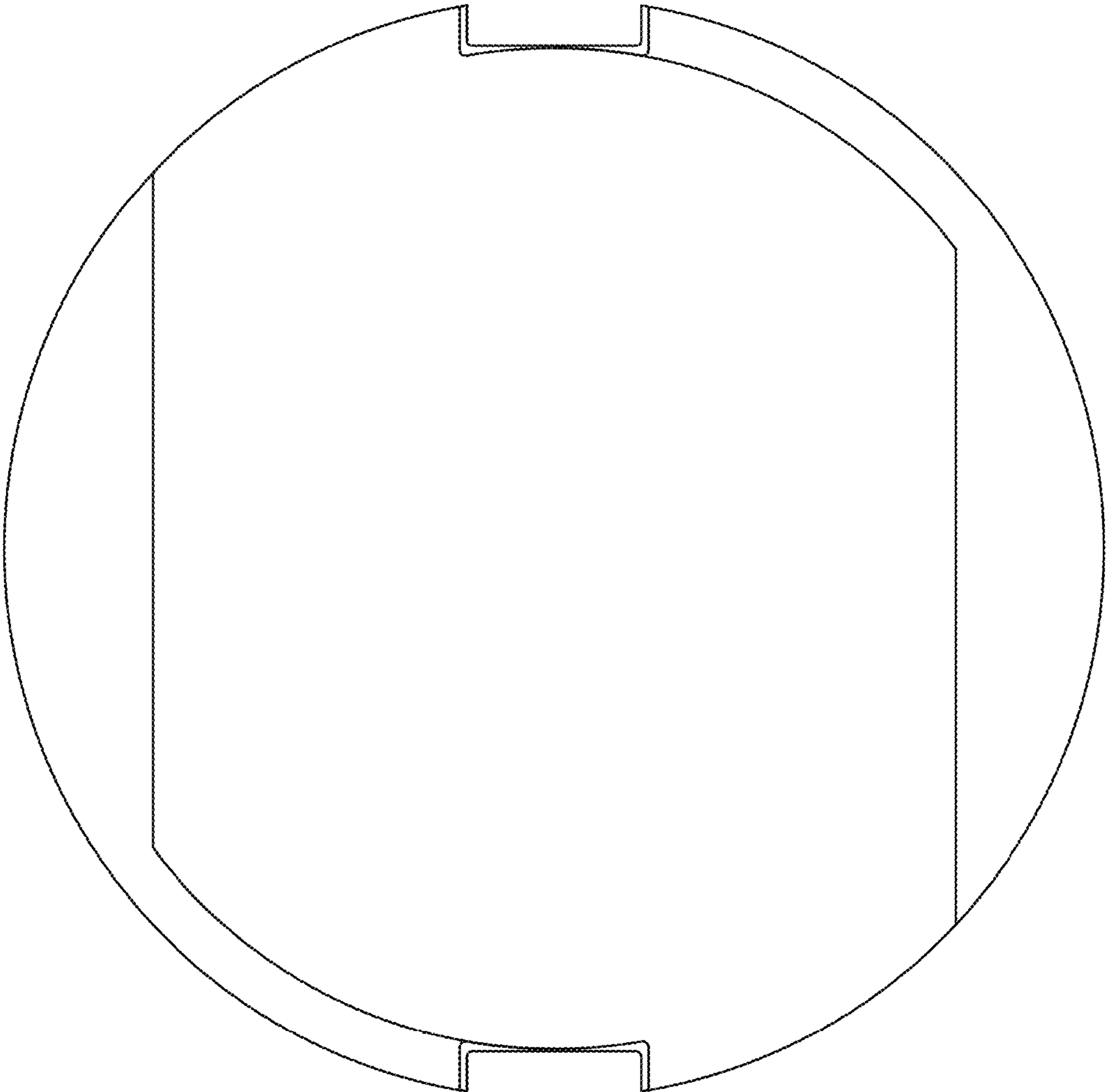


FIG. 7

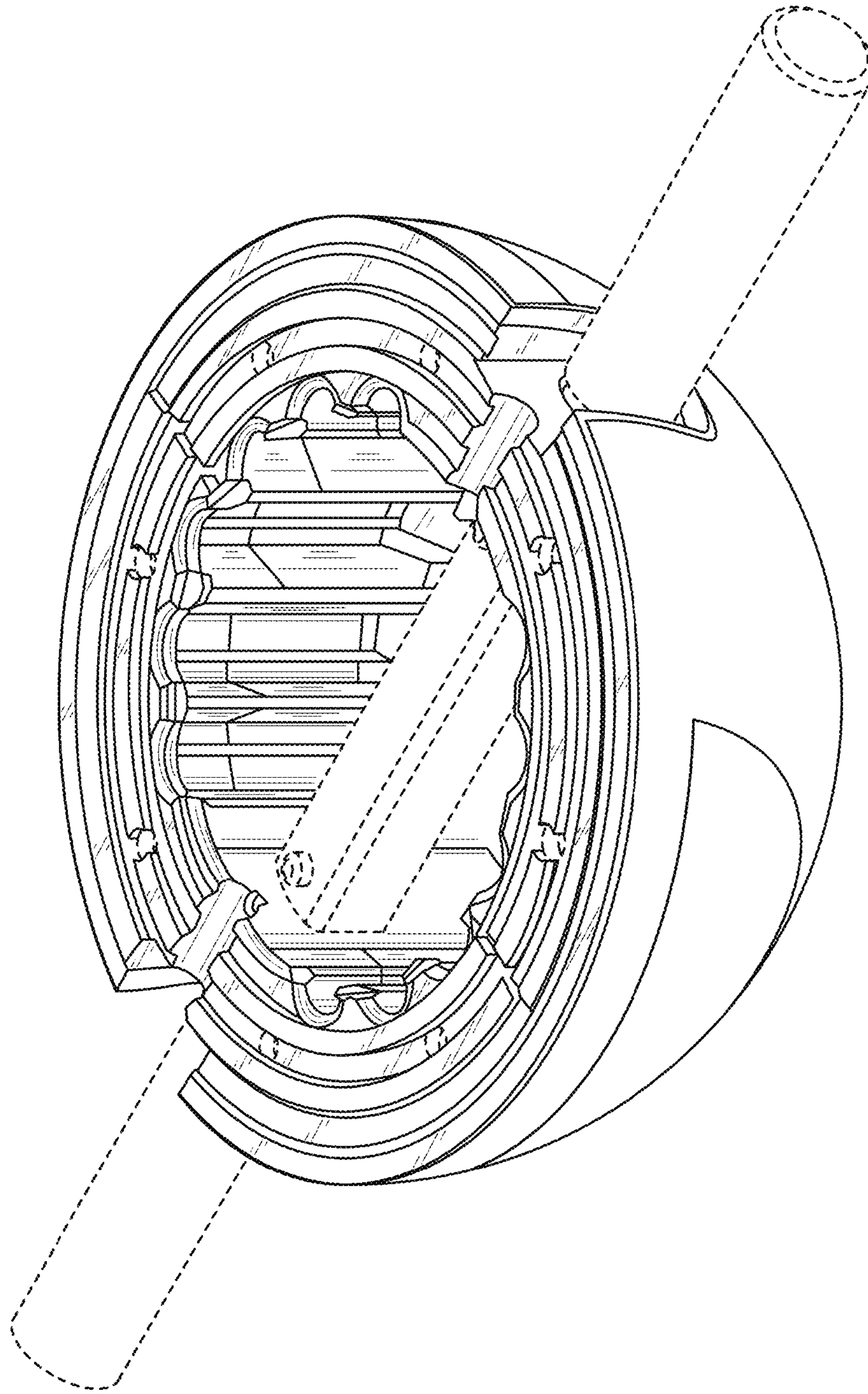


FIG. 8

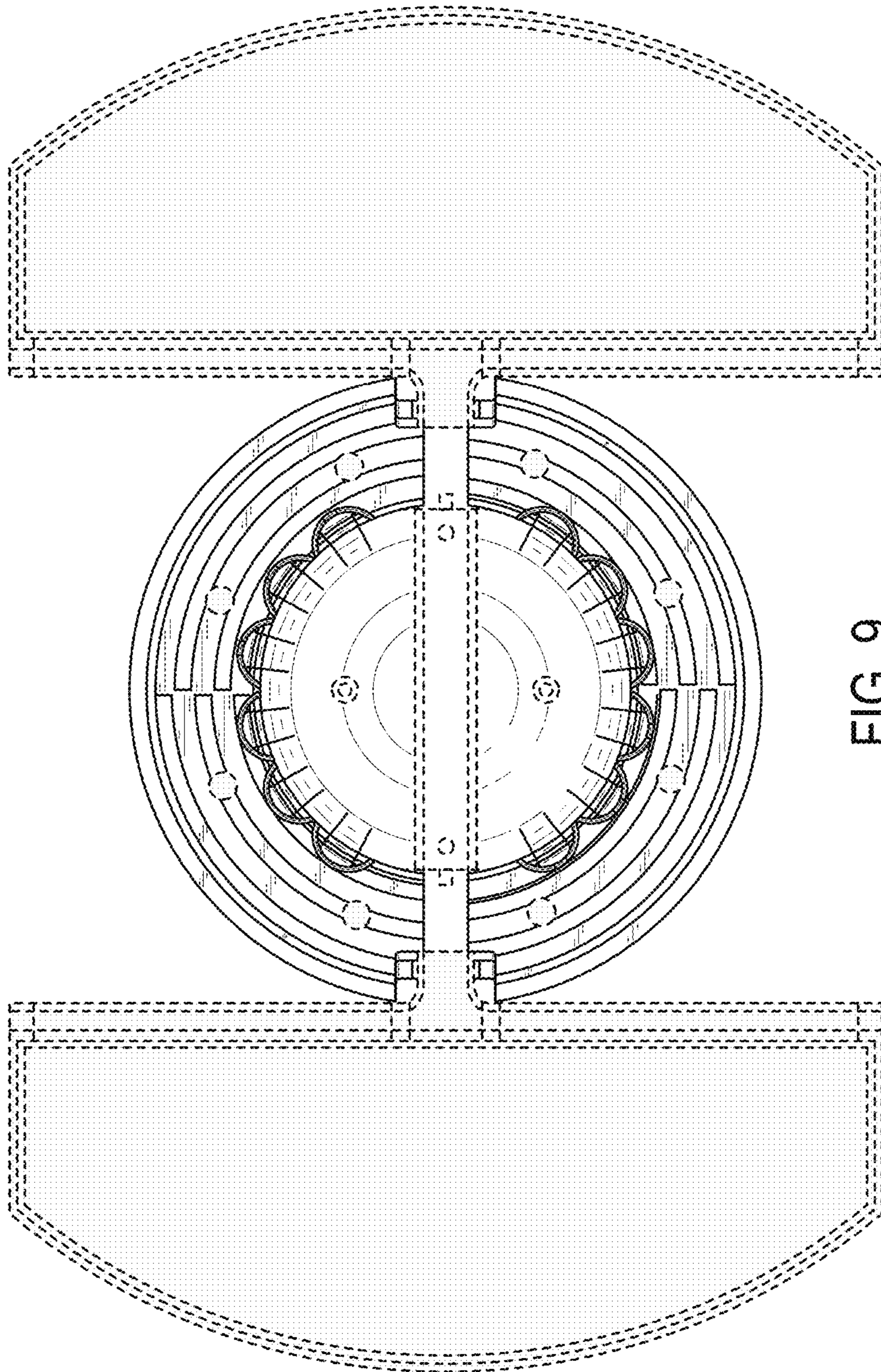


FIG. 9