



US00D769991S

(12) **United States Design Patent** (10) **Patent No.:** **US D769,991 S**  
**Thomas** (45) **Date of Patent:** **\*\* Oct. 25, 2016**

(54) **PAIR OF SPOTTER ARMS FOR WEIGHT BENCH**

(71) Applicant: **Rex Michael Thomas**, Buena Park, CA (US)

(72) Inventor: **Rex Michael Thomas**, Buena Park, CA (US)

(\*\*) Term: **14 Years**

(21) Appl. No.: **29/525,809**

(22) Filed: **May 4, 2015**

(51) **LOC (10) Cl.** ..... **21-02**

(52) **U.S. Cl.**  
USPC ..... **D21/686**

(58) **Field of Classification Search**  
USPC ..... D21/686, 690, 676, 662, 691, 673, 697, D21/797, 826, 694, 671, 685, 688, 689; 482/129, 92, 104, 142, 57, 63, 138, 94, 482/106, 108, 908, 130, 146, 147, 34, 135, 482/101, 97, 139, 62, 51, 37, 121, 126, 148, 482/113, 137; D6/708, 552, 675, 675.5, D6/349, 301; D3/307, 273, 276, 298, 277, D3/294, 350; D7/510, 511; D12/114, 411, D12/414.1; D25/1, 33, 126  
CPC ..... A63B 22/0605; A63B 21/4029; A63B 23/0211; A63B 21/225; A63B 21/4035; A63B 21/078

See application file for complete search history.

(56) **References Cited**

**U.S. PATENT DOCUMENTS**

4,368,884 A \* 1/1983 Colvin ..... A63B 21/4029 482/104  
4,411,425 A 10/1983 Milnar

5,217,421 A 6/1993 Chrysler  
5,281,193 A \* 1/1994 Colbo, Jr. .... A63B 21/078 482/104  
D446,560 S \* 8/2001 Ceppo ..... D21/662  
6,447,433 B1 \* 9/2002 Reyes ..... A63B 21/078 482/104  
D495,381 S \* 8/2004 Ceppo ..... D21/686  
6,926,648 B2 8/2005 Capizzo  
2008/0113852 A1 \* 5/2008 Caldwell ..... A63B 21/00047 482/133  
2014/0187391 A1 \* 7/2014 Kelly ..... A63B 21/0724 482/104  
2014/0287888 A1 \* 9/2014 Jones ..... A63B 21/078 482/104  
2015/0011367 A1 \* 1/2015 Schmidt ..... A63B 21/078 482/104

\* cited by examiner

*Primary Examiner* — Robert M Spear

*Assistant Examiner* — Ryan Harvey

(74) *Attorney, Agent, or Firm* — James F. Kirk

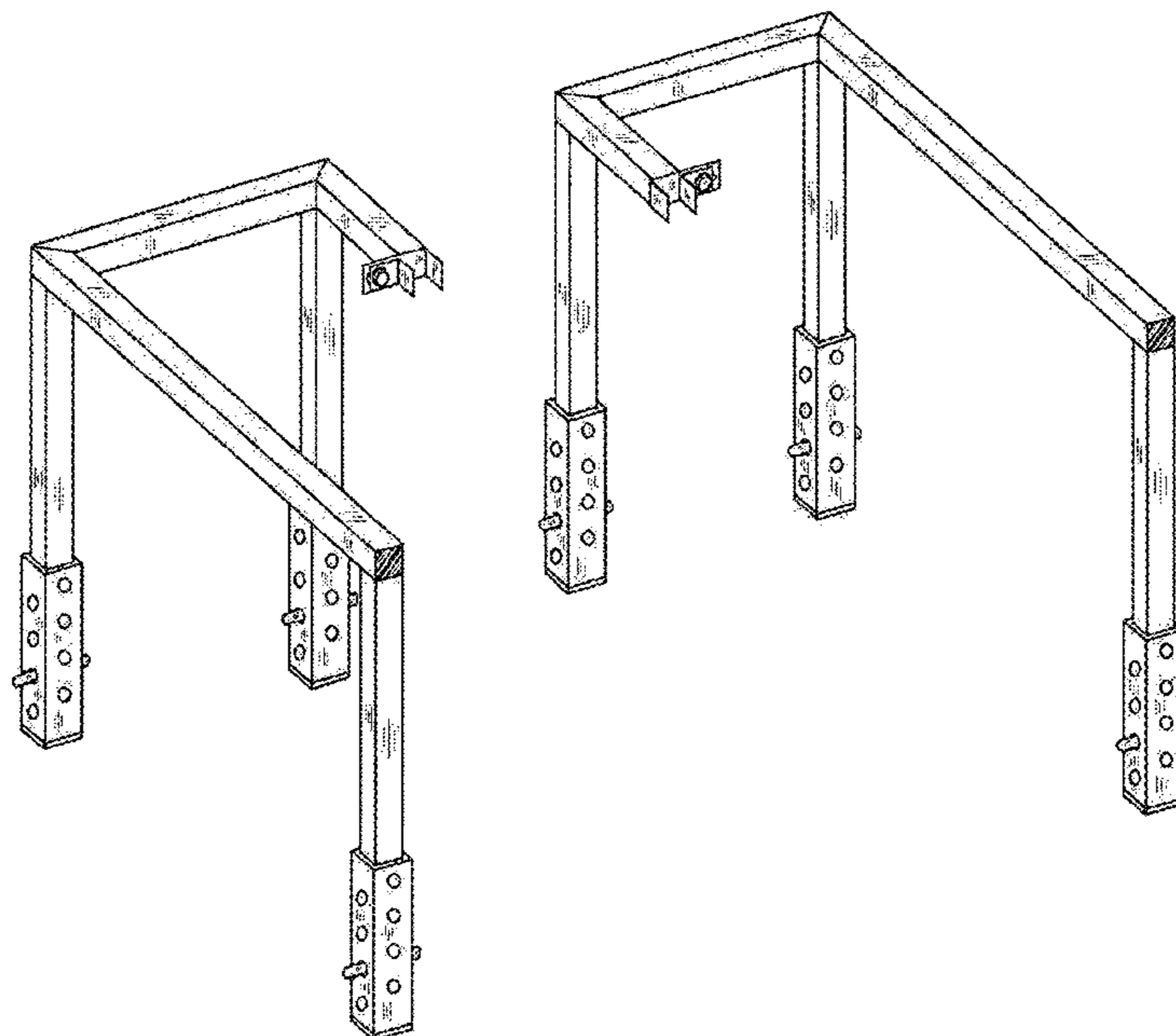
(57) **CLAIM**

The ornamental design for a pair of spotter arms for weight bench, as shown and described.

**DESCRIPTION**

FIG. 1 is a front left perspective view of a pair of spotter arms for weight bench showing my new design. FIG. 2 is a right rear perspective view thereof; and, FIG. 3 is a top plan view thereof. The broken lines illustrate environment that forms no part of the claimed design.

**1 Claim, 3 Drawing Sheets**



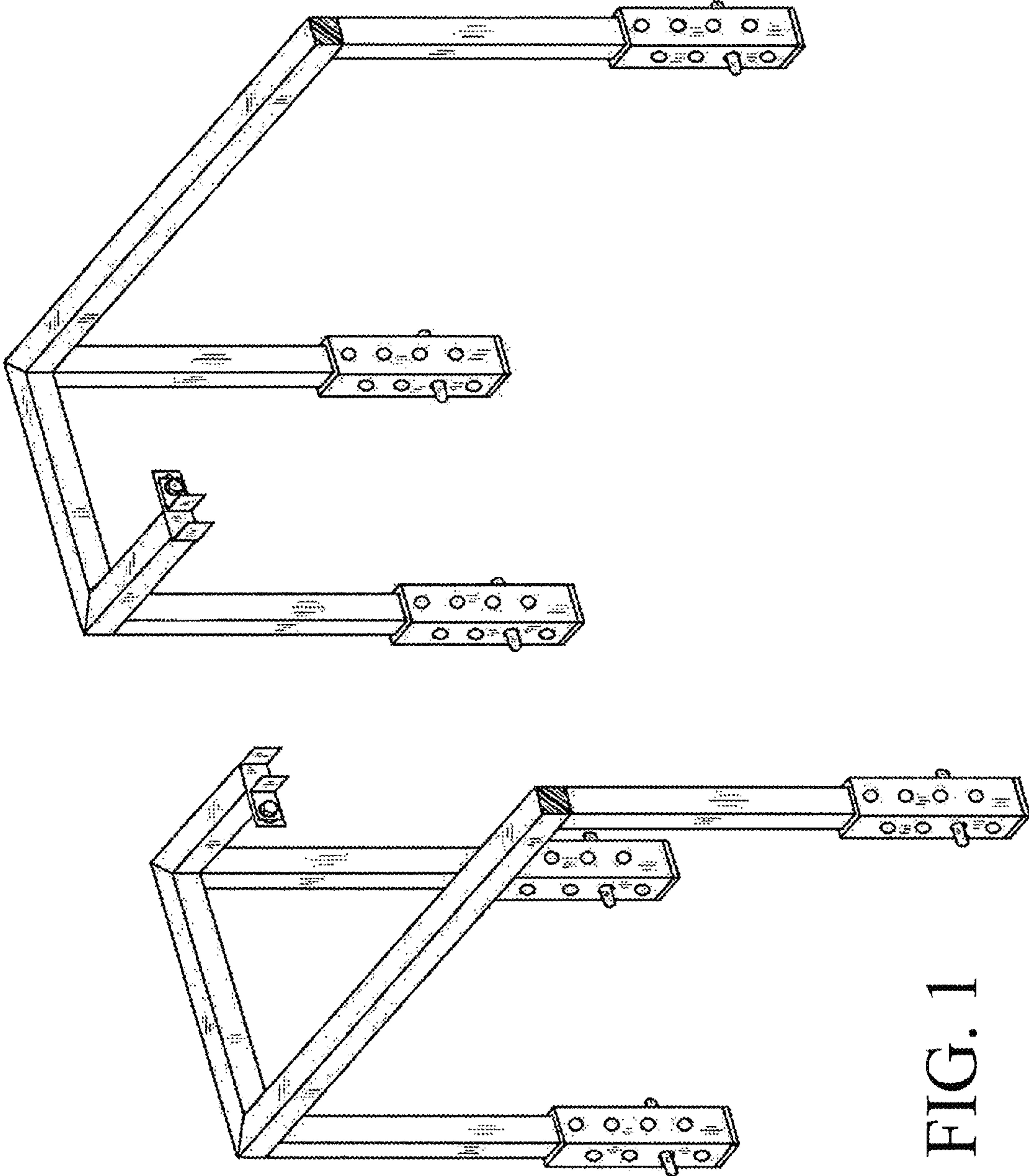


FIG. 1

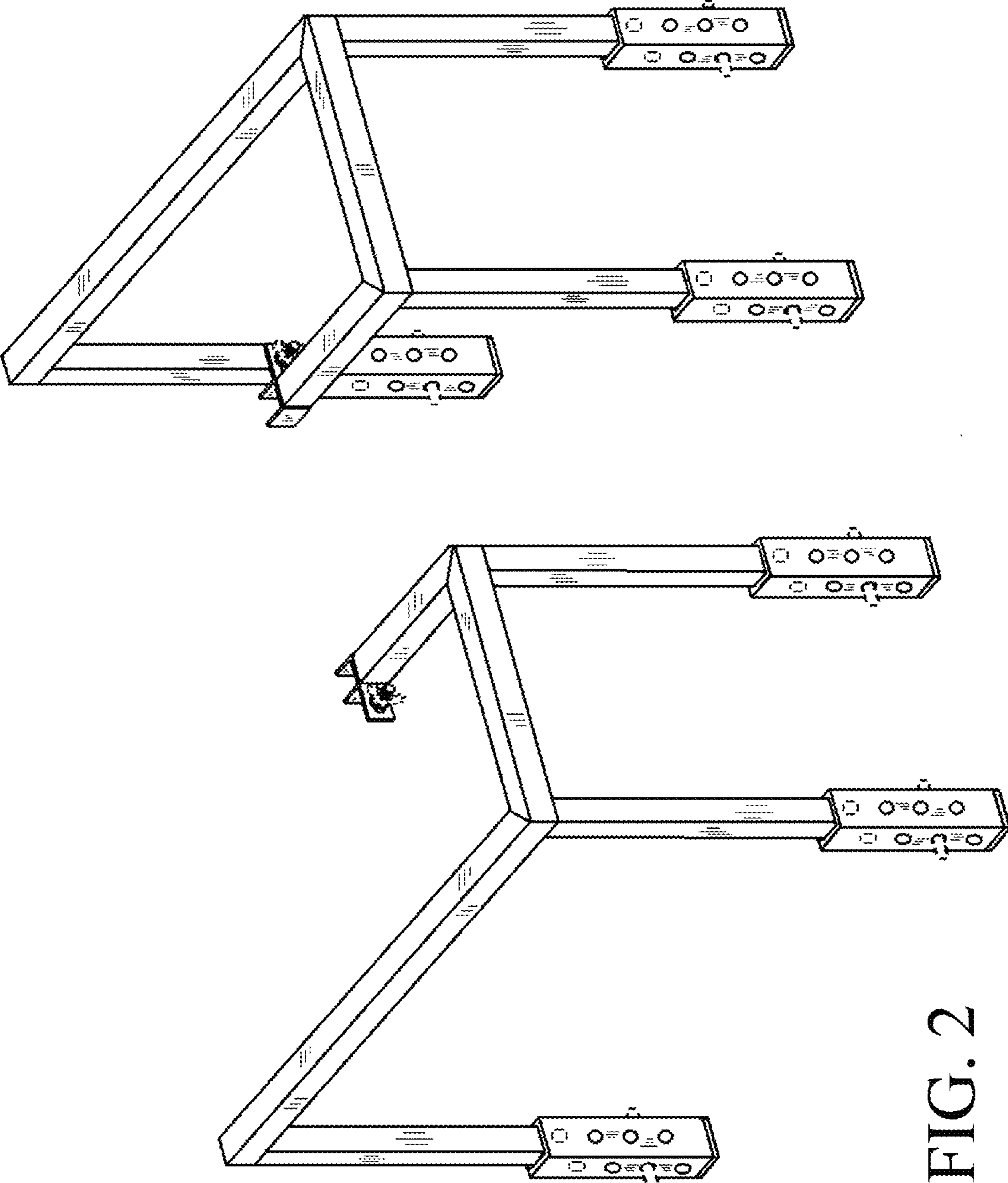


FIG. 2

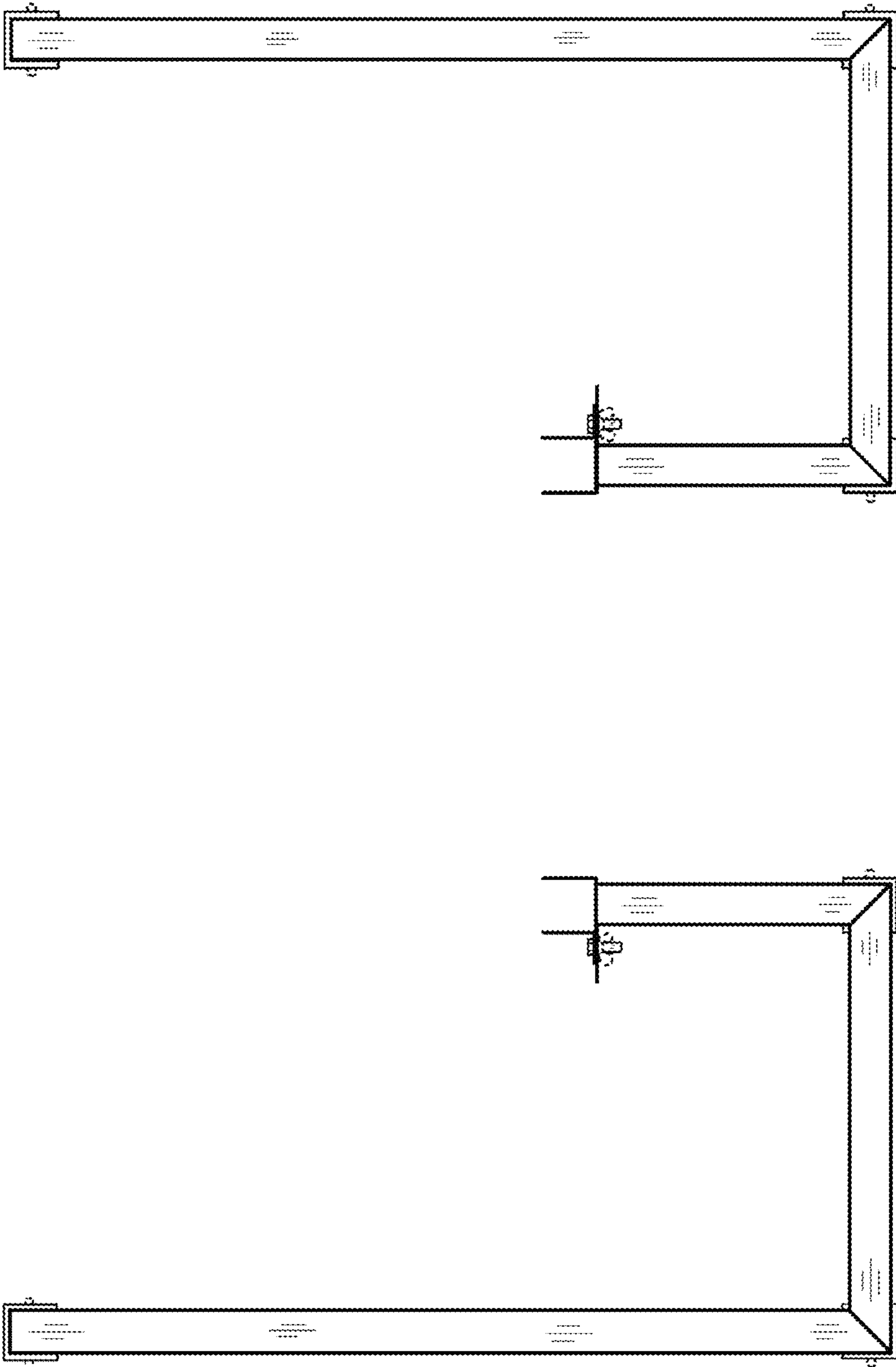


FIG. 3