



US00D76990S

(12) **United States Design Patent** (10) **Patent No.:** **US D769,990 S**
Jung (45) **Date of Patent:** **** Oct. 25, 2016**

(54) **SPHERICAL DUMBBELL**
(71) Applicant: **JBELLS, LLC**, Las Vegas, NV (US)
(72) Inventor: **Jea H. Jung**, Las Vegas, NV (US)
(73) Assignee: **JBELLS, LLC**, Las Vegas, NV (US)

5,496,244 A * 3/1996 Caruthers A63B 21/0605
482/108
D372,945 S 8/1996 Morgan
5,637,064 A 6/1997 Olson
D438,265 S 2/2001 Fenelon
D468,378 S * 1/2003 Routzong D21/398
(Continued)

(**) Term: **15 Years**

FOREIGN PATENT DOCUMENTS

(21) Appl. No.: **29/529,976**

CN 202315099 U 7/2012
JP 2004-255006 A 9/2004

(22) Filed: **Jun. 11, 2015**

(Continued)

(51) **LOC (10) Cl.** **21-02**

OTHER PUBLICATIONS

(52) **U.S. Cl.**

USPC **D21/681**

(58) **Field of Classification Search**

USPC D21/681, 678, 682, 662, 798, 787, 713,
D21/398, 707, 801; D30/160; D1/199;
D8/15; 428/600, 148, 141, 108, 1;
482/108, 141, 93, 50, 88, 62; 473/596;
273/DIG. 20, DIG. 8; 2/18; D12/565
CPC A63B 21/075; A63B 21/0728; A63B
21/00065; A63B 21/0726; A63B 21/072;
A63B 21/4035

Rogue Thompson Fatbells by Rogue dated Mar. 2006. Found line
[Mar. 10, 2016] http://www.roguefitness.com/rogue-thompson-fatbells?gclid=CNH4IMbQuMsCFVA8gQodmv4MfQ.*

(Continued)

See application file for complete search history.

Primary Examiner — Robert M Spear
Assistant Examiner — Ryan Harvey
(74) *Attorney, Agent, or Firm* — Weide & Miller, Ltd.

(57) **CLAIM**

The ornamental design for a spherical dumbbell, as shown and described.

(56) **References Cited**

DESCRIPTION

U.S. PATENT DOCUMENTS

113,966 A * 4/1871 Ballou A63B 21/075
482/108
3,185,476 A * 5/1965 Fechner A63B 43/02
2/18
D241,869 S * 10/1976 Hilprecht D21/713
D242,865 S * 12/1976 Stamm D21/682
D244,628 S * 6/1977 Wright D21/682
D274,283 S * 6/1984 Wright 482/108
D307,168 S * 4/1990 Vodhanel D21/682
D321,230 S 10/1991 Leonesio
D344,113 S * 2/1994 Shelton D21/678
5,346,450 A 9/1994 Caruthers
D363,752 S * 10/1995 Shumber D21/678

FIG. 1 is a perspective view of a spherical dumbbell showing the new design.

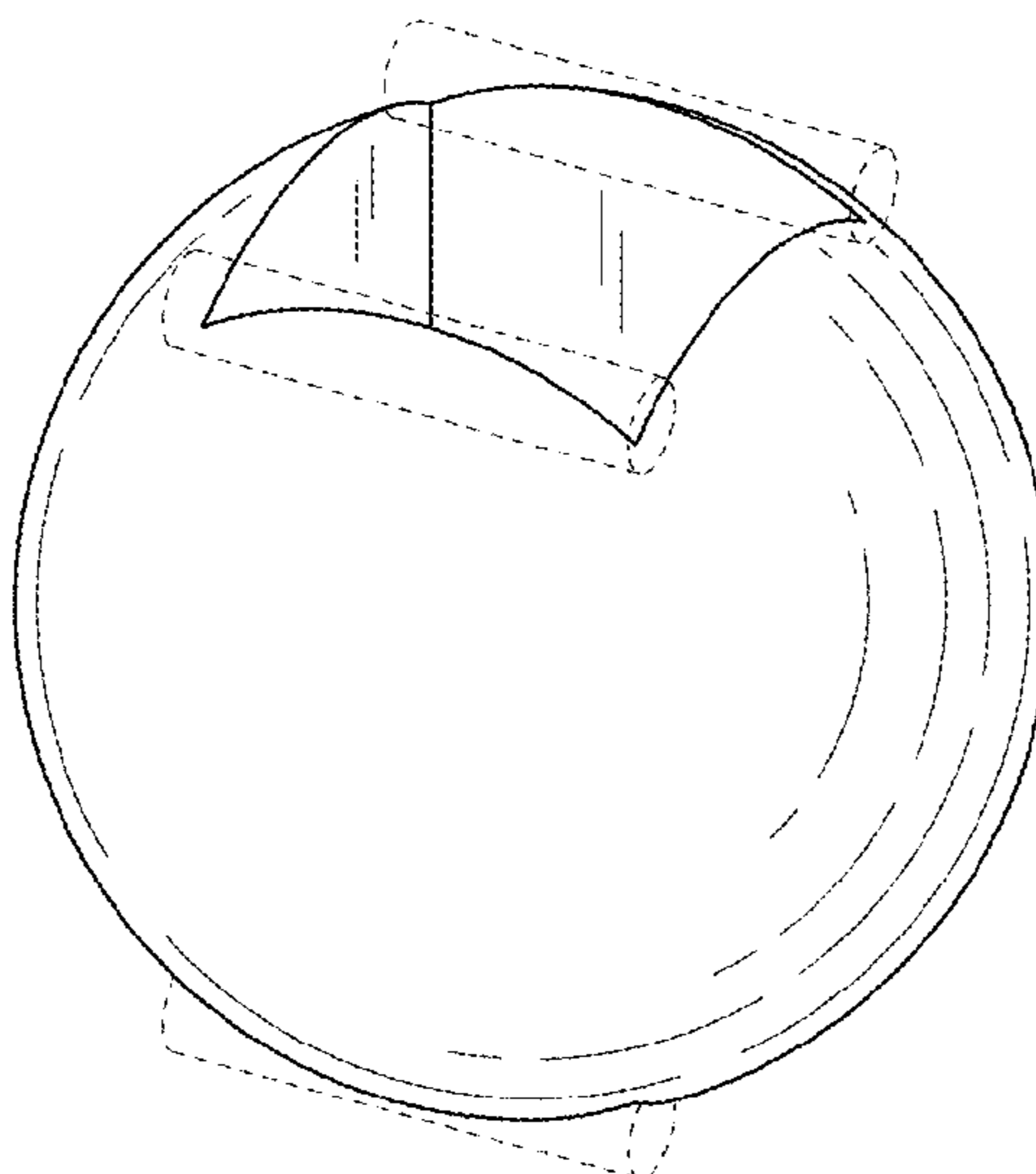
FIG. 2 is a top view of the spherical dumbbell shown in FIG. 1.

FIG. 3 is a side view of the spherical dumbbell shown in FIG. 1; and,

FIG. 4 is a side view of the spherical dumbbell shown in FIG. 1.

The broken lines indicate unclaimed portions of the article and form no part of the claimed design.

1 Claim, 1 Drawing Sheet



(56)

References Cited

U.S. PATENT DOCUMENTS

D480,438 S * 10/2003 Walkow D21/681
 D515,652 S * 2/2006 McCreath D21/787
 7,014,598 B2 3/2006 Fenelon et al.
 D545,509 S * 6/2007 Wang D30/160
 D549,889 S * 8/2007 Winkler D30/160
 D553,809 S * 10/2007 Gick D12/565
 D575,361 S * 8/2008 Davis D21/682
 7,585,262 B1 * 9/2009 Vayntraub A63B 23/12
 482/141
 7,878,952 B2 2/2011 Fenelon
 D651,671 S * 1/2012 Ross D21/662
 8,394,004 B2 3/2013 Towley, III
 8,454,485 B1 * 6/2013 Hodes A63B 21/0726
 482/108
 8,608,627 B2 12/2013 Ross
 8,668,630 B2 3/2014 Towley, III
 D707,303 S * 6/2014 Saber D21/398
 D707,776 S * 6/2014 Rubey D21/801
 D731,011 S * 6/2015 Buchanan D21/682
 D736,483 S * 8/2015 Crane D30/160
 D740,894 S * 10/2015 Slowey D21/680
 D740,895 S * 10/2015 Slowey D21/680
 D746,002 S * 12/2015 Crane D30/160
 2003/0060346 A1 * 3/2003 Wu A63B 21/06
 482/108
 2005/0233873 A1 10/2005 Chen

2011/0263393 A1* 10/2011 Ross A63B 21/072
 482/93
 2014/0274597 A1 9/2014 Towley, III
 2015/0360074 A1* 12/2015 Jung A63B 21/0726
 482/108

FOREIGN PATENT DOCUMENTS

JP 3135038 U 8/2007
 TW 201219084 A 5/2012
 WO 2011106970 A1 9/2011

OTHER PUBLICATIONS

Center Mass Bells by Sorinex dated No date given. Found line [Mar. 10, 2016] <http://store.sorinex.com/>.
 *
 Thompson Fatbells by Donnie Thompson dated 2011. Found line [Mar. 21, 2016] <http://thompsonbarbell.com/index.php/typography/thompson-fatbells>.
 *
 Heavyhands vs. Dumbbells, Weightedhands.com, <http://www.weightedhands.com/heavyhands-vs-dumbbells/>, Google Images, 2 pages.
 Powerblock Adjustable Dumbbells Review, bestadjustabledumbbellspro.com, <http://bestadjustabledumbbellspro.com/powerblock-adjustable-dumbbells-review/>, Google Images, Sep. 13, 2013, 4 pages.

* cited by examiner

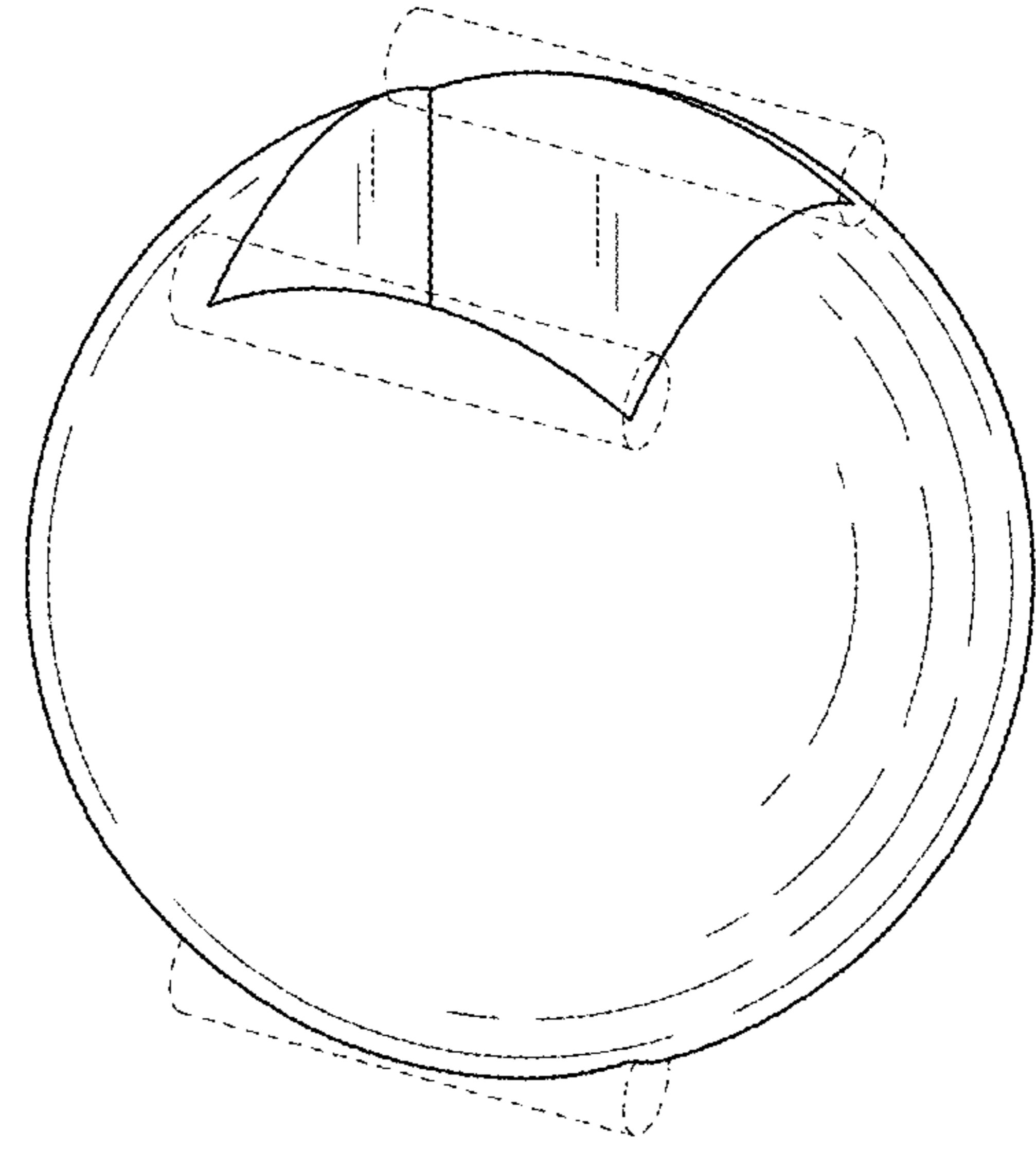


FIG. 1

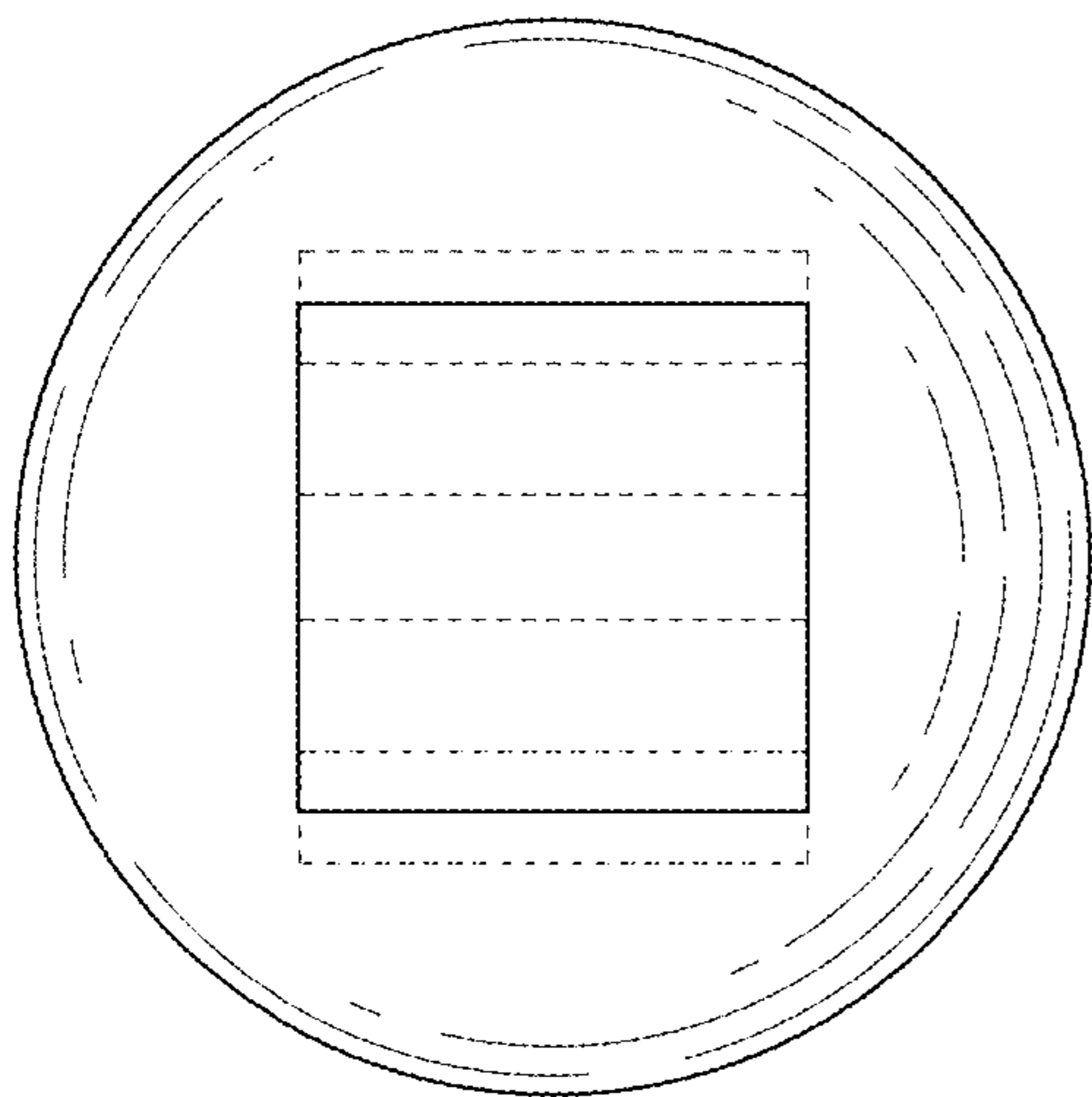


FIG. 2

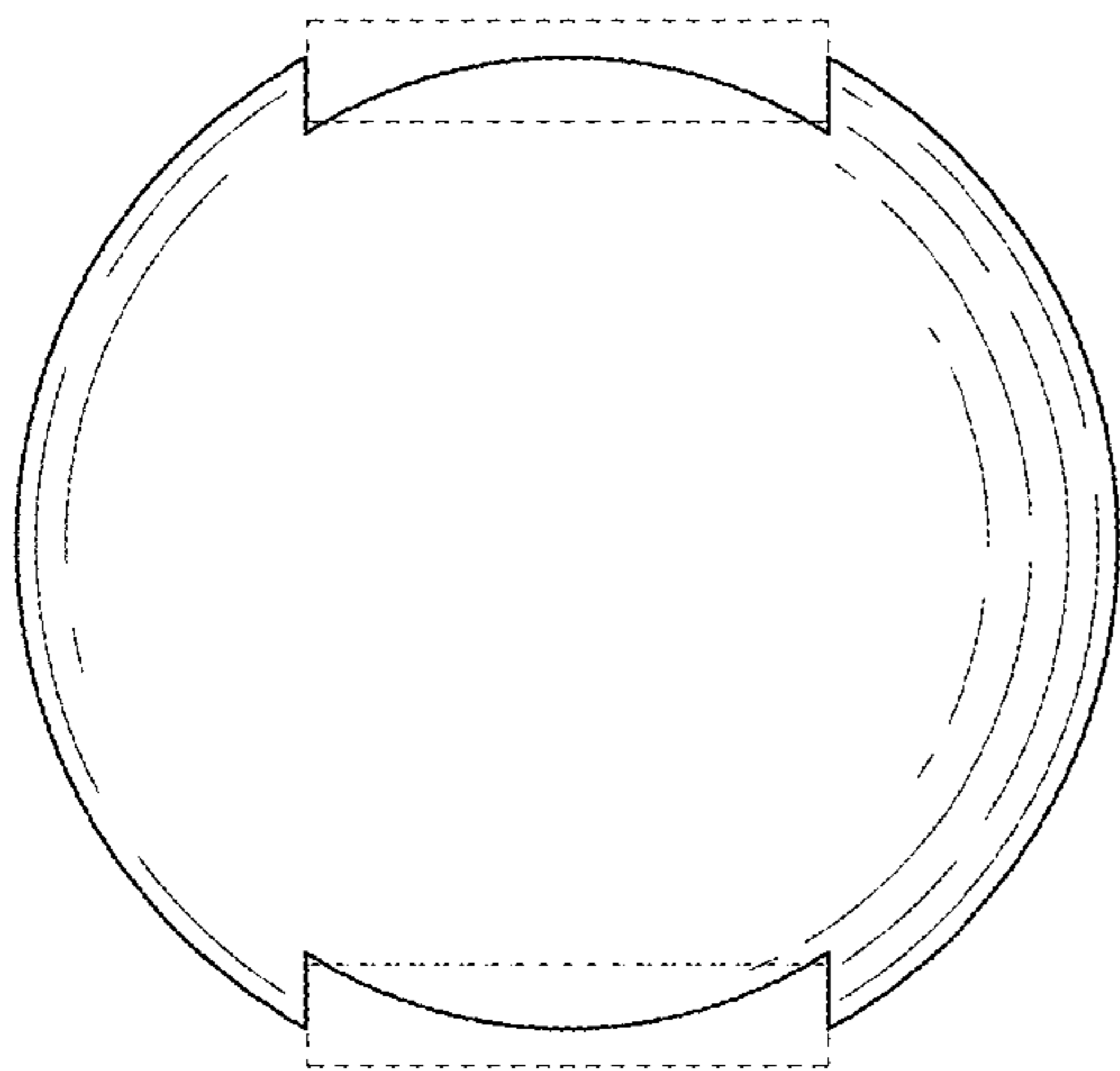


FIG. 3

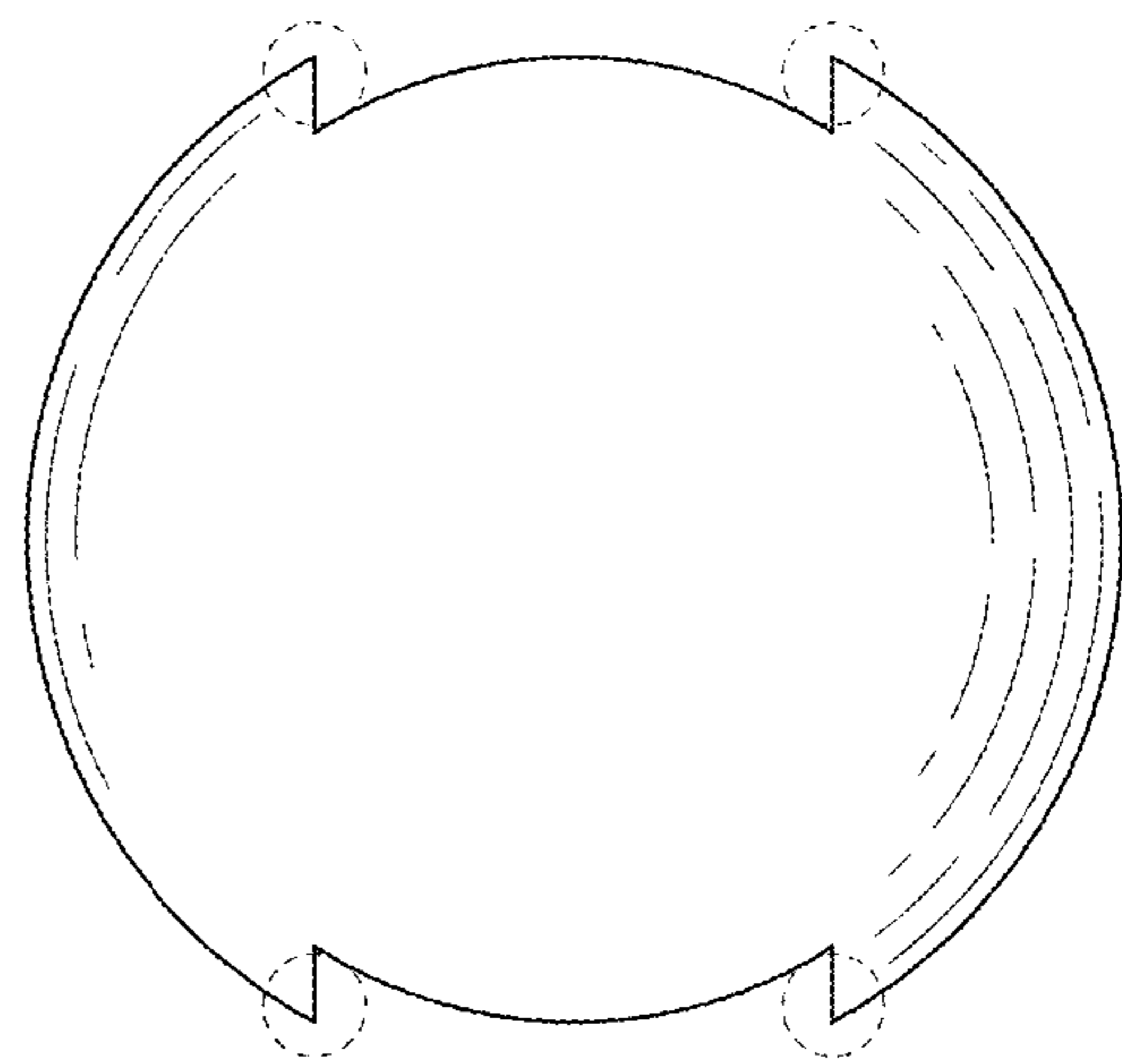


FIG. 4