



US00D769989S

(12) **United States Design Patent** (10) **Patent No.:** **US D769,989 S**
Siebert et al. (45) **Date of Patent:** **** Oct. 25, 2016**

(54) **CONVERGENT TREADMILL DESK**

(56) **References Cited**

(71) Applicant: **Brunswick Corporation**, Lake Forest, IL (US)

U.S. PATENT DOCUMENTS

(72) Inventors: **Paul Brian Siebert**, Chicago, IL (US); **William Cesare Cesaroni**, Glenview, IL (US); **Morad Ghassemian**, Oak Park, IL (US); **Brian Young Lee**, Glenview, IL (US); **Christopher Justin Mayer**, Chicago, IL (US)

4,646,655 A 3/1987 Robolin
D406,621 S * 3/1999 Piaget D21/669
D421,779 S * 3/2000 Piaget D21/669
6,461,279 B1 * 10/2002 Kuo A63B 22/0056
482/52

(Continued)

(73) Assignee: **Brunswick Corporation**, Lake Forest, IL (US)

OTHER PUBLICATIONS

(**) Term: **15 Years**

InMovement Bi Stride by InMovement dated no date given. Found online [May 2, 2016] <https://www.inmovement.com/en/our-products/inmovement-treadmill-desks/inmovement-bistride#>.

(21) Appl. No.: **29/531,676**

Primary Examiner — Robert M Spear

(22) Filed: **Jun. 29, 2015**

Assistant Examiner — Ryan Harvey

(51) **LOC (10) Cl.** **21-02**

(74) *Attorney, Agent, or Firm* — Andrus Intellectual Property Law, LLP

(52) **U.S. Cl.**
USPC **D21/669**

(57) **CLAIM**

(58) **Field of Classification Search**
USPC 482/54, 140, 142, 123, 121, 122, 129, 482/130, 96, 52, 57, 907, 126, 131, 145, 482/144, 112, 134, 26, 27, 77, 125, 132, 92, 482/95, 91, 128, 68, 141, 53, 133, 138; D21/687, 686, 669, 673, 690, 694, 676, D21/674, 670, 663, 662, 423, 695, 688; D24/183, 188; 297/175, 445.1, 423.38, 297/230.1; 601/24, 49; 606/240, 618, 624; 5/613, 618, 624; 473/197, 422; 280/47, 280/371, 79.6; D14/447
CPC A63B 22/02; A63B 22/0023; A63B 22/0235; A63B 2210/50; A63B 21/4029; A63B 22/0285; A63B 22/0242; A63B 2225/30; A63B 21/078; A61H 2203/0493; A61H 1/0292; A61H 2201/1284; A61H 1/0222

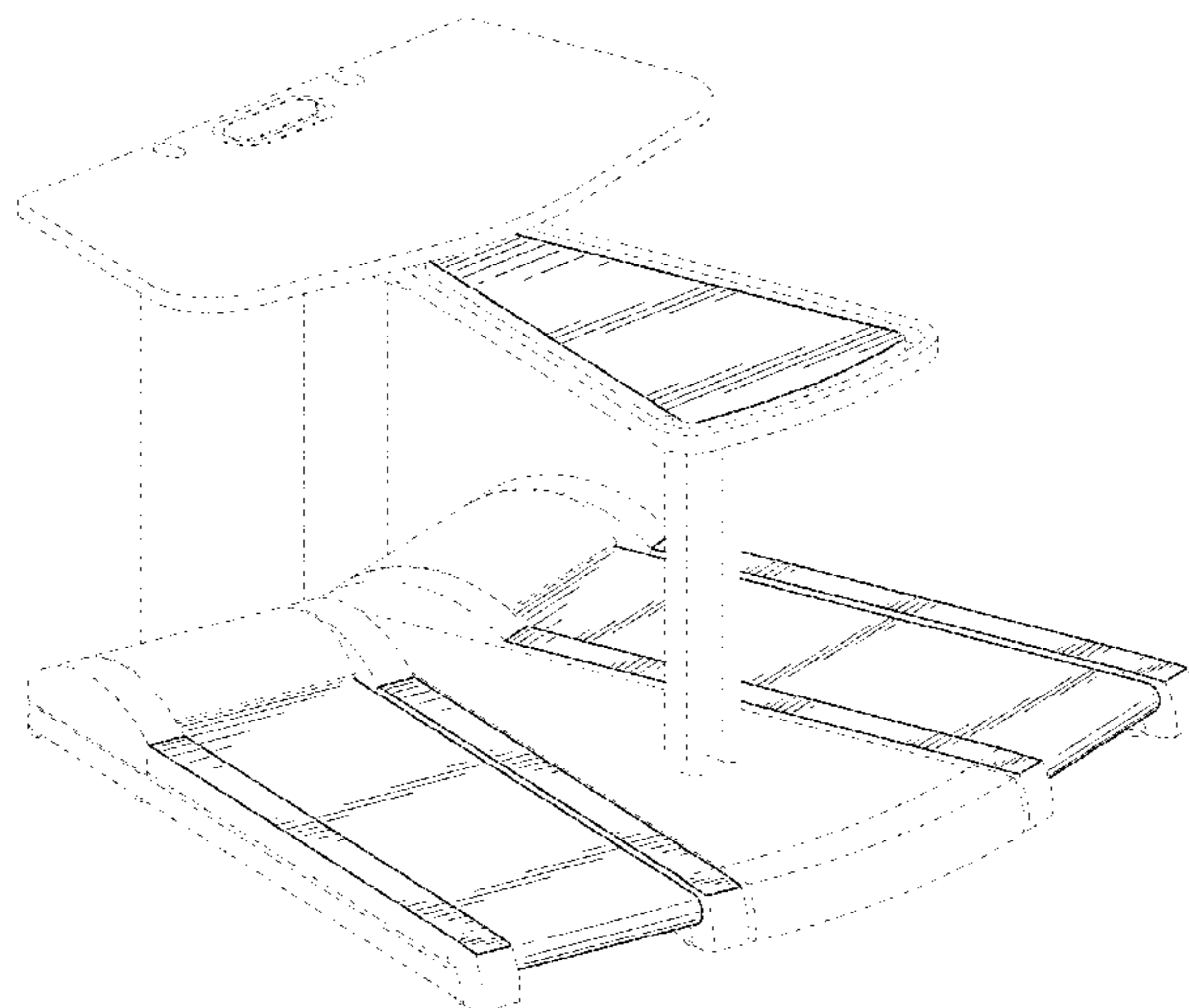
The ornamental design for a convergent treadmill desk, as shown and described.

DESCRIPTION

FIG. 1 is a front perspective view of the convergent treadmill desk showing our new design;
FIG. 2 is a left side elevation view thereof;
FIG. 3 is a right side elevation view thereof;
FIG. 4 is a back side elevation view thereof;
FIG. 5 is a front side elevation view thereof;
FIG. 6 is a top plan view thereof; and,
FIG. 7 is a bottom plane view thereof.
The broken lines in the figures show portions of the convergent treadmill desk that form no portion of the claimed design.

See application file for complete search history.

1 Claim, 7 Drawing Sheets



US D769,989 S

Page 2

(56)

References Cited

U.S. PATENT DOCUMENTS

7,614,991 B2	11/2009	Fox	2005/0037898 A1*	2/2005	Chang	A63B 22/0023 482/54
7,686,742 B2	3/2010	Tischler et al.	2008/0058169 A1	3/2008	Fox	
7,892,148 B1	2/2011	Stauffer et al.	2009/0062072 A1	3/2009	Packham	
7,922,626 B2	4/2011	Larson	2013/0231216 A1	9/2013	Hao	
D683,802 S *	6/2013	Lee	2014/0073488 A1	3/2014	Wu	
D691,223 S *	10/2013	Hao	2014/0076206 A1	3/2014	McCabe	
2004/0214693 A1*	10/2004	Piaget	2014/0080678 A1	3/2014	Wu	
			2014/0187383 A1	7/2014	Martin	
			2014/0360413 A1	12/2014	Schenk et al.	

* cited by examiner

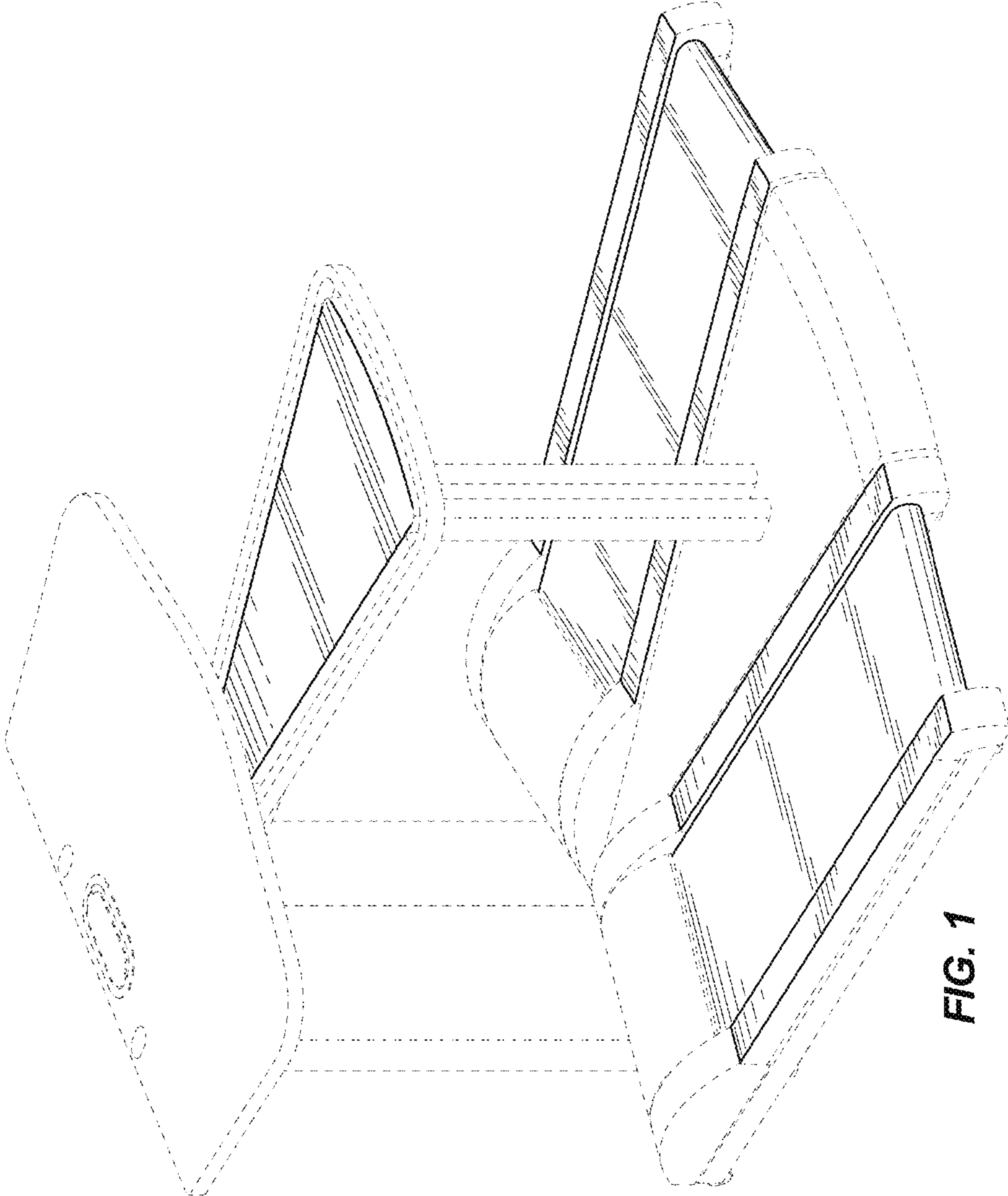


FIG. 1

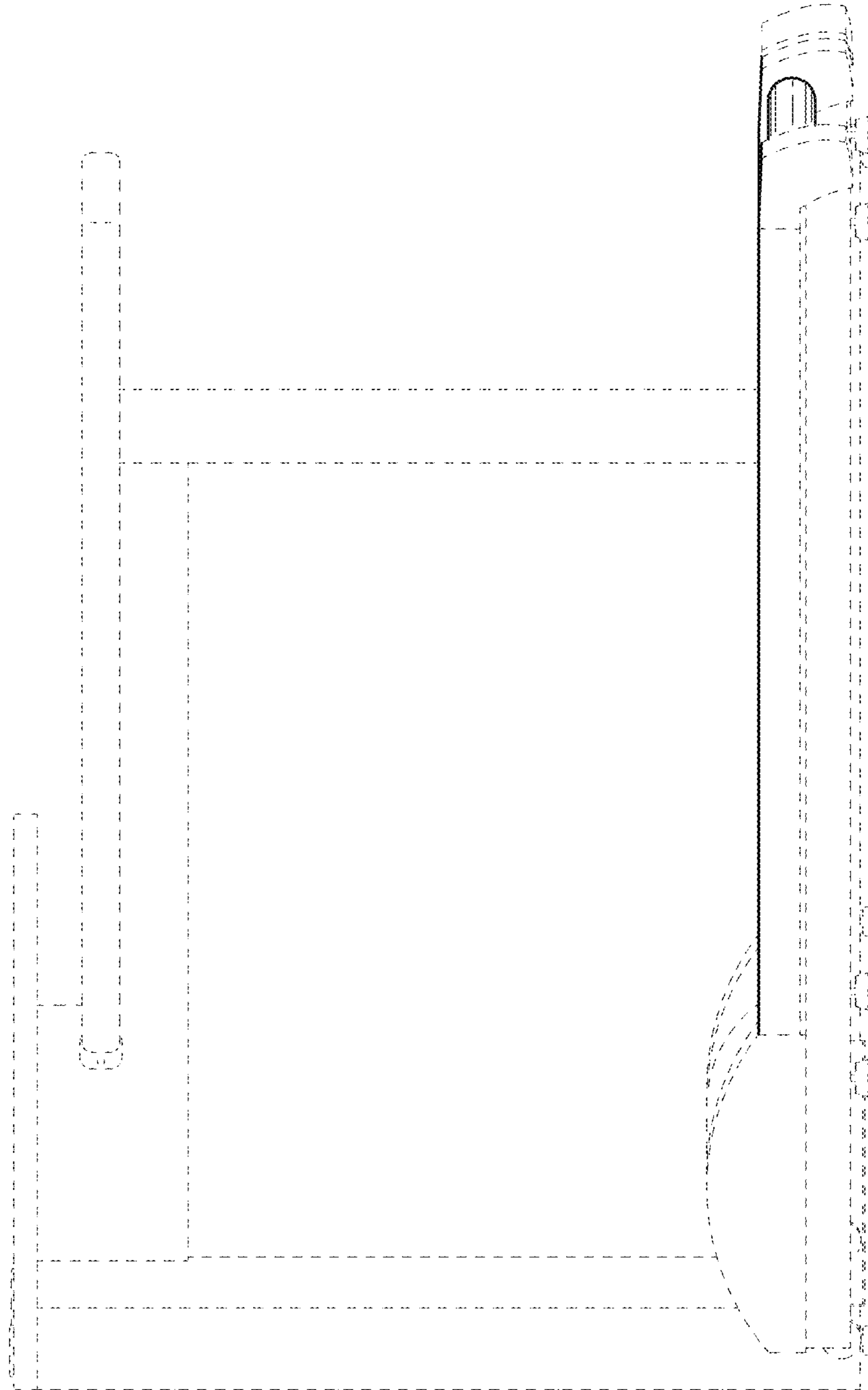


FIG. 2

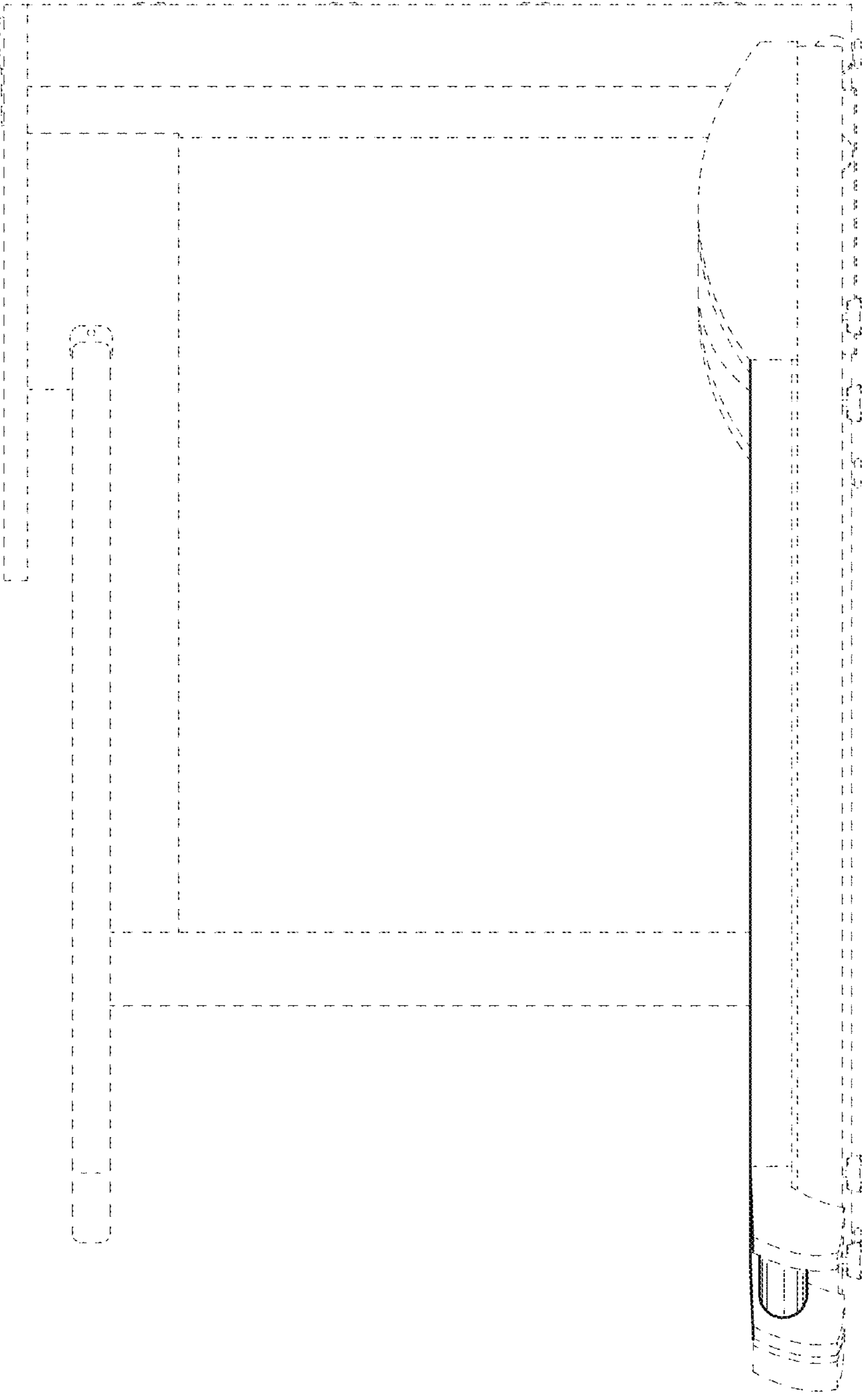


FIG. 3

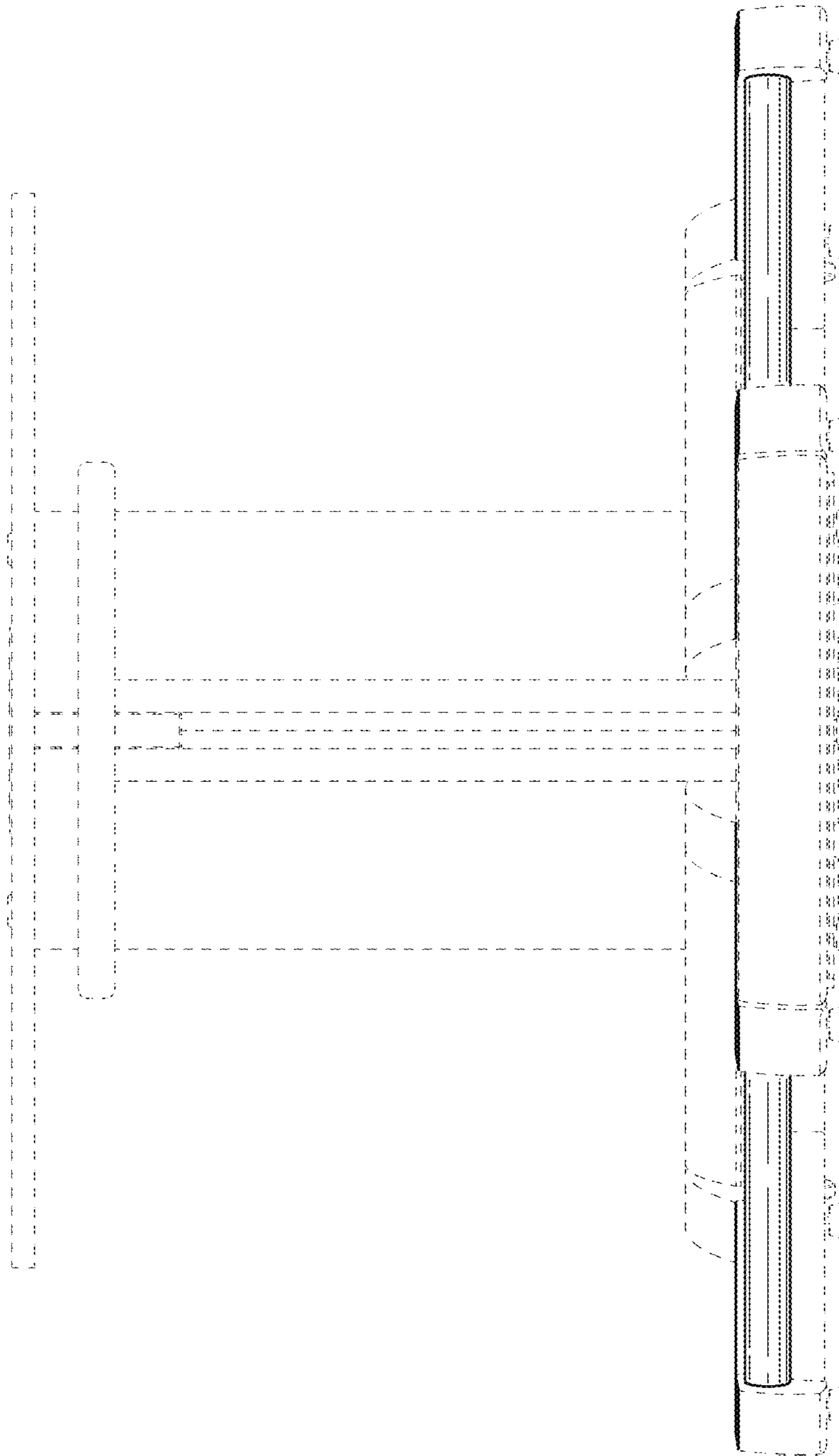


FIG. 4

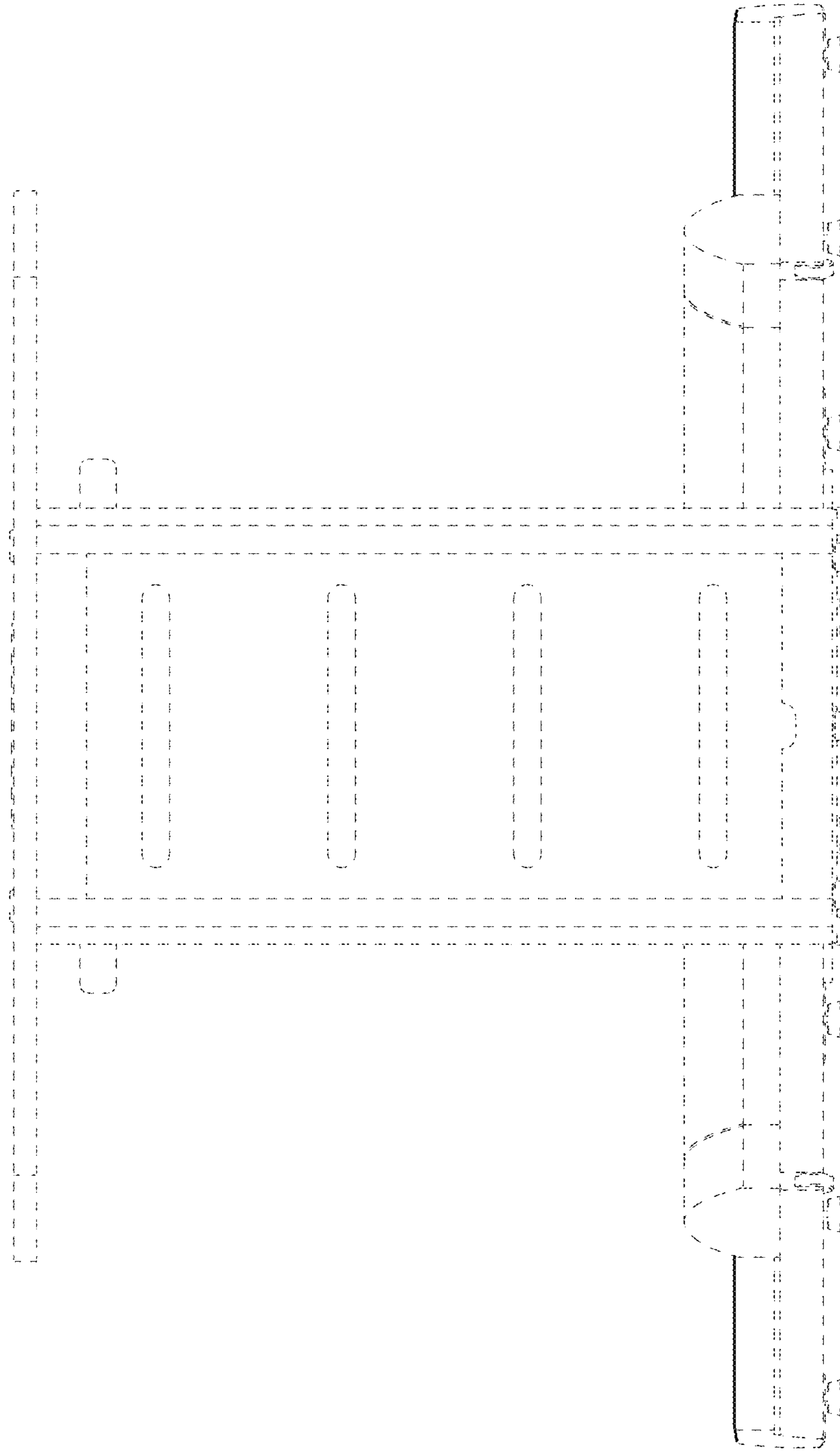


FIG. 5

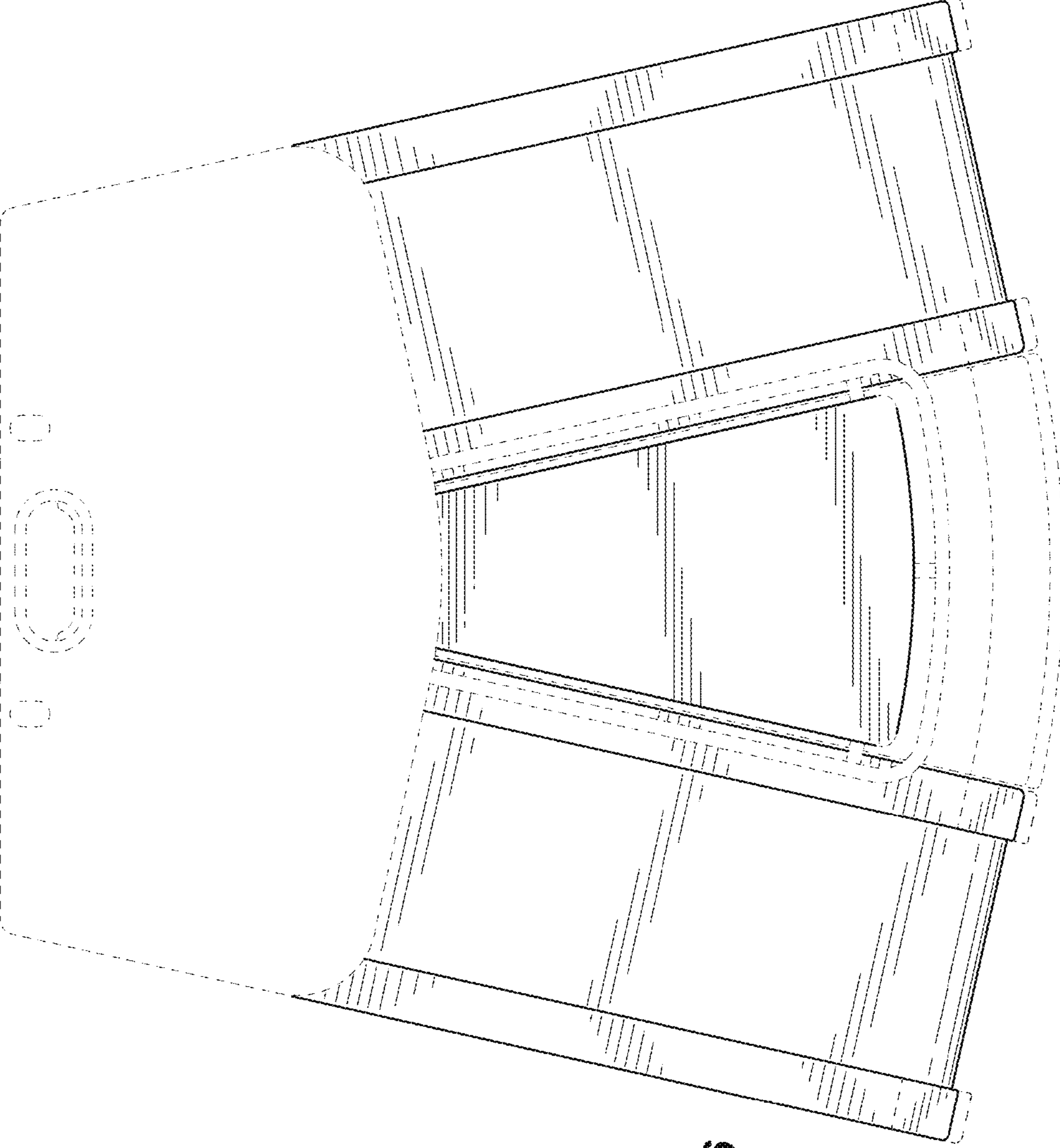


FIG. 6

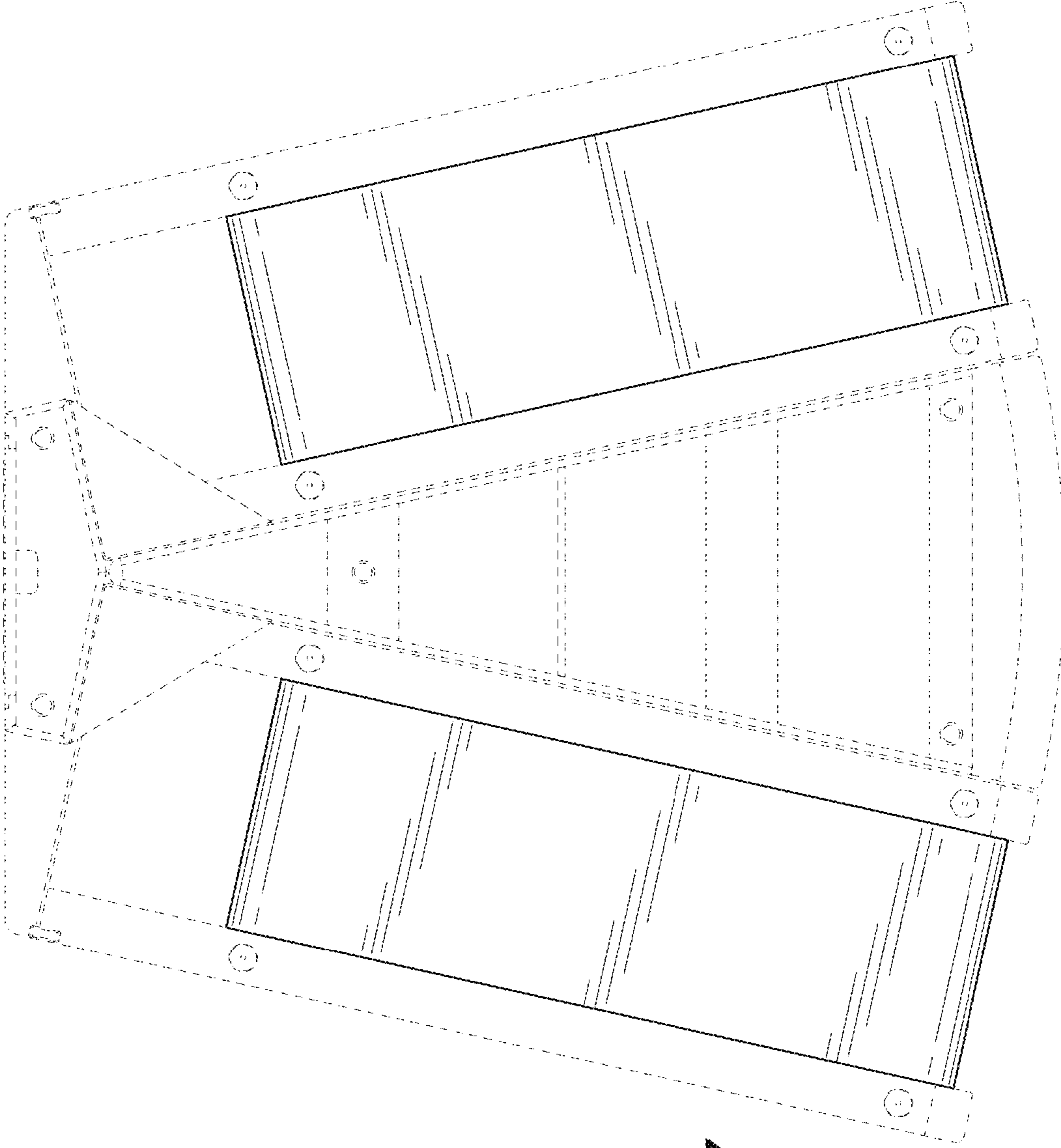


FIG. 7