



US00D769986S

(12) **United States Design Patent** (10) **Patent No.:** **US D769,986 S**
Timg (45) **Date of Patent:** **** *Oct. 25, 2016**

(54) **CONSTRUCTION COMPONENTS CONTAINER WITH LID**
(71) Applicant: **Buster Timg**, Brooklyn, NY (US)
(72) Inventor: **Buster Timg**, Brooklyn, NY (US)
(*) Notice: This patent is subject to a terminal disclaimer.
(**) Term: **15 Years**
(21) Appl. No.: **29/527,457**
(22) Filed: **May 19, 2015**
(51) **LOC (10) Cl.** **21-01**
(52) **U.S. Cl.**
USPC **D21/500; D9/432**
(58) **Field of Classification Search**
USPC D21/333, 373, 386, 389, 404, 468, 470, D21/471, 475, 484-505; 446/69, 85, 446/102-128; 434/167, 208, 259, 403; 273/153, 156, 160; D9/430, 431, 432; D6/629
CPC A63H 33/04; A63H 33/06; A63H 33/062; A63H 33/08; A63H 33/086; A63H 33/088; A63H 33/10; A63H 33/101; A63H 33/105; A63H 33/108; A63H 33/12; A63F 9/12; A63F 9/1224
See application file for complete search history.

D408,142 S * 4/1999 Song D3/276
6,073,404 A 6/2000 Norfleet
6,371,823 B1 * 4/2002 Stavran B65D 81/361
446/128
6,746,297 B2 6/2004 Robjent
7,186,161 B2 3/2007 Peralta
D556,517 S * 12/2007 Lown D7/629
D594,512 S 6/2009 Richards
D674,709 S * 1/2013 Akana D9/432
D676,285 S * 2/2013 Shirley D7/629
8,382,548 B2 2/2013 Maggiore
8,596,492 B2 * 12/2013 Lown B65D 43/0212
220/787
D707,554 S * 6/2014 Lavoie D9/435
D741,170 S * 10/2015 Thurin D7/629

FOREIGN PATENT DOCUMENTS

EP 0048560 3/1982
WO WO9929975 6/1999
WO WO2011008555 1/2011

* cited by examiner

Primary Examiner — Cynthia M Chin
(74) *Attorney, Agent, or Firm* — Goldstein Law Offices, P.C.

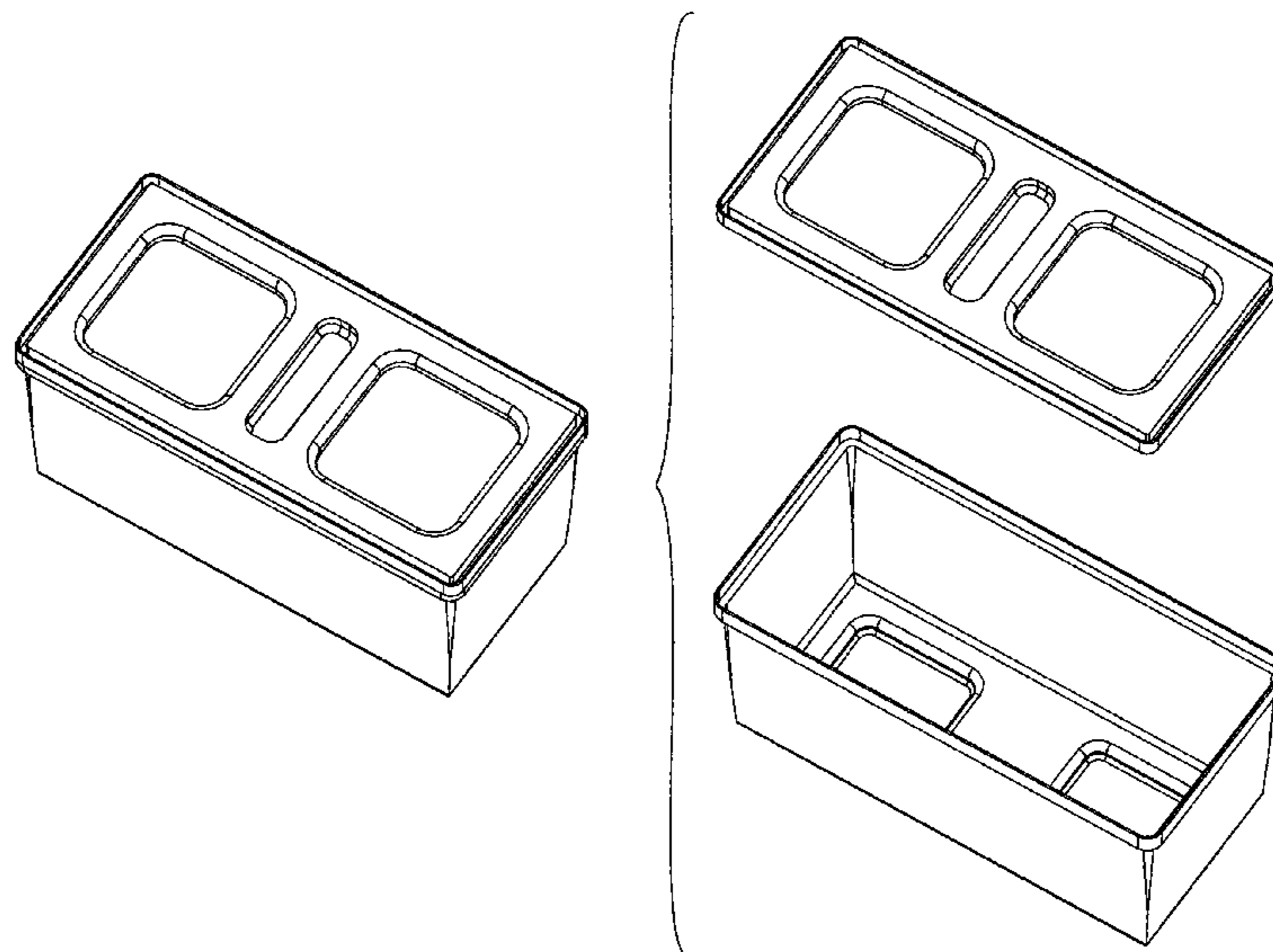
(57) **CLAIM**
The ornamental design for a construction components container with lid, as shown and described.

DESCRIPTION

FIG. 1 is a perspective view of the construction components container with lid.
FIG. 2 is a top plan view thereof
FIG. 3 is a bottom plan view thereof.
FIG. 4 is a front elevational plan view thereof.
FIG. 5 is a rear elevational view thereof.
FIG. 6 is a right side elevational view thereof.
FIG. 7 is a left side elevational view thereof; and,
FIG. 8 is an exploded perspective view thereof.

1 Claim, 5 Drawing Sheets

(56) **References Cited**
U.S. PATENT DOCUMENTS
3,002,315 A 10/1961 Kuhn
3,195,266 A 7/1965 Onanian
D301,260 S * 5/1989 McLaughlin D21/500
D355,763 S * 2/1995 Sun D3/276
D357,410 S * 4/1995 Rask D21/503
D369,466 S * 5/1996 Jannard D3/272
D389,408 S * 1/1998 Rask D21/491



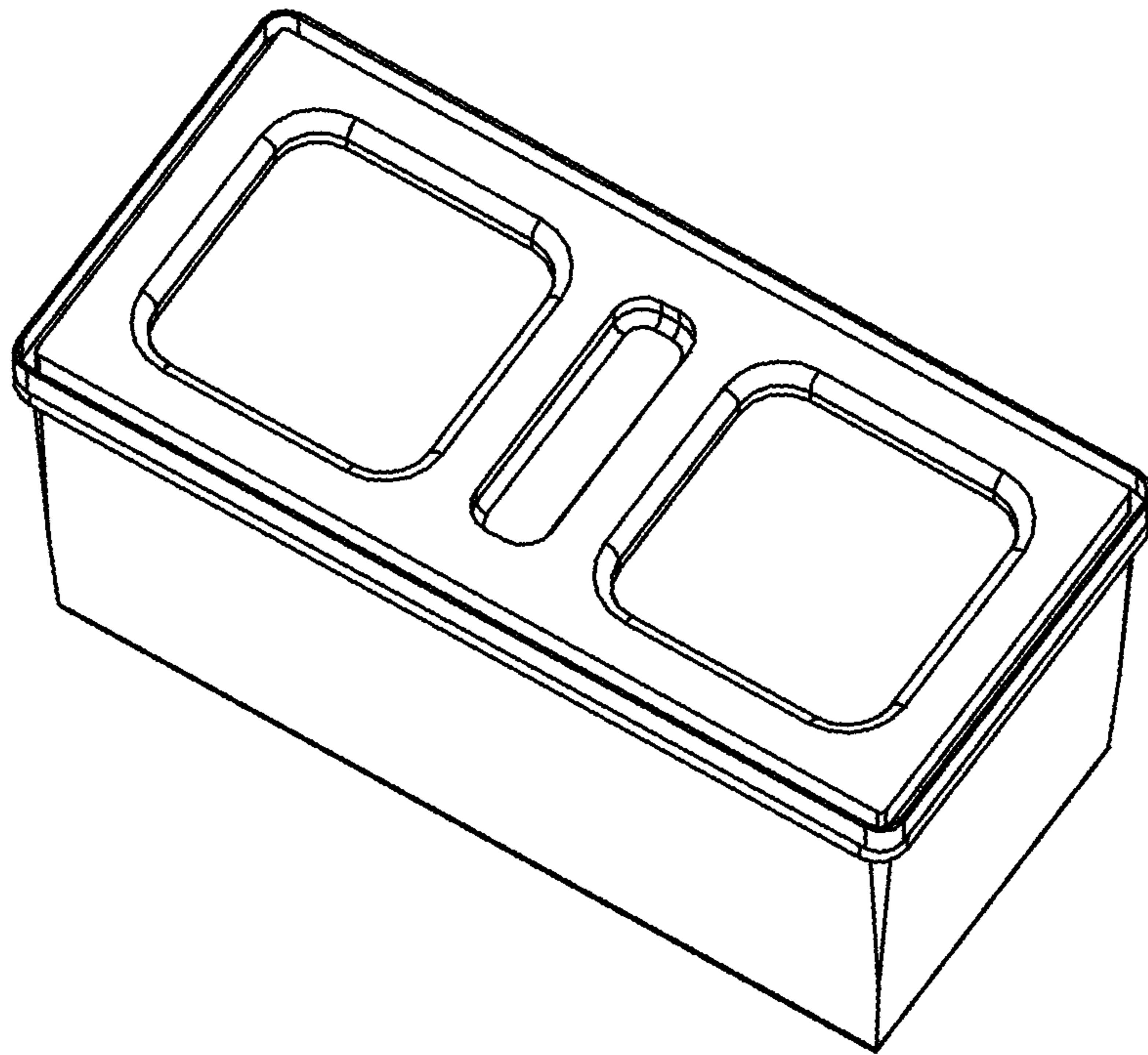


FIG. 1

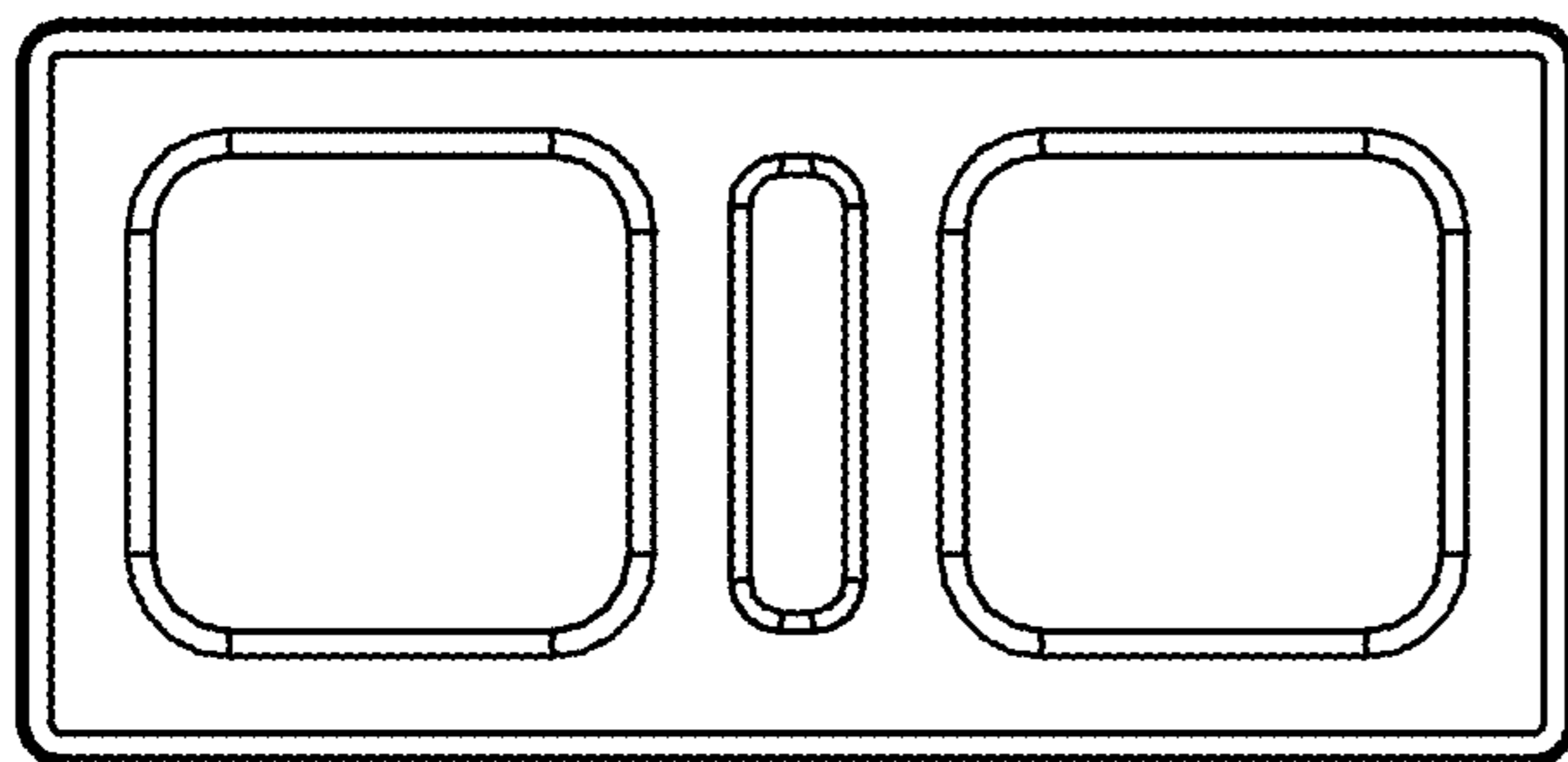


FIG. 2

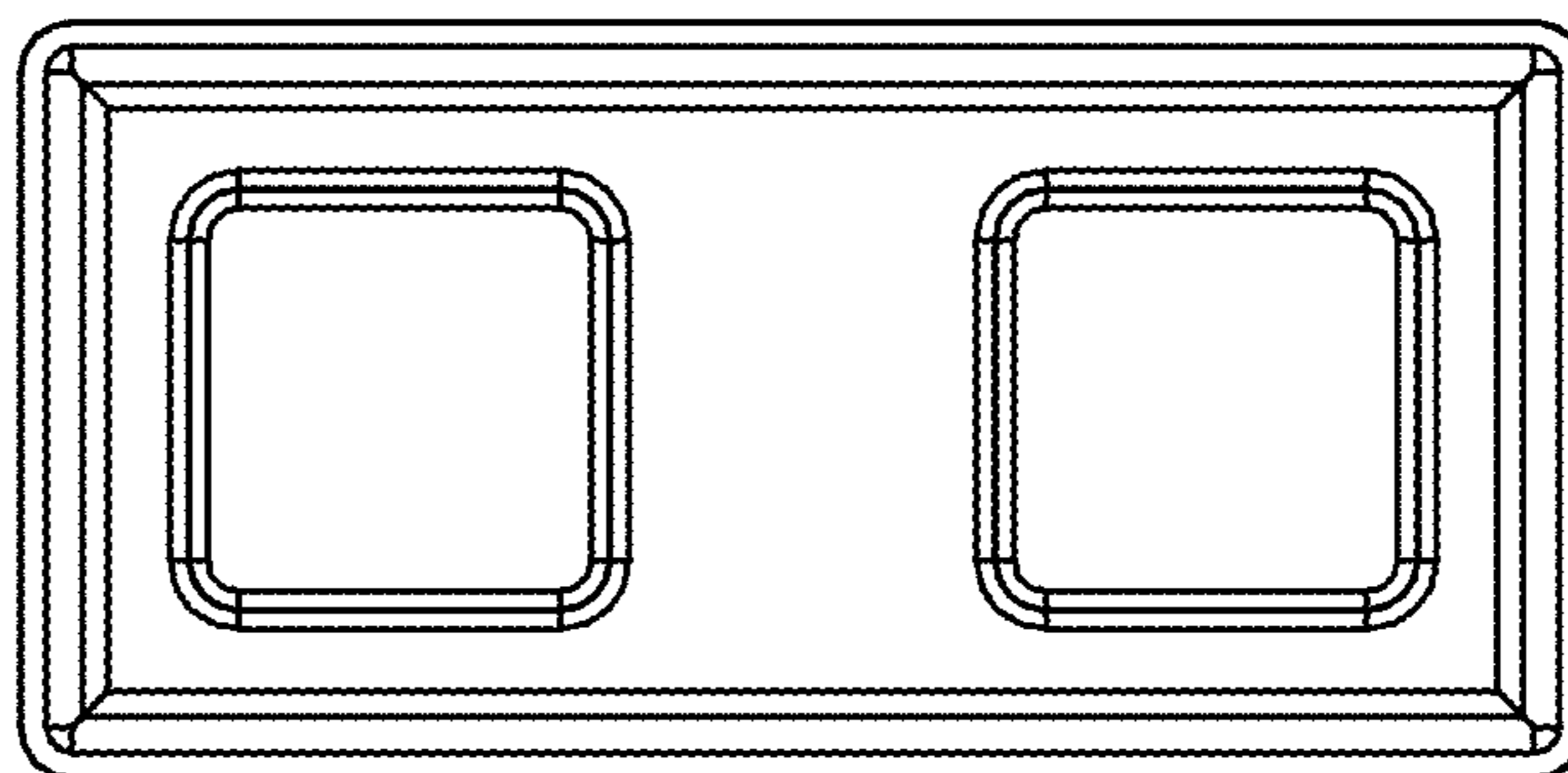


FIG. 3

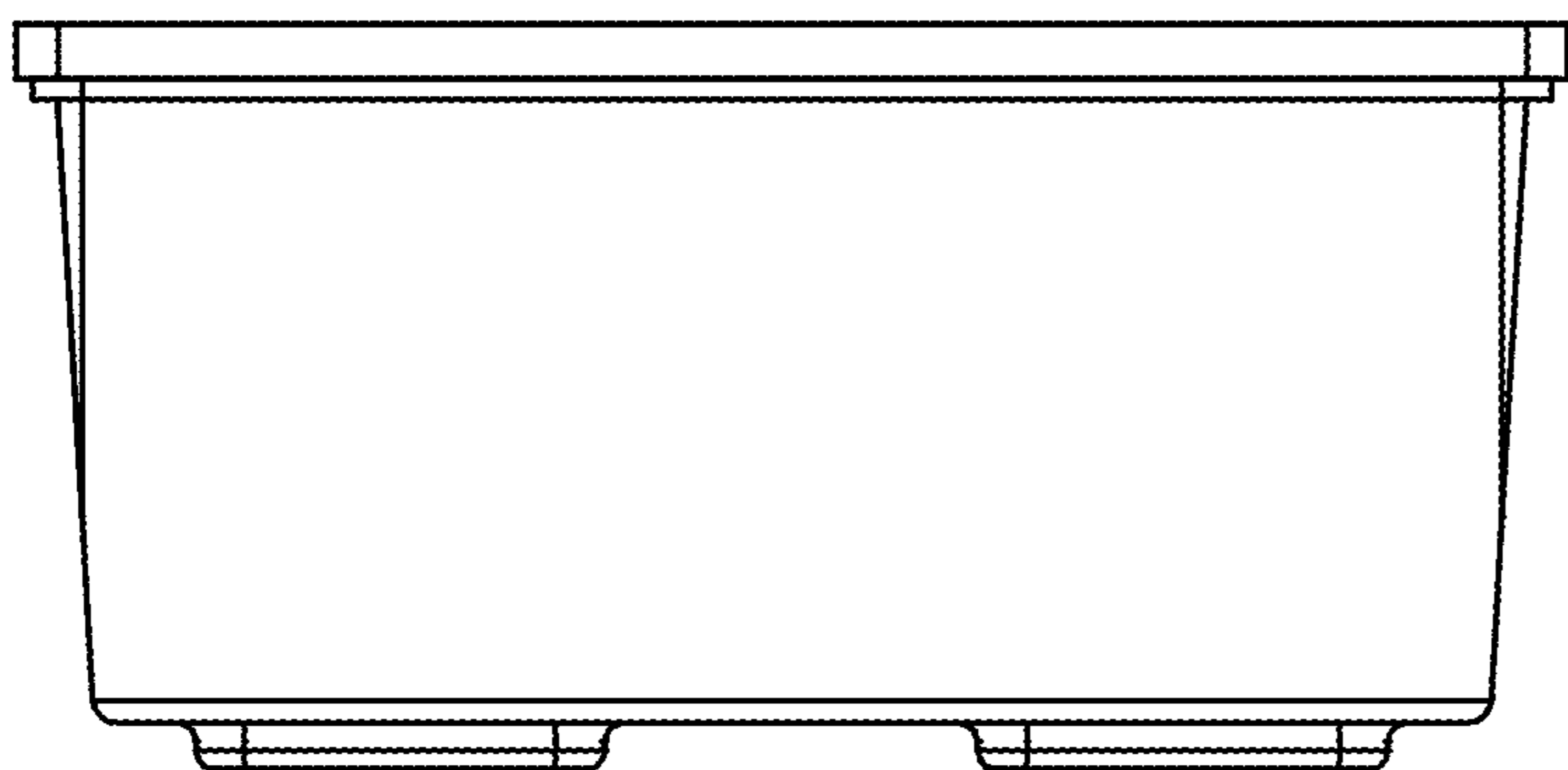


FIG. 4

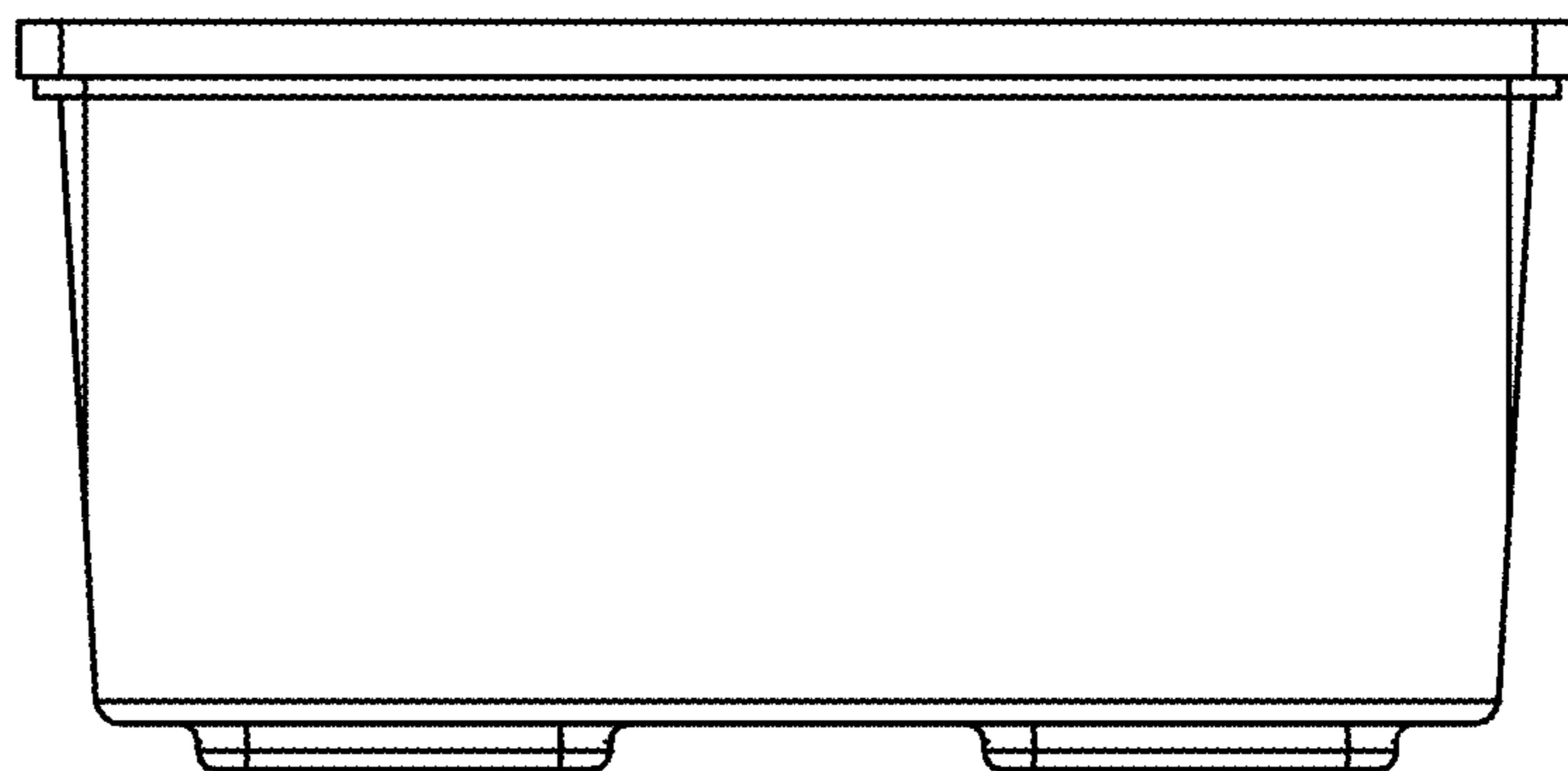


FIG. 5

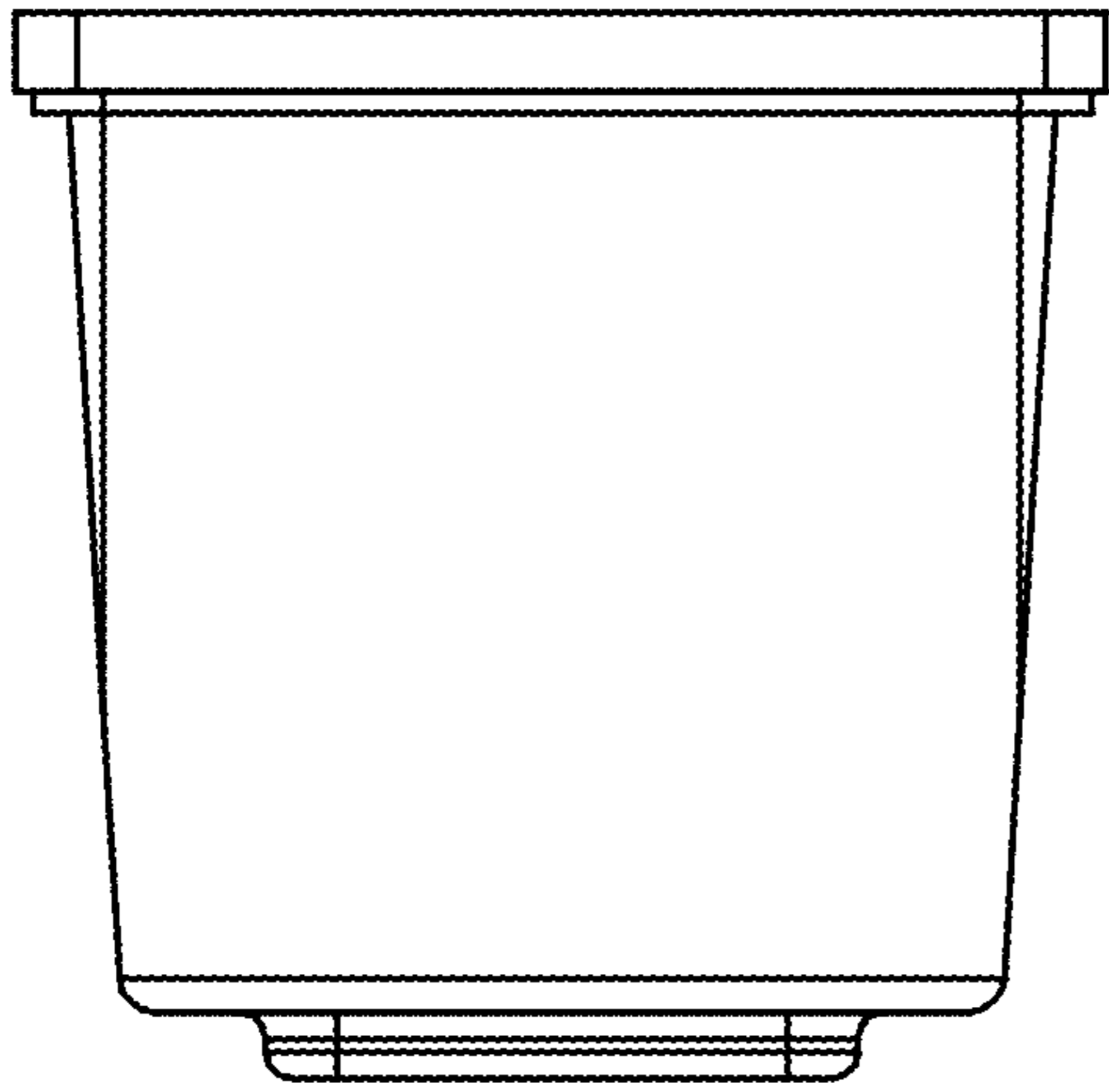


FIG. 6

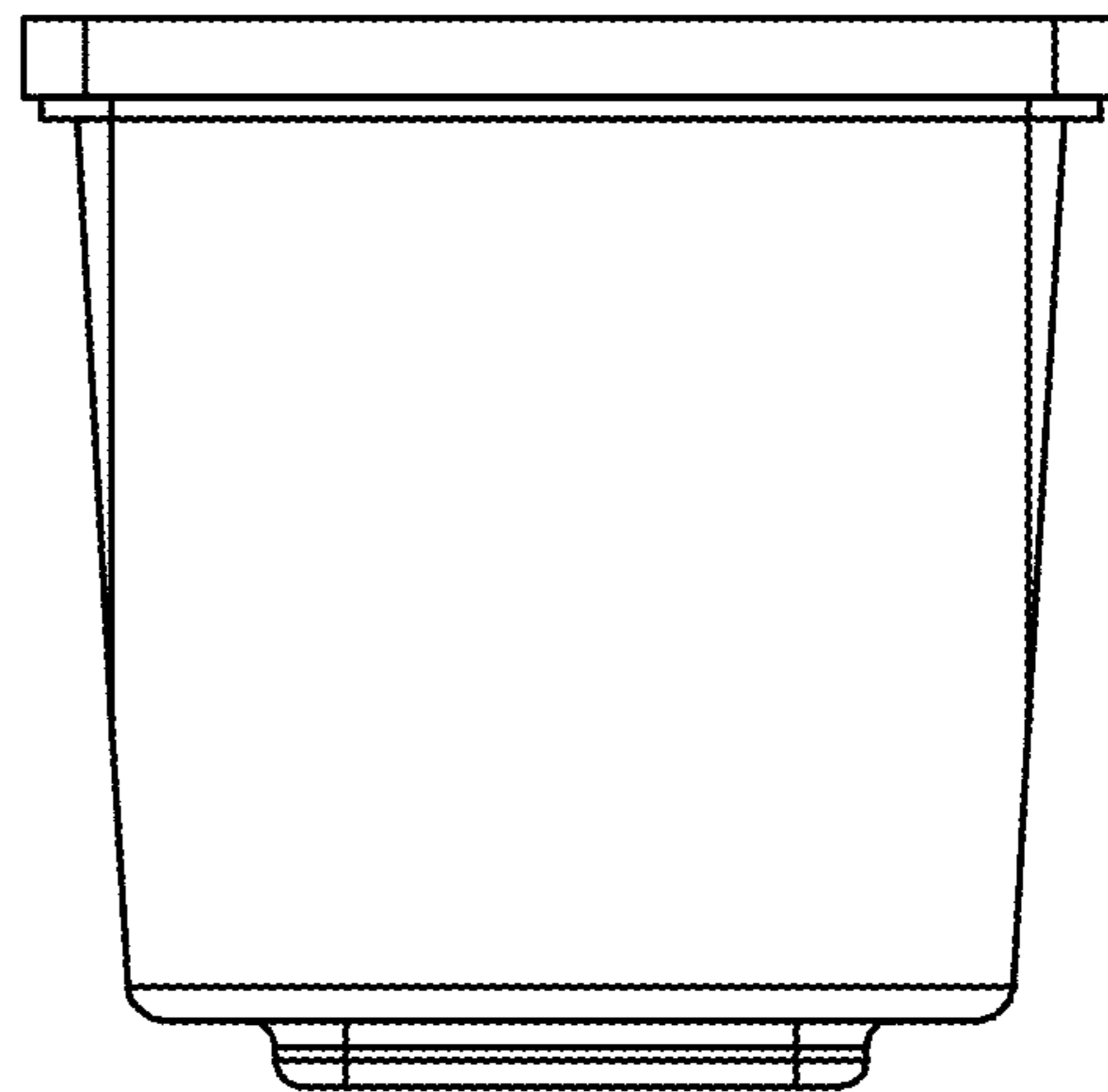


FIG. 7

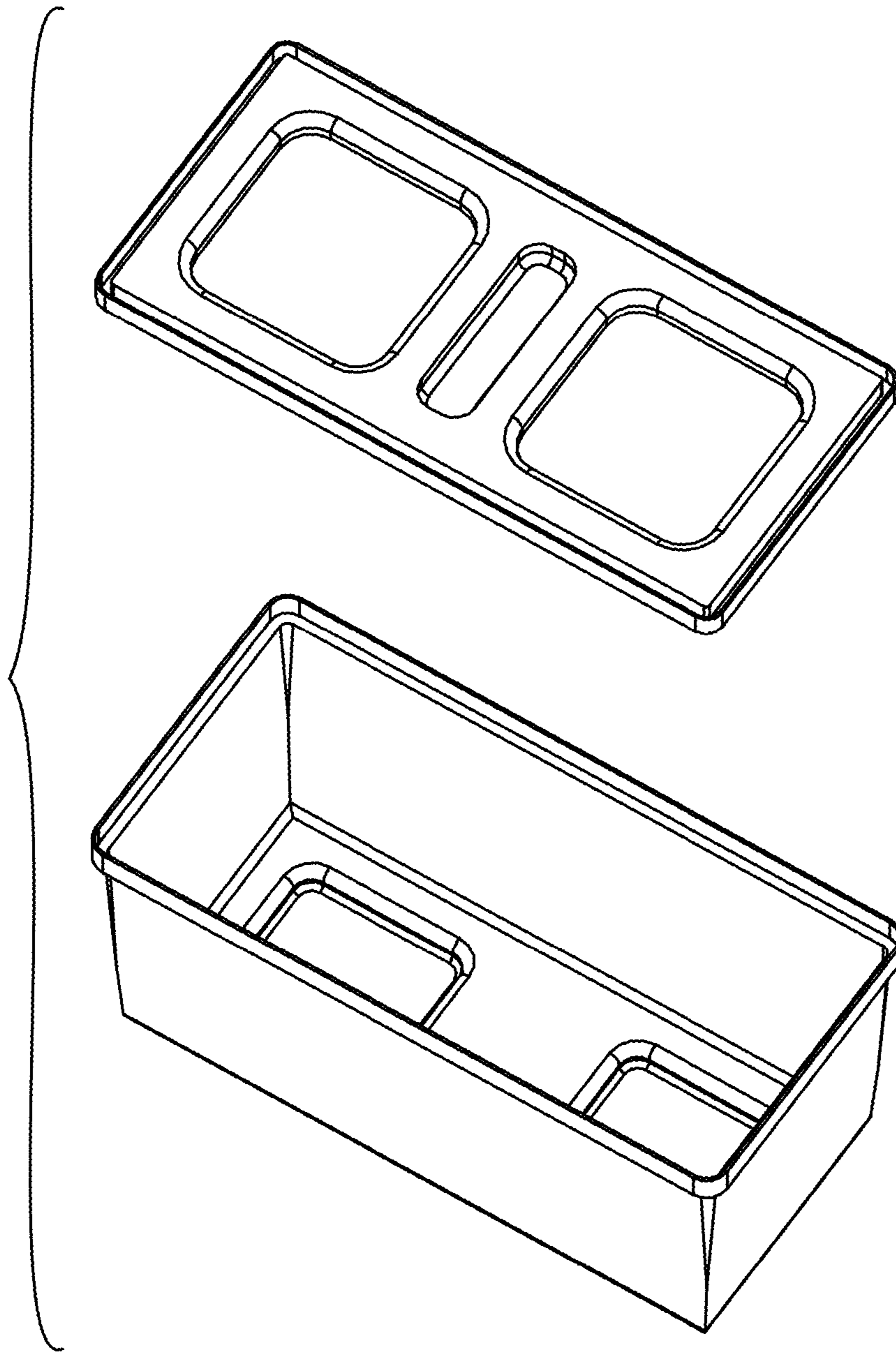


FIG. 8