

US00D769974S

(12) **United States Design Patent**
Li

(10) **Patent No.:** **US D769,974 S**
(45) **Date of Patent:** **** Oct. 25, 2016**

(54) **PEN**
(71) Applicant: **Shanghai Lees Manufacturing Co., Ltd.**, Shanghai (CN)
(72) Inventor: **Leixin Li**, Shanghai (CN)
(73) Assignee: **SHANGHAI LEES MANUFACTURING CO., LTD.**, Shanghai (CN)
(**) Term: **14 Years**
(21) Appl. No.: **29/524,615**
(22) Filed: **Apr. 22, 2015**
(30) **Foreign Application Priority Data**

Oct. 30, 2014 (CN) 2014 3 0420164
(51) **LOC (10) Cl.** **19-06**
(52) **U.S. Cl.**
USPC **D19/163**
(58) **Field of Classification Search**
USPC D14/411; D19/115-204
CPC B43K 5/005; B43K 5/16; B43K 7/00;
B43K 7/10; B43K 7/12; B43K 8/02; B43K
8/022; B43K 8/024; B43K 8/04
See application file for complete search history.

(56) **References Cited**
U.S. PATENT DOCUMENTS
651,736 A * 6/1900 Wirt B43K 5/00
401/230
653,818 A * 7/1900 Parker B43K 23/12
401/243

836,652 A * 11/1906 Rosdahl B43K 23/004
15/443
843,767 A * 2/1907 Plach B43K 23/004
15/443
1,244,974 A * 10/1917 Gerdom B43K 1/08
401/216
1,509,008 A * 9/1924 Wallace B43K 5/06
401/182
D100,845 S * 8/1936 Bloser D19/184
D121,087 S * 6/1940 Andrews D19/164
D168,227 S * 11/1952 Kather 15/443
2,665,666 A * 1/1954 Hooper B43L 19/005
15/227
D319,469 S * 8/1991 Rutter D19/161
D429,526 S * 8/2000 Sullivan D24/133
D460,484 S * 7/2002 Bianco, Jr. D19/166
D460,982 S * 7/2002 Bianco, Jr. D19/166
D500,084 S * 12/2004 Hester D19/166
D557,020 S * 12/2007 Dovellos D4/138
D583,868 S * 12/2008 Peterson D19/203

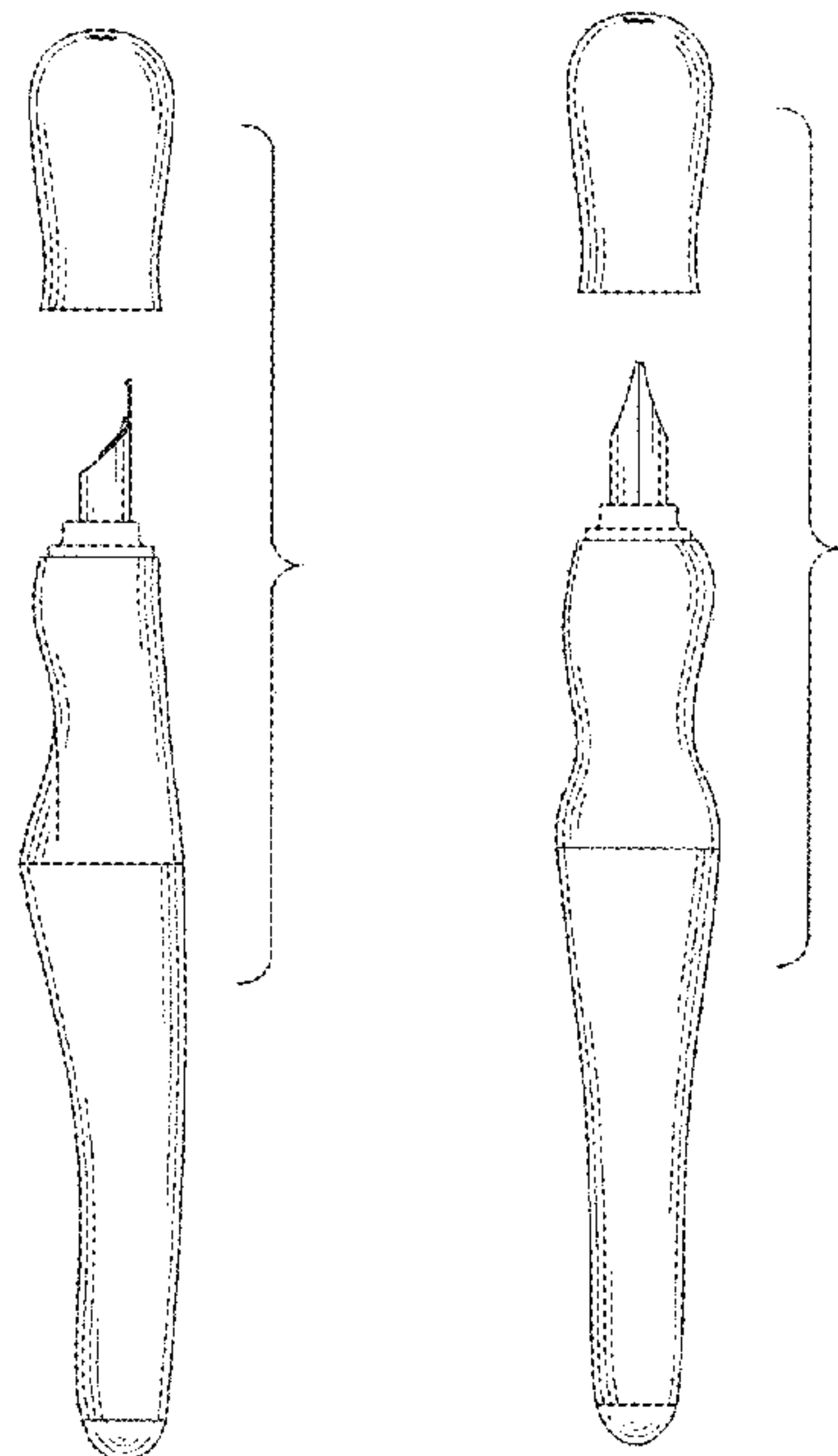
* cited by examiner
Primary Examiner — Elizabeth Albert
(74) *Attorney, Agent, or Firm* — Mark M. Friedman

(57) **CLAIM**
The ornamental design for a pen, as shown and described.

DESCRIPTION

FIG. 1 is a front elevational view of the pen;
FIG. 2 is a rear elevational view of the pen;
FIG. 3 is a left side elevational view of the pen;
FIG. 4 is a right side elevational view of the pen;
FIG. 5 is a top plan view of the pen,
FIG. 6 is a bottom plan view of the pen;
FIG. 7 is an exploded view of the pen; and,
FIG. 8 is an exploded view of the pen from another
direction.

1 Claim, 5 Drawing Sheets



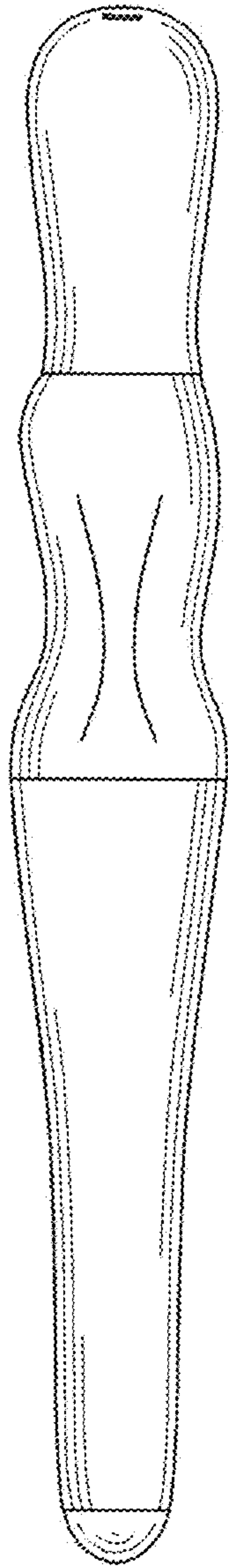


FIG. 1

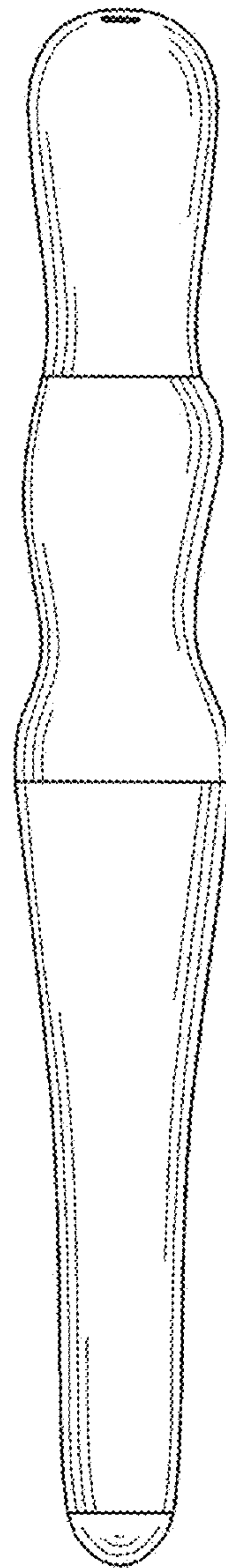


FIG. 2

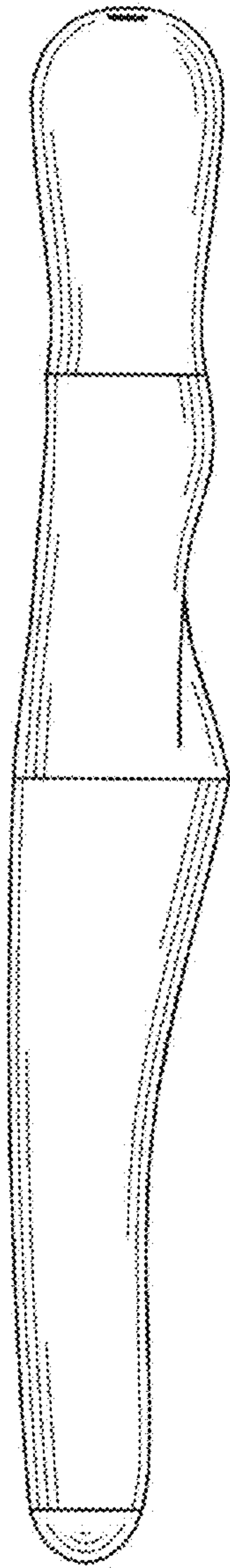


FIG. 3

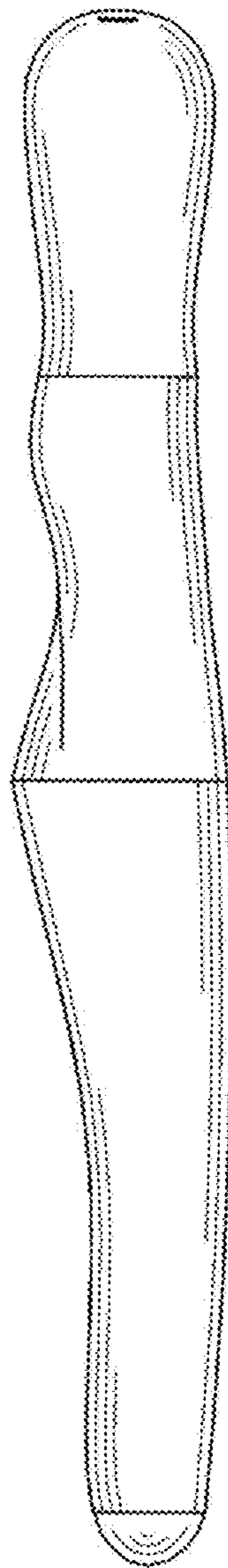


FIG. 4

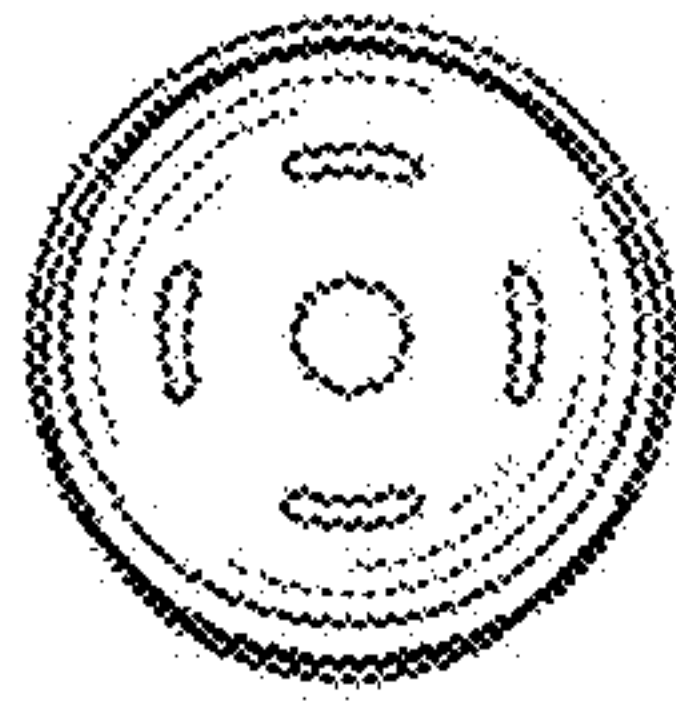


FIG. 5

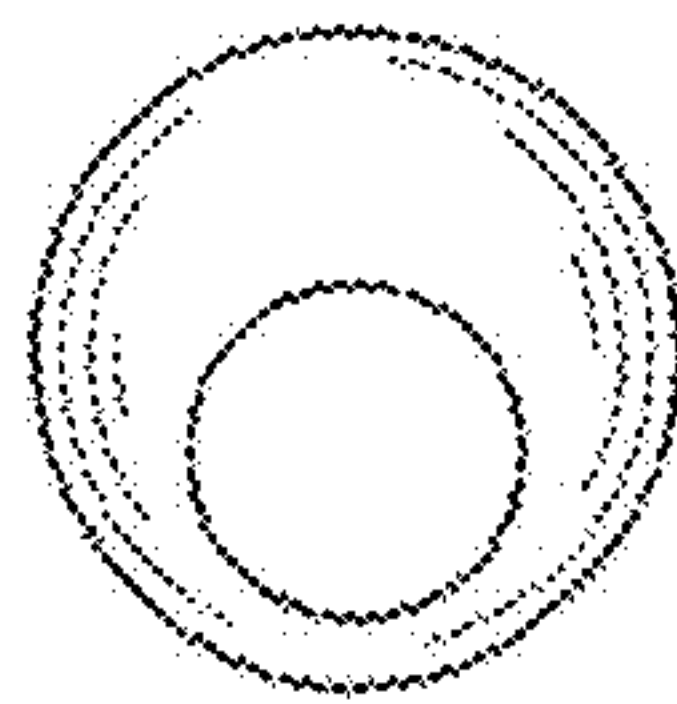


FIG. 6

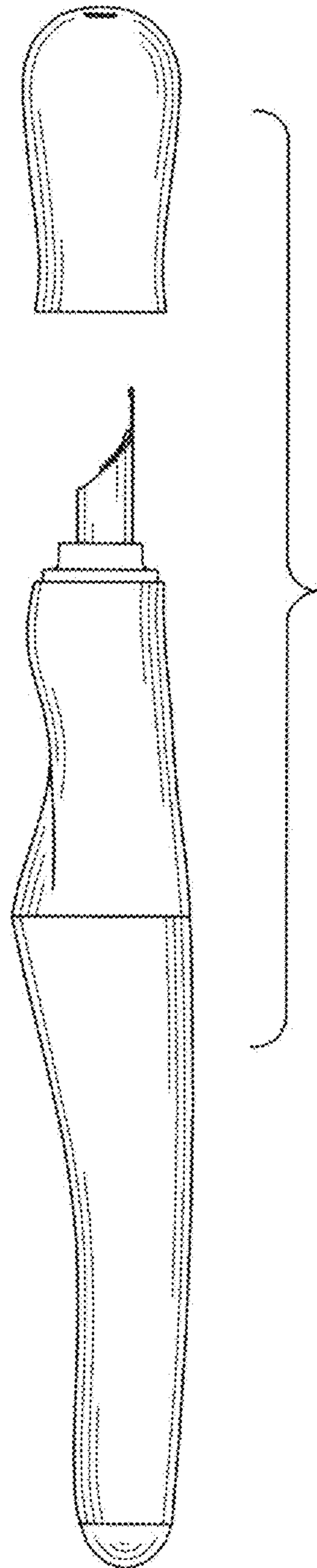


FIG. 7

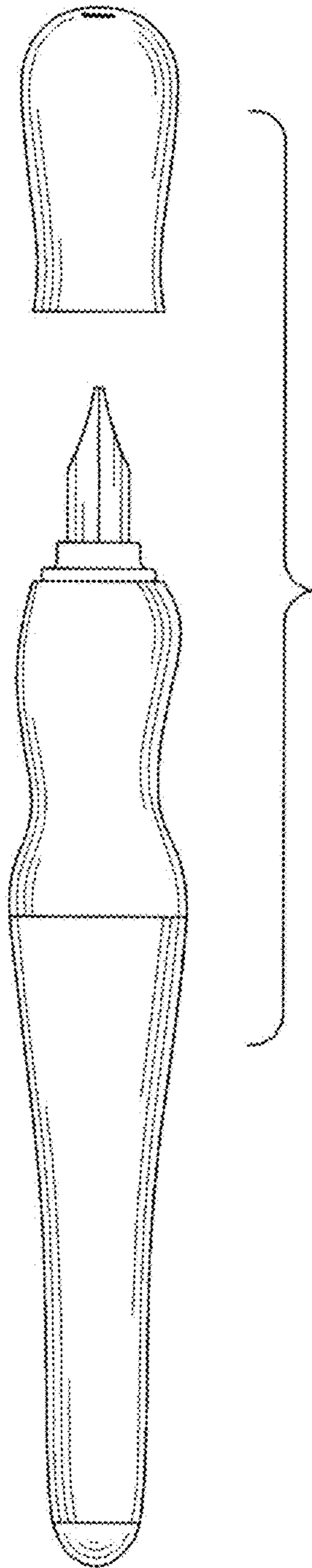


FIG. 8