



US00D769973S

(12) **United States Design Patent** (10) **Patent No.:** **US D769,973 S**  
**Benoni** (45) **Date of Patent:** **\*\* Oct. 25, 2016**

(54) **CARD HOLDER**

(71) Applicant: **INTEREL TRADEMARKS B.V.**,  
Amsterdam (NL)

(72) Inventor: **Andrea Benoni**, Cavaion (IT)

(73) Assignee: **INTEREL TRADEMARKS B.V.**,  
Amsterdam (NL)

(\*\*) Term: **14 Years**

(21) Appl. No.: **29/514,344**

(22) Filed: **Jan. 12, 2015**

(30) **Foreign Application Priority Data**

Oct. 22, 2014 (EM) ..... 002561985-0001  
Oct. 22, 2014 (EM) ..... 002561985-0002  
Oct. 22, 2014 (EM) ..... 002561985-0003

(51) **LOC (10) Cl.** ..... **19-02**

(52) **U.S. Cl.**  
USPC ..... **D19/91**

(58) **Field of Classification Search**  
USPC ..... D3/206, 266; D6/678.4, 705.6, 705.7;  
D7/600.1; D19/75-92; D8/373, 395;  
D20/15, 27, 42, 43  
CPC ..... A47B 63/00; A47F 7/14; A47F 7/145;  
B42F 7/00; B42F 7/02; B42F 7/10; B42F  
17/02; B42F 17/08; G09F 1/10; G09F 1/14;  
G09F 1/103  
See application file for complete search history.

(56) **References Cited**

**U.S. PATENT DOCUMENTS**

1,516,721 A \* 11/1924 Emery ..... B21K 1/707  
16/DIG. 37  
1,704,561 A \* 3/1929 Egan ..... G09F 1/14  
248/453

D213,649 S \* 3/1969 Evans ..... D19/86  
D282,181 S \* 1/1986 Hamilton ..... D20/43  
D291,531 S \* 8/1987 West ..... D8/395  
D320,152 S \* 9/1991 Schreib ..... D8/367  
5,269,719 A \* 12/1993 Klawitter ..... F21S 10/06  
362/35  
D388,467 S \* 12/1997 Casiello ..... D20/43  
D390,883 S \* 2/1998 Watkins ..... D20/15  
D418,543 S \* 1/2000 Kiser ..... D19/65  
D578,381 S \* 10/2008 Wolff ..... D8/395  
2012/0261365 A1 \* 10/2012 Tello ..... B42D 25/22  
211/50

\* cited by examiner

*Primary Examiner* — Elizabeth Albert

(74) *Attorney, Agent, or Firm* — Pearne & Gordon LLP

(57) **CLAIM**

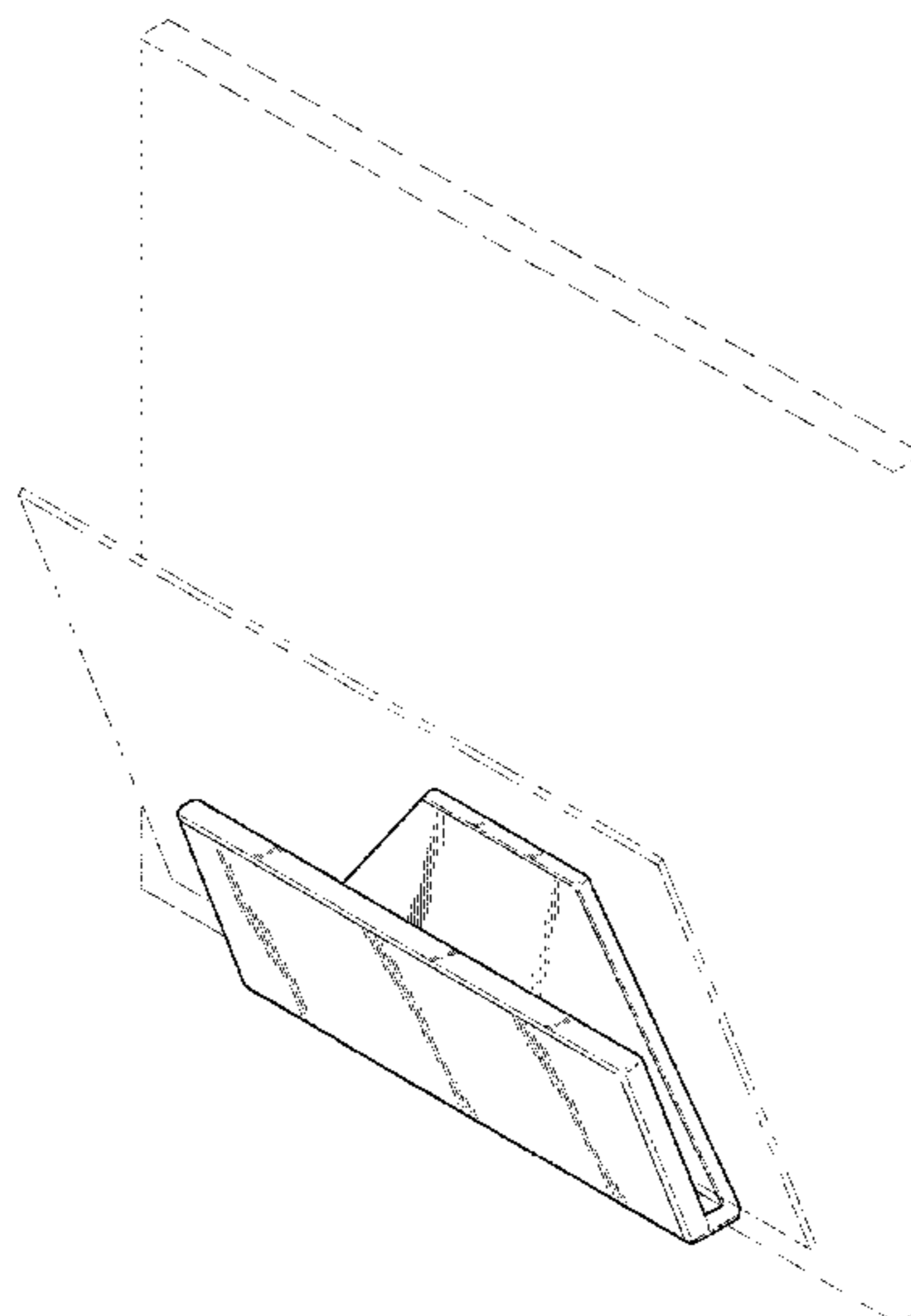
The ornamental design for a card holder, as shown and described.

**DESCRIPTION**

FIG. 1 is a perspective view of a card holder, showing my new design;  
FIG. 2 is a front view thereof;  
FIG. 3 is a back view thereof;  
FIG. 4 is a left side view thereof;  
FIG. 5 is a right side view thereof;  
FIG. 6 is a top view thereof; and,  
FIG. 7 is a bottom view thereof.

The broken lines in FIGS. 1-7 are included for the purpose of showing an article in the environment that forms no part of the claimed design.

**1 Claim, 7 Drawing Sheets**



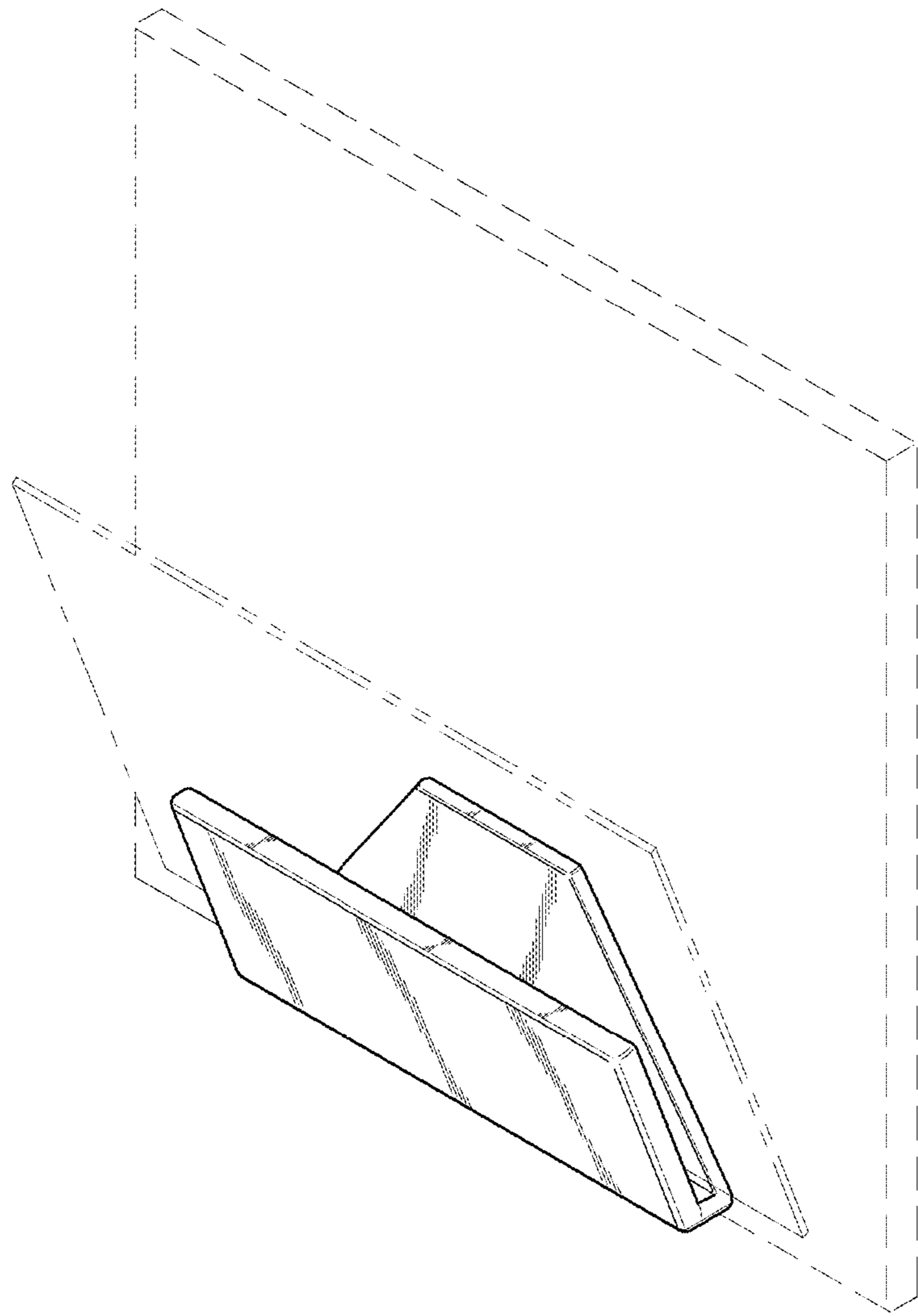


Fig. 1

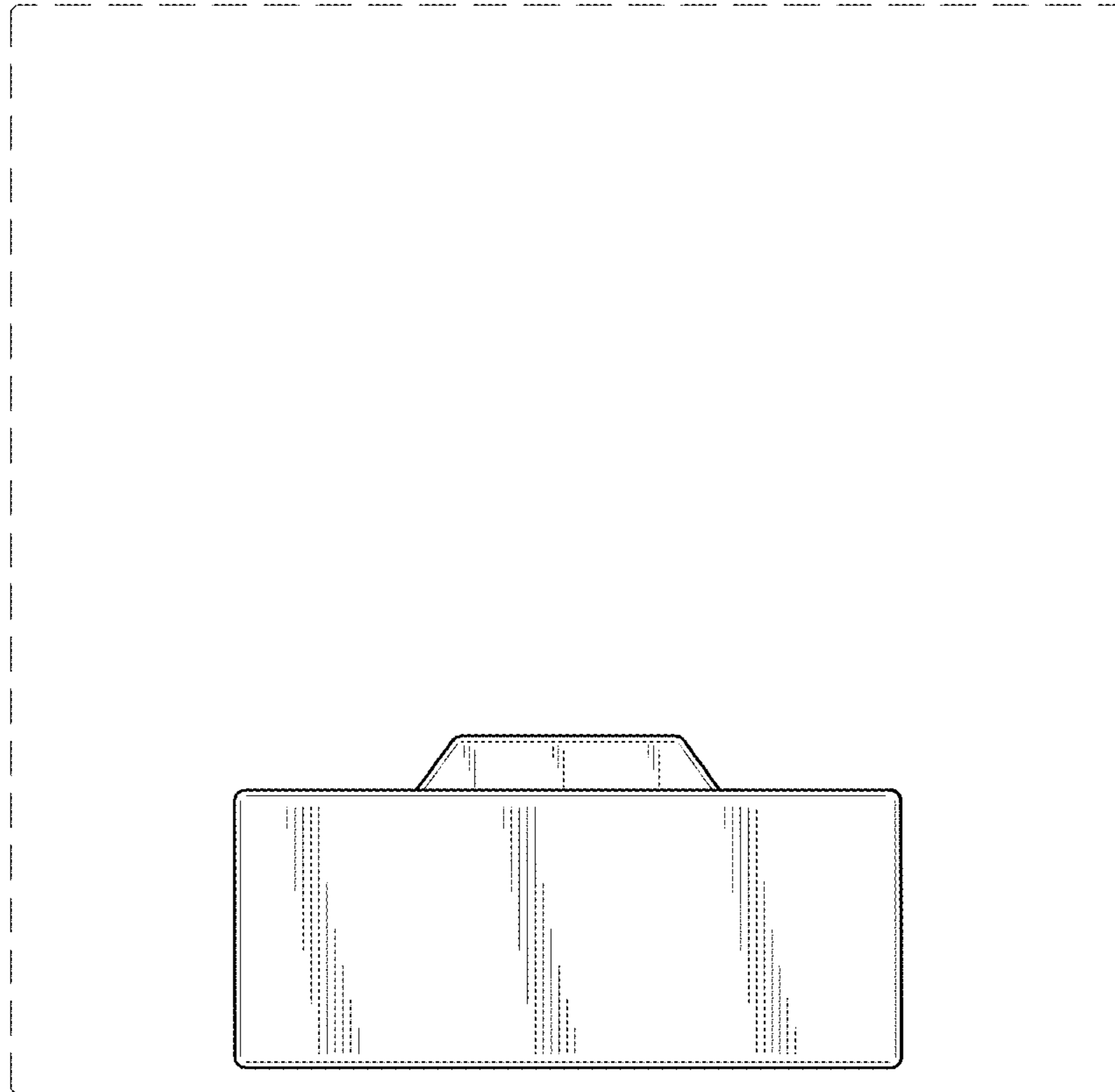


Fig. 2

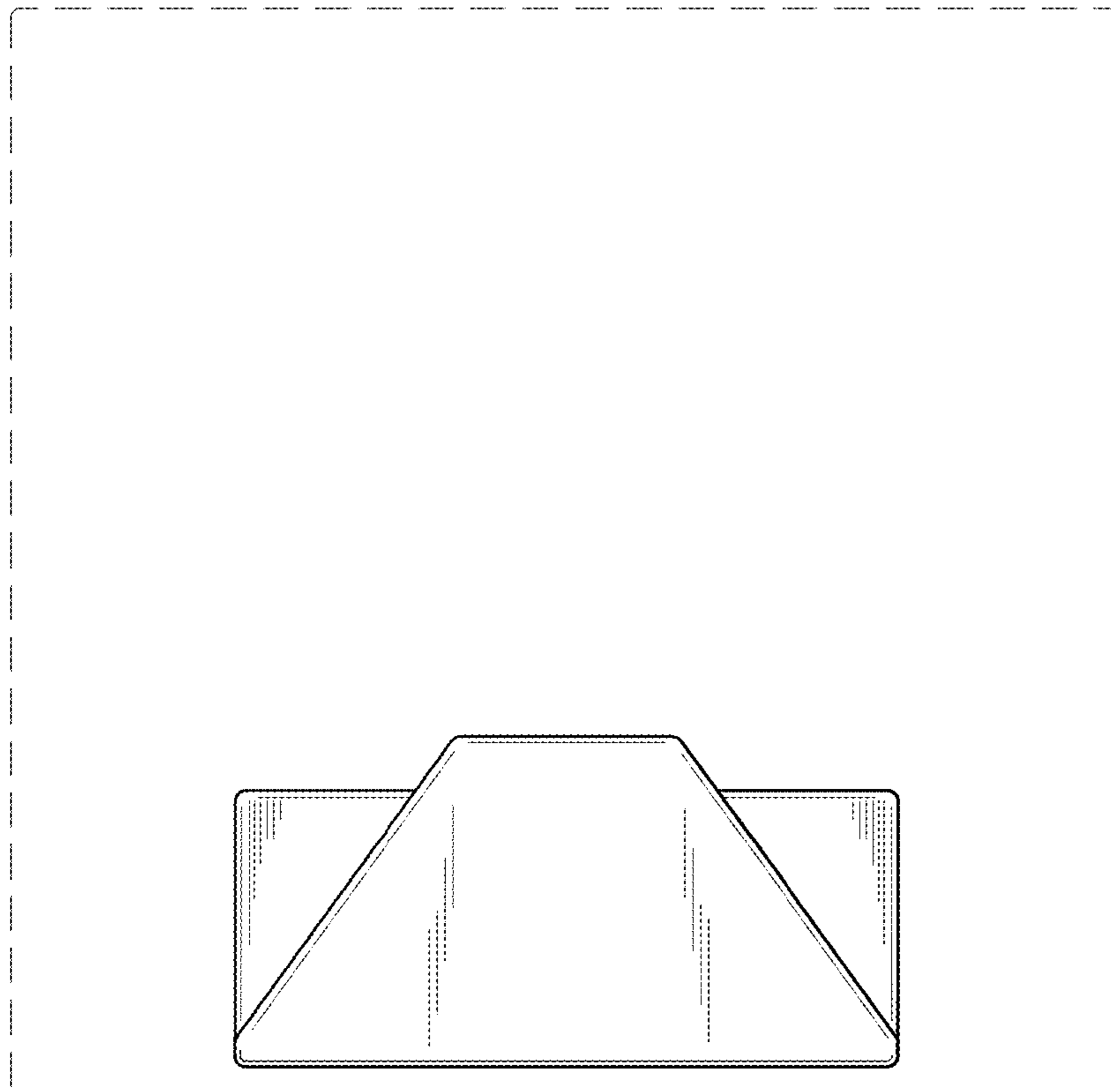


Fig. 3

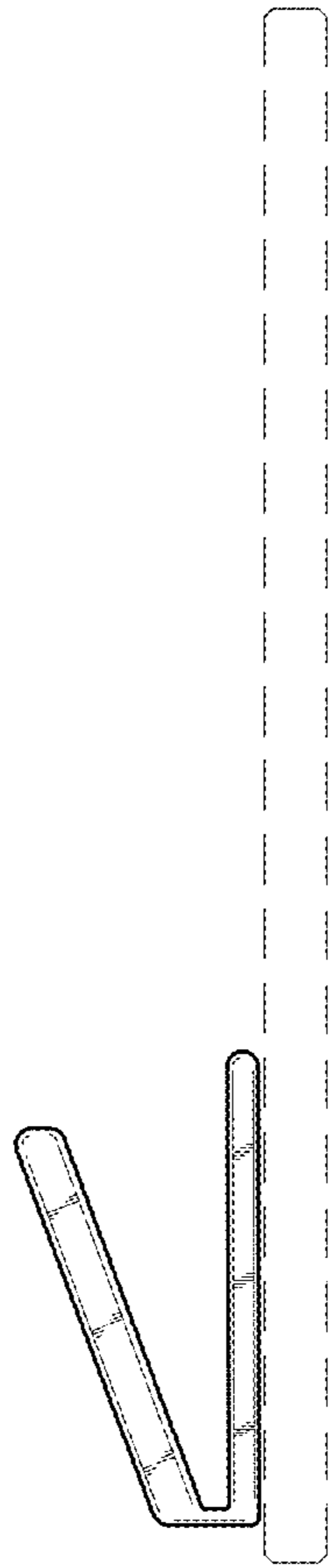


Fig. 4



Fig. 5

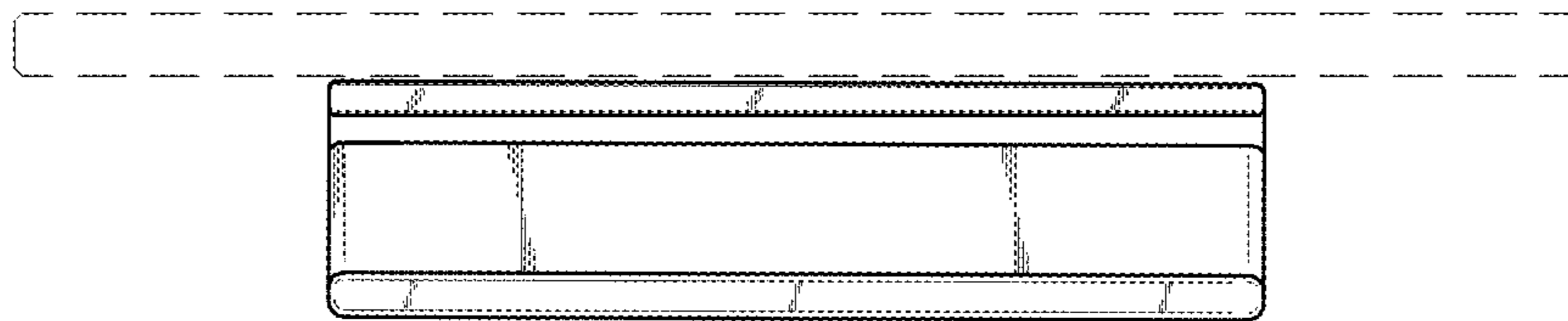


Fig. 6

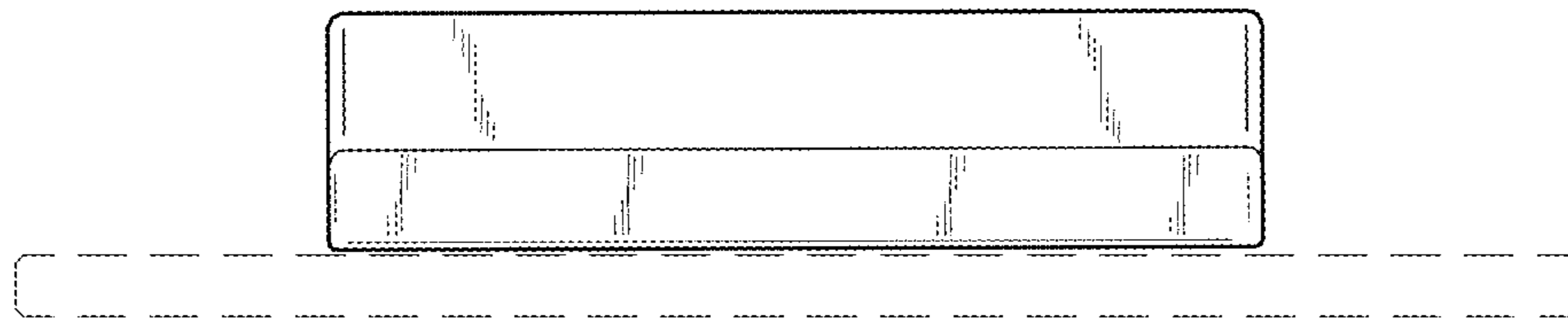


Fig. 7