

US00D769972S

(12) **United States Design Patent** (10) **Patent No.:** **US D769,972 S**  
**Thomson** (45) **Date of Patent:** **\*\* Oct. 25, 2016**

(54) **CLIPBOARD CASE**  
(71) Applicant: **IdeaStream Consumer Products, LLC**, Cleveland, OH (US)  
(72) Inventor: **Vincent J. Thomson**, Avon Lake, OH (US)  
(73) Assignee: **IdeaStream Consumer Products, LLC**, Cleveland, OH (US)  
(\*\*) Term: **15 Years**  
(21) Appl. No.: **29/541,494**  
(22) Filed: **Oct. 5, 2015**  
(51) **LOC (10) Cl.** ..... **19-02**  
(52) **U.S. Cl.**  
USPC ..... **D19/88**  
(58) **Field of Classification Search**  
USPC ..... D3/273, 292, 294; D19/86-92; D9/414, D9/415, 422, 423, 424, 432  
CPC .. B42D 5/005; A47B 63/00; B65D 83/0835; B65D 83/0894; B42F 9/001; B42F 9/002  
See application file for complete search history.

D501,083 S \* 1/2005 Perella ..... D3/276  
D501,995 S \* 2/2005 Perella ..... D3/226  
D503,503 S \* 3/2005 Perella ..... D99/28  
D515,809 S \* 2/2006 Perella ..... D3/232  
D522,746 S \* 6/2006 Perella ..... D3/276  
D529,287 S \* 10/2006 Perella ..... D19/86  
D549,447 S \* 8/2007 Perella ..... D3/206  
D561,462 S \* 2/2008 Perella ..... D3/206  
D562,048 S \* 2/2008 Perella ..... D3/272  
D574,655 S \* 8/2008 Perella ..... D3/294  
D578,819 S \* 10/2008 Perella ..... D3/294  
D580,990 S \* 11/2008 Chang ..... D19/88  
D619,809 S \* 7/2010 Huang ..... D3/276  
D619,810 S \* 7/2010 Huang ..... D3/276  
D642,373 S \* 8/2011 Decarlo ..... D3/204  
D647,969 S \* 11/2011 Shamoon ..... D19/88  
D671,743 S \* 12/2012 Cenzano ..... D3/272  
D677,465 S \* 3/2013 Cenzano ..... D3/276  
D692,949 S \* 11/2013 Shamoon ..... D19/88  
D697,135 S \* 1/2014 Tsai ..... D19/88  
D753,765 S \* 4/2016 Chuang ..... D19/88

\* cited by examiner

*Primary Examiner* — Elizabeth Albert  
(74) *Attorney, Agent, or Firm* — Fay Sharpe LLP

(57) **CLAIM**  
The ornamental design for a clipboard case, as shown and described.

(56) **References Cited**

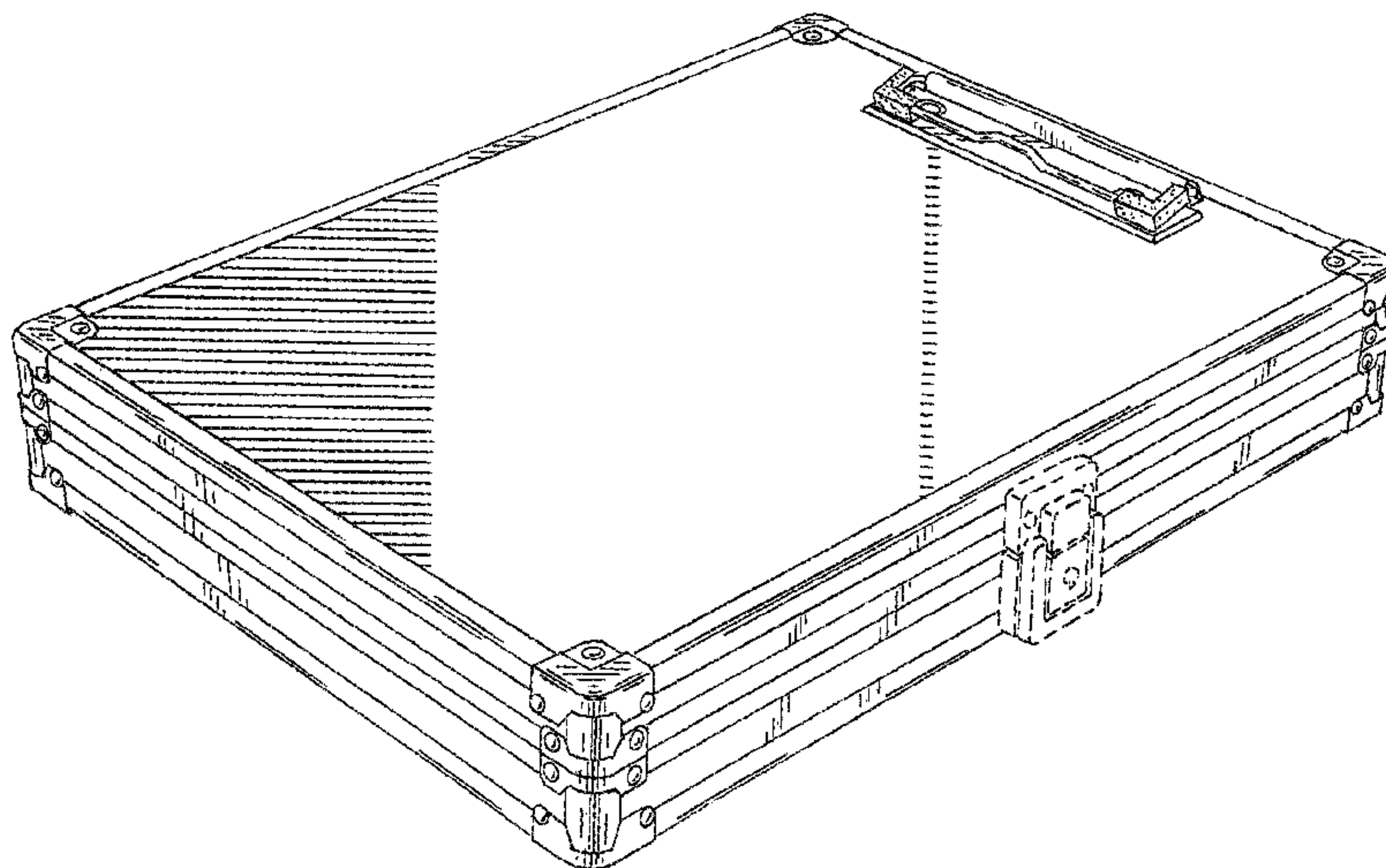
U.S. PATENT DOCUMENTS

D247,993 S \* 5/1978 Calzone, III ..... D3/204  
D287,429 S \* 12/1986 Esslinger ..... D3/292  
5,000,301 A \* 3/1991 Grenier ..... A45C 13/36  
190/107  
5,887,902 A \* 3/1999 Irwin ..... B42F 9/001  
248/451  
D414,037 S \* 9/1999 Akaike ..... D3/272  
D475,748 S \* 6/2003 Shamoon ..... D19/78  
D492,358 S \* 6/2004 Chen ..... D19/65  
D493,936 S \* 8/2004 Perella ..... D99/28  
D495,936 S 9/2004 Middleton  
D498,049 S 11/2004 Perella et al.  
D499,883 S \* 12/2004 Perella ..... D3/276  
D500,800 S \* 1/2005 Shamoon ..... D19/78  
D500,922 S \* 1/2005 Perella ..... D3/273

**DESCRIPTION**

FIG. 1 is top perspective view of a clipboard case showing my new design;  
FIG. 2 is a side elevation view thereof;  
FIG. 3 is an opposite side elevation view thereof;  
FIG. 4 is a front elevation view thereof;  
FIG. 5 is a back elevation view thereof;  
FIG. 6 is a top plan view thereof; and,  
FIG. 7 is a bottom plan view thereof.  
The broken lines showing features on the clipboard case are included for the purpose of showing portions that form no part of the claimed design.

**1 Claim, 5 Drawing Sheets**



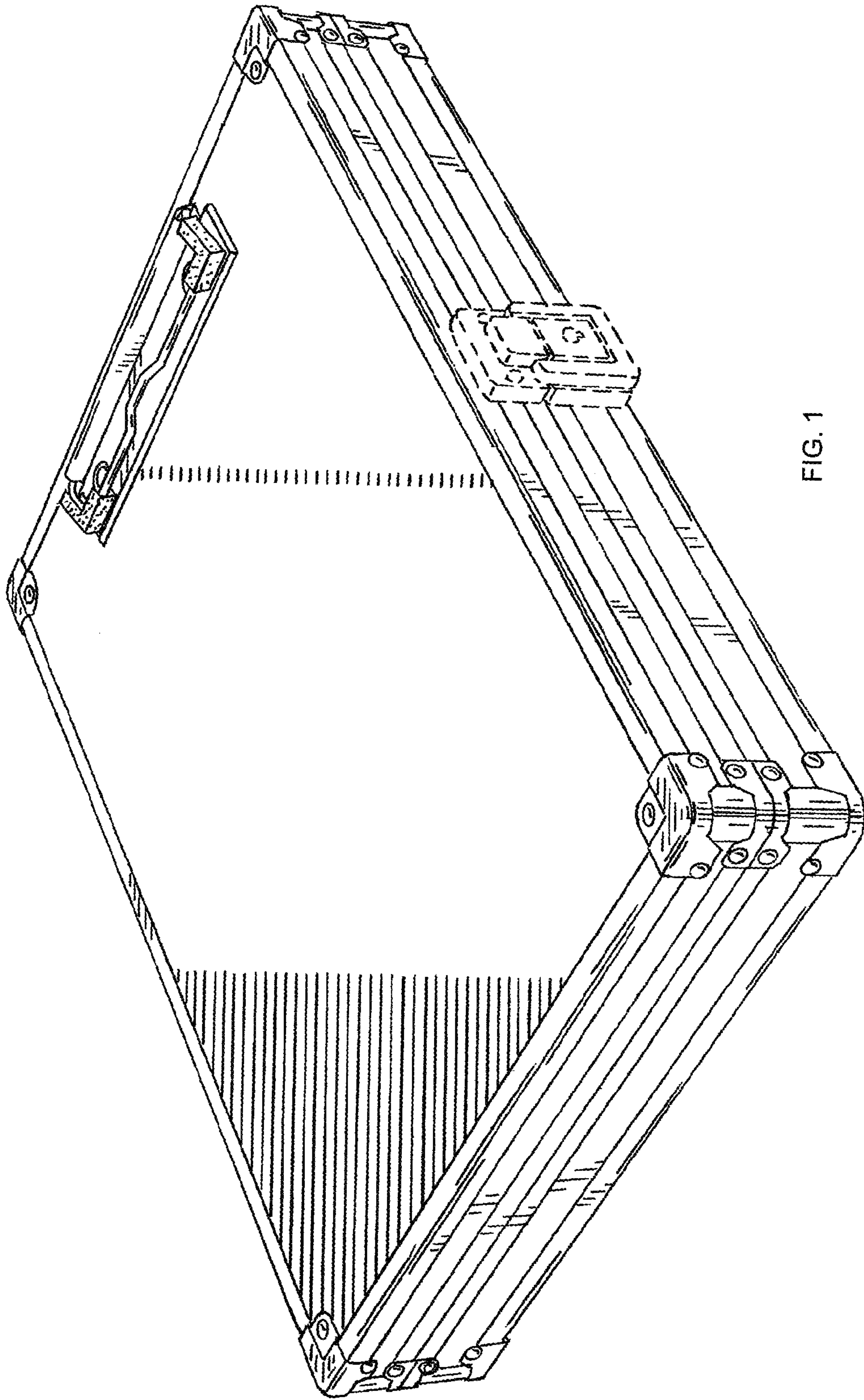


FIG. 1

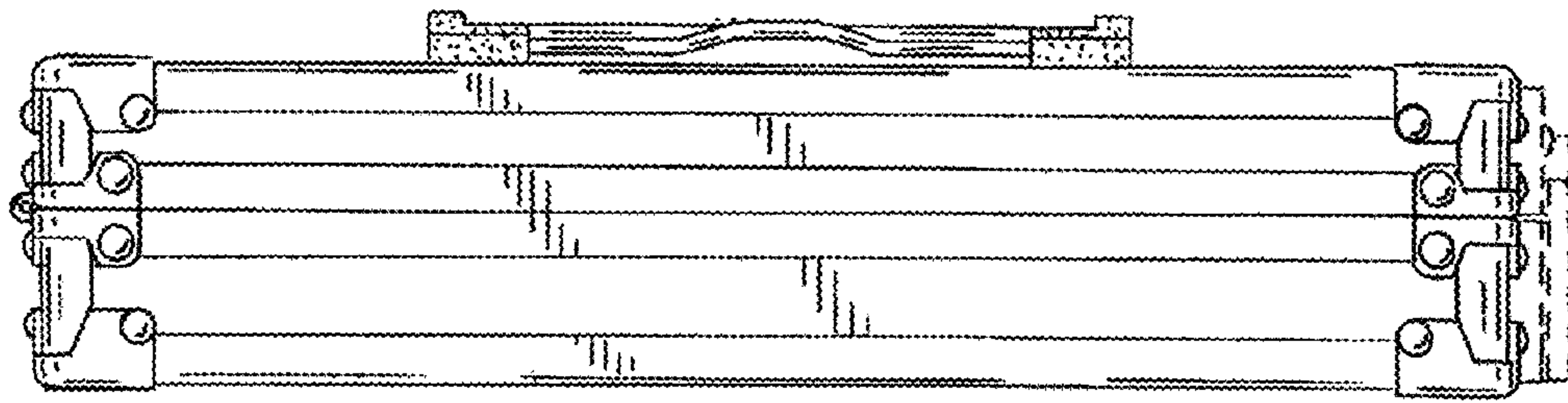


FIG. 2

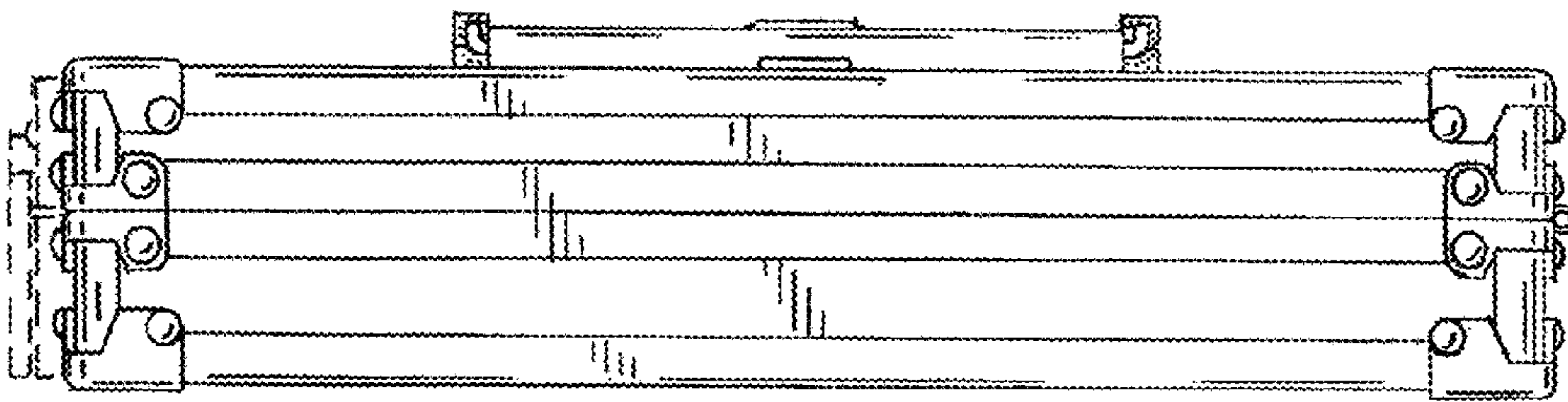


FIG. 3



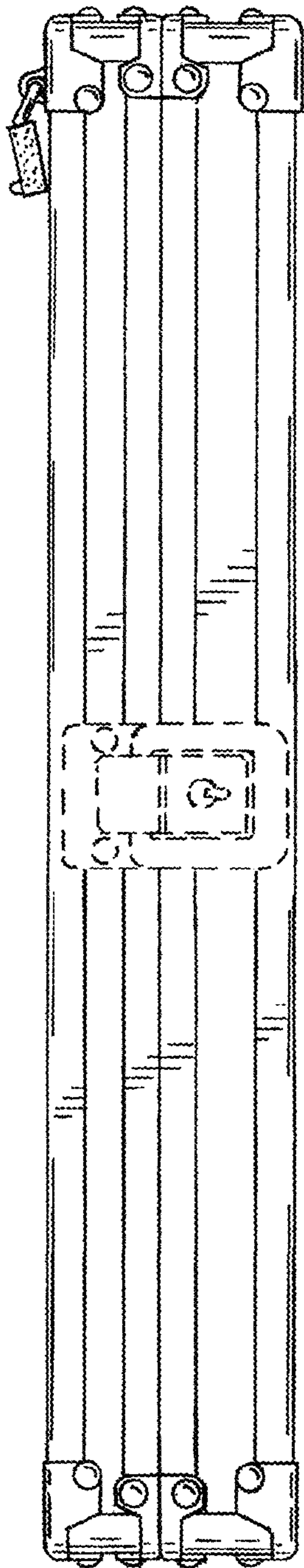


FIG. 4

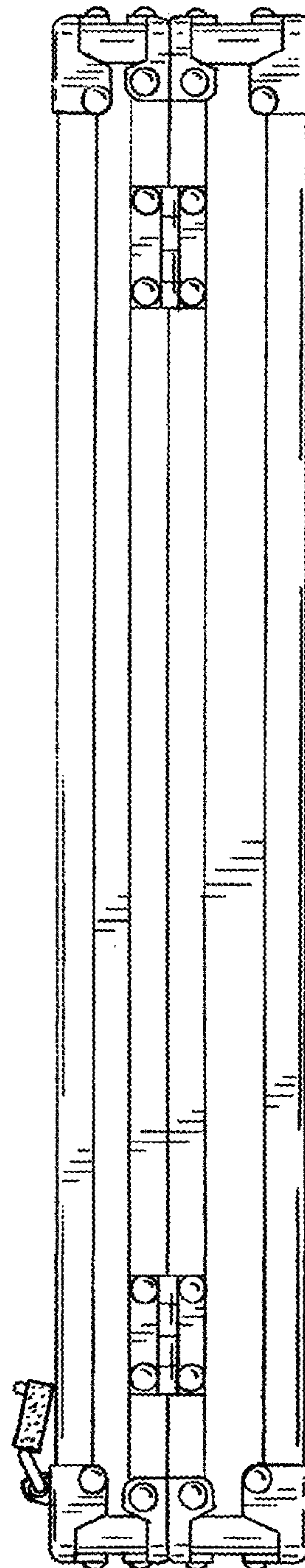


FIG. 5

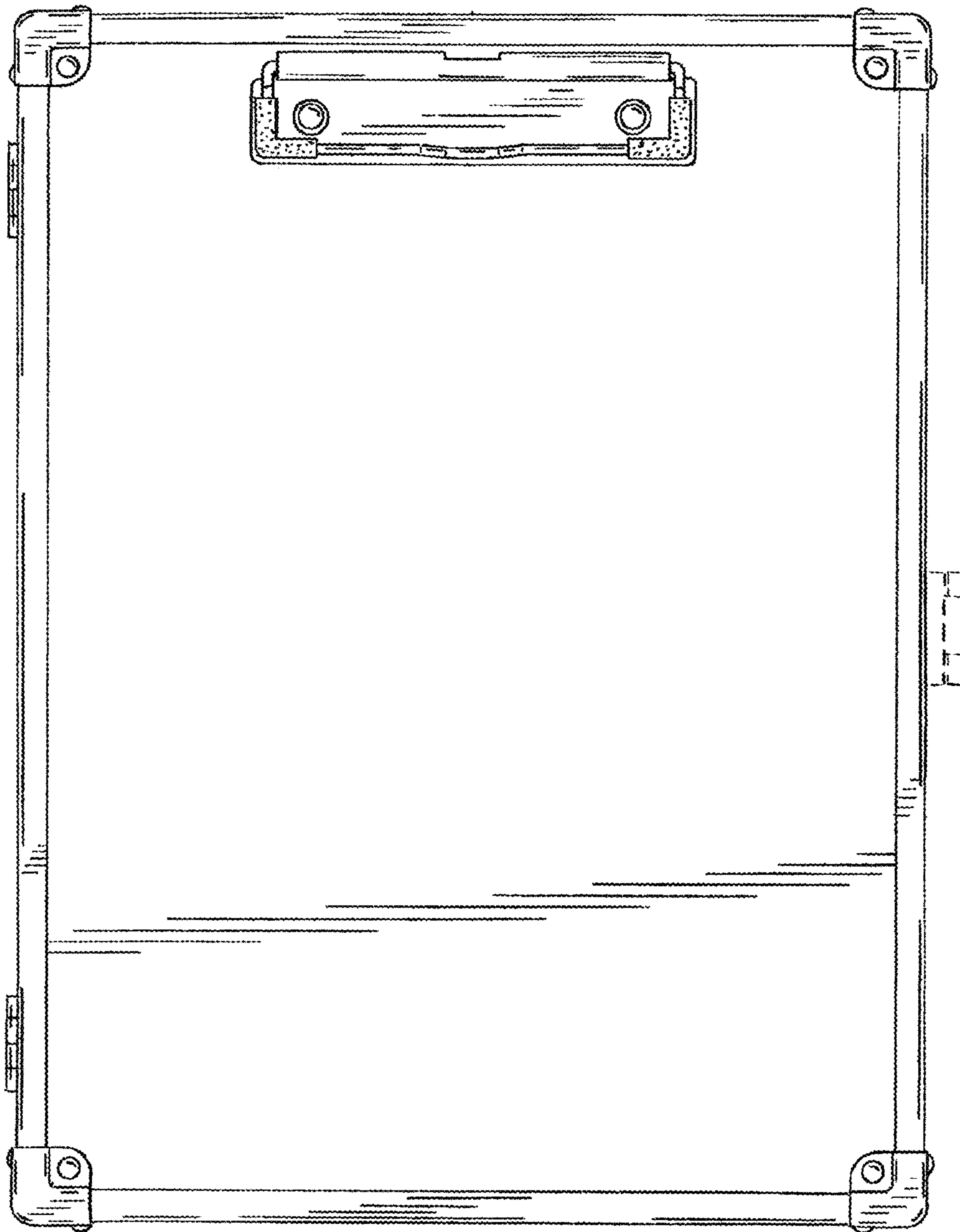


FIG. 6

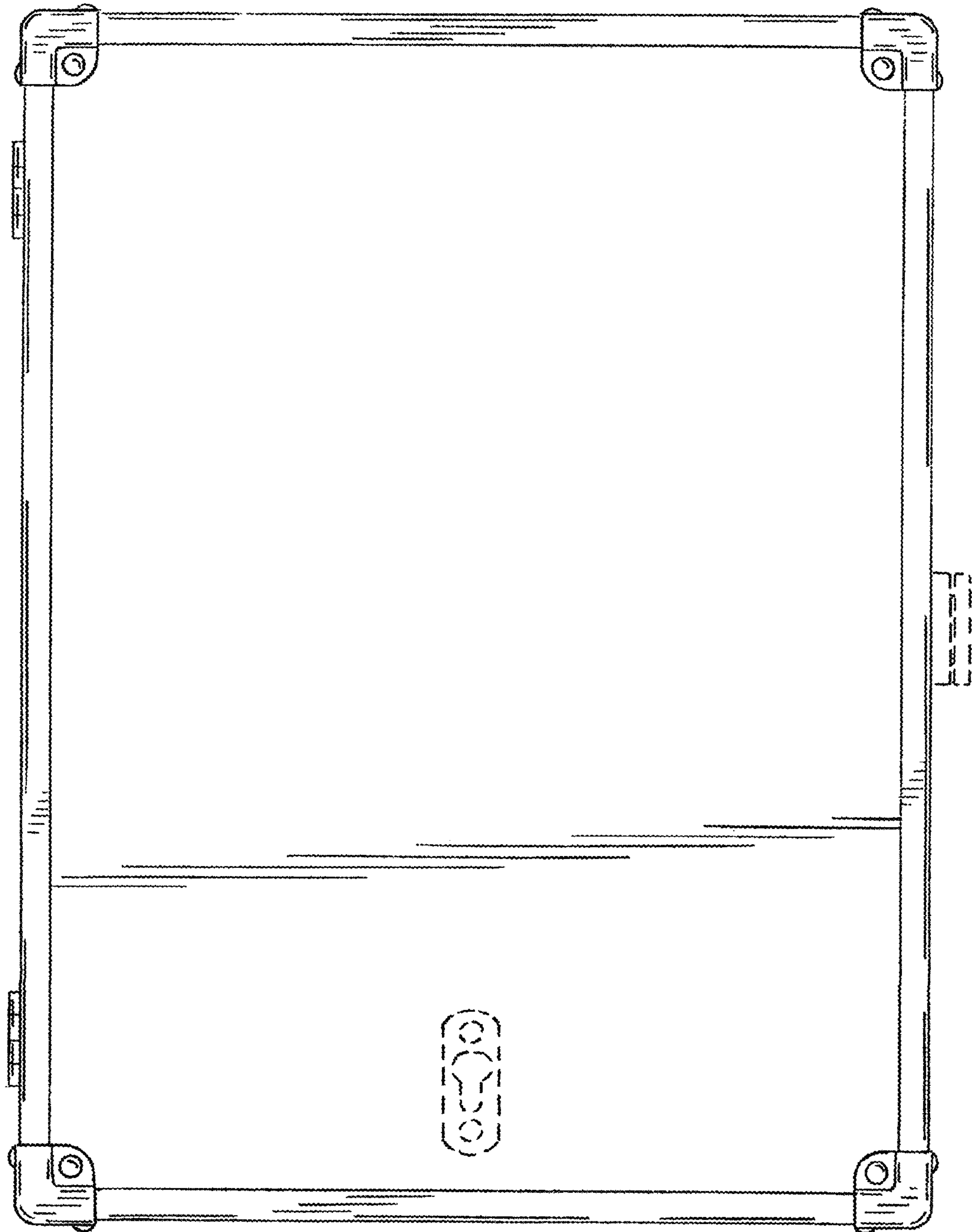


FIG. 7