



US00D769967S

(12) **United States Design Patent**  
**Kim et al.**

(10) **Patent No.:** **US D769,967 S**  
(45) **Date of Patent:** **\*\* Oct. 25, 2016**

(54) **PRINTER**

(71) Applicant: **Samsung Electronics Co., Ltd.**,  
Suwon-si (KR)

(72) Inventors: **Jong Kyu Kim**, Yongin-si (KR);  
**Kwang Hyuck So**, Seoul (KR); **Min Chul Kim**, Seoul (KR)

(73) Assignee: **Samsung Electronics Co., Ltd.**,  
Suwon-si (KR)

(\*\*) Term: **15 Years**

(21) Appl. No.: **29/531,843**

(22) Filed: **Jun. 30, 2015**

(30) **Foreign Application Priority Data**

Dec. 31, 2014 (KR) ..... 30-2014-0064486

(51) **LOC (10) Cl.** ..... **18-02**

(52) **U.S. Cl.**  
USPC ..... **D18/56; D18/55**

(58) **Field of Classification Search**  
USPC ..... D14/421, 422, 425, 432; D18/4.5, 4.6,  
D18/14, 19, 36-41, 49, 50, 54, 54.1, 55, 56,  
D18/99

CPC ..... B41J 2/17; B41J 2/18; B41J 13/10;  
B41J 29/00; B41J 29/02; B41J 29/18; B41J  
11/00; G06F 3/00; G06F 3/12; G06Q 20/32;  
G06Q 20/40; G06Q 20/20; G06K 15/02;  
G03G 21/16; G03G 15/00

See application file for complete search history.

(56) **References Cited**

**U.S. PATENT DOCUMENTS**

D536,731 S \* 2/2007 Tate ..... D18/50  
D549,772 S \* 8/2007 Mase ..... D18/55  
D561,822 S \* 2/2008 Tatara ..... D18/50  
D562,886 S \* 2/2008 Egami ..... D18/55  
D607,047 S \* 12/2009 Egami ..... D18/50

D607,928 S \* 1/2010 Kim ..... D18/55  
D639,847 S \* 6/2011 Nakata ..... D18/50  
D672,388 S \* 12/2012 Kim ..... D18/50  
D682,328 S \* 5/2013 Day ..... D15/146  
D685,413 S \* 7/2013 Jihoon ..... D18/50  
D693,873 S \* 11/2013 Fukasawa ..... D18/55  
D697,964 S \* 1/2014 Fukasawa ..... D18/55  
D697,965 S \* 1/2014 Fukasawa ..... D18/55  
D715,853 S \* 10/2014 Kim ..... D18/50  
D719,168 S \* 12/2014 Tani ..... D14/422

(Continued)

**OTHER PUBLICATIONS**

Unboxing Samsung Xpress M2022, dated Dec. 10, 2014, [online],  
[site visited May 27, 2016]. Available from Internet, <URL: <https://www.youtube.com/watch?v=tU1V5Cjaa14>>.\*

(Continued)

*Primary Examiner* — Thomas Johannes  
*Assistant Examiner* — Shawn T Gingrich  
(74) *Attorney, Agent, or Firm* — NSIP Law

(57) **CLAIM**

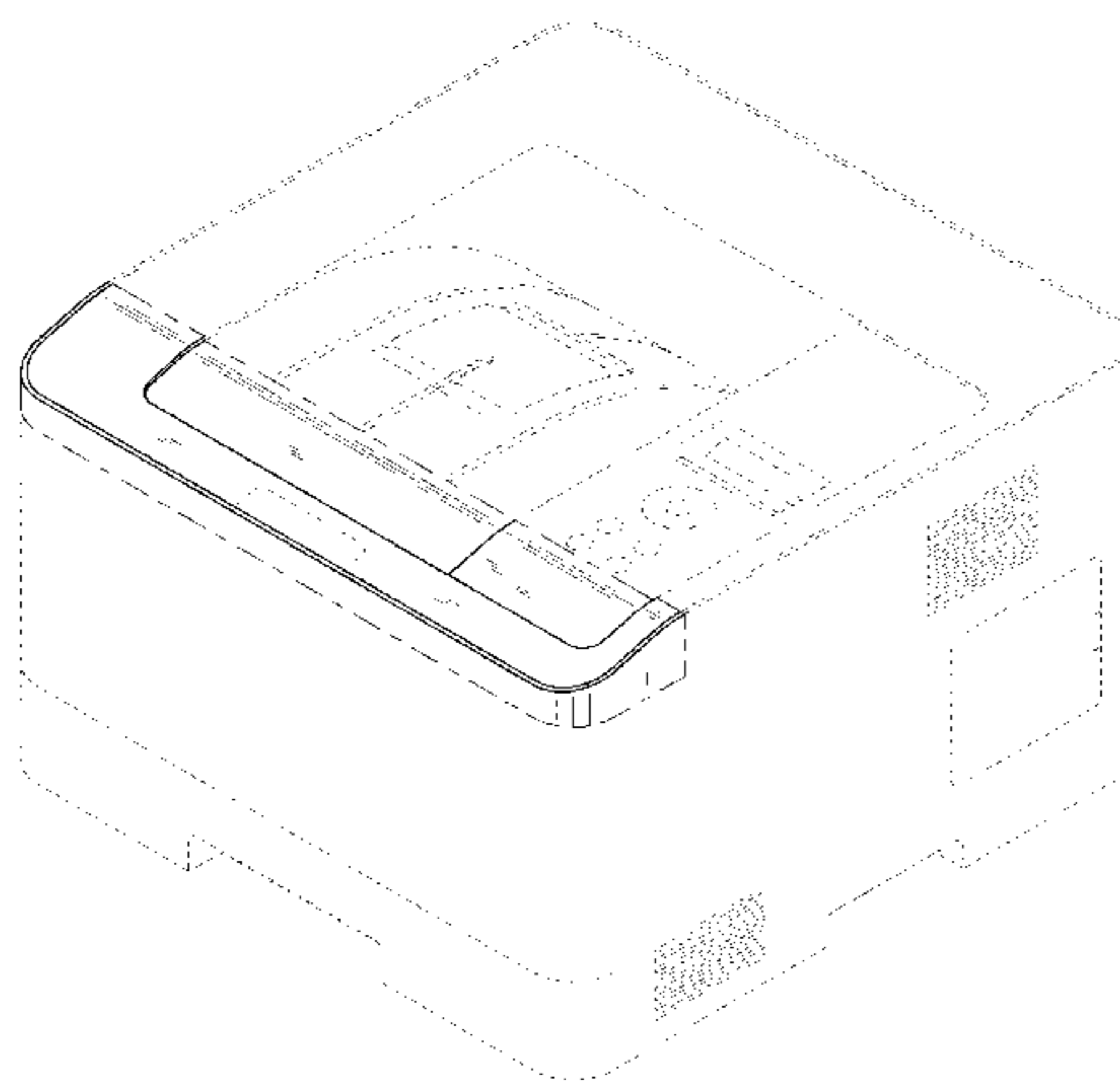
We claim the ornamental design for a printer, as shown and described.

**DESCRIPTION**

FIG. 1 is a front perspective view of a printer showing our new design;  
FIG. 2 is a front view thereof;  
FIG. 3 is a rear view thereof;  
FIG. 4 is a left-side view thereof;  
FIG. 5 is a right-side view thereof;  
FIG. 6 is a top view thereof; and,  
FIG. 7 is a bottom view thereof.

The broken lines illustrating portions of the printer are for environmental purposes only and form no part of the claimed design. The dot-dash lines in the figures represent an unclaimed boundary line and form no part of the claimed design.

**1 Claim, 5 Drawing Sheets**



(56)

**References Cited**

**OTHER PUBLICATIONS**

U.S. PATENT DOCUMENTS

D723,615 S \* 3/2015 Sato ..... D18/50  
D724,141 S \* 3/2015 Kim ..... D18/55  
D725,184 S \* 3/2015 Kim ..... D18/55  
D725,185 S \* 3/2015 Kim ..... D18/55  
D740,359 S \* 10/2015 So ..... D18/55  
D750,164 S \* 2/2016 So ..... D18/50

Samsung Xpress C1810W Pictures, dated May 28, 2014, [online],  
[site visited May 27, 2016]. Available from Internet, <URL: <http://www.expertreviews.co.uk/printers/6142/samsung-xpress-c1810w-review>>.\*

\* cited by examiner

FIG. 1

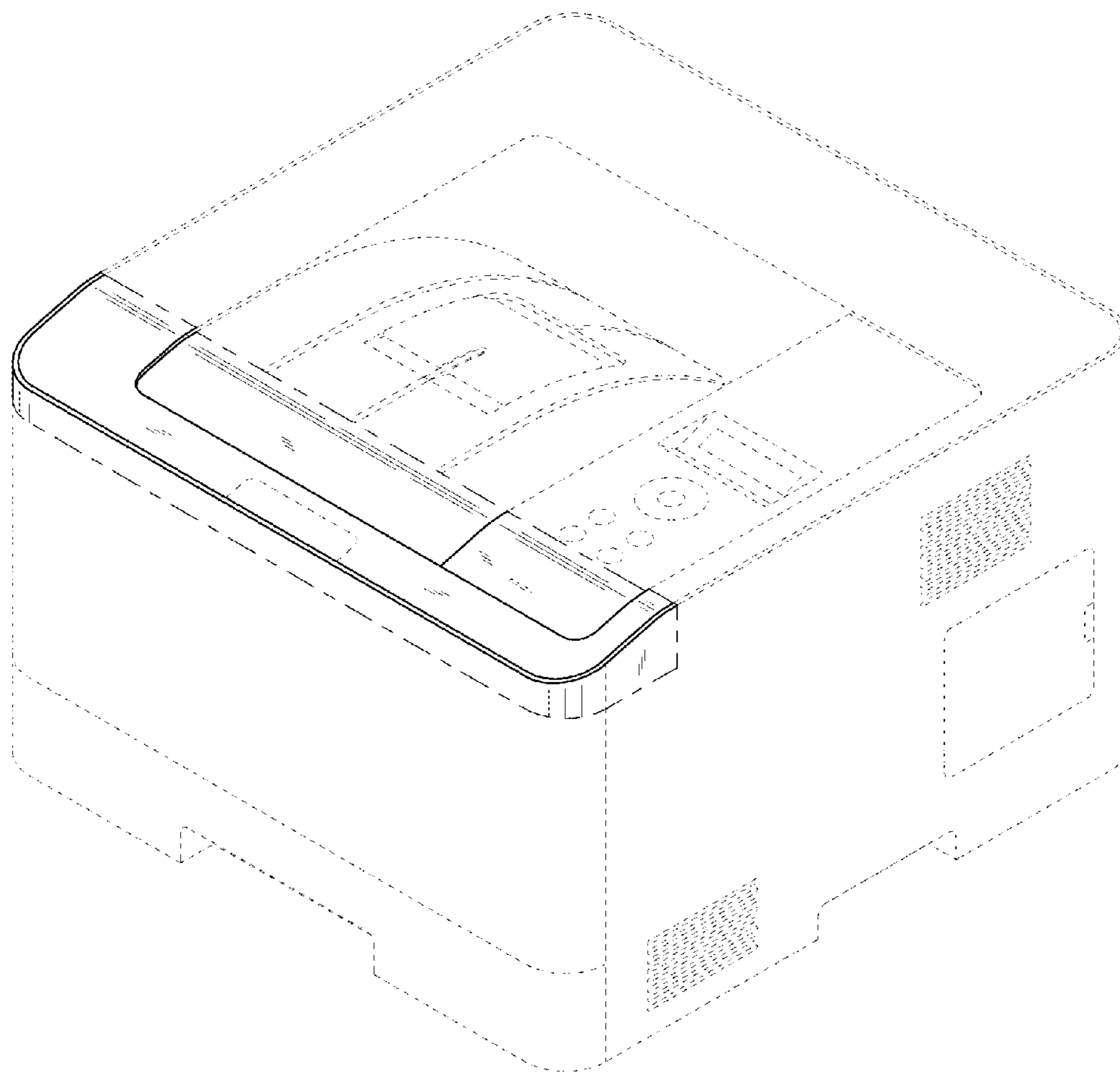


FIG.2

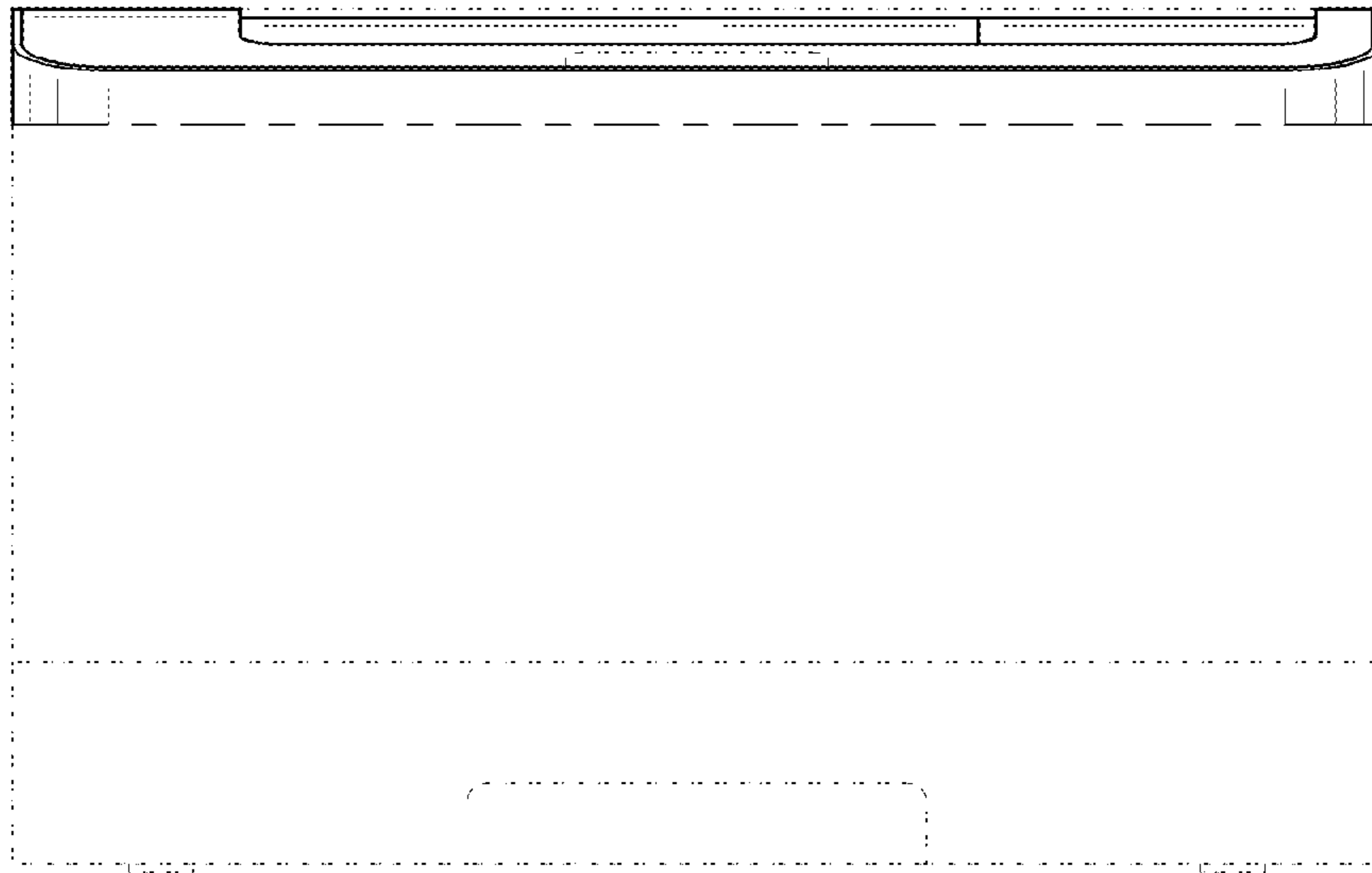


FIG.3

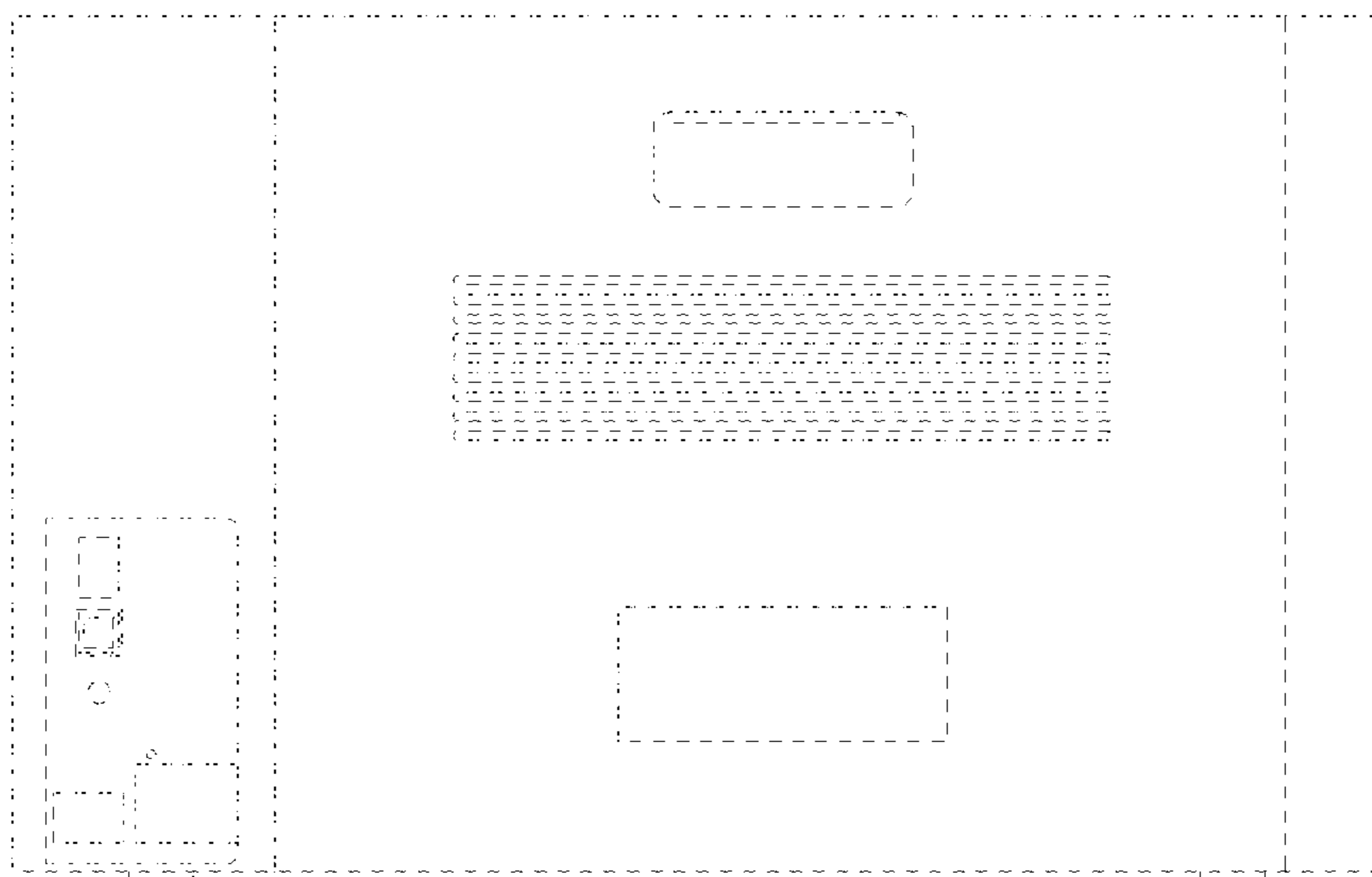


FIG.4

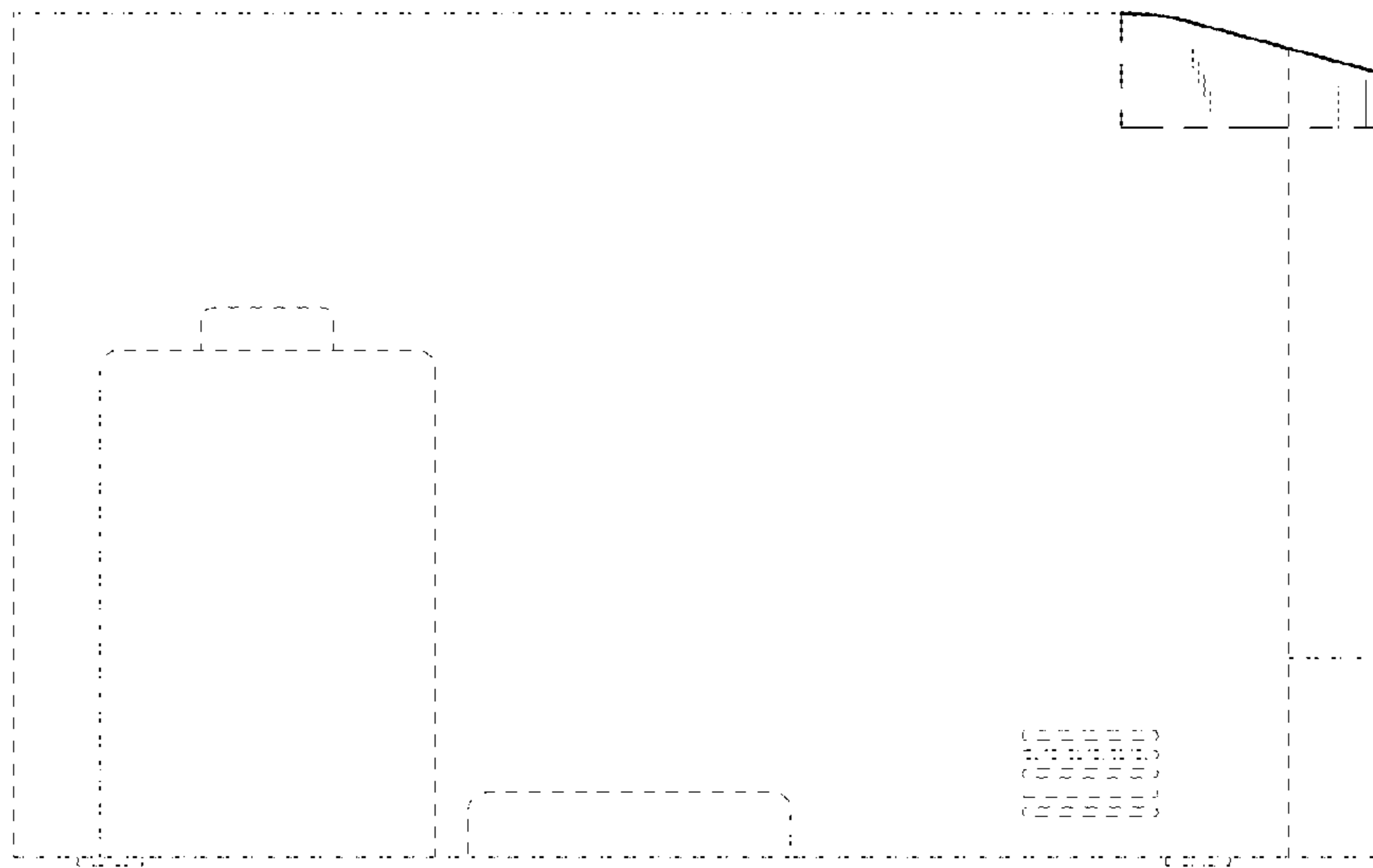


FIG.5

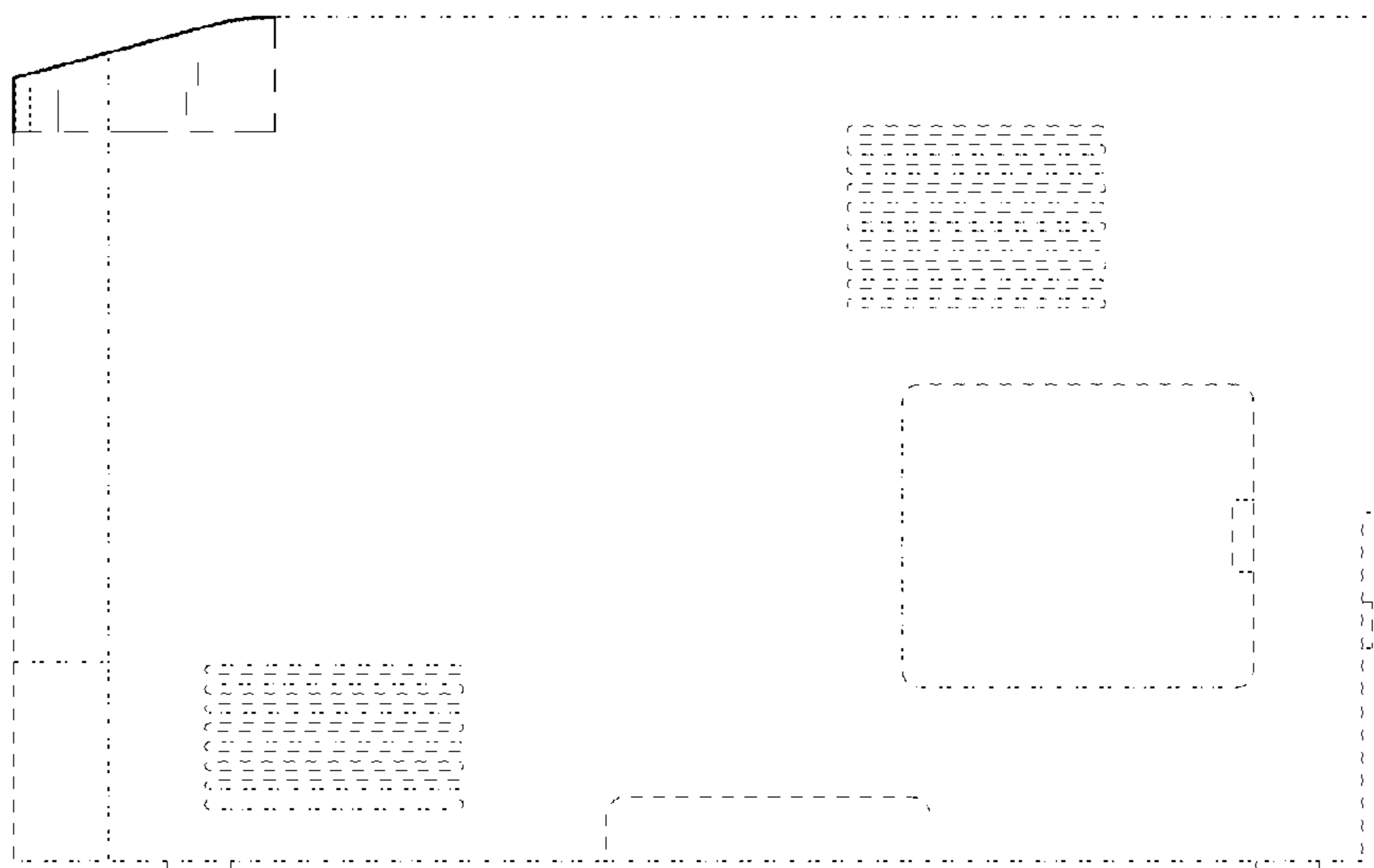


FIG.6

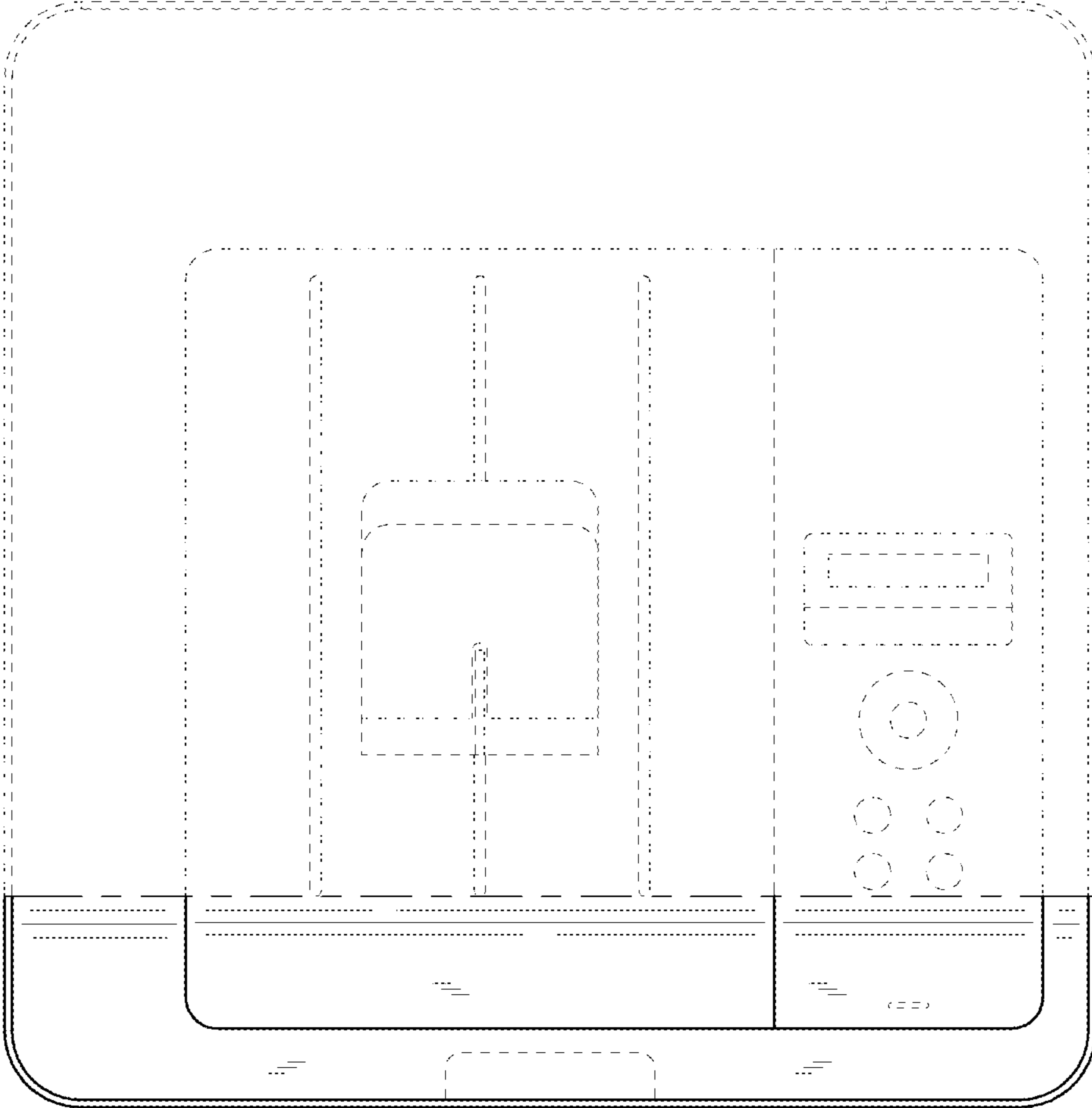


FIG.7

