



US00D769966S

(12) **United States Design Patent** (10) **Patent No.:** **US D769,966 S**  
**Mizutani et al.** (45) **Date of Patent:** **\*\* Oct. 25, 2016**

(54) **CAP FOR AN INK CARTRIDGE**  
(71) Applicant: **SEIKO EPSON CORPORATION**,  
Tokyo (JP)  
(72) Inventors: **Tadahiro Mizutani**, Shiojiri (JP);  
**Koichi Toba**, Shiojiri (JP); **Atsushi**  
**Kobayashi**, Matsumoto (JP)  
(73) Assignee: **SEIKO EPSON CORPORATION**,  
Tokyo (JP)  
(\*\*) Term: **14 Years**

6,550,890 B2 4/2003 Saijo  
6,634,742 B2 10/2003 Owaki et al.  
6,641,250 B2 11/2003 Saito  
6,817,695 B1 11/2004 Aldrich et al.  
7,021,741 B2 4/2006 Aldrich et al.  
7,195,334 B2 3/2007 Nakamura  
7,290,850 B2 11/2007 Nishino  
7,311,375 B2 12/2007 Suzuki et al.  
7,455,385 B2 11/2008 Takeda  
D611,532 S 3/2010 Nanjo et al.  
D618,722 S 6/2010 Nakazawa  
8,376,510 B2 2/2013 Mealy et al.  
D680,165 S \* 4/2013 Takagi ..... D18/56  
D681,728 S \* 5/2013 Takagi ..... D18/56

(Continued)

(21) Appl. No.: **29/501,257**  
(22) Filed: **Sep. 3, 2014**

**Related U.S. Application Data**

(62) Division of application No. 29/464,546, filed on Aug.  
19, 2013, now Pat. No. Des. 726,252.  
(51) **LOC (10) Cl.** ..... **18-02**  
(52) **U.S. Cl.**  
USPC ..... **D18/56**  
(58) **Field of Classification Search**  
USPC ..... D18/12, 40, 43, 56; 347/24, 29-32, 50,  
347/86-87  
CPC ..... B41J 2/16508; B41J 2/16523; B41J  
2/16547; B41J 2/17513; B41J 2002/14491  
See application file for complete search history.

(56) **References Cited**

**U.S. PATENT DOCUMENTS**

5,644,346 A 7/1997 Schwiebert et al.  
5,867,184 A 2/1999 Quintana  
6,152,555 A 11/2000 Nozawa et al.  
6,390,593 B1 5/2002 De Roos et al.  
6,422,681 B1 7/2002 Berg et al.  
D465,803 S 11/2002 Tajima  
6,474,796 B1 11/2002 Ishinaga

**FOREIGN PATENT DOCUMENTS**

EP 0947328 A2 10/1999  
EP 2103435 A2 9/2009

(Continued)

*Primary Examiner* — Cathy Anne MacCormac

(57) **CLAIM**

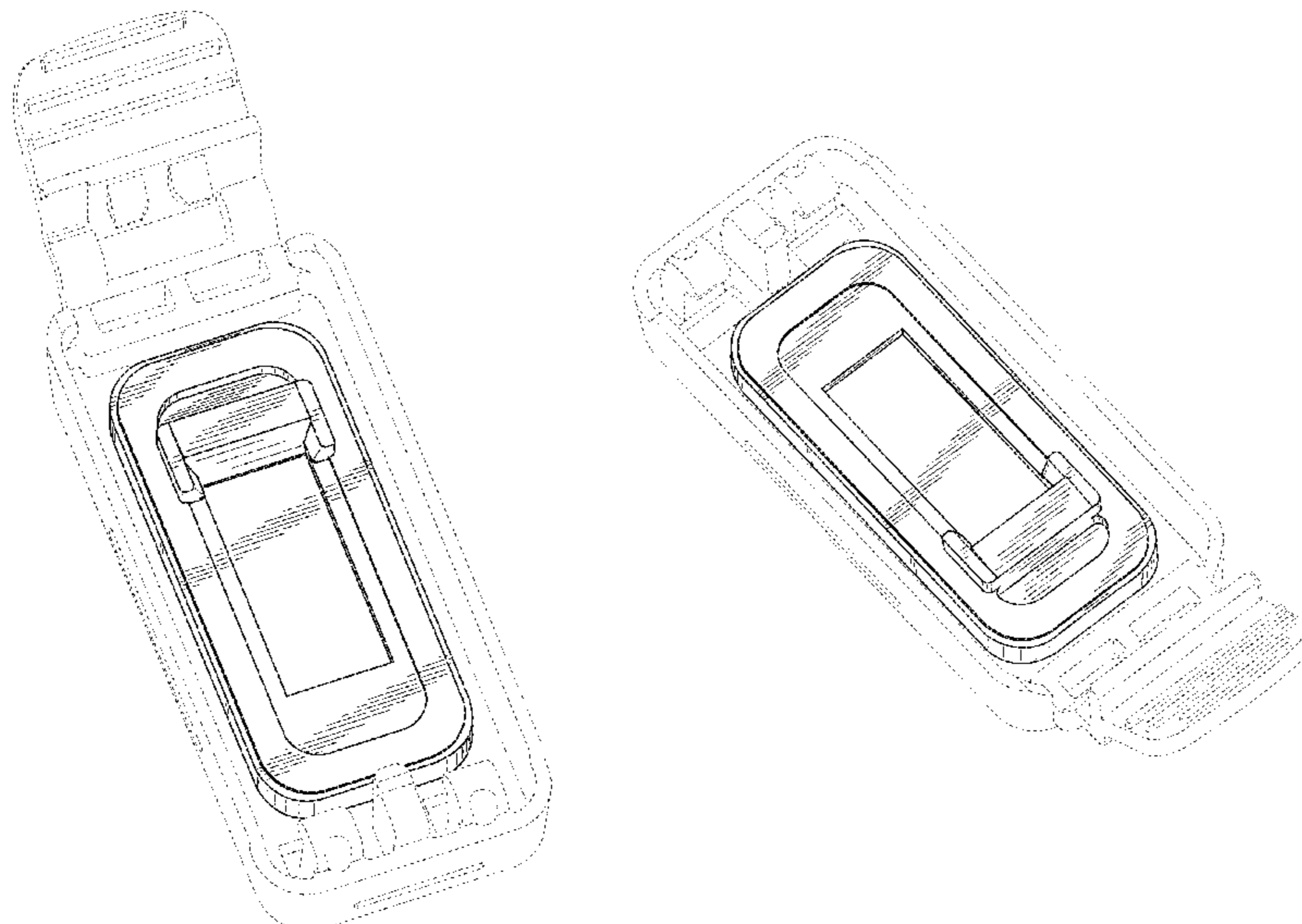
The ornamental design for a cap for an ink cartridge, as  
shown and described.

**DESCRIPTION**

FIG. 1 is a front, top and right side perspective view of a cap  
for an ink cartridge showing our new design;  
FIG. 2 is a rear, top and left side perspective view thereof;  
FIG. 3 is a front view thereof;  
FIG. 4 is a rear view thereof;  
FIG. 5 is a top plan view thereof;  
FIG. 6 is a bottom plan view thereof;  
FIG. 7 is a right side view thereof; and,  
FIG. 8 is a left side view thereof.

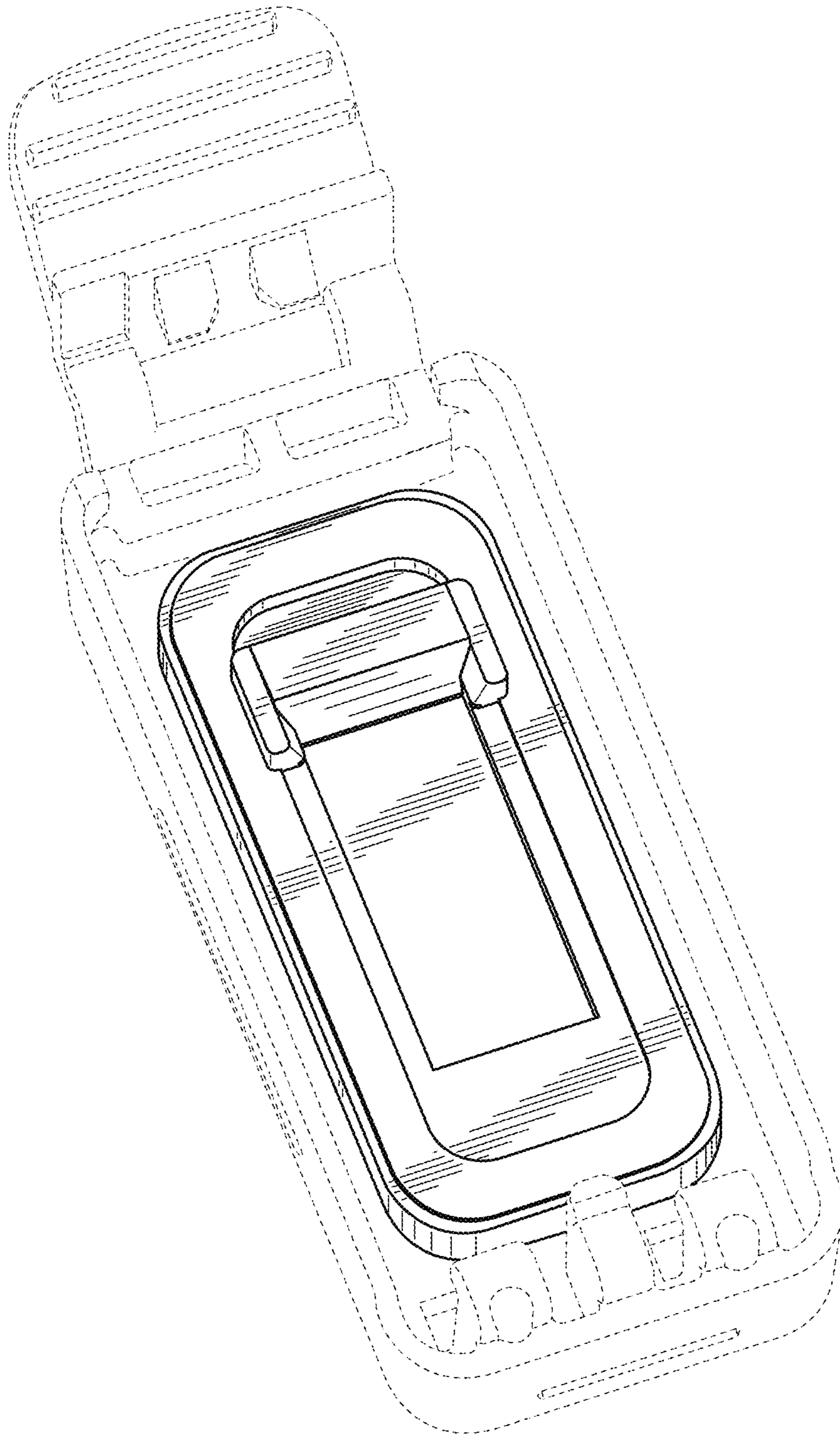
The features shown in broken lines in the drawings depict  
environmental subject matter only and form no part of the  
claimed design.

**1 Claim, 8 Drawing Sheets**

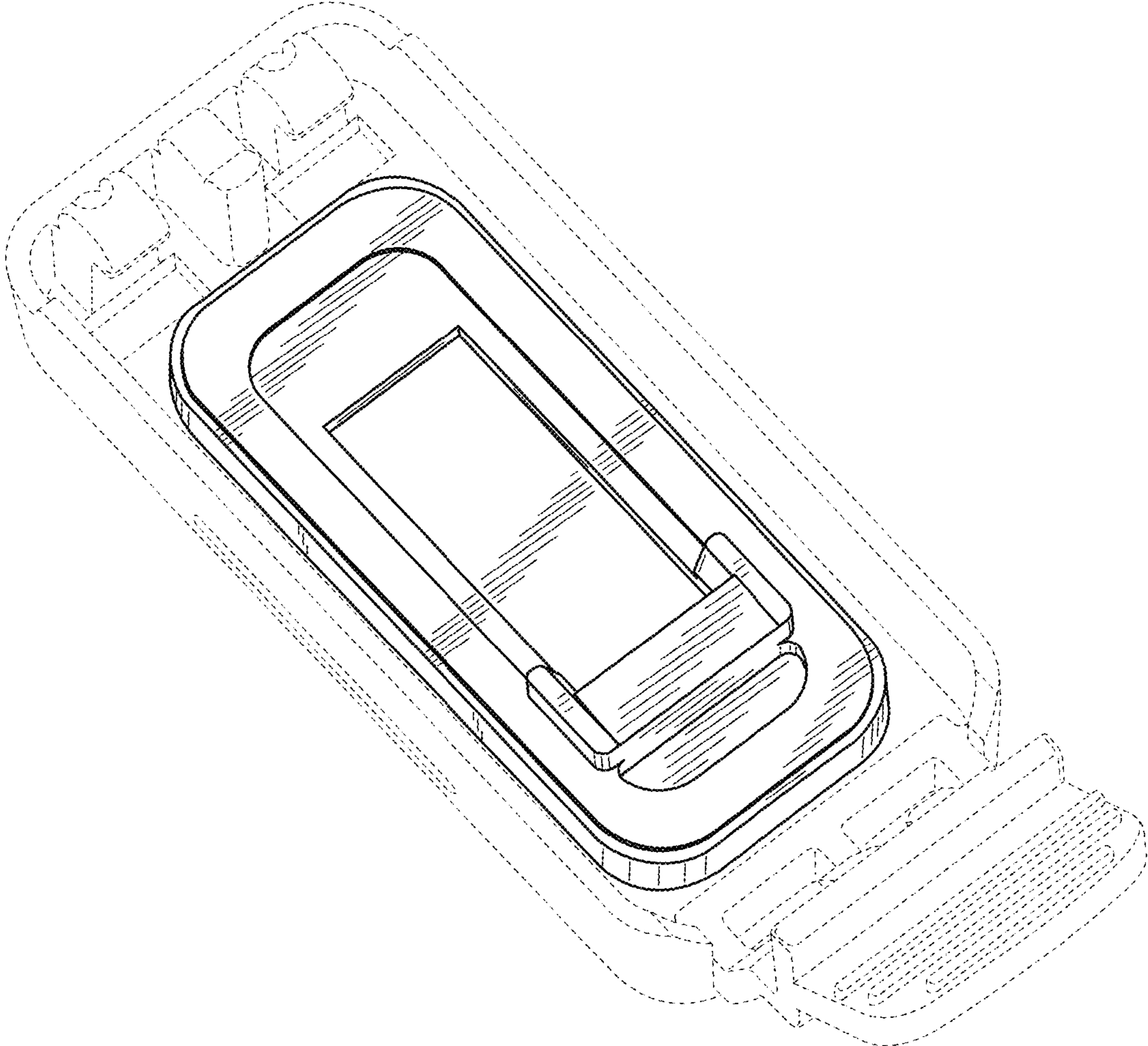




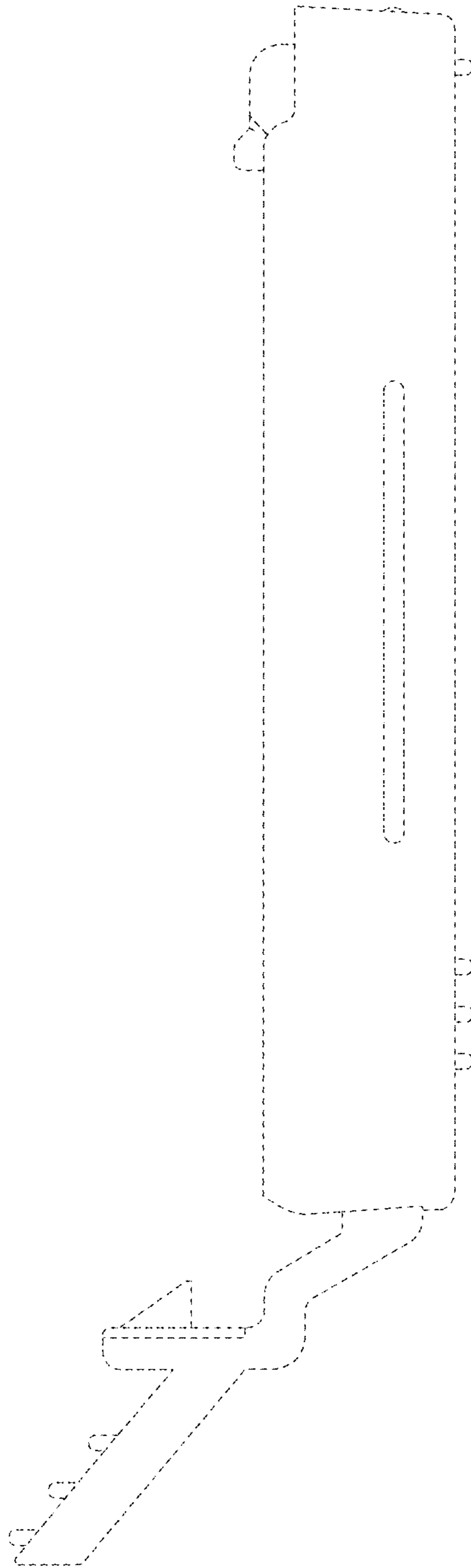
**FIG. 1**



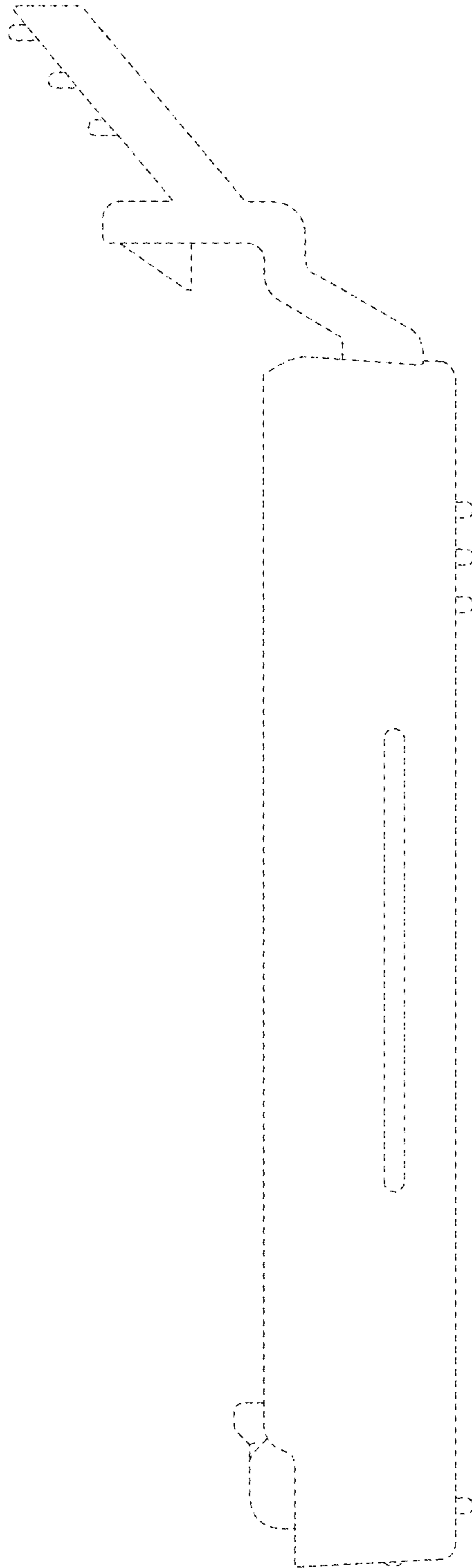
**FIG. 2**



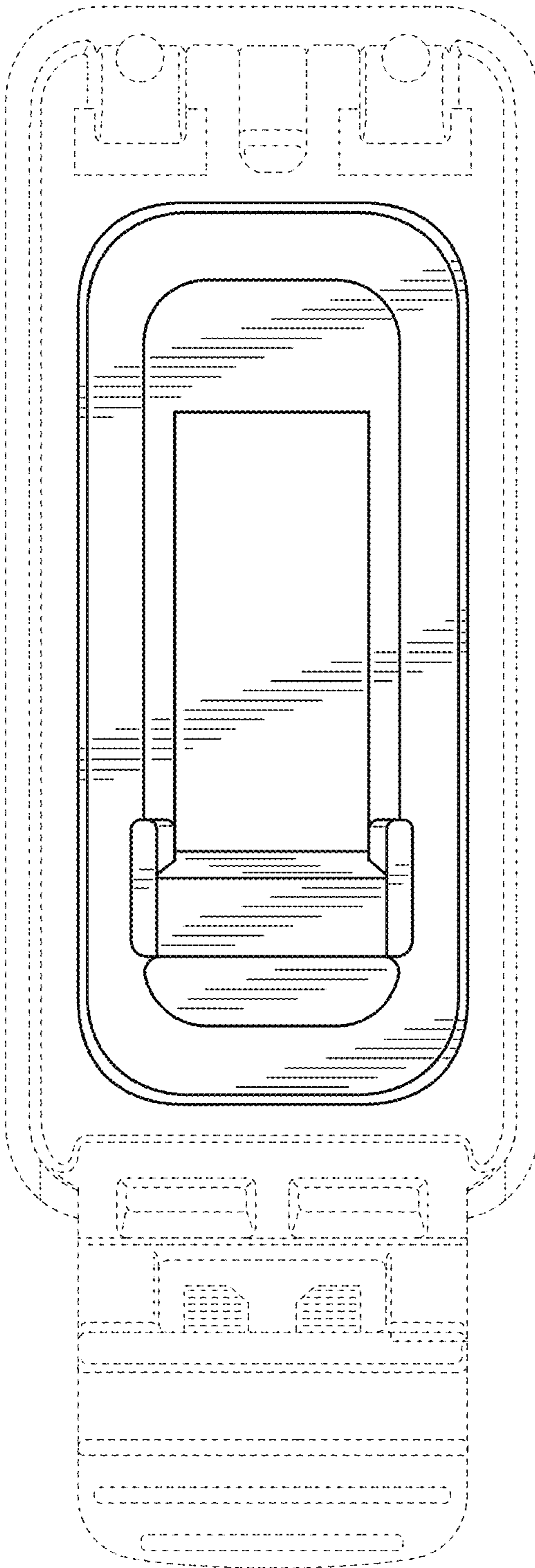
**FIG. 3**



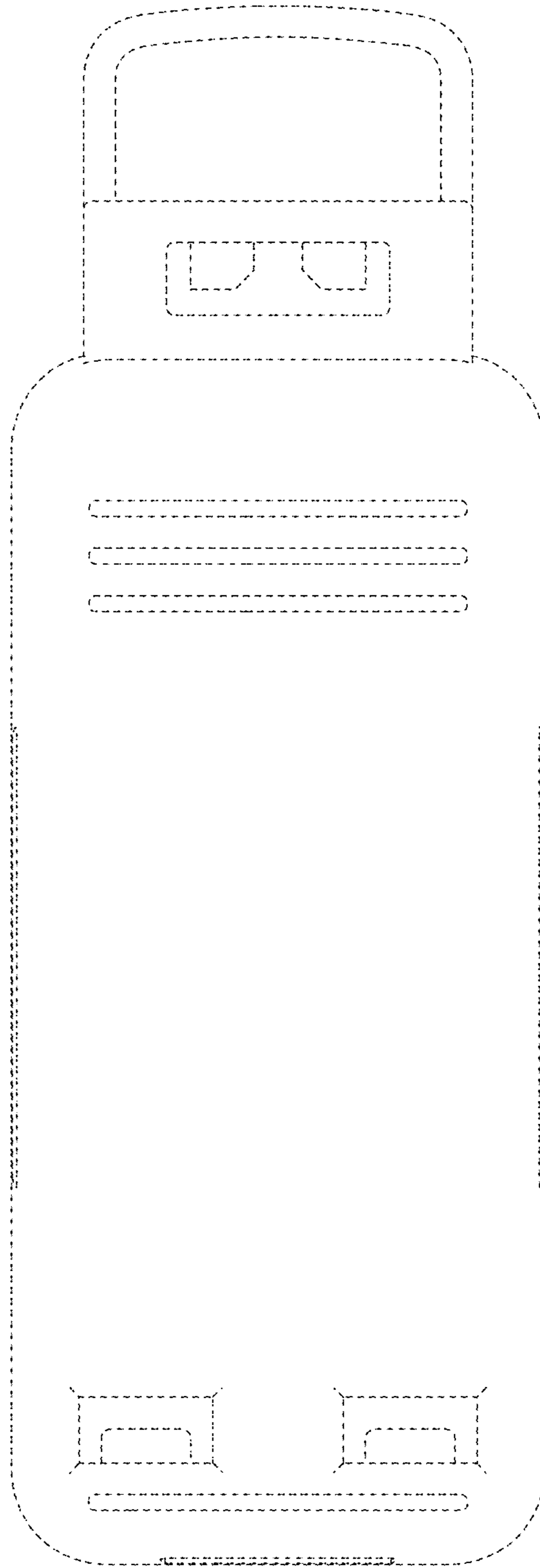
**FIG. 4**



**FIG. 5**

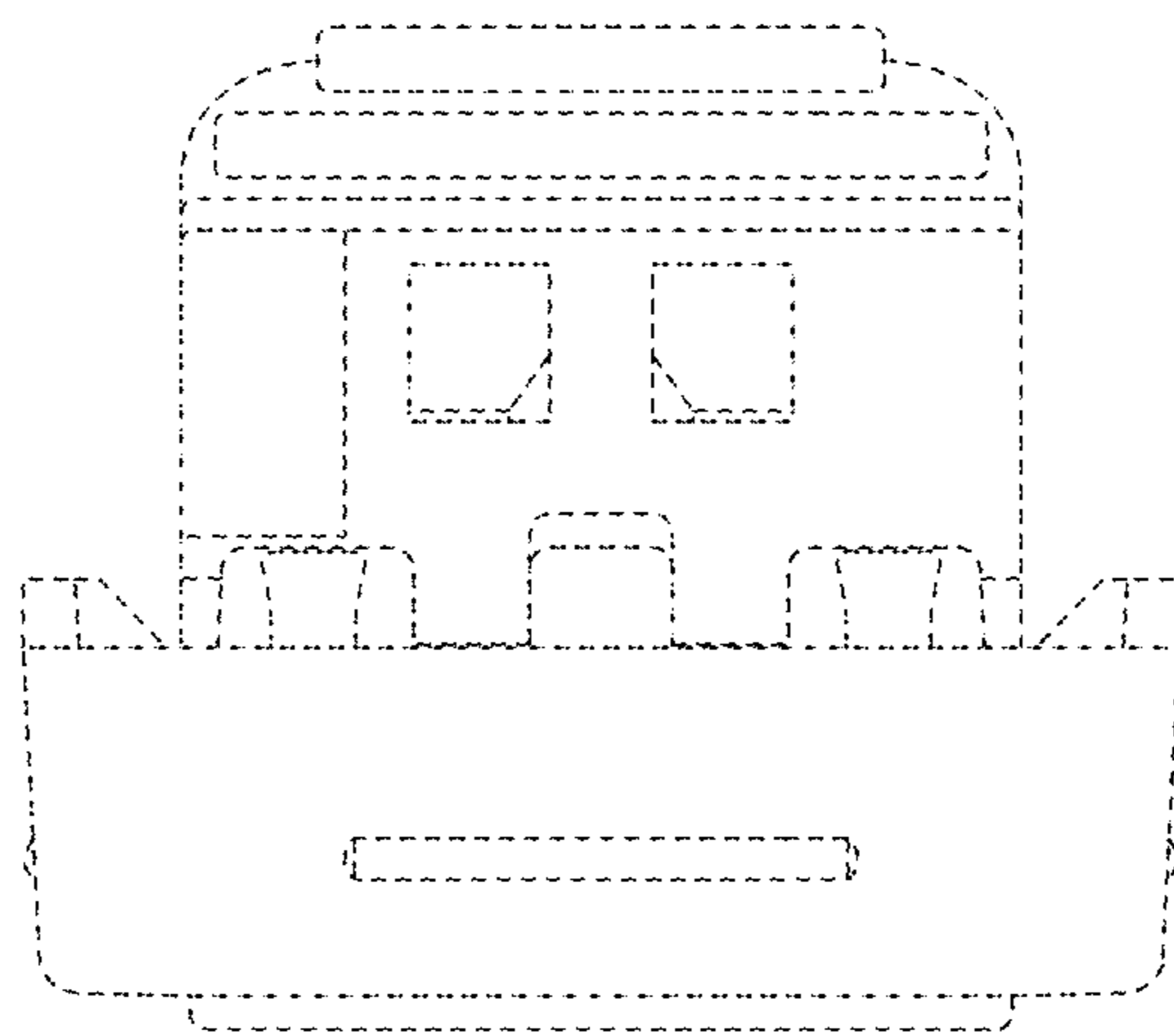


**FIG. 6**





**FIG. 7**



***FIG. 8***

