



US00D769961S

(12) **United States Design Patent**
Kikuyama

(10) **Patent No.:** **US D769,961 S**
(45) **Date of Patent:** **** Oct. 25, 2016**

(54) **SPRAY PAINTER EYEWEAR**

(71) Applicant: **Kendall Masao Kikuyama**, Honolulu, HI (US)

(72) Inventor: **Kendall Masao Kikuyama**, Honolulu, HI (US)

(**) Term: **14 Years**

(21) Appl. No.: **29/474,135**

(22) Filed: **Jun. 10, 2014**

Related U.S. Application Data

(63) Continuation of application No. 13/199,315, filed on Aug. 24, 2011, now Pat. No. 8,899,743, and a continuation-in-part of application No. 29/463,574, filed on Jan. 8, 2014, now Pat. No. Des. 722,101.

(51) **LOC (10) Cl.** **16-06**

(52) **U.S. Cl.**
USPC **D16/300**; D16/311

(58) **Field of Classification Search**
USPC D16/101, 300-342, 900; D29/109-110; 351/41, 44, 51-52, 62, 158, 92, 351/103-123, 140-153, 63, 59, 45-48; 2/426-432, 447-449, 441, 434-437, 2/440, 442, 13, 15; D21/483, 659-661; D14/372; D8/356
CPC G02C 2200/08; G02C 1/06; G02C 5/14; G02C 5/16; G02C 11/02; G02C 11/04; A61M 2021/004; A63B 33/002
See application file for complete search history.

(56) **References Cited**

U.S. PATENT DOCUMENTS

1,954,184 A * 4/1934 Schlumbohm G02C 7/16
2/433
4,288,878 A * 9/1981 Helmbreck A61F 9/02
2/427
4,965,887 A * 10/1990 Paoluccio A61F 9/02
2/13
D694,308 S * 11/2013 Kikuyama D16/301
8,721,071 B2 * 5/2014 Kikuyama G02C 11/08
2/435

* cited by examiner

Primary Examiner — Raphael Barkai

(74) *Attorney, Agent, or Firm* — Martin E. Hsia; Keri Ann K. S. Krzykowski

(57) **CLAIM**

The ornamental design for spray painter eyewear, as shown and described.

DESCRIPTION

FIG. 1 is a perspective view of a presently preferred embodiment of the spray painter eyewear of my new design from the front left thereof;

FIG. 2 is an elevational view thereof from the front;

FIG. 3 is an elevational view thereof from the rear;

FIG. 4 is a bottom plan view thereof;

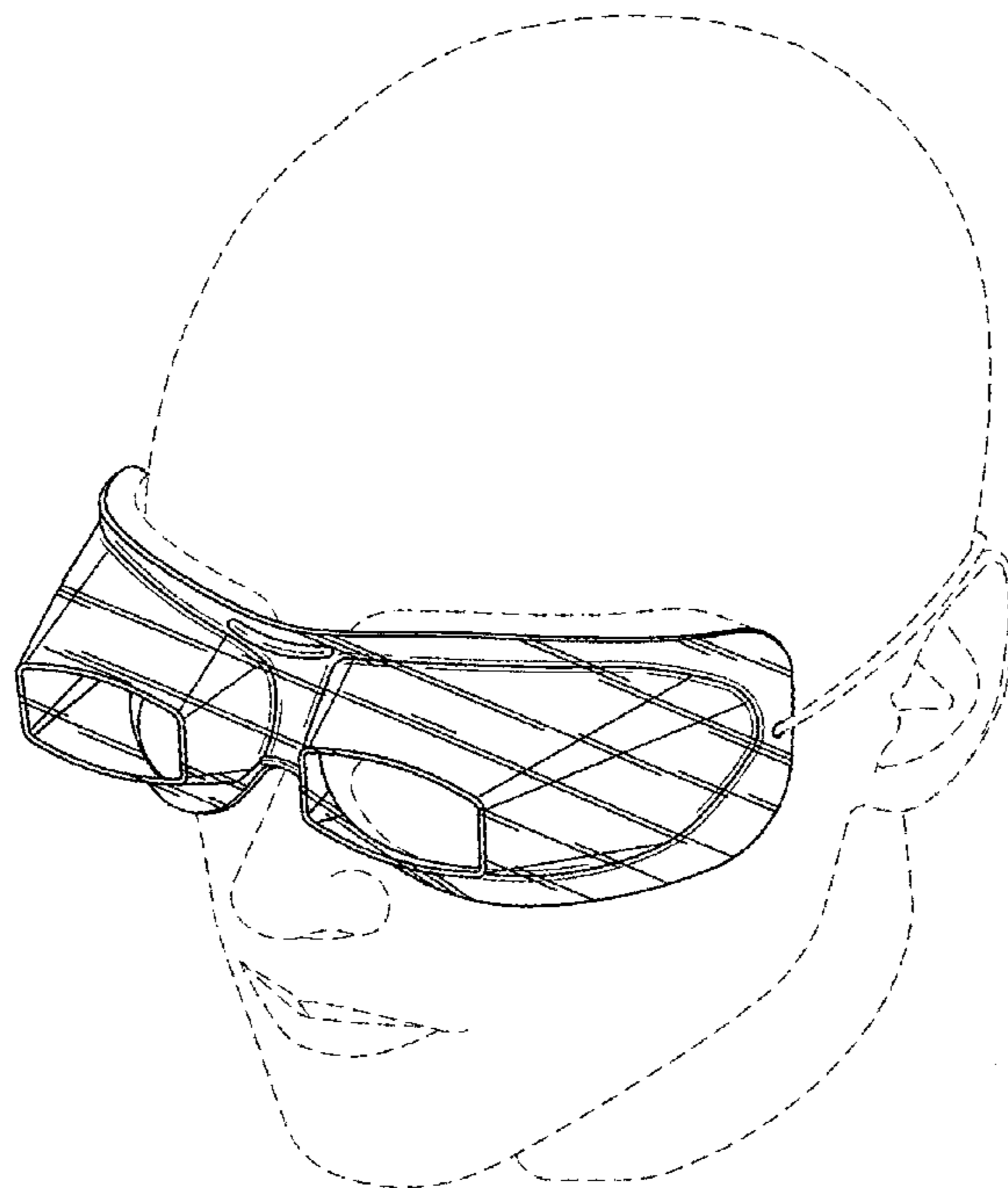
FIG. 5 is a top plan view thereof;

FIG. 6 is an elevational view thereof from the left; and,

FIG. 7 is an elevational view thereof from the right.

The broken lines in FIGS. 1-7 show unclaimed subject matter, and form no part of the claimed design.

1 Claim, 4 Drawing Sheets



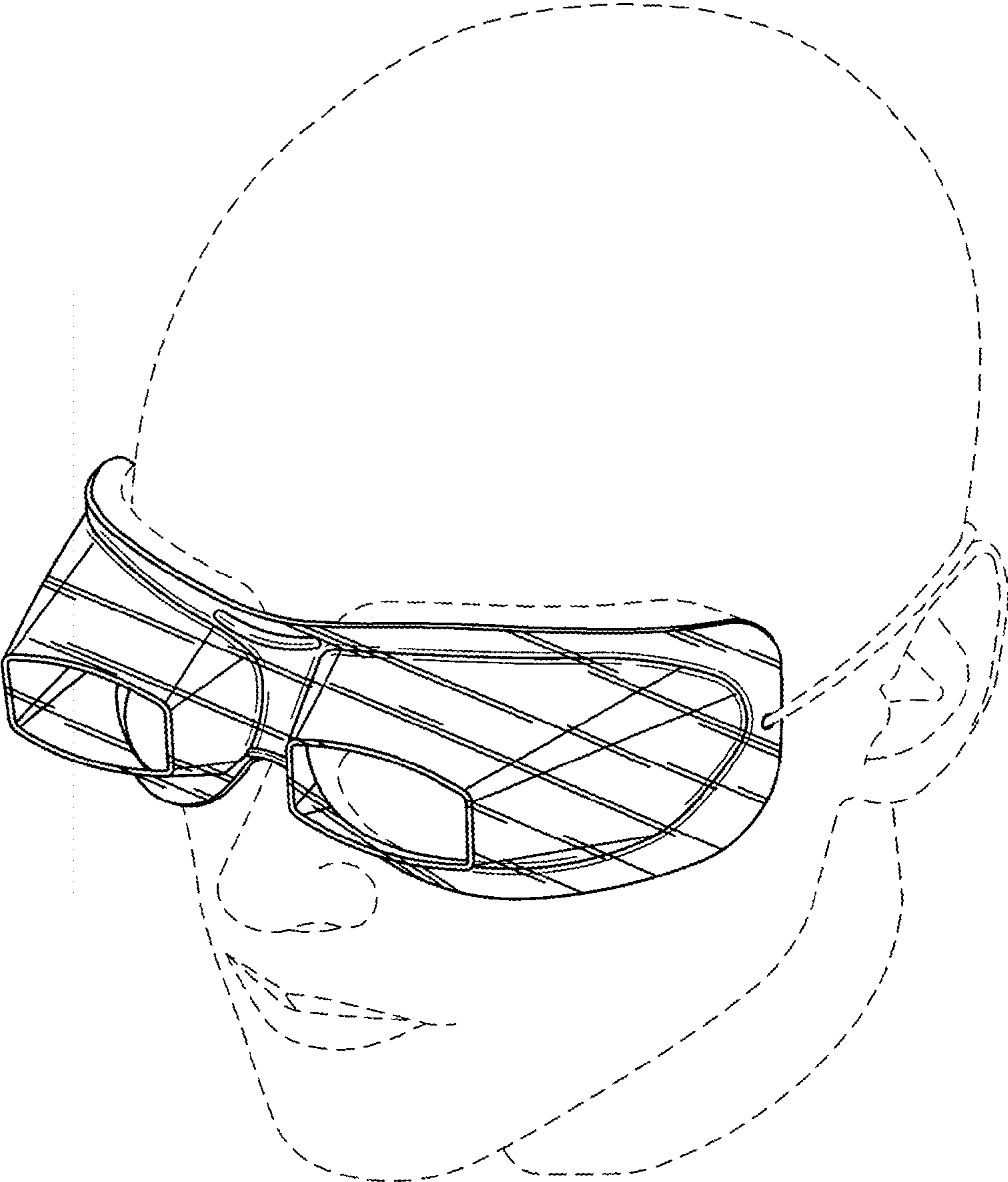


FIG. 1

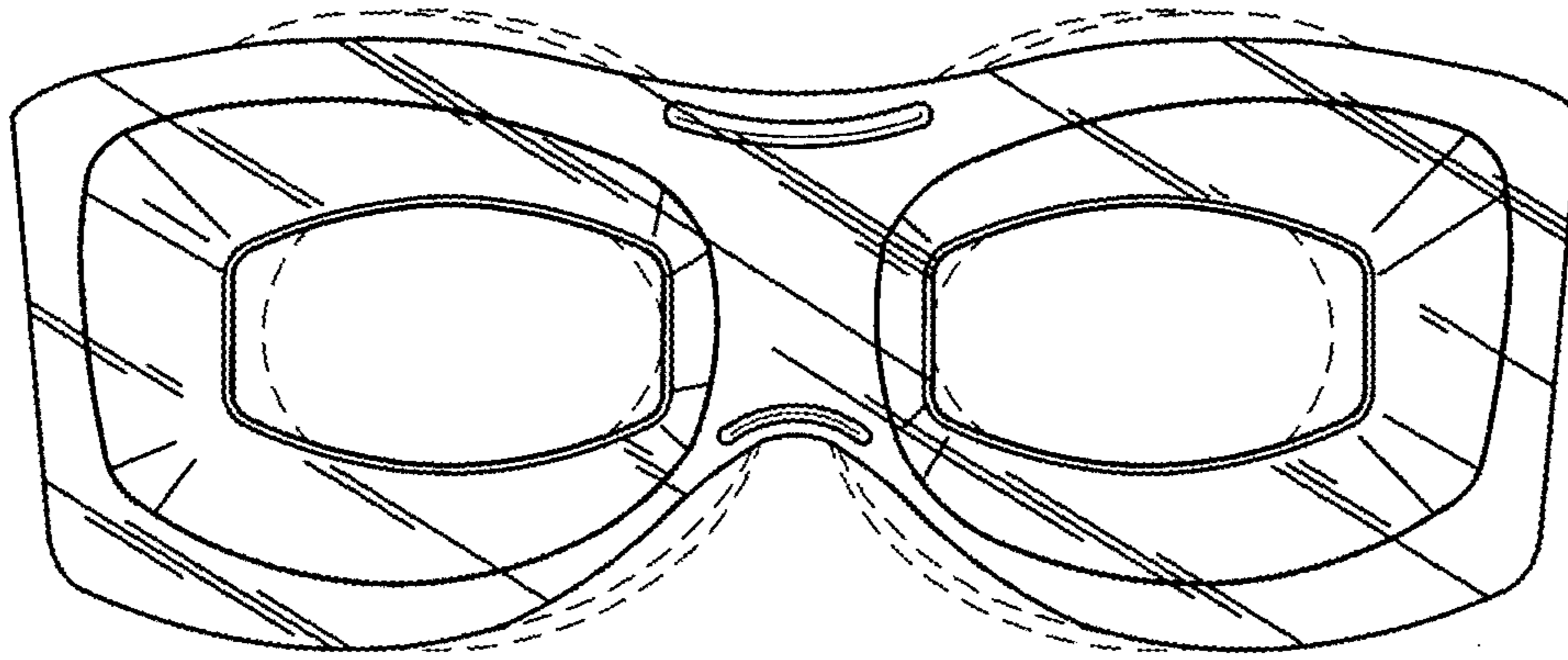


FIG. 2

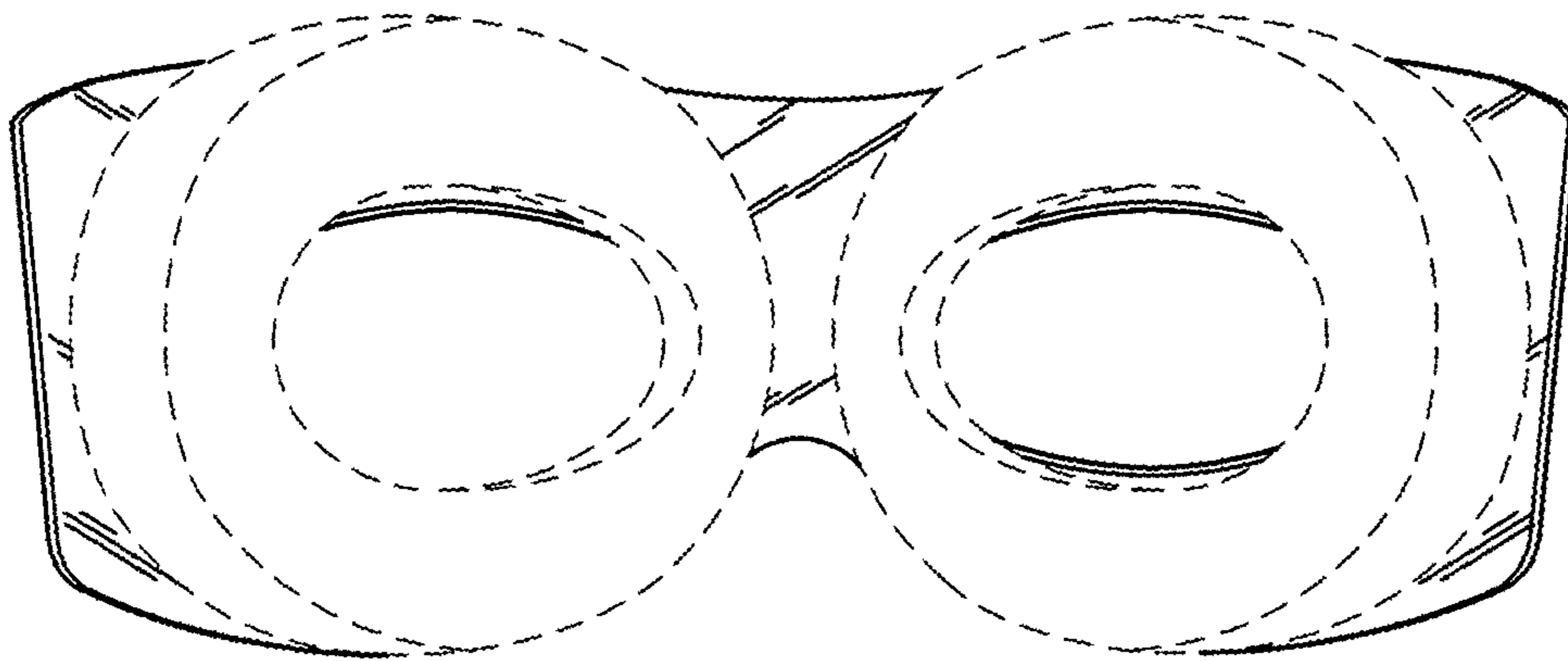


FIG. 3

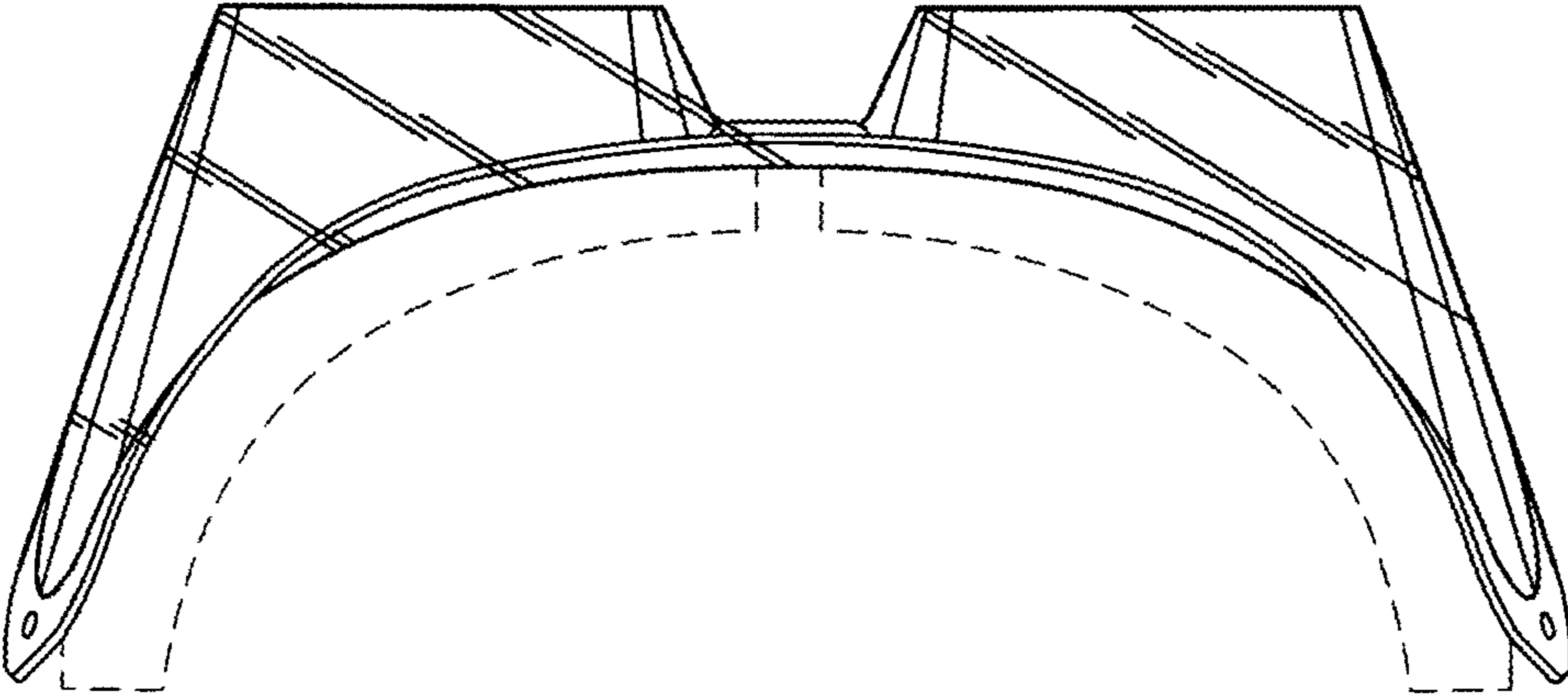


FIG. 4

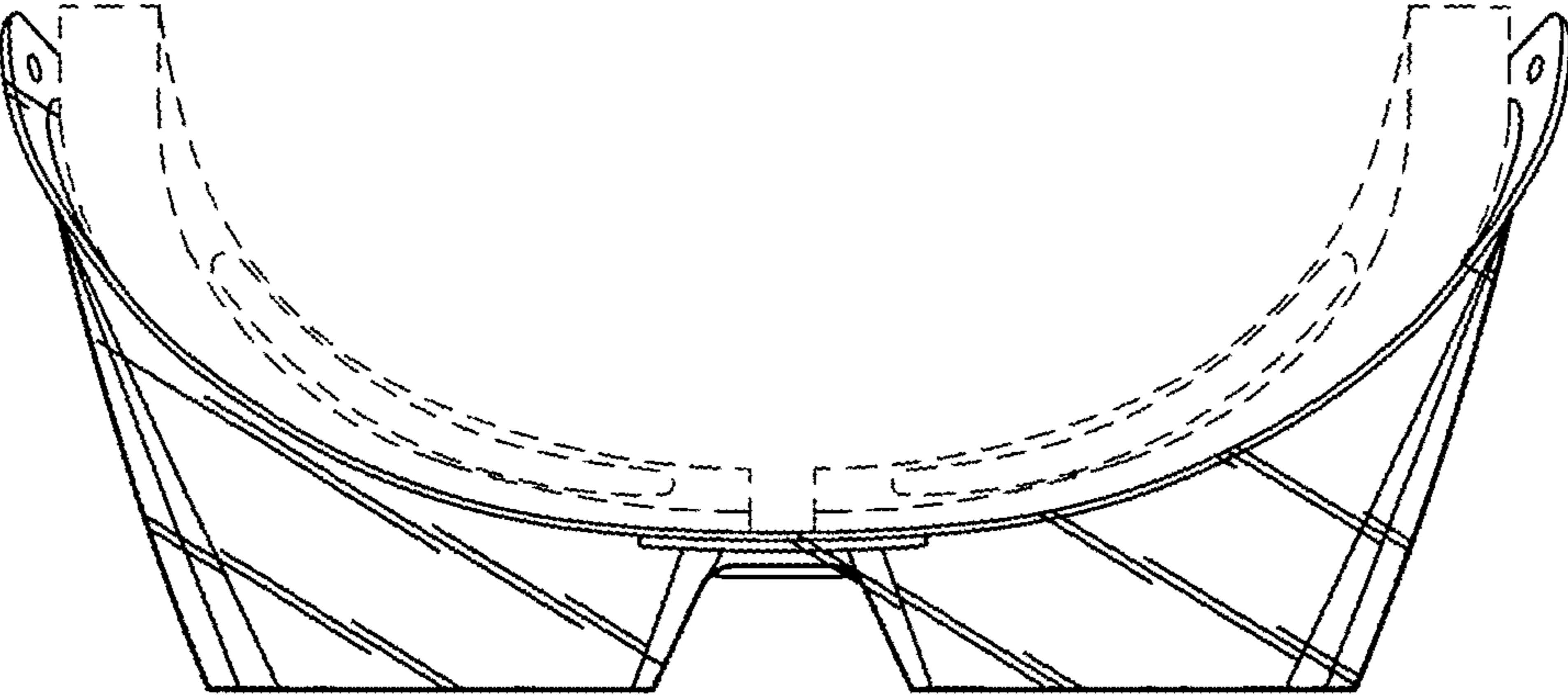


FIG. 5

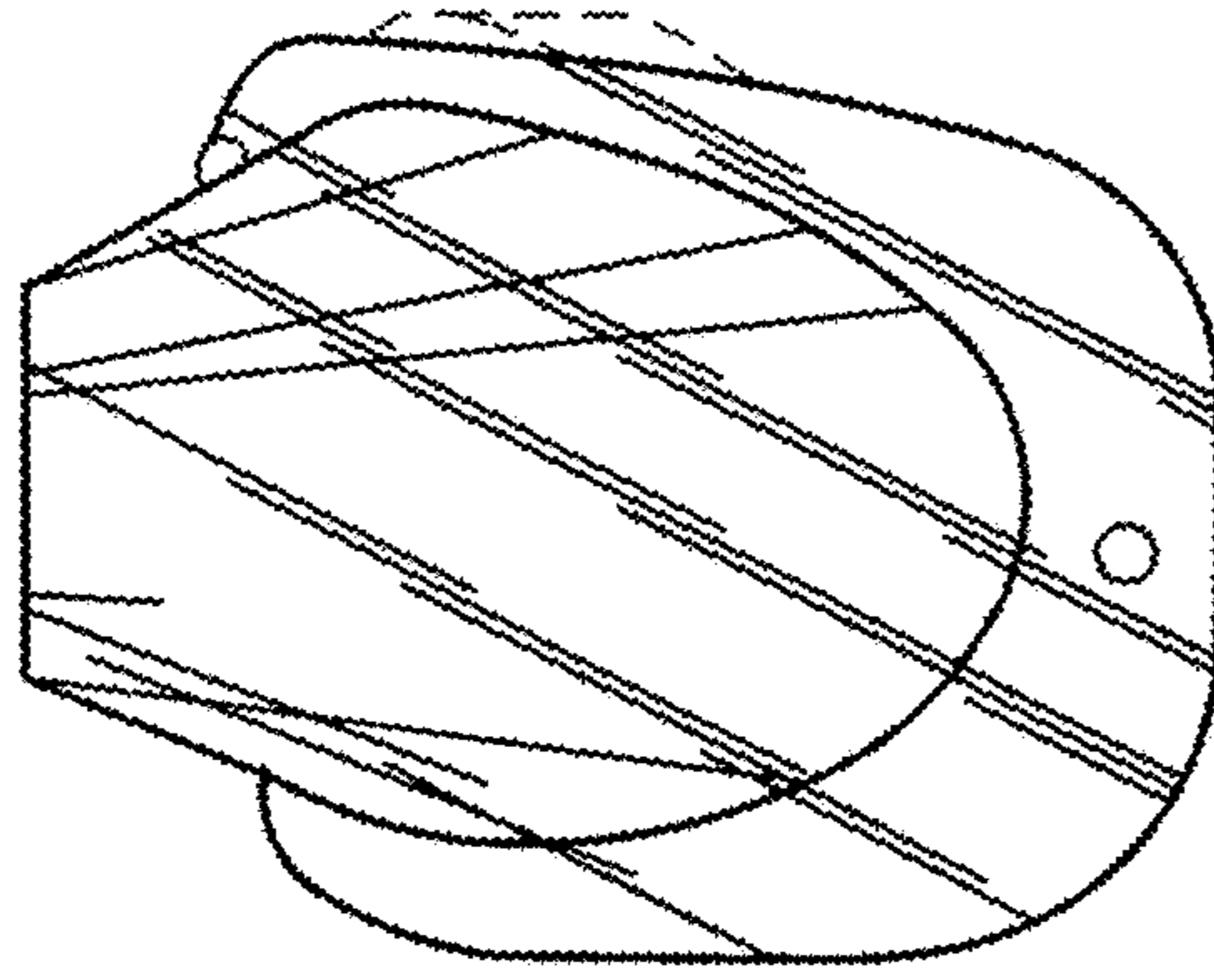


FIG. 6

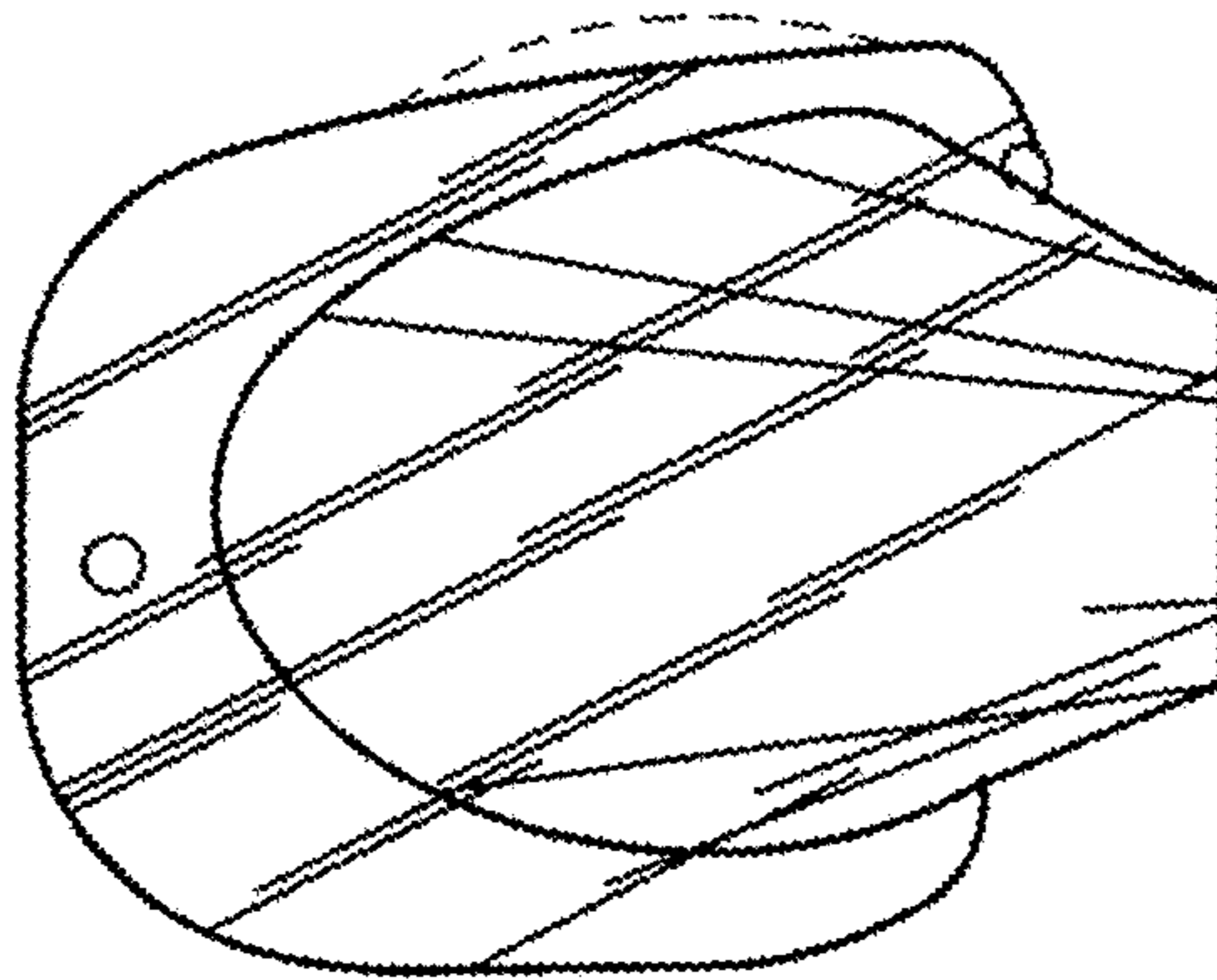


FIG. 7