



US00D769960S

(12) **United States Design Patent** (10) **Patent No.:** **US D769,960 S**
Lee et al. (45) **Date of Patent:** **** Oct. 25, 2016**

(54) **SMART PHONE HOLDER OF EXTERIOR
ADD-ON CAMERA**

(71) Applicant: **ALTEK CORPORATION**, Hsinchu
(TW)

(72) Inventors: **Kuan-Yao Lee**, Taipei (TW);
Chao-Chang Mai, Taipei (TW);
Tsu-Hwa Shaw, Taipei (TW)

(73) Assignee: **ALTEK CORPORATION**, Taiwan
(TW)

(**) Term: **14 Years**

(21) Appl. No.: **29/492,323**

(22) Filed: **May 30, 2014**

(30) **Foreign Application Priority Data**

May 9, 2014 (TW) 103302775

(51) **LOC (10) Cl.** **16-05**

(52) **U.S. Cl.**
USPC **D16/242**

(58) **Field of Classification Search**
USPC D16/134, 136, 208, 213–219, 235, 237,
D16/239–242, 245; D14/203.4, 217, 218,
D14/250–253, 345, 440, 449
CPC G03B 17/02–17/04; G03B 17/14;
G03B 17/56; G03B 17/561–17/568; G03B
21/20–21/2066; G03B 15/041–15/0436;
G02B 7/02–7/04; G02B 7/14; H04N
5/2251–5/2554

See application file for complete search history.

(56) **References Cited**

U.S. PATENT DOCUMENTS

D479,228 S * 9/2003 Sakaguchi D14/253
D649,573 S * 11/2011 Al D16/202
D667,003 S * 9/2012 Richter D14/253
D671,110 S * 11/2012 Choi D14/253

D676,075 S * 2/2013 Ku D14/167
D684,569 S * 6/2013 Willenborg D14/253
D684,980 S * 6/2013 Chun D14/447
D708,603 S * 7/2014 Kim D14/253
D720,790 S * 1/2015 Licitra D12/400
D721,754 S * 1/2015 Chen D16/202
D733,697 S * 7/2015 Palan D14/253
D739,410 S * 9/2015 Chun D14/447
D739,452 S * 9/2015 Adams D16/203
D741,932 S * 10/2015 Huang D16/202
2005/0236536 A1* 10/2005 Fan B60R 11/02
248/176.3

* cited by examiner

Primary Examiner — Vy Koenig

(74) *Attorney, Agent, or Firm* — Bacon & Thomas, PLLC

(57) **CLAIM**

The ornamental design for a smart phone holder of exterior
add-on camera, as shown and described.

DESCRIPTION

FIG. 1 is a perspective view of a smart phone holder of
exterior add-on camera, showing my new design in a con-
dition of operation;

FIG. 2 is a perspective view thereof, in an alternate condition
of operation;

FIG. 3 is a front elevational view of a smart phone holder of
exterior add-on camera without the unclaimed smart phone
and camera;

FIG. 4 is a rear elevational view thereof;

FIG. 5 is a left side elevational view thereof;

FIG. 6 is a right side elevational view thereof;

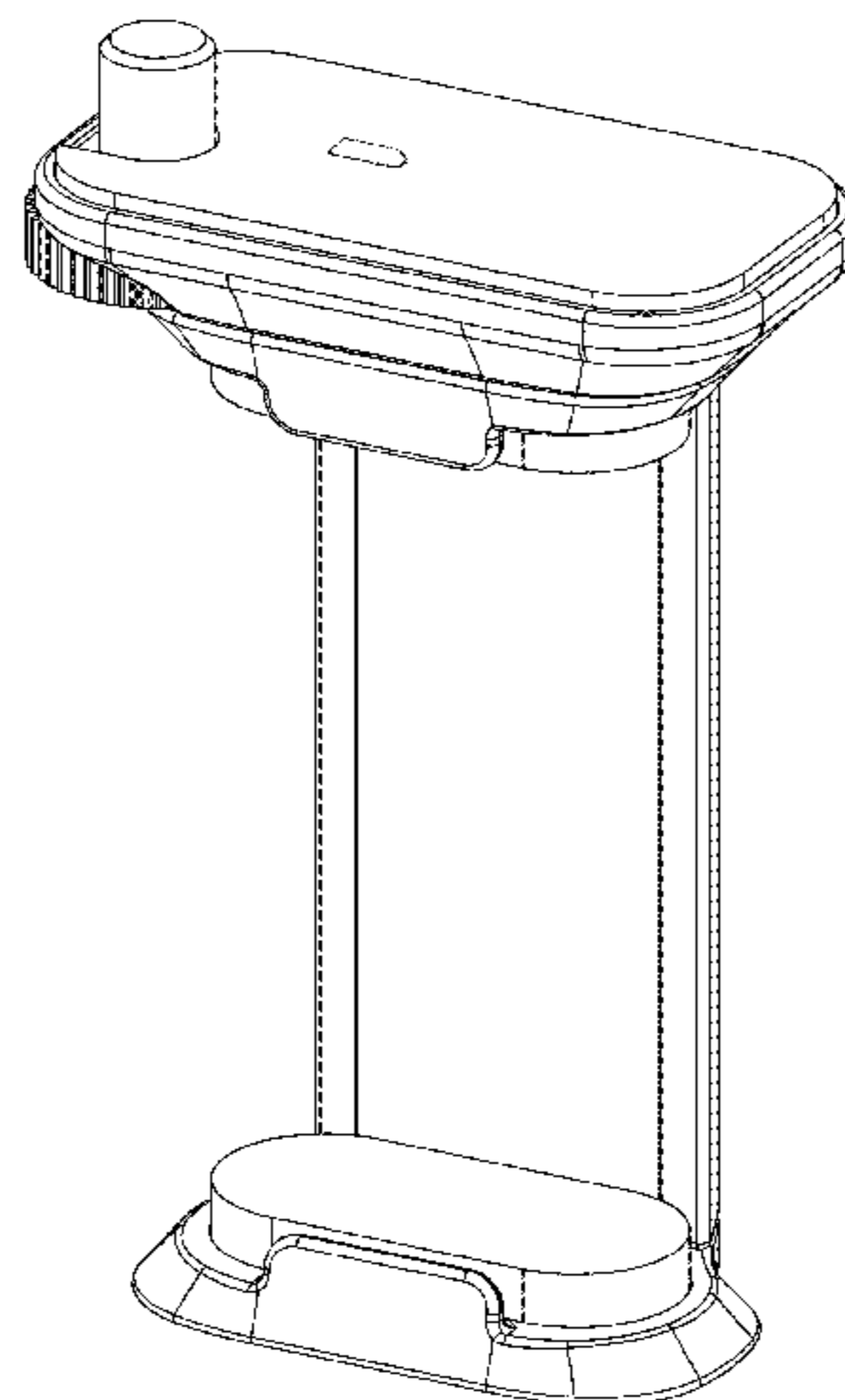
FIG. 7 is a top plan view thereof;

FIG. 8 is a bottom plan view thereof; and,

FIG. 9 is a perspective view thereof.

The broken lines in FIGS. 1 and 2 depict environmental
subject matter, specifically a smart phone and camera that
forms no part of the claimed design. The broken lines in
FIGS. 3–9 depict portions of the smart phone holder that
form no part of the claimed design.

1 Claim, 8 Drawing Sheets



Replacement Sheet

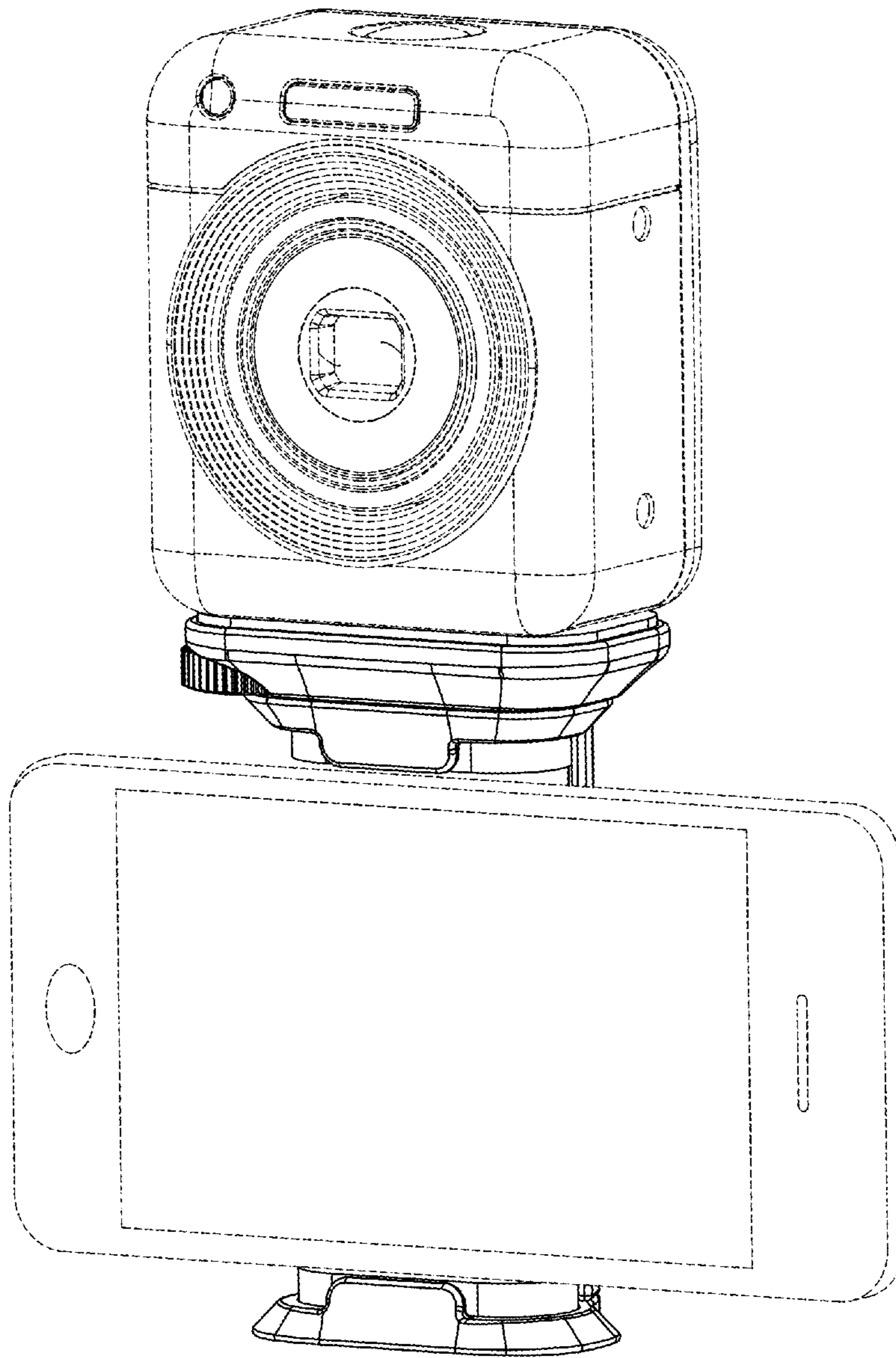


FIG. 1

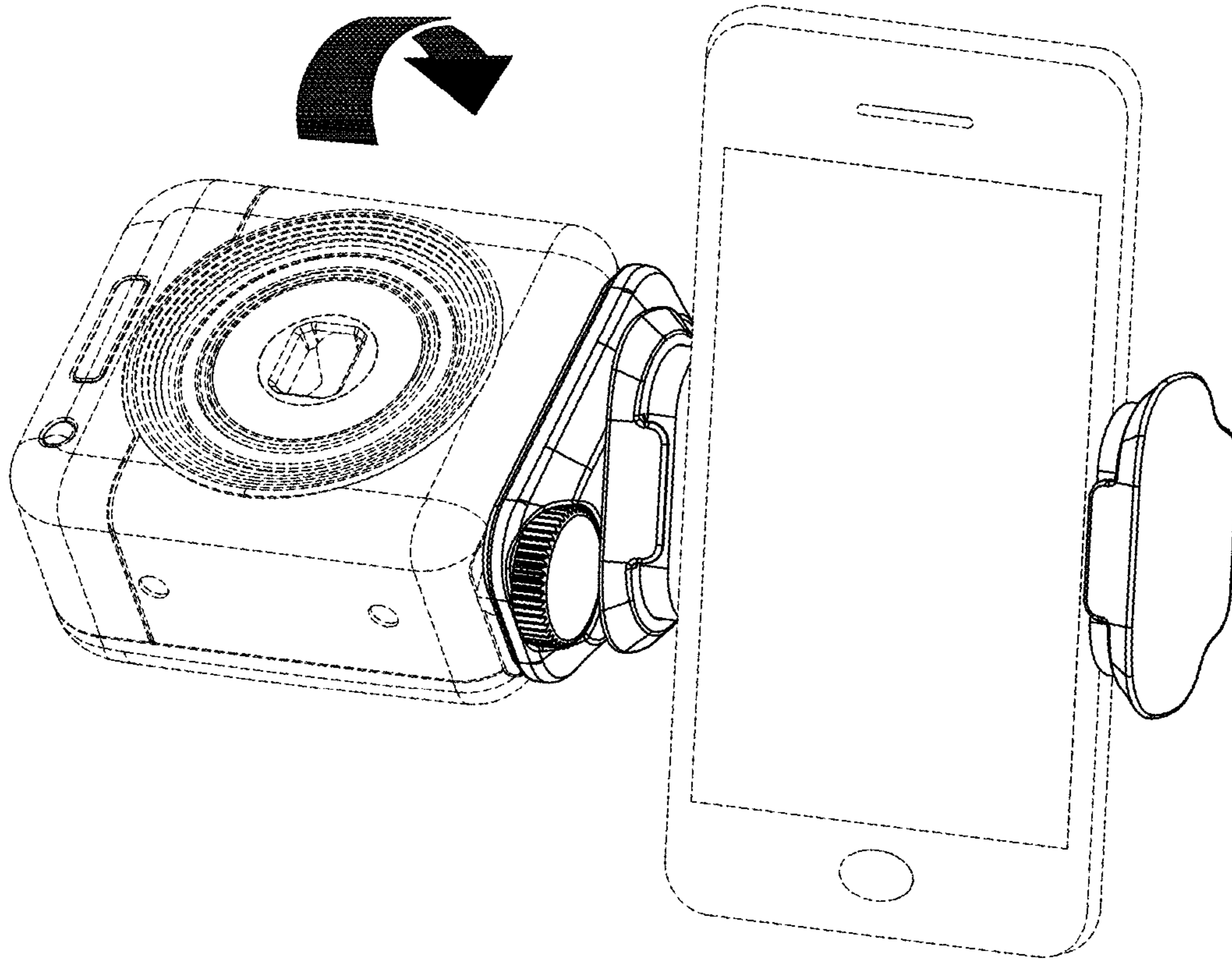


FIG. 2

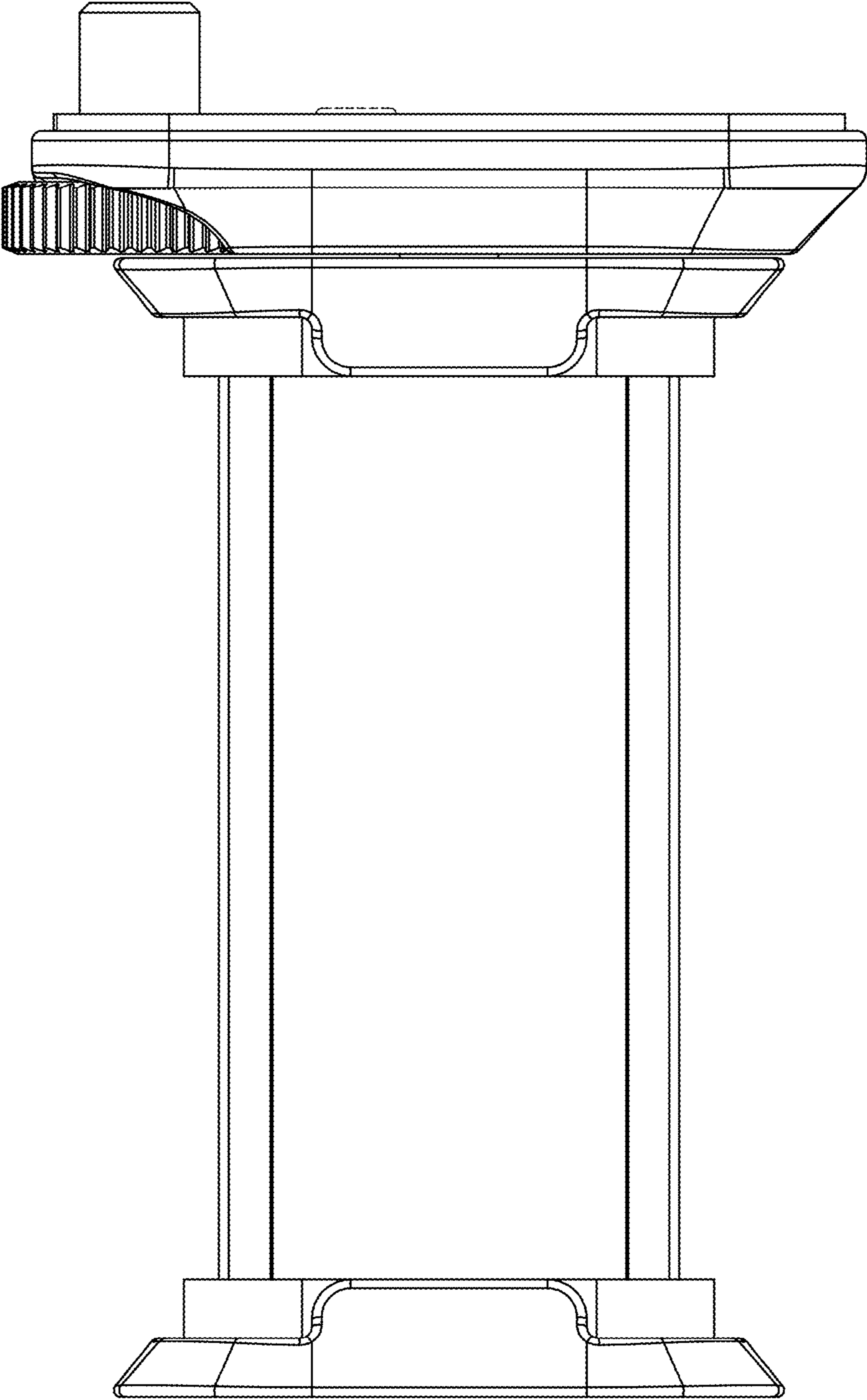


FIG. 3

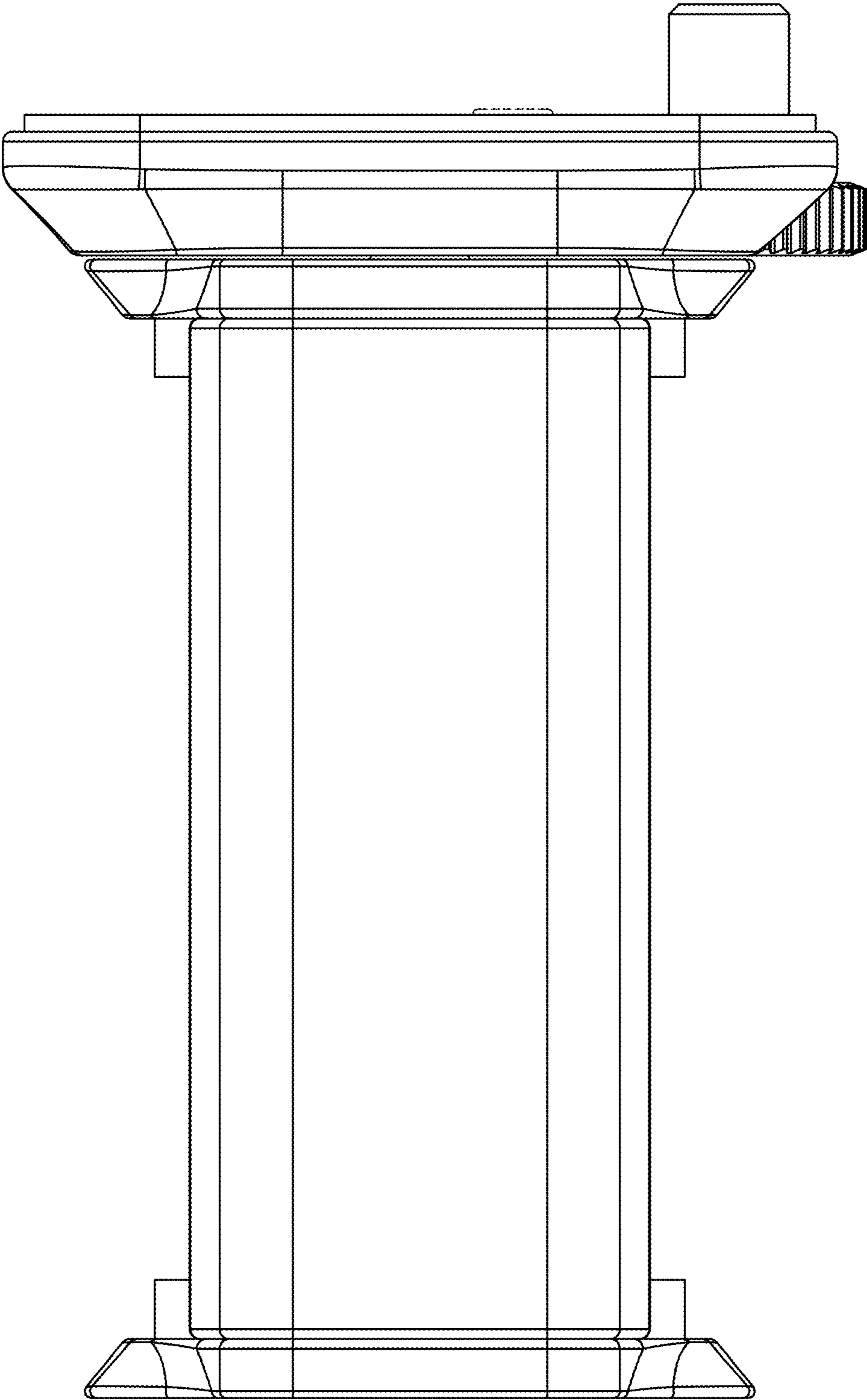


FIG. 4

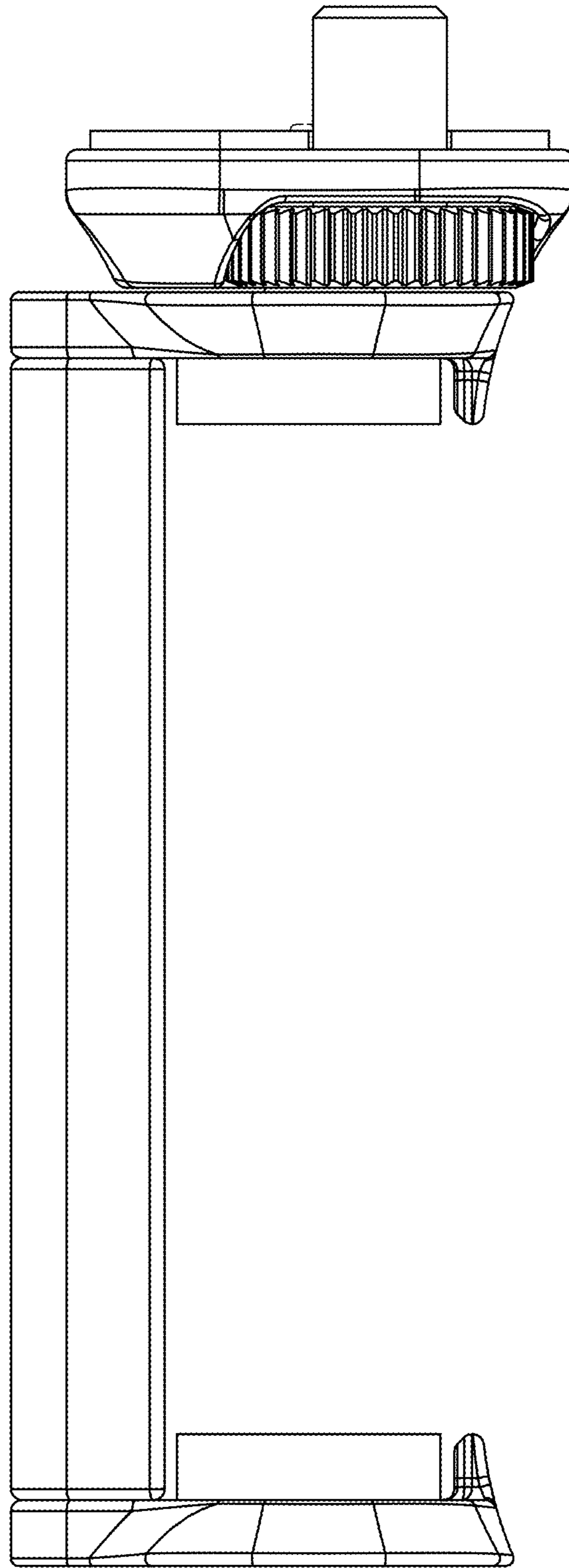


FIG. 5

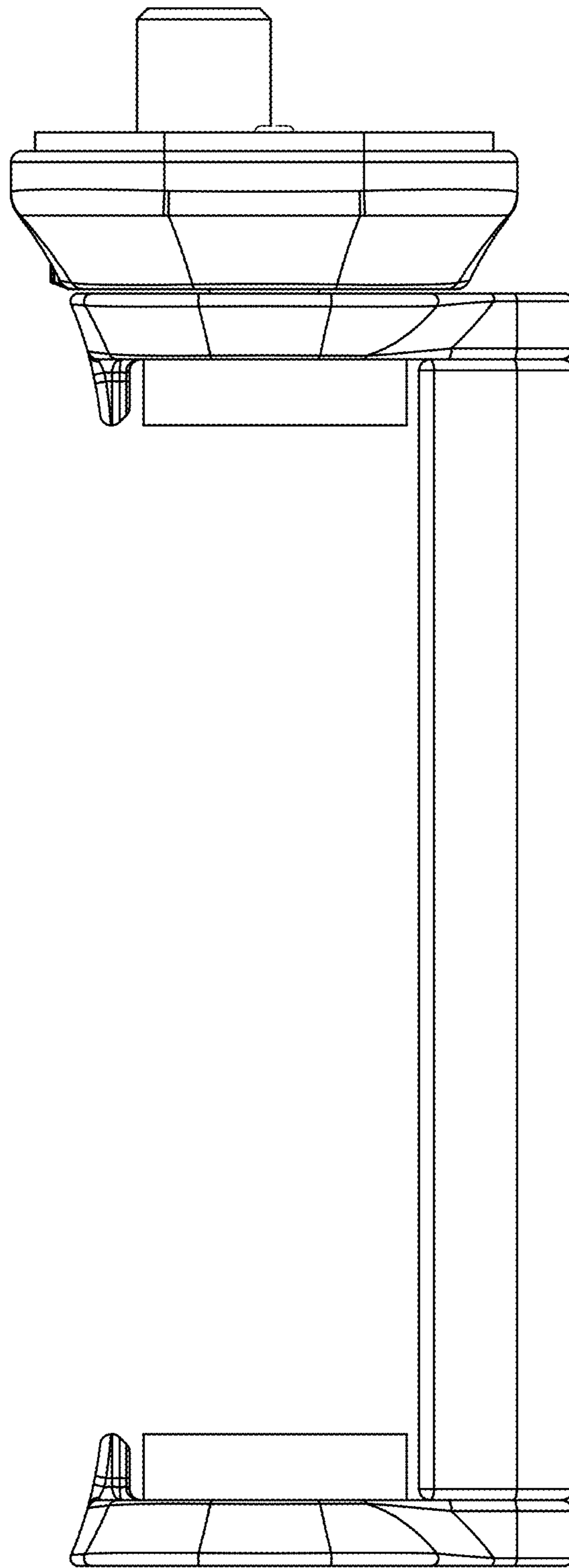


FIG. 6

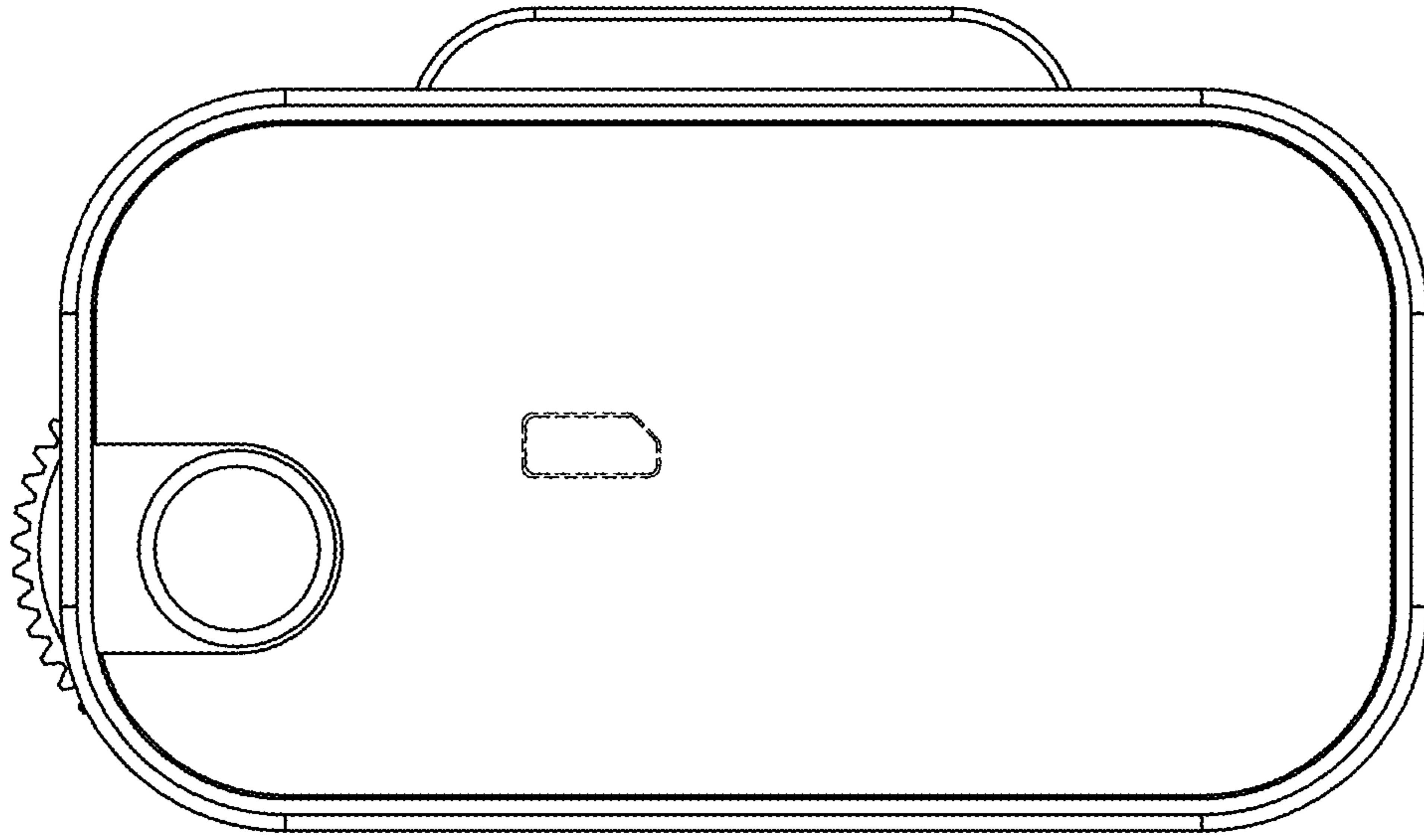


FIG. 7

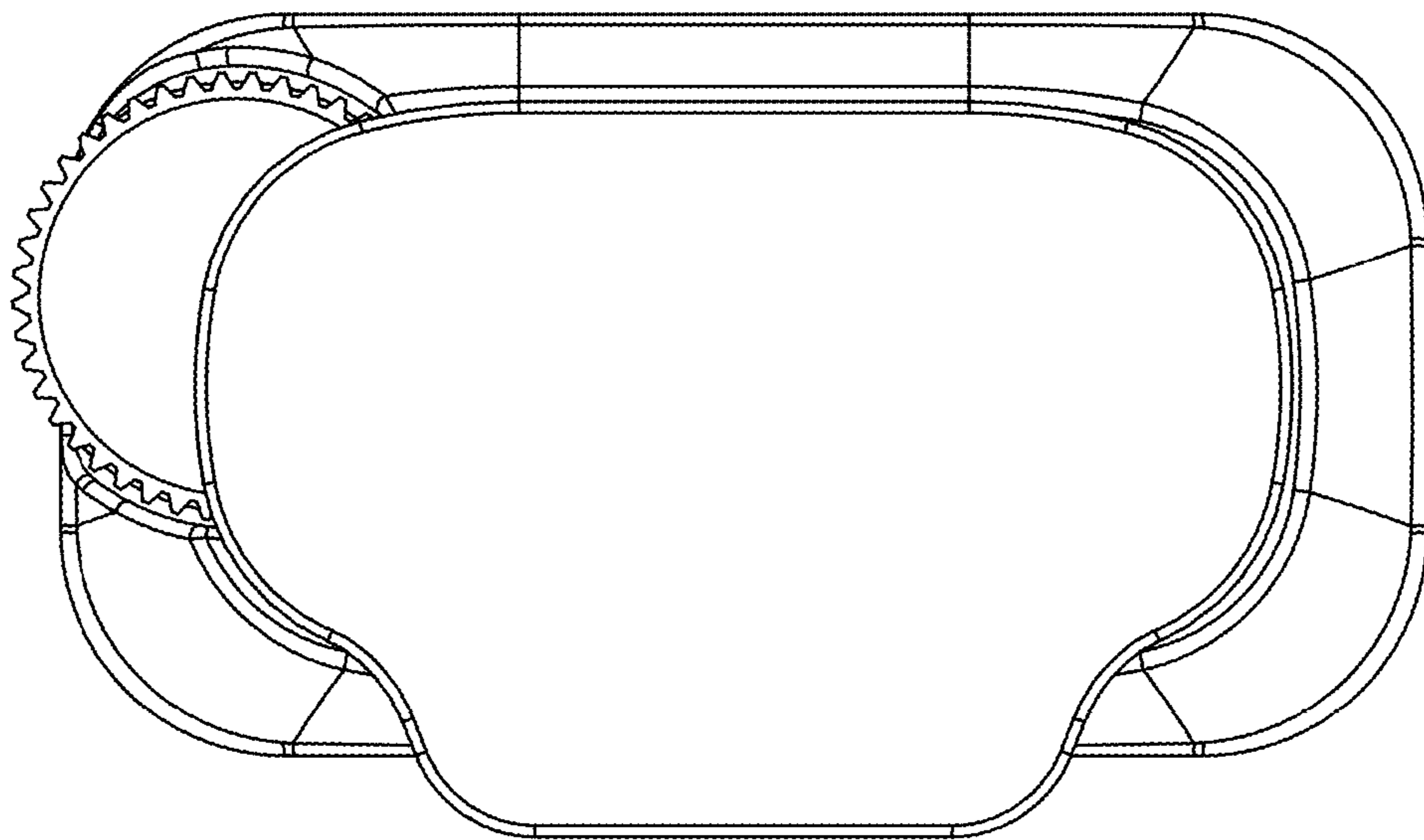


FIG. 8

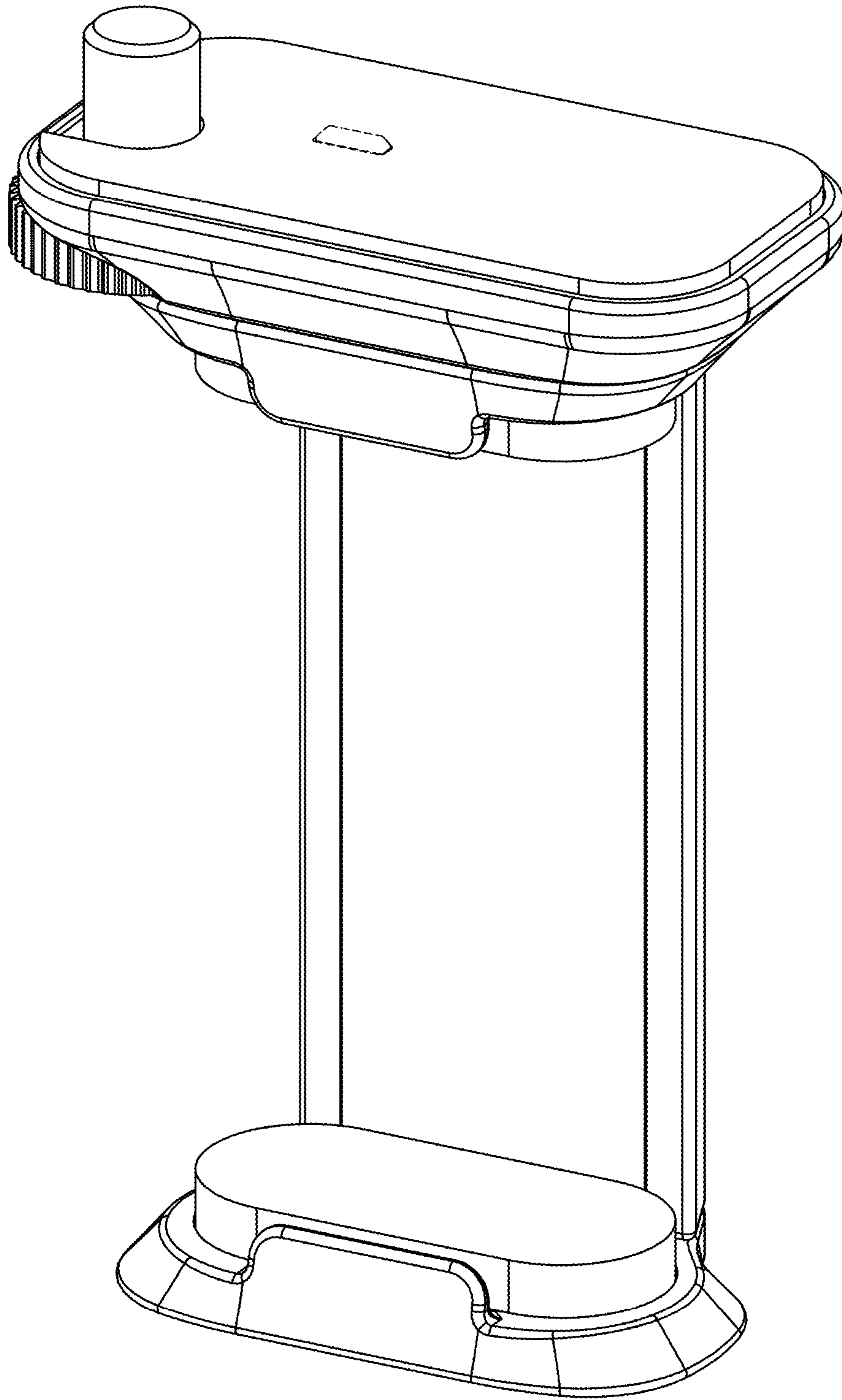


FIG. 9