



US00D769959S

(12) **United States Design Patent**  
**Jia**

(10) **Patent No.:** **US D769,959 S**  
(45) **Date of Patent:** **\*\* Oct. 25, 2016**

(54) **ATTACHABLE ONE PIECE MICROPHONE APPARATUS FOR MOBILE HANDS FREE CAMERA**

D719,140 S \* 12/2014 Sanhui ..... D14/225  
D729,778 S \* 5/2015 Langis ..... D14/227  
D737,804 S 9/2015 Fereday et al.  
D748,610 S \* 2/2016 Smith ..... D14/225  
D754,778 S \* 4/2016 Terashita ..... D16/242

(71) Applicant: **Yingzhi Jia**, Longgang District (CN)

(72) Inventor: **Yingzhi Jia**, Longgang District (CN)

(\*\*) Term: **15 Years**

(21) Appl. No.: **29/558,394**

(22) Filed: **Mar. 17, 2016**

(51) **LOC (10) Cl.** ..... **16-05**

(52) **U.S. Cl.**  
USPC ..... **D16/237**; D14/228

(58) **Field of Classification Search**  
USPC ..... D16/206, 219, 235, 237-245, 250;  
D14/167, 203.1, 203.3, 203.8, 206,  
D14/224-229, 251-253, 511  
CPC ..... G03B 17/56; G03B 17/561-17/568;  
G02B 7/00-7/002; H04N 5/2253-5/2254;  
F16M 11/04-11/12; H04R 2410/00  
See application file for complete search history.

(56) **References Cited**

**U.S. PATENT DOCUMENTS**

D332,098 S \* 12/1992 Riley ..... D14/225  
D338,204 S \* 8/1993 Takao ..... D14/226  
D357,921 S \* 5/1995 Ming-Chin ..... D14/223  
D382,874 S \* 8/1997 Peschke ..... D14/142  
D430,146 S \* 8/2000 Lin ..... D14/223  
D504,126 S \* 4/2005 Saulespurens ..... D14/228  
D519,112 S \* 4/2006 Yang ..... D14/228  
D697,544 S \* 1/2014 Jang ..... D16/240

**OTHER PUBLICATIONS**

Saramonic G-Mic Microphone for GoPro Cameras Hero4, Hero3+, Hero3 (Black) [online] First available Aug. 19, 2015. Retrieved from URL: <<https://www.amazon.com/Saramonic-G-Mic-Microphone-GoPro-Cameras/dp/B0142ASM7Q>>.\*

\* cited by examiner

*Primary Examiner* — Vy Koenig

(74) *Attorney, Agent, or Firm* — Joseph C. Terzo, Esq.;  
IP Global Patents P.C.

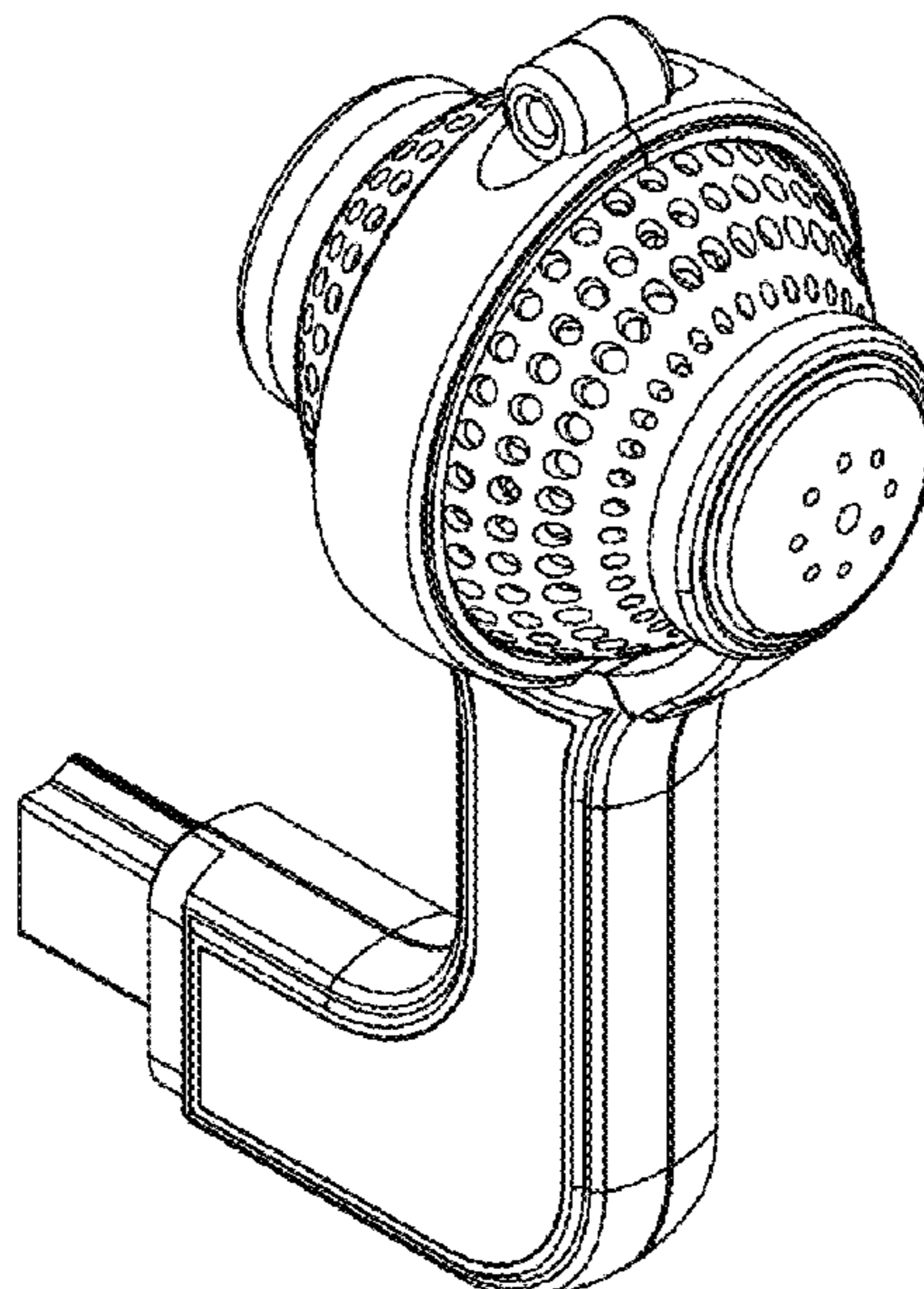
(57) **CLAIM**

The ornamental design for an attachable one piece microphone apparatus for a mobile hands free camera, as shown and described.

**DESCRIPTION**

FIG. 1 is a front elevational view thereof;  
FIG. 2 is a rear elevational view thereof;  
FIG. 3 is a left side view thereof;  
FIG. 4 is a right side view thereof;  
FIG. 5 is a top plan view thereof;  
FIG. 6 is a bottom plan view thereof;  
FIG. 7 is a perspective view thereof; and,  
FIG. 8 is a perspective view thereof.

**1 Claim, 8 Drawing Sheets**



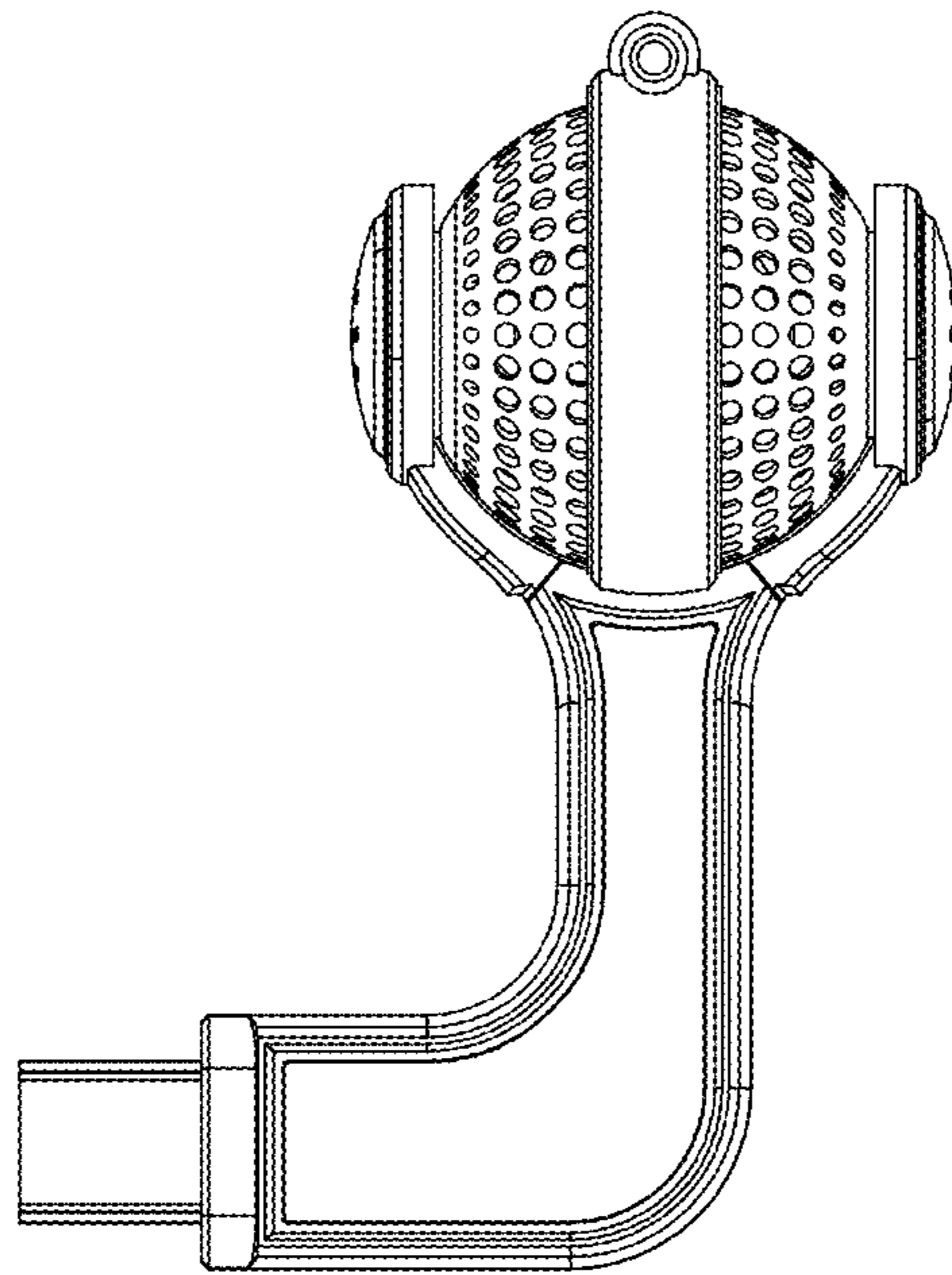


FIG. 1

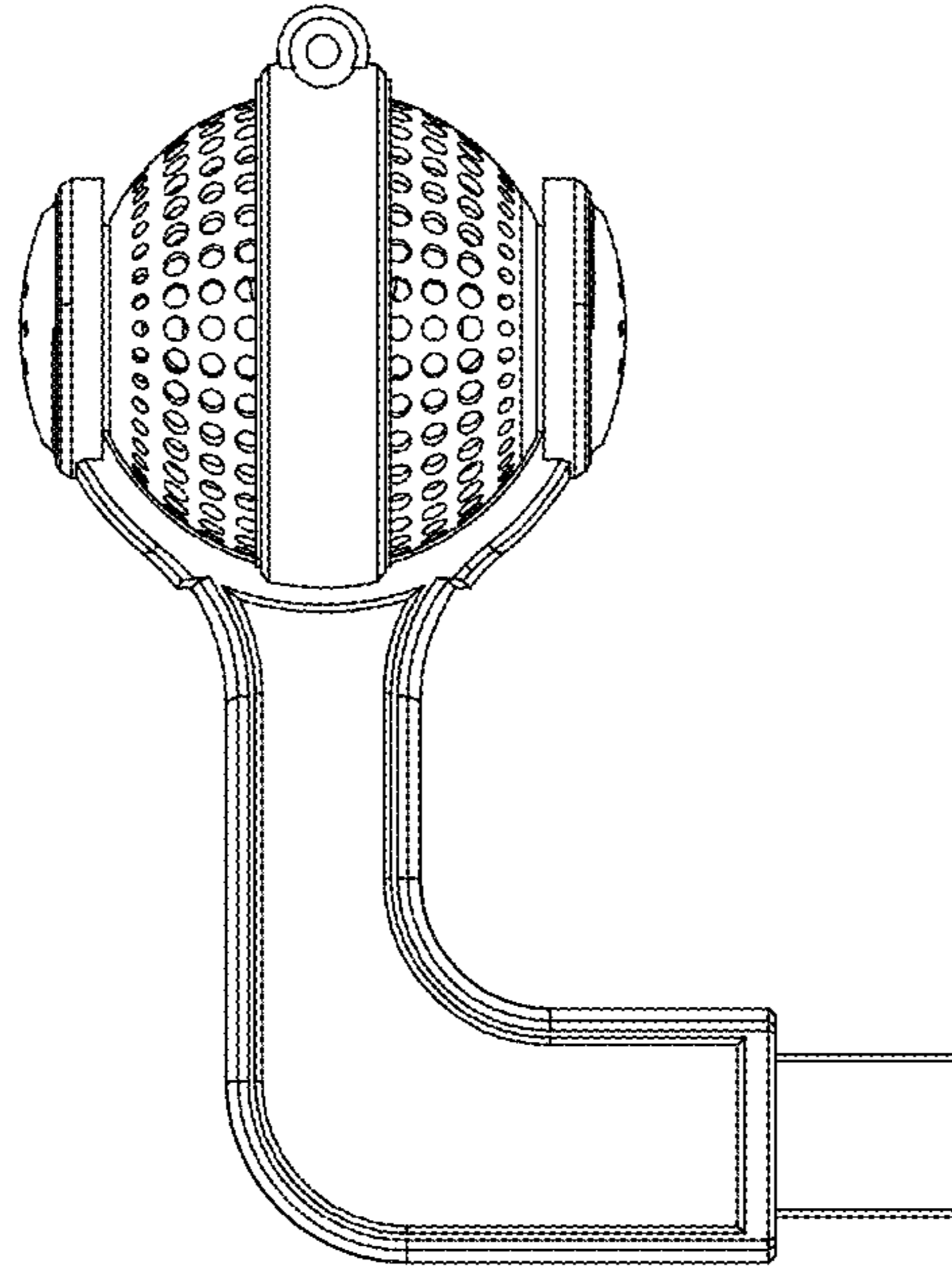


FIG. 2

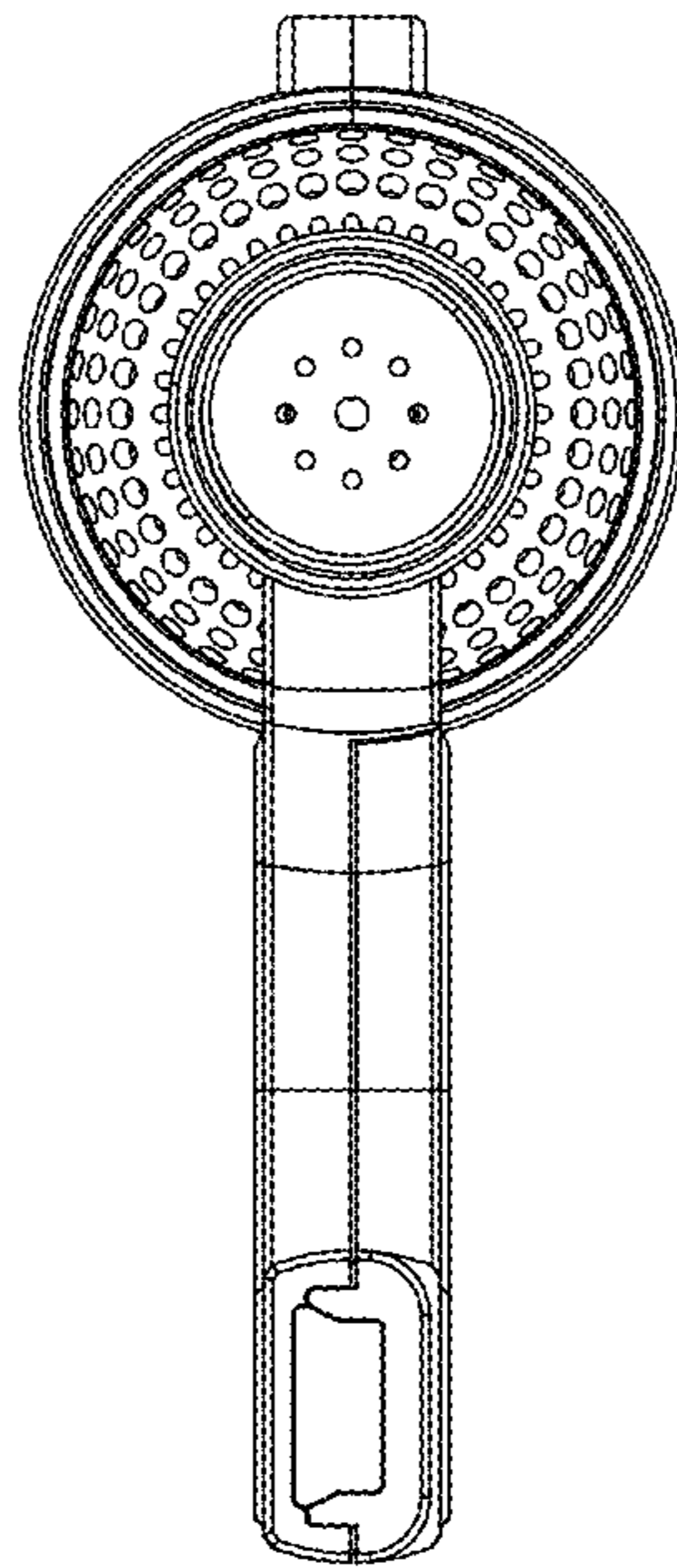


FIG. 3

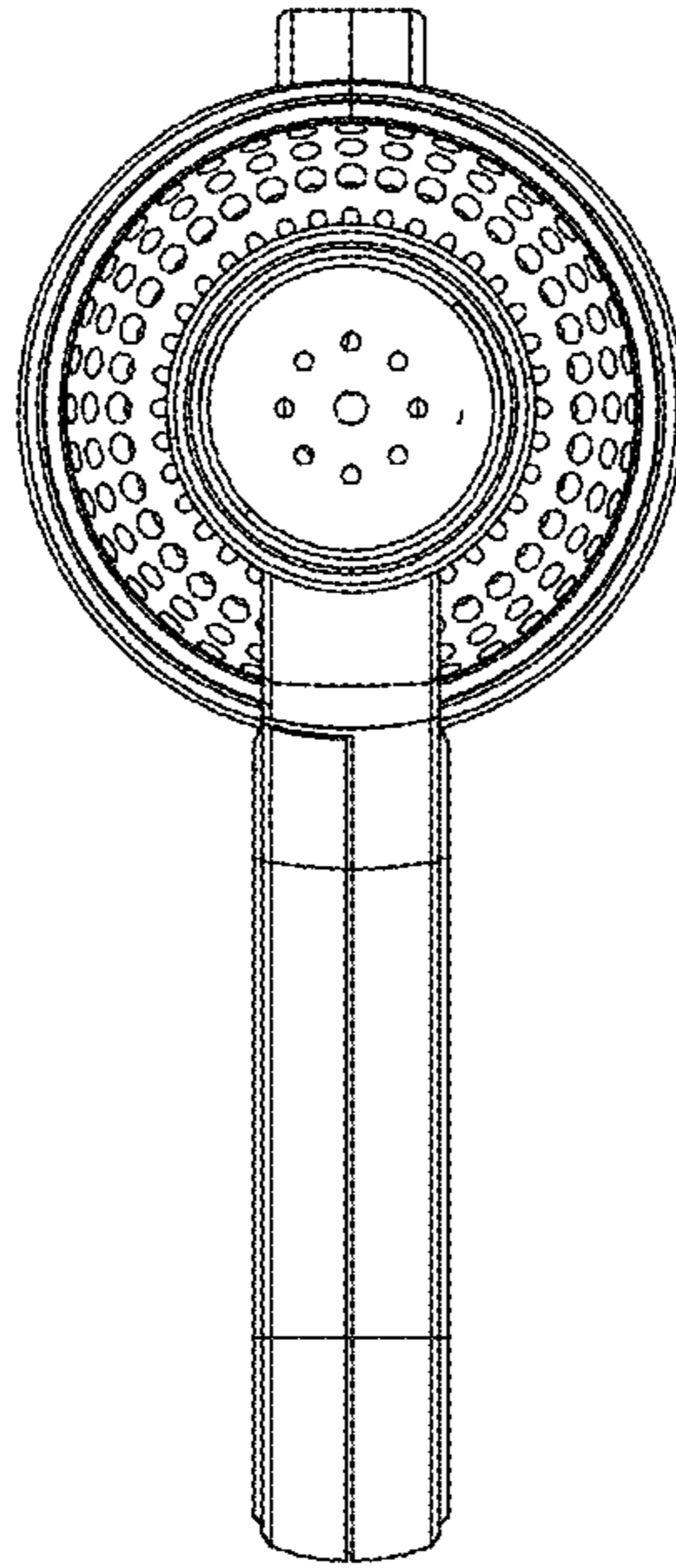


FIG. 4

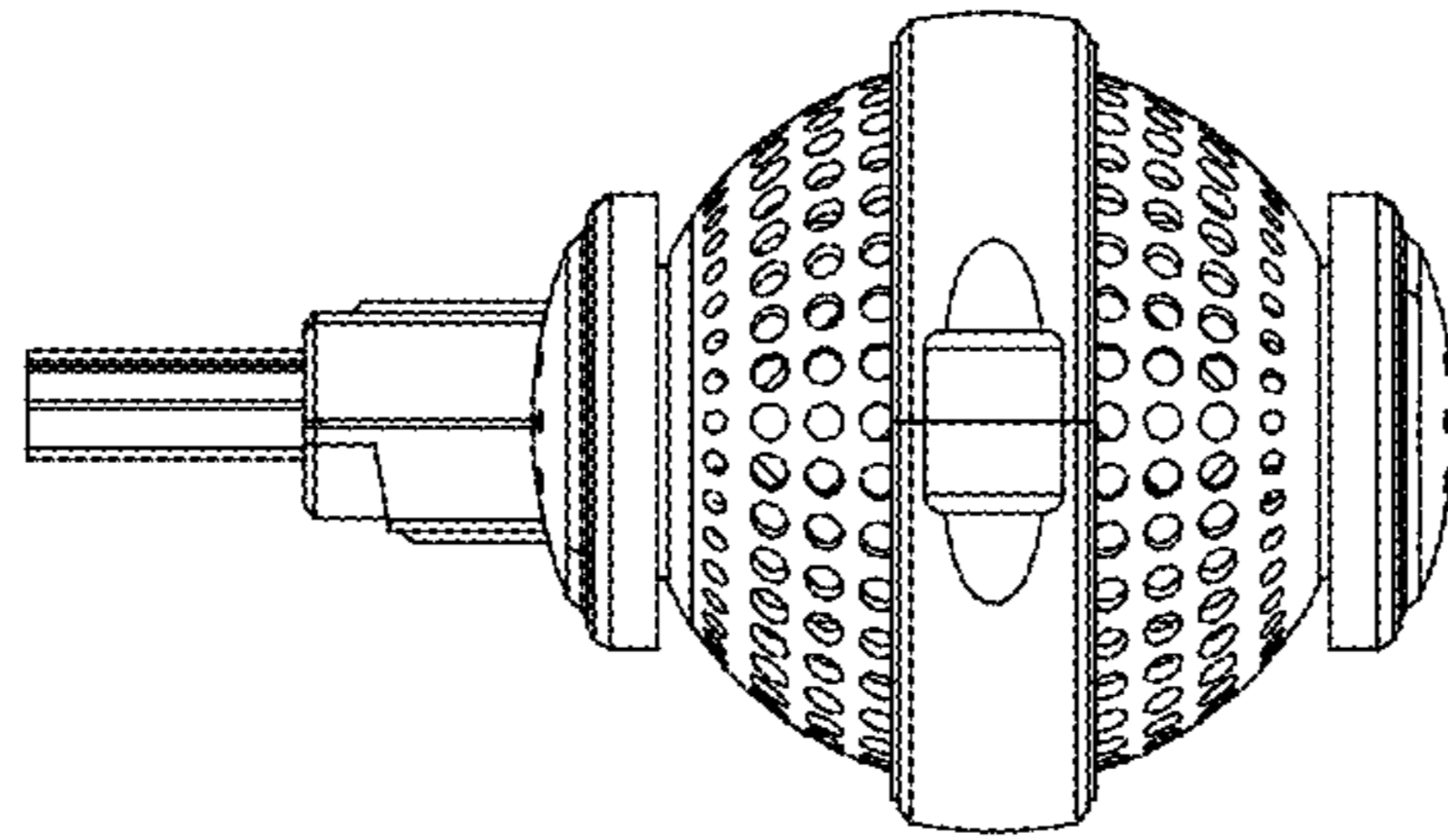


FIG. 5

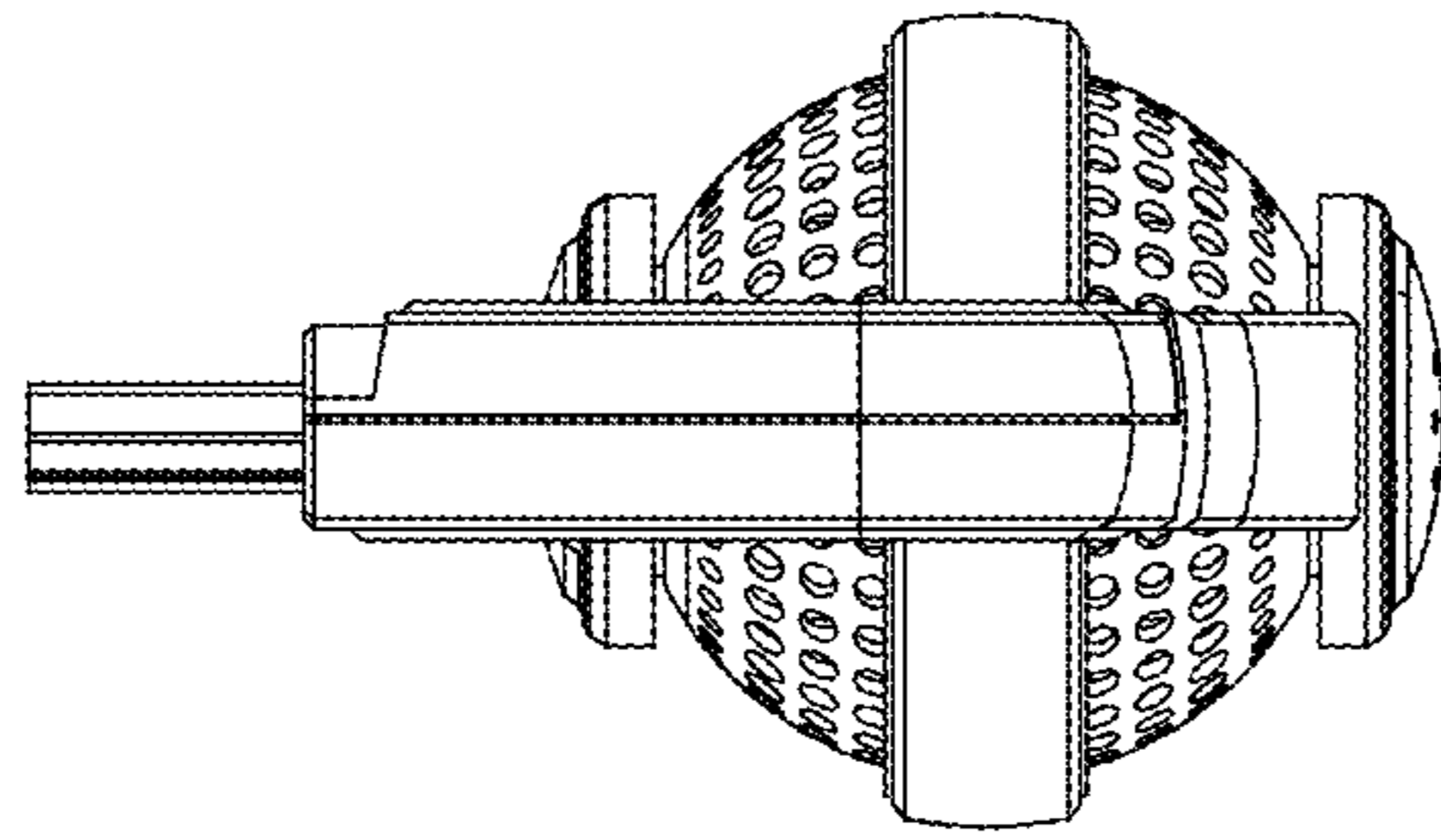


FIG. 6

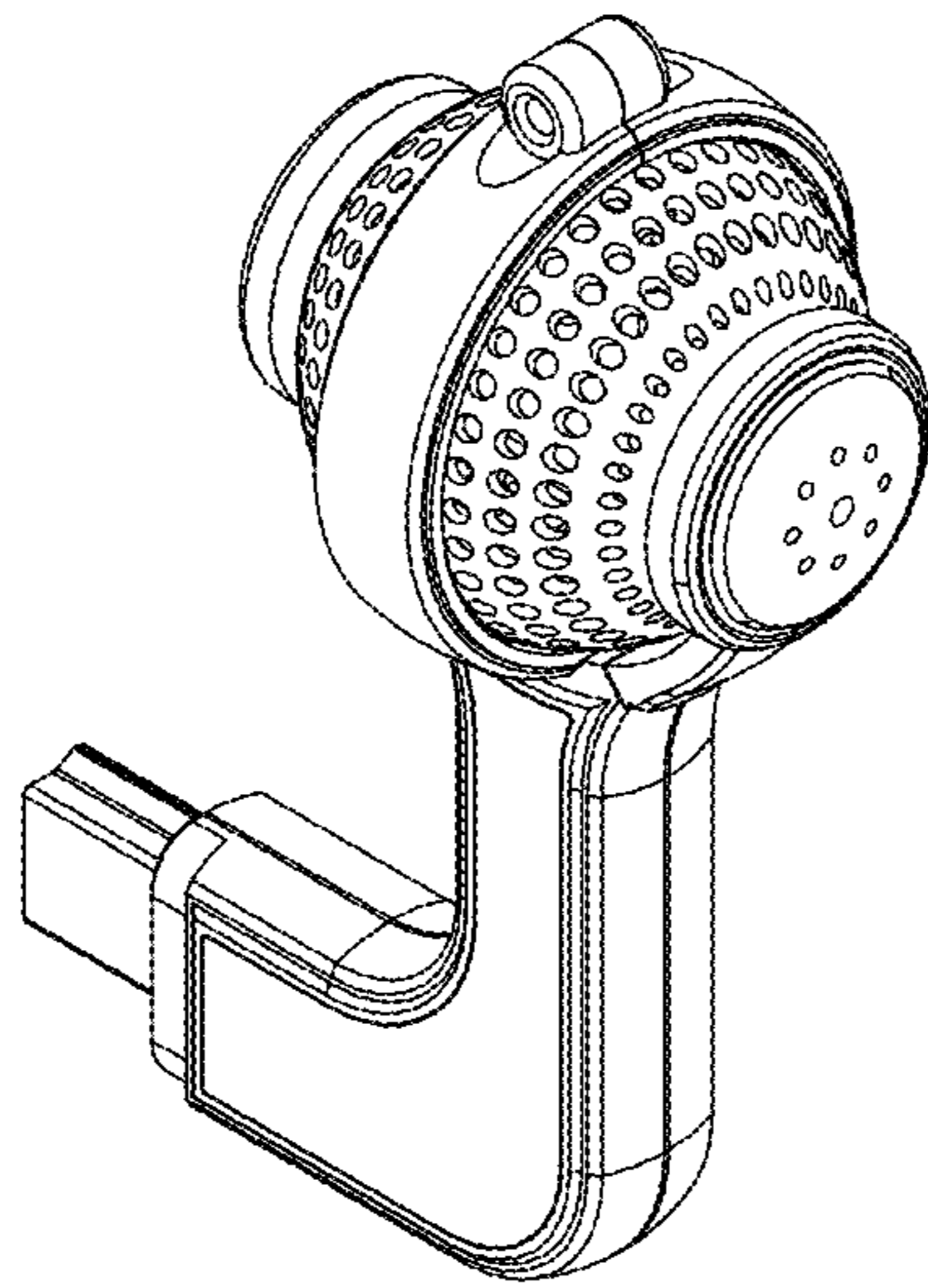


FIG. 7



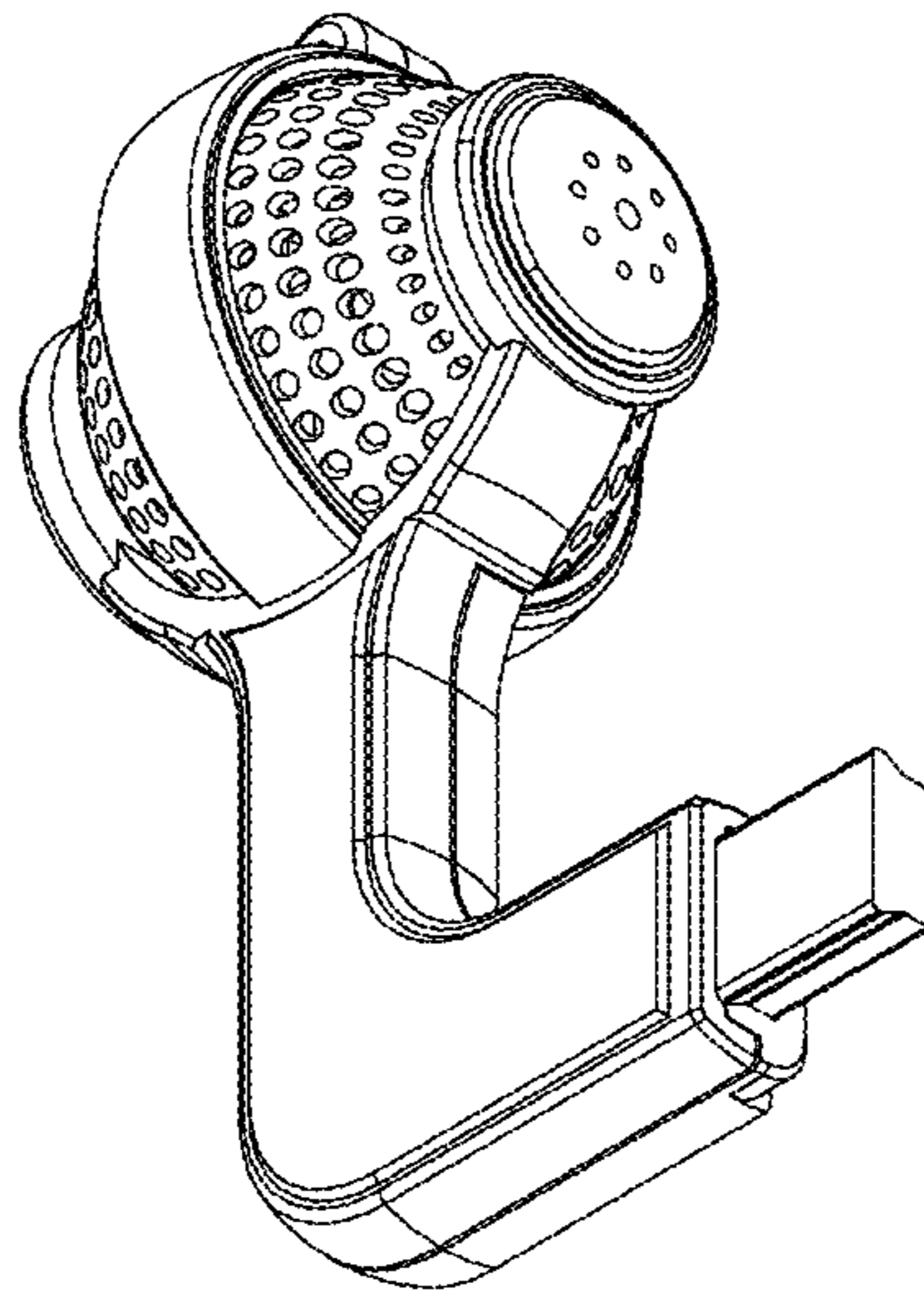


FIG. 8