



US00D769956S

(12) **United States Design Patent**
Hinkel

(10) **Patent No.:** **US D769,956 S**
(45) **Date of Patent:** **** Oct. 25, 2016**

- (54) **COMBINED CAMERA AND HOUSING**
- (71) Applicant: **Ralf Hinkel**, Horingen (DE)
- (72) Inventor: **Ralf Hinkel**, Horingen (DE)
- (73) Assignee: **MOBOTIX AG**, Winnweiler (DE)
- (**) Term: **15 Years**
- (21) Appl. No.: **29/553,032**
- (22) Filed: **Jan. 28, 2016**

Related U.S. Application Data

- (62) Division of application No. 29/440,413, filed on Dec. 21, 2012, now Pat. No. Des. 751,618.

(30) **Foreign Application Priority Data**

Sep. 21, 2012 (DE) 40 2012 004 445

- (51) **LOC (10) Cl.** **16-01**
- (52) **U.S. Cl.**
USPC **D16/203**

(58) **Field of Classification Search**

USPC D16/200, 202–204, 207, 208, 210, 218,
D16/219, 222; D12/400; 340/937; 348/143,
348/148, 151, 360, 373–376; 396/427, 429,
396/529, 535, 539–541
CPC G03B 15/03; G03B 17/02; G03B 17/04;
G03B 17/48; G03B 17/56; G03B 19/04;
G08G 1/0175; H04N 5/2251; H04N 5/2252;
H04N 5/2253; H04N 5/2254; H04N 2101/00;
B60R 1/00

See application file for complete search history.

(56) **References Cited**

U.S. PATENT DOCUMENTS

D394,274 S	5/1998	Suzuki	
D470,520 S	2/2003	Yamakawa et al.	
D523,886 S	6/2006	Wen et al.	
D526,674 S	8/2006	Byun et al.	
7,520,686 B2 *	4/2009	Droege	G03B 17/02 348/143
D592,231 S	5/2009	Schnell	
7,604,423 B2 *	10/2009	Nagata	G03B 19/07 348/375

D633,122 S	2/2011	Booker et al.	
D666,660 S	9/2012	Amit et al.	
D680,142 S	4/2013	Weiss	
D686,267 S *	7/2013	Mihara	D16/202
D690,346 S	9/2013	Woolley	
8,587,715 B2 *	11/2013	Takeda	H04N 13/0239 348/231.4
D694,797 S	12/2013	Parker	
D696,329 S	12/2013	Horiki et al.	
D711,451 S *	8/2014	Katsuyama	D16/208
D750,681 S *	3/2016	Takami	D16/202
D751,129 S *	3/2016	Lellky	D16/203
2010/0123819 A1 *	5/2010	Yu	H04N 5/2254 348/360
2011/0199485 A1 *	8/2011	Nakamura	G02B 13/001 348/148
2013/0335568 A1 *	12/2013	Tang	H04N 5/772 348/148

* cited by examiner

Primary Examiner — Susan E Krakower

Assistant Examiner — Ramzi Almatrahi

(74) *Attorney, Agent, or Firm* — Salter & Michaelson

(57) **CLAIM**

The ornamental design for a combined camera and housing, as shown and described.

DESCRIPTION

FIG. 1 is a front elevational view of a combined camera and housing;

FIG. 2 is a rear elevational view thereof;

FIG. 3 is a left side elevational view thereof;

FIG. 4 is a right side elevational view thereof;

FIG. 5 is a top plan view thereof;

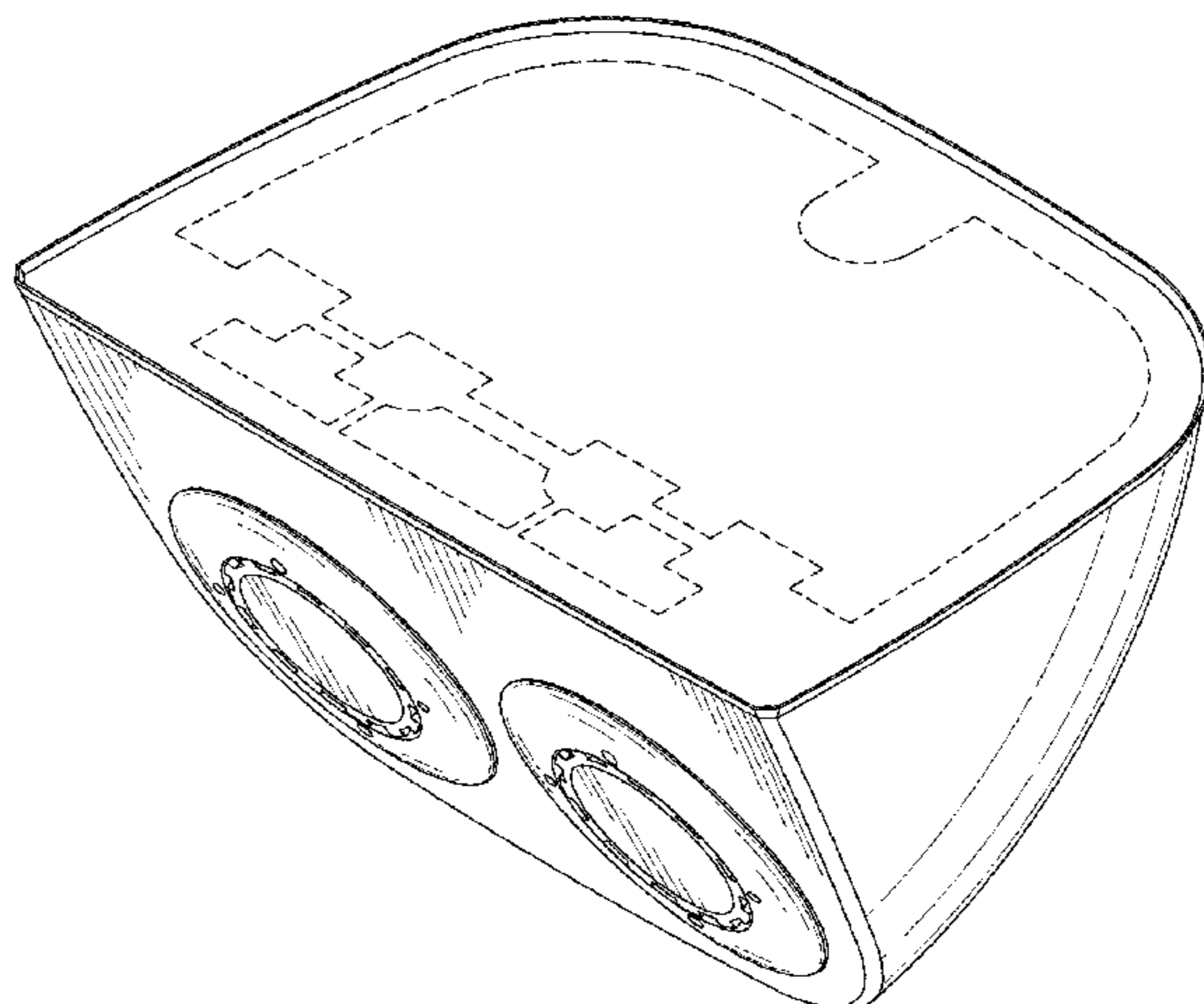
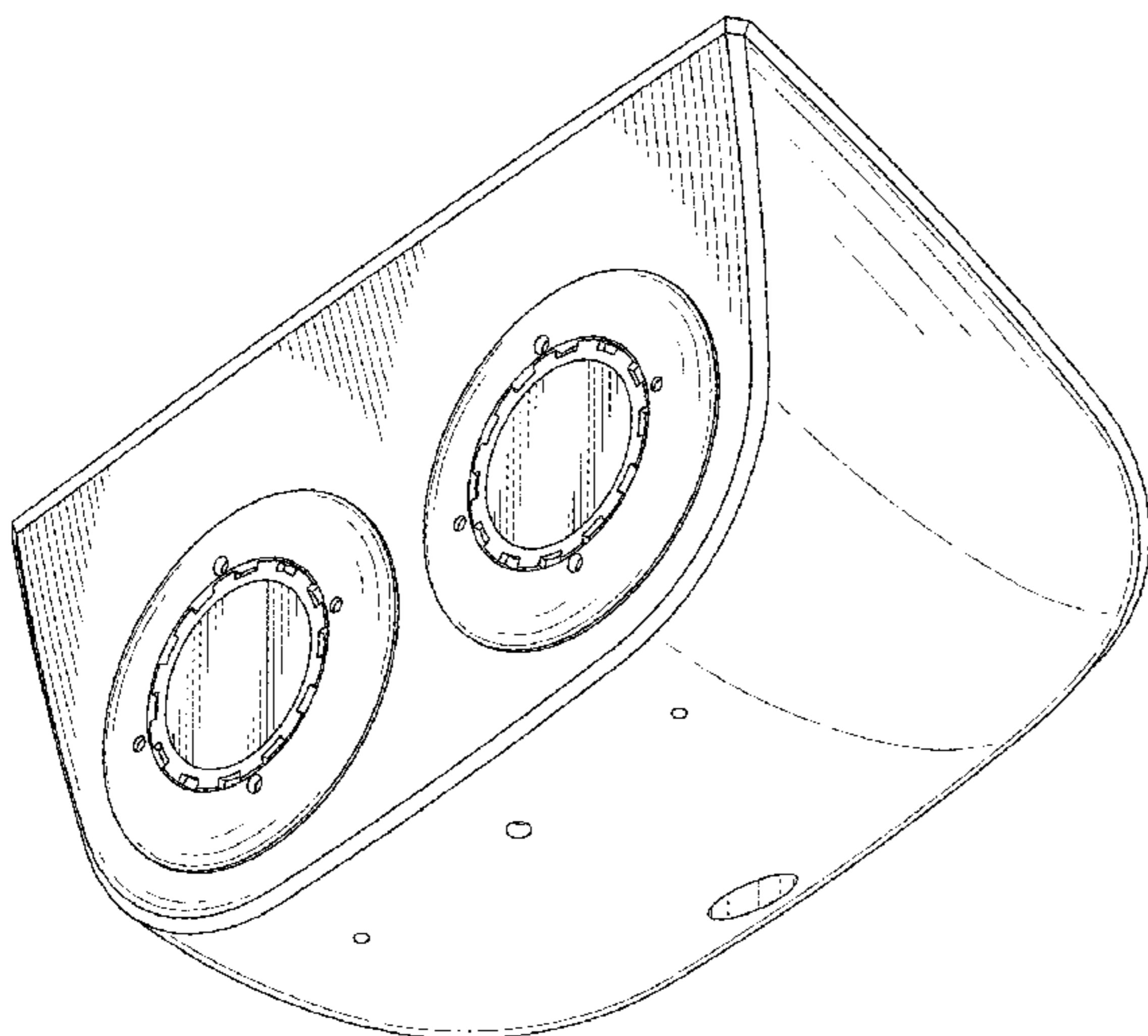
FIG. 6 is a bottom plan view thereof;

FIG. 7 is a bottom isometric view thereof; and,

FIG. 8 is a top isometric view thereof.

The broken lines depict portions of a combined camera and housing in which the design is embodied and form no part of the claimed design.

1 Claim, 8 Drawing Sheets



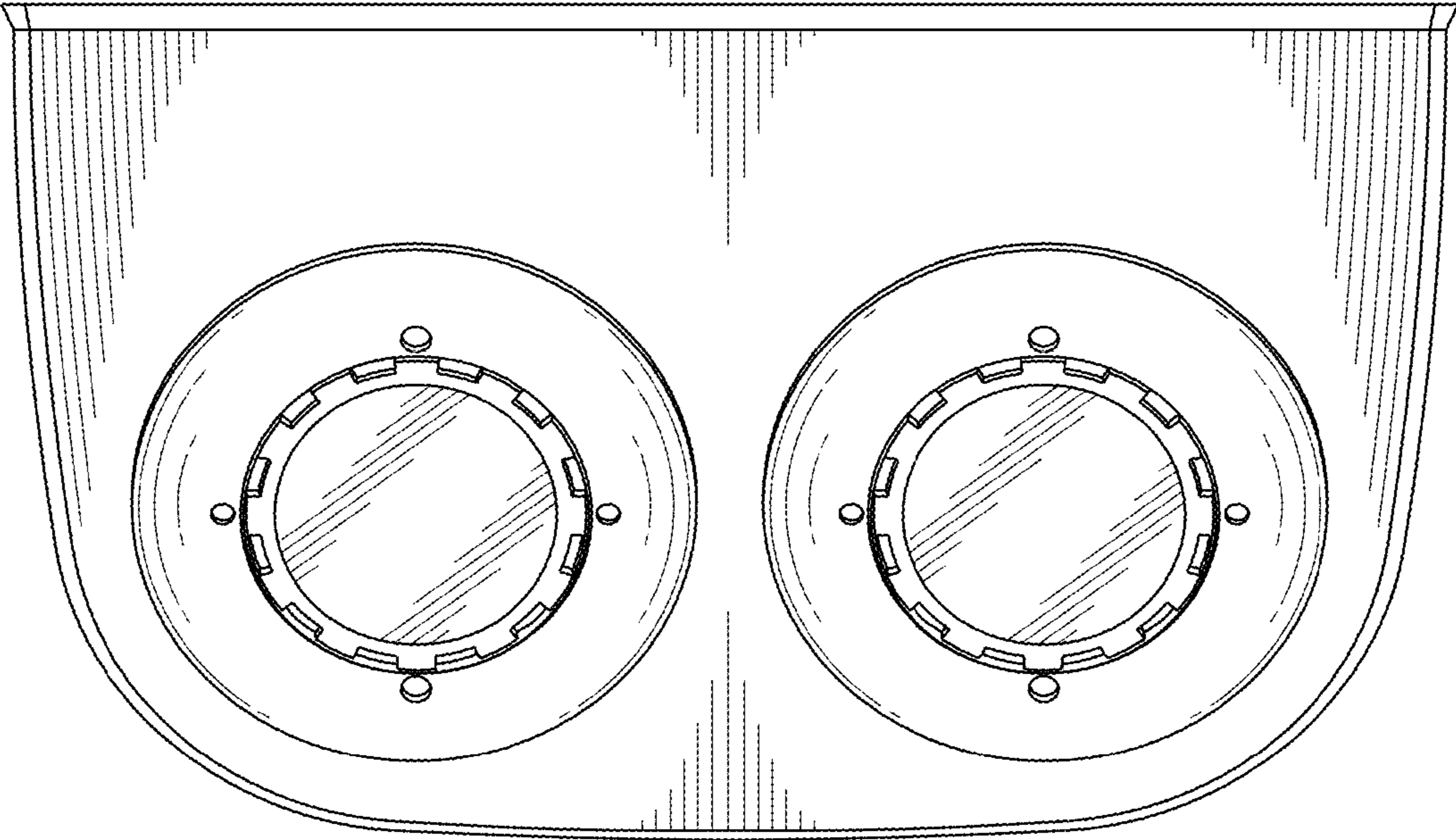


FIG. 1

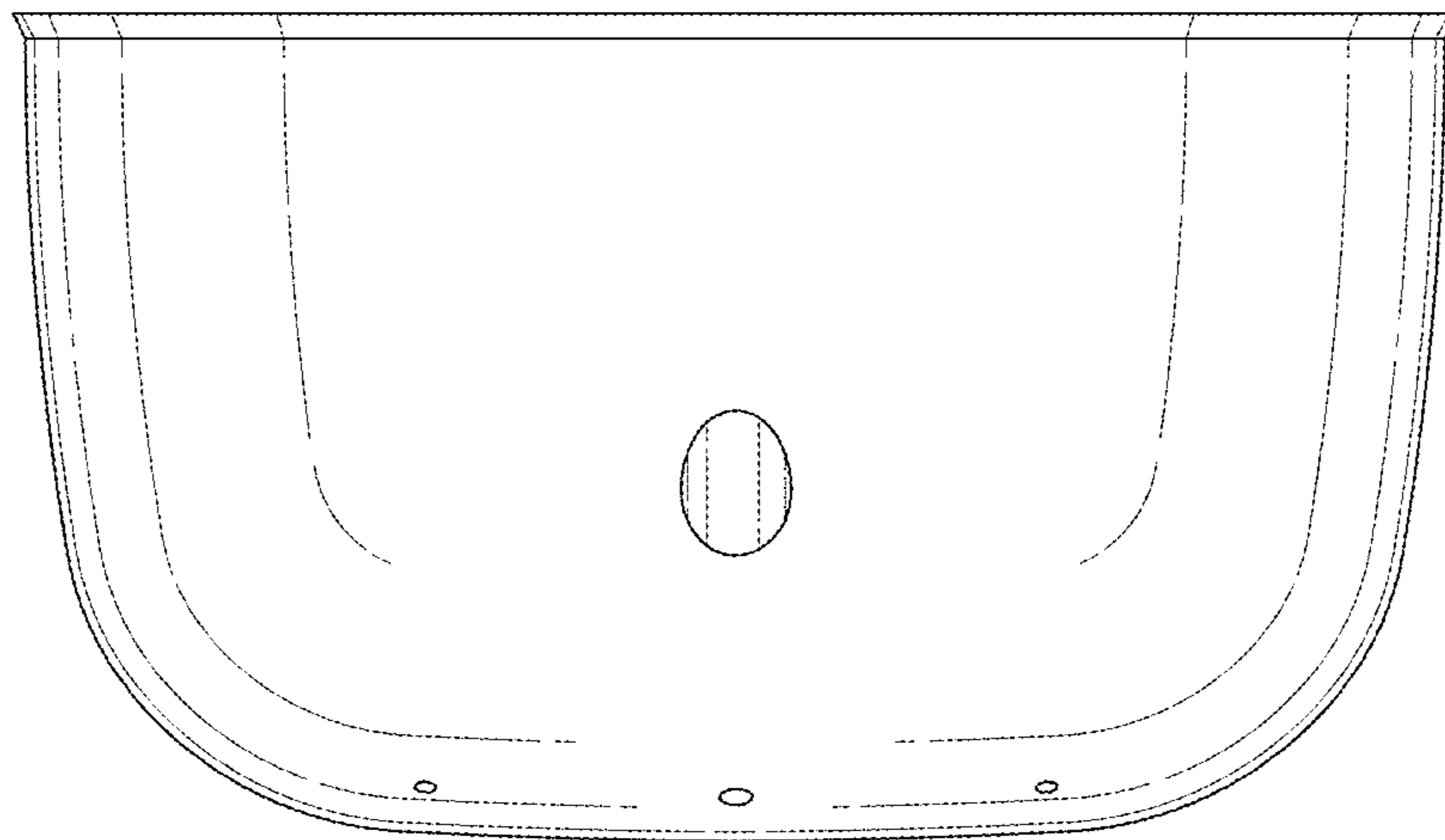


FIG. 2

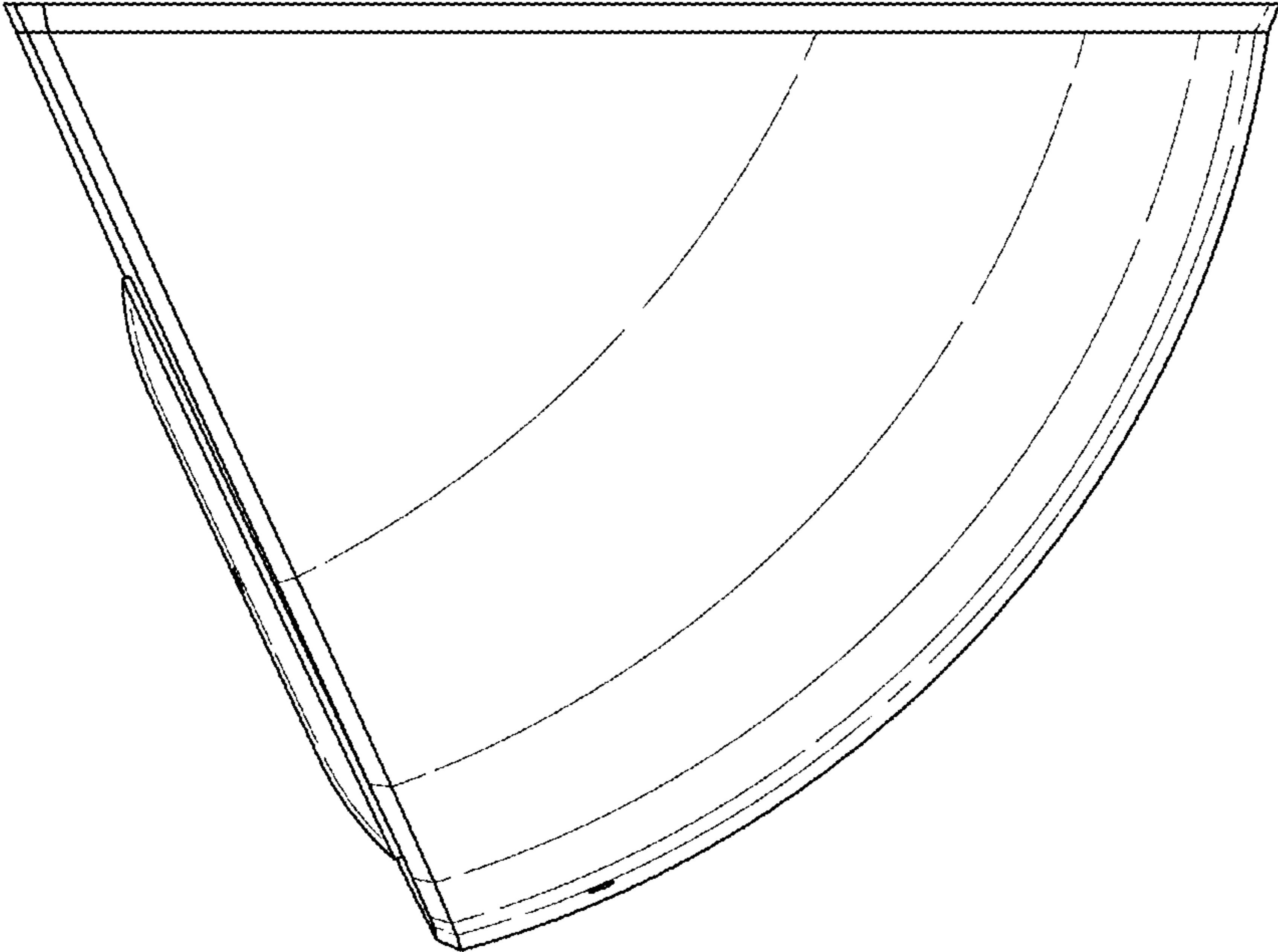


FIG. 3

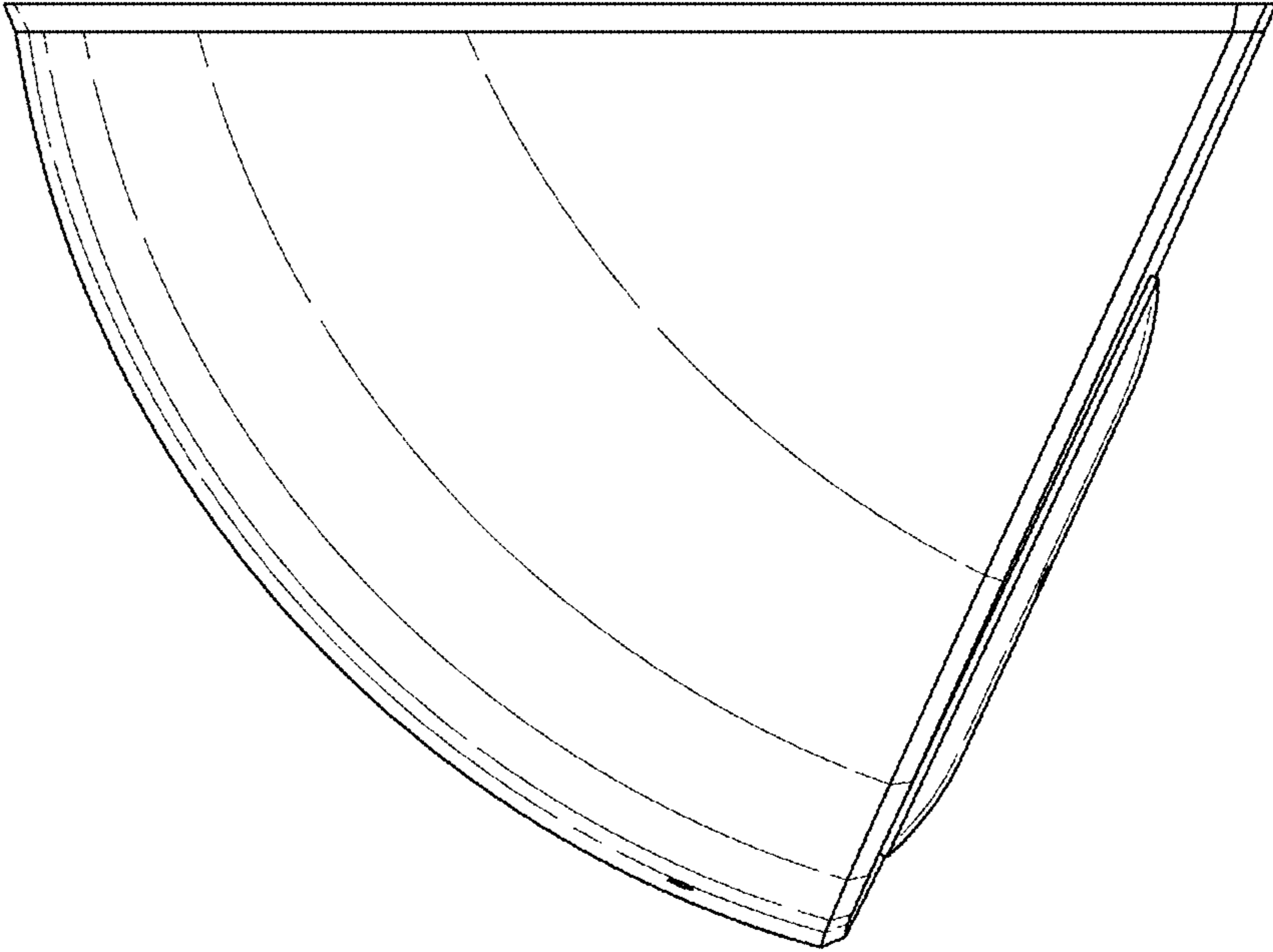


FIG. 4

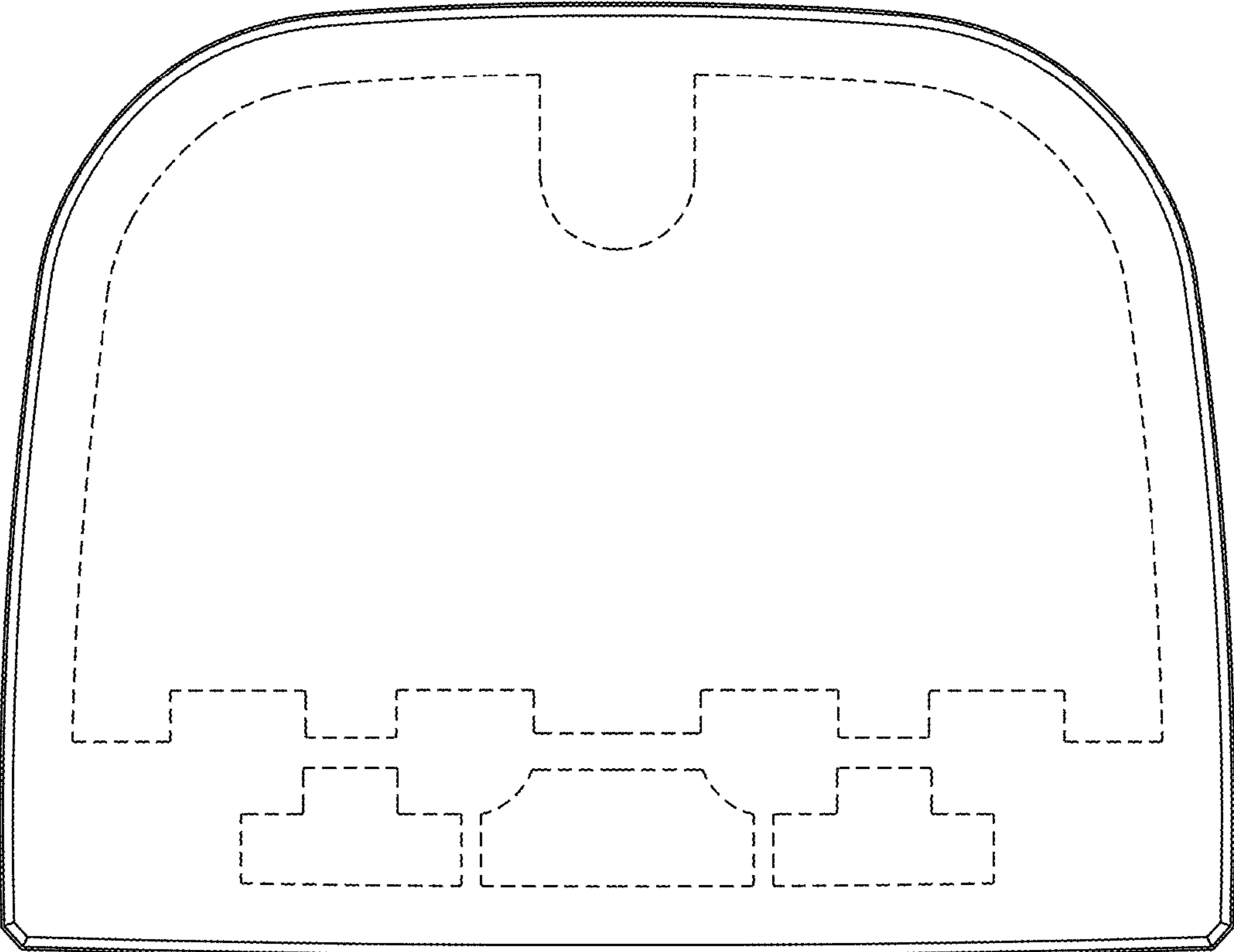


FIG. 5

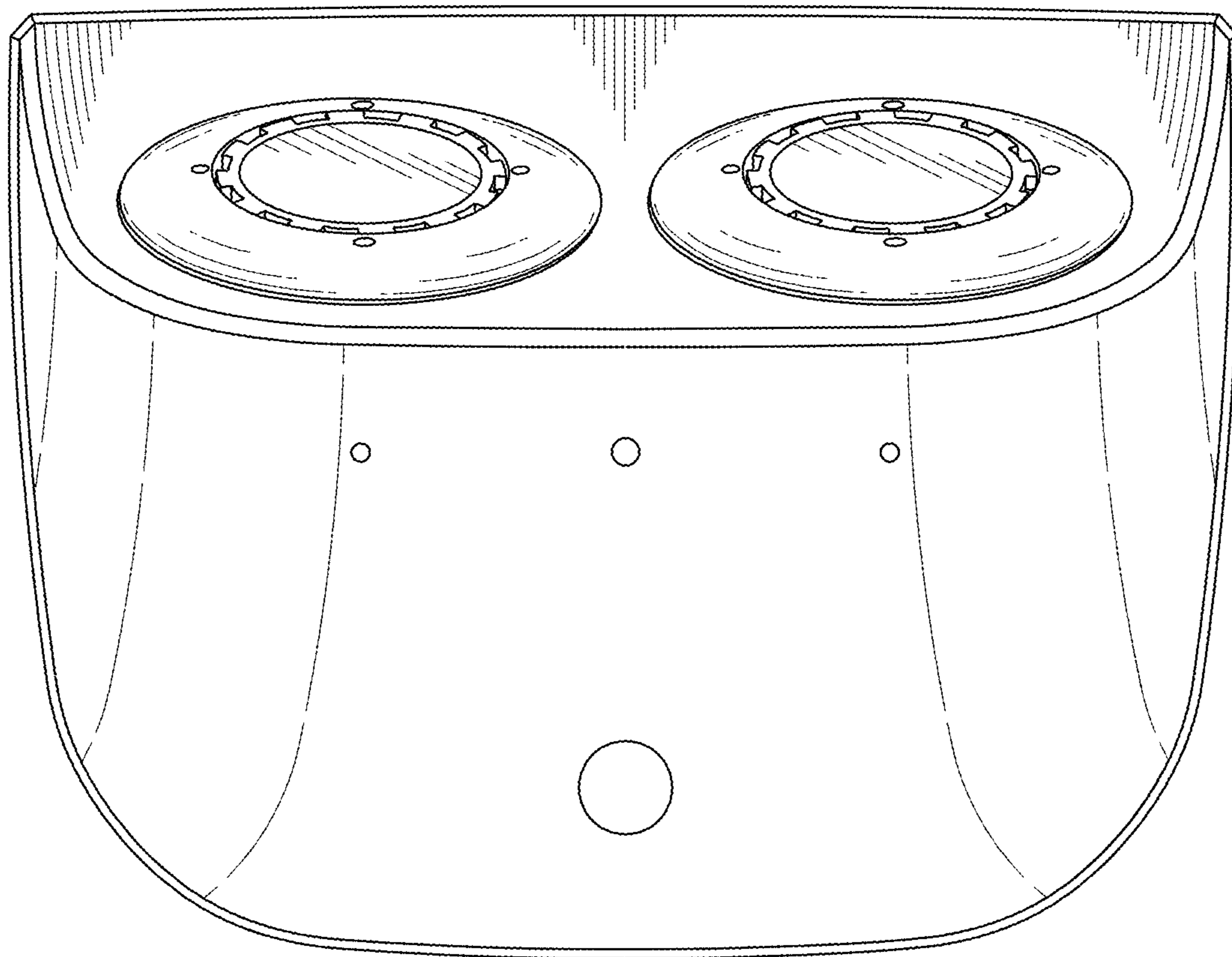


FIG. 6

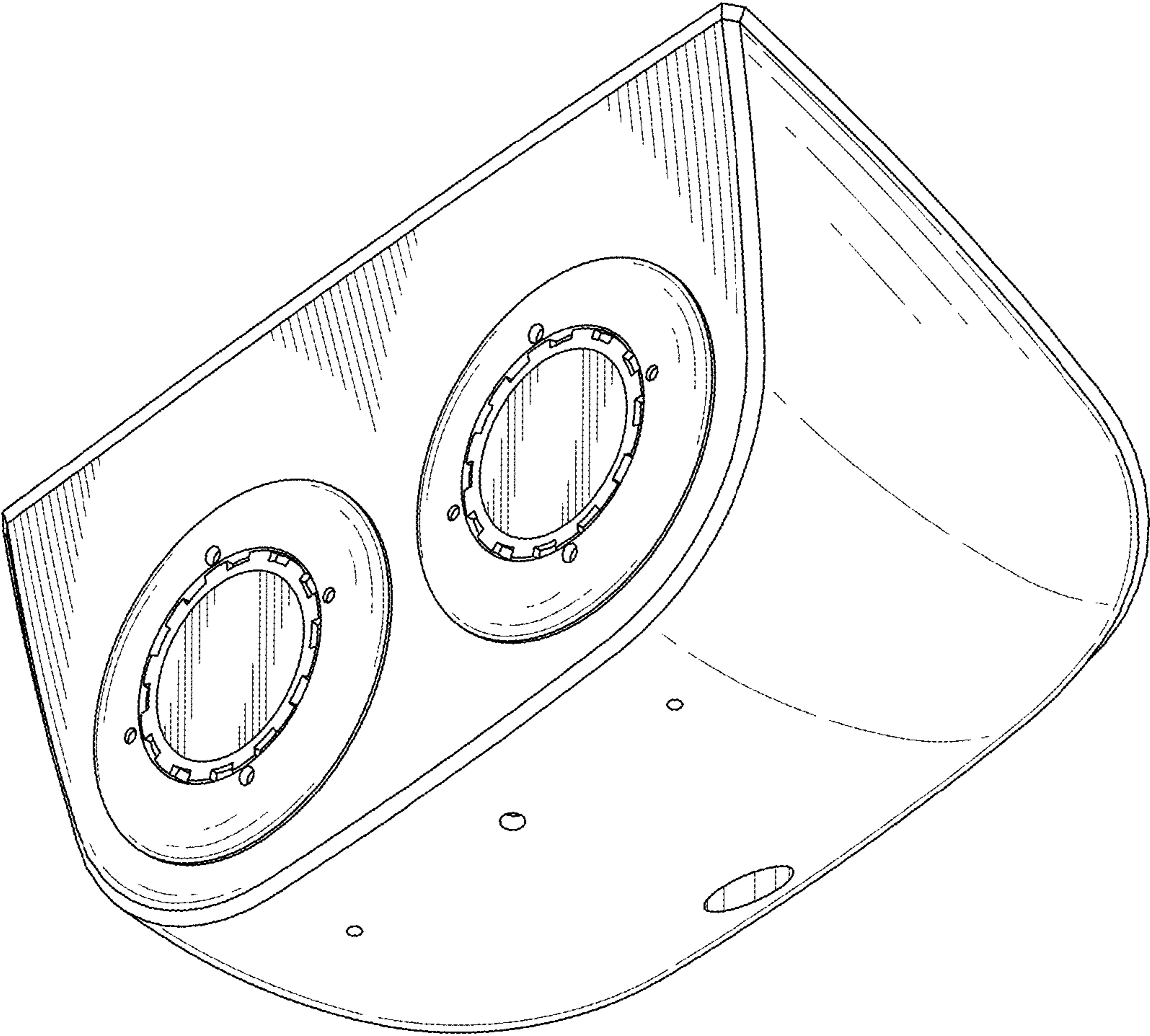


FIG. 7

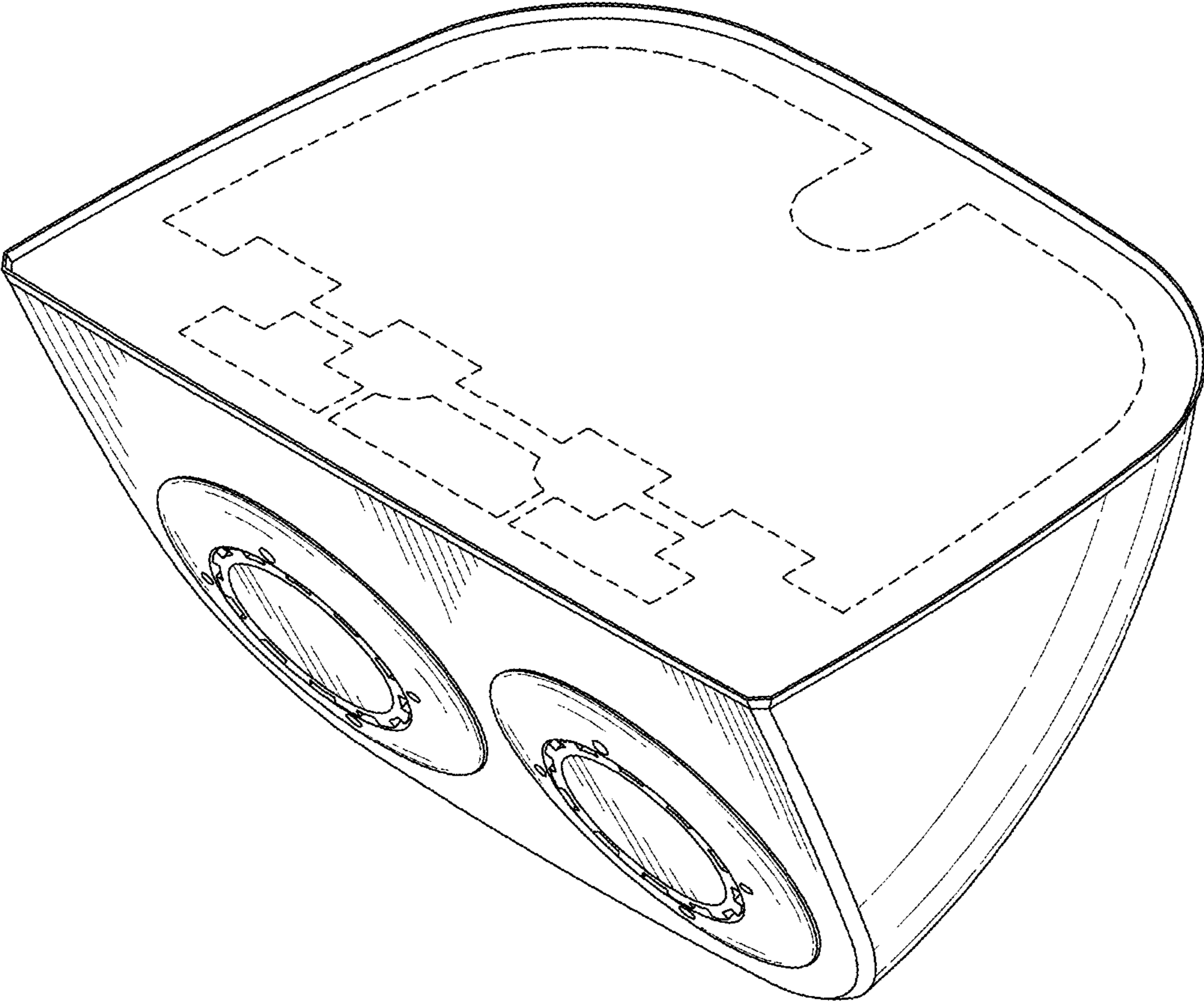


FIG. 8