



US00D769953S

(12) **United States Design Patent**
Bauman et al.

(10) **Patent No.:** **US D769,953 S**
(45) **Date of Patent:** **** Oct. 25, 2016**

(54) **COMPLIANT MANUFACTURING ROBOT INTERFACE**

(71) Applicants: **Miri Bauman**, Brookline, MA (US);
Christopher John Smith, Cambridge, MA (US); **Bruce Blumberg**, Concord, MA (US); **Matthew Knoll**, Boston, MA (US); **Umberto Scarfoglio**, Cambridge, MA (US)

(72) Inventors: **Miri Bauman**, Brookline, MA (US);
Christopher John Smith, Cambridge, MA (US); **Bruce Blumberg**, Concord, MA (US); **Matthew Knoll**, Boston, MA (US); **Umberto Scarfoglio**, Cambridge, MA (US)

(73) Assignee: **RETHINK ROBOTICS, INC.**, Boston, MA (US)

(**) Term: **14 Years**

(21) Appl. No.: **29/520,632**

(22) Filed: **Mar. 17, 2015**

(51) **LOC (10) Cl.** **15-09**

(52) **U.S. Cl.**
USPC **D15/199; D21/578**

(58) **Field of Classification Search**
USPC D14/371; D15/199; D21/578-583, 621, D21/622
See application file for complete search history.

(56) **References Cited**

U.S. PATENT DOCUMENTS

D314,401 S * 2/1991 Lehman et al. D20/3
D486,191 S * 2/2004 Robinson D21/578

D509,268 S * 9/2005 Robinson D21/578
D515,639 S * 2/2006 Robinson D21/578
D570,926 S * 6/2008 Robinson D21/578
D570,928 S * 6/2008 Robinson D21/578
D623,914 S * 9/2010 van der Lande D8/38
D639,354 S * 6/2011 Weeks D21/579
D662,155 S * 6/2012 Yu D21/578
D663,333 S * 7/2012 Kitano et al. D15/199
D667,898 S * 9/2012 Gettings et al. D21/578
D683,730 S * 6/2013 Akana et al. D14/341
D697,104 S 1/2014 Dye
D700,154 S * 2/2014 Zimmer D14/126
D701,256 S * 3/2014 Song et al. D15/199
D720,378 S 12/2014 Dye

* cited by examiner

Primary Examiner — Patricia Palasik

(74) *Attorney, Agent, or Firm* — Morgan, Lewis & Bockius LLP

(57) **CLAIM**

The ornamental design for a compliant manufacturing robot interface, substantially as shown.

DESCRIPTION

FIG. 1 is a perspective view of a compliant manufacturing robot interface;

FIG. 2 is a front view thereof;

FIG. 3 is a back view thereof;

FIG. 4 is a right side view thereof;

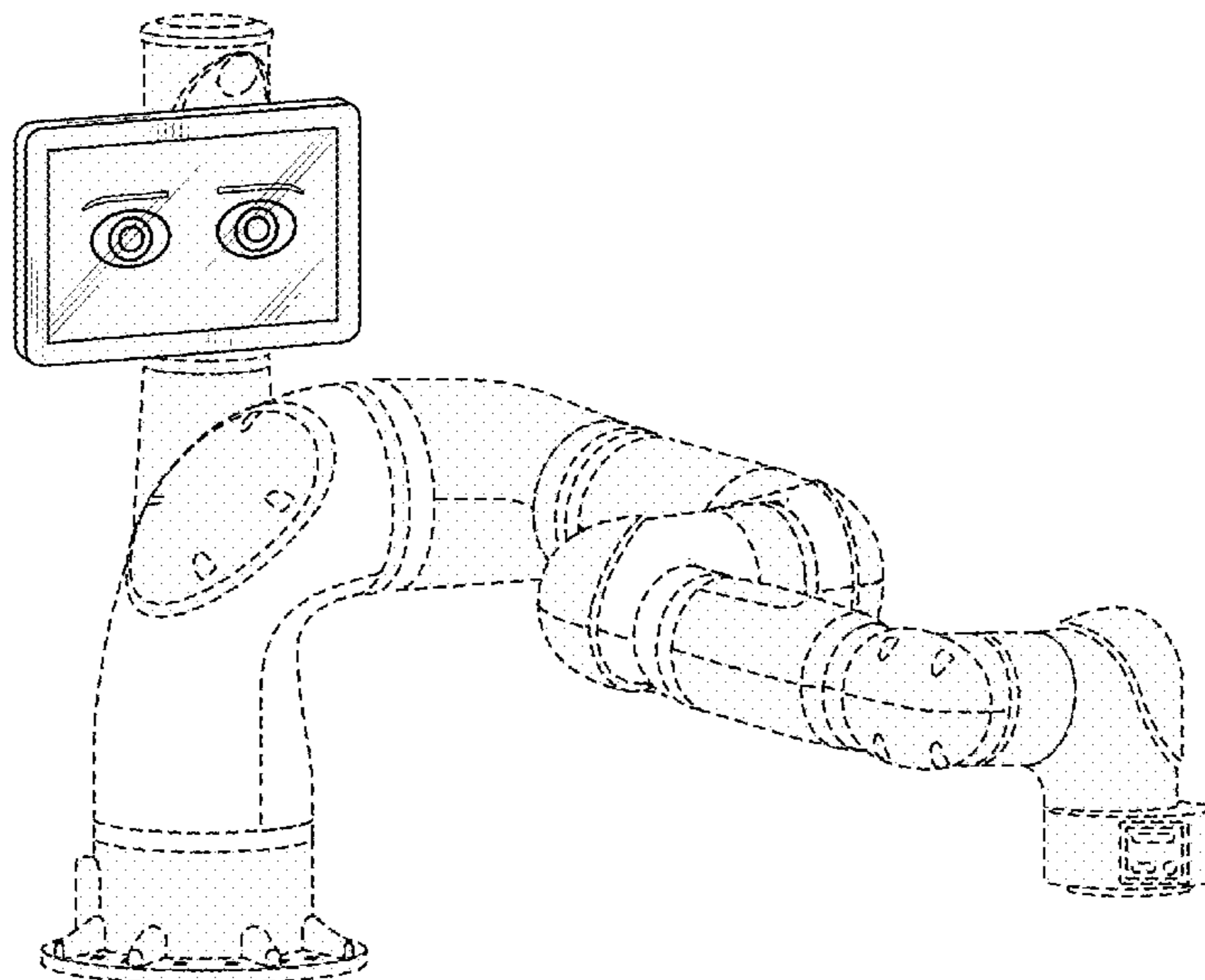
FIG. 5 is a left side view thereof;

FIG. 6 is a top view thereof; and,

FIG. 7 is a bottom view thereof.

The broken lines in the drawings depict unclaimed environmental subject matter.

1 Claim, 4 Drawing Sheets



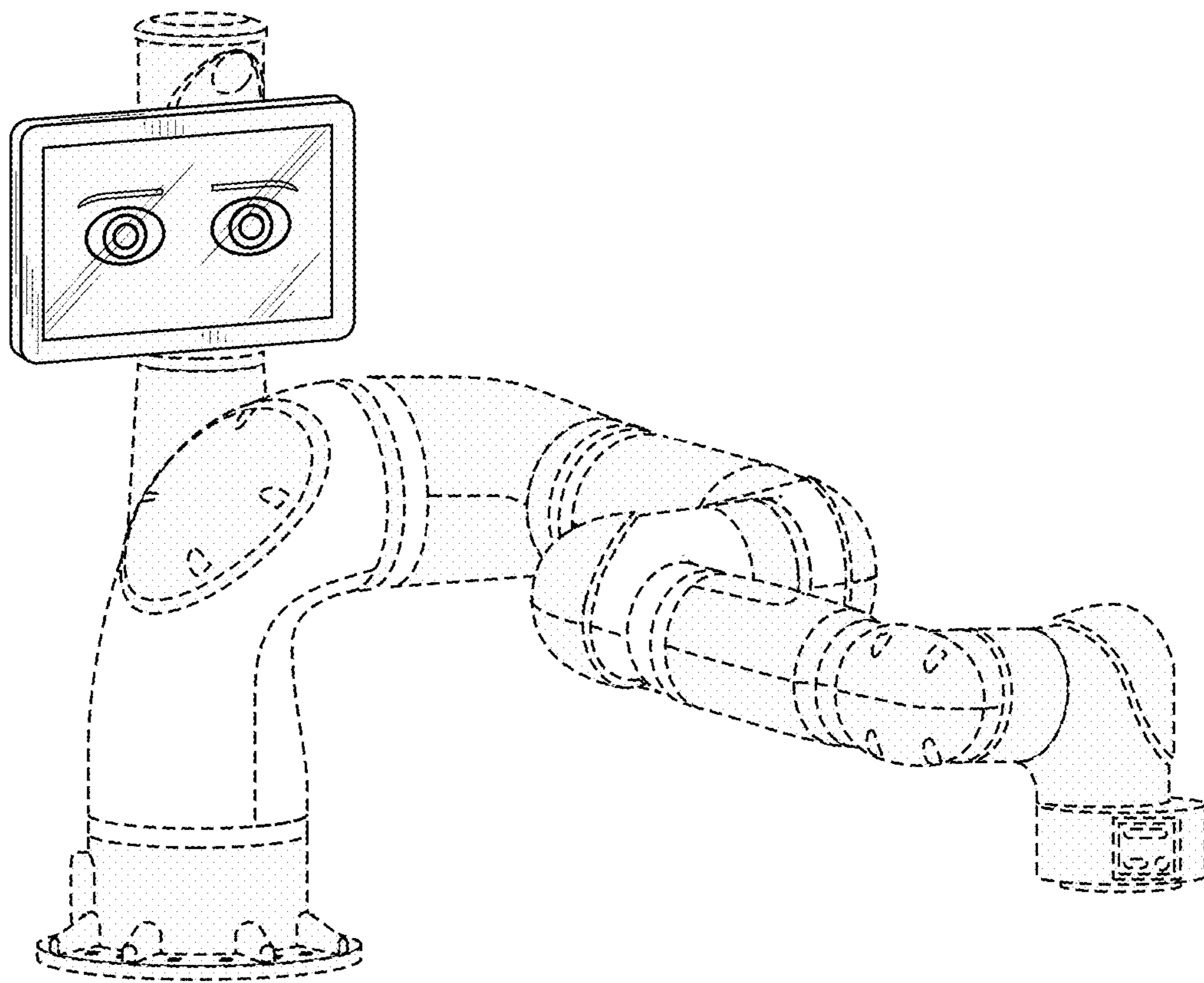


FIG. 1

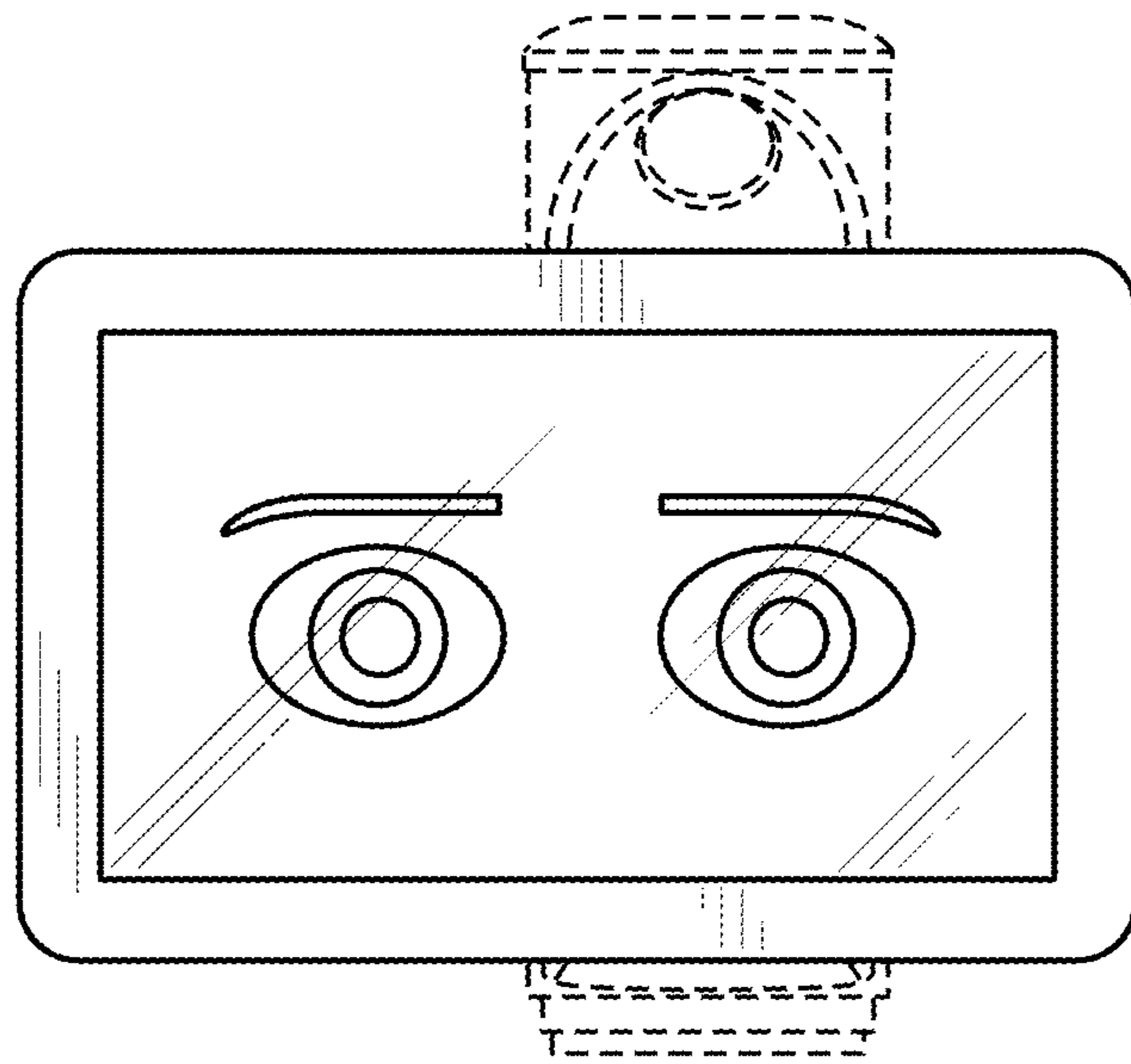


FIG. 2

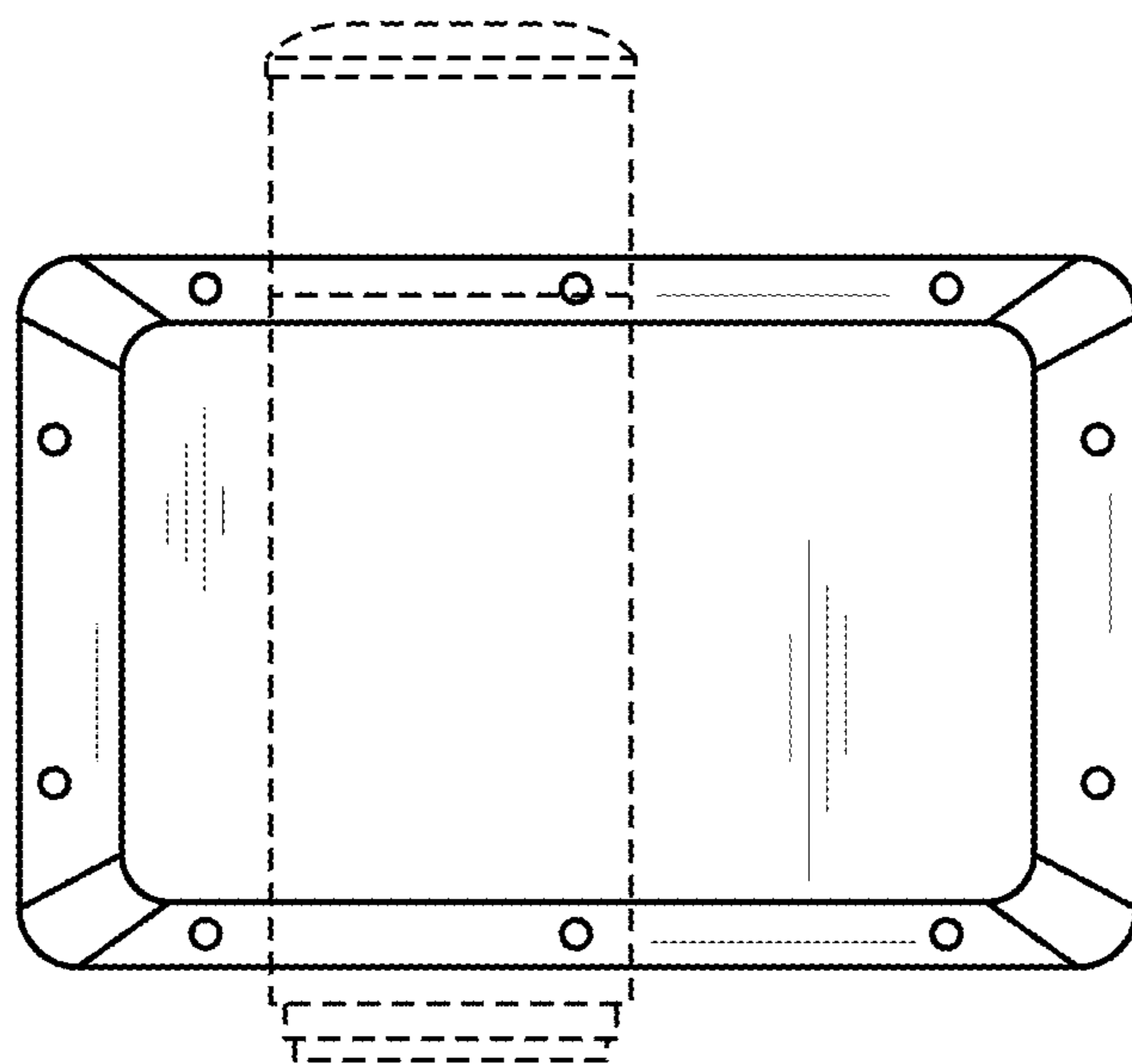


FIG. 3

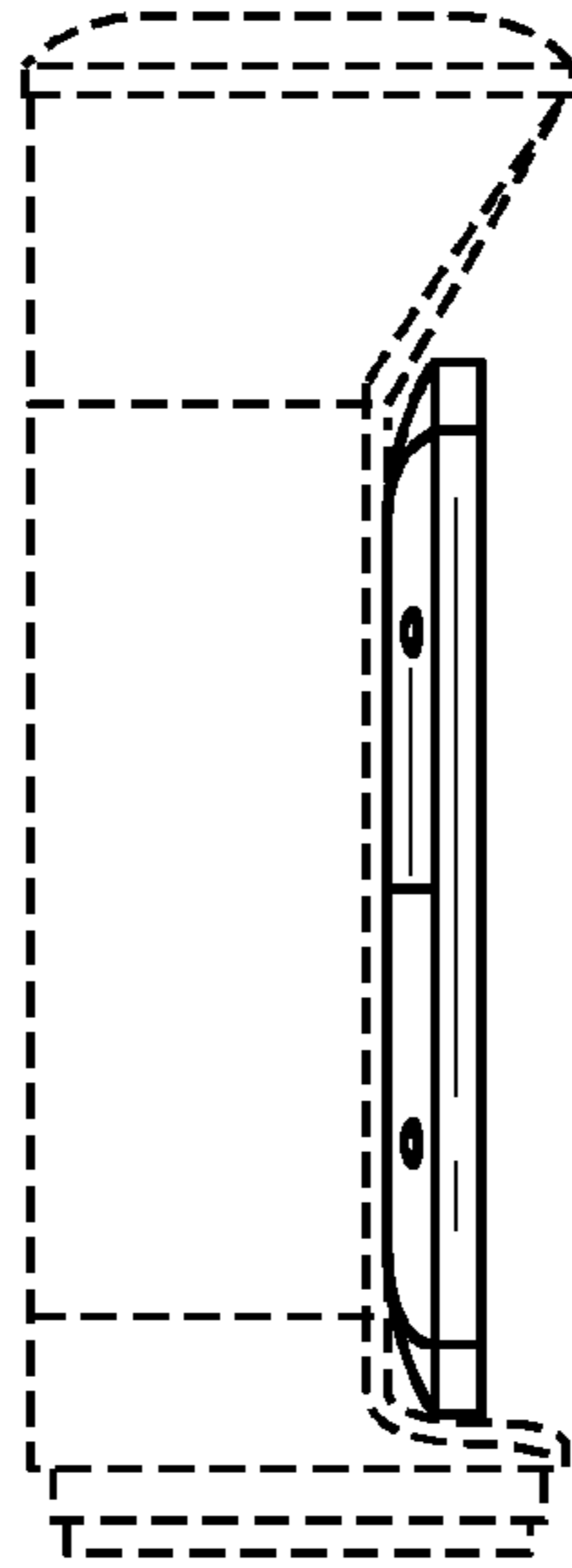


FIG. 4

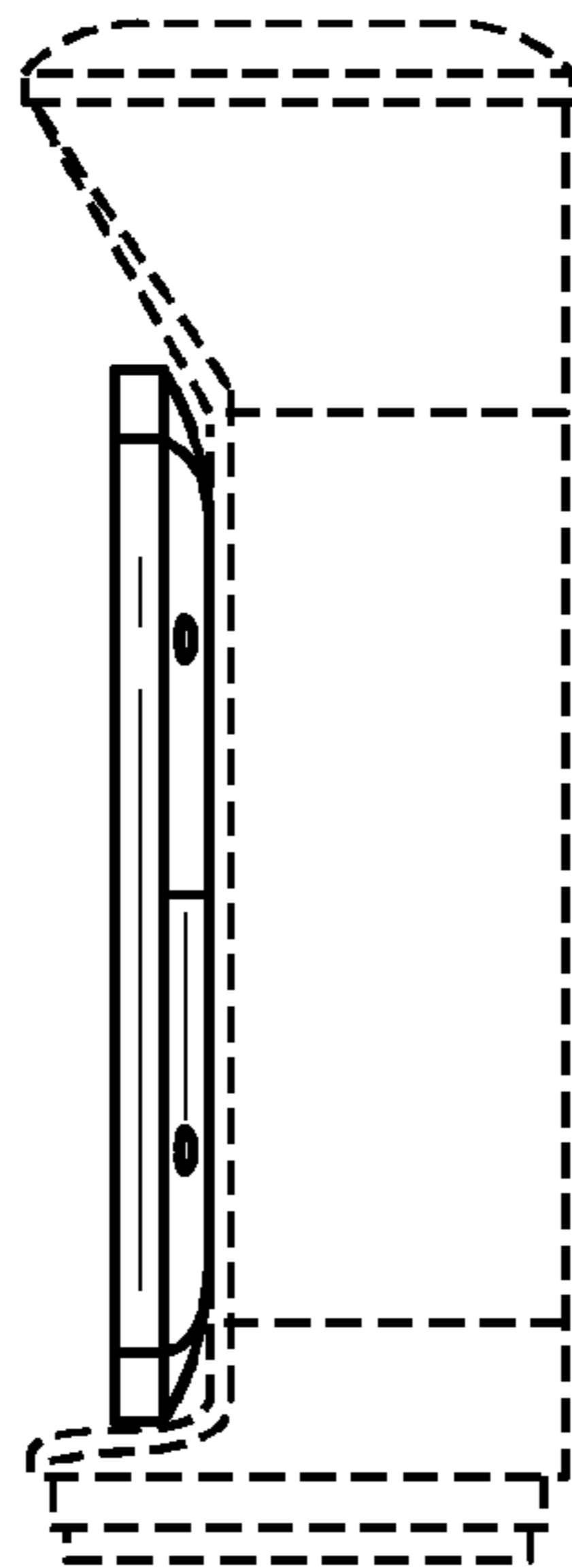


FIG. 5

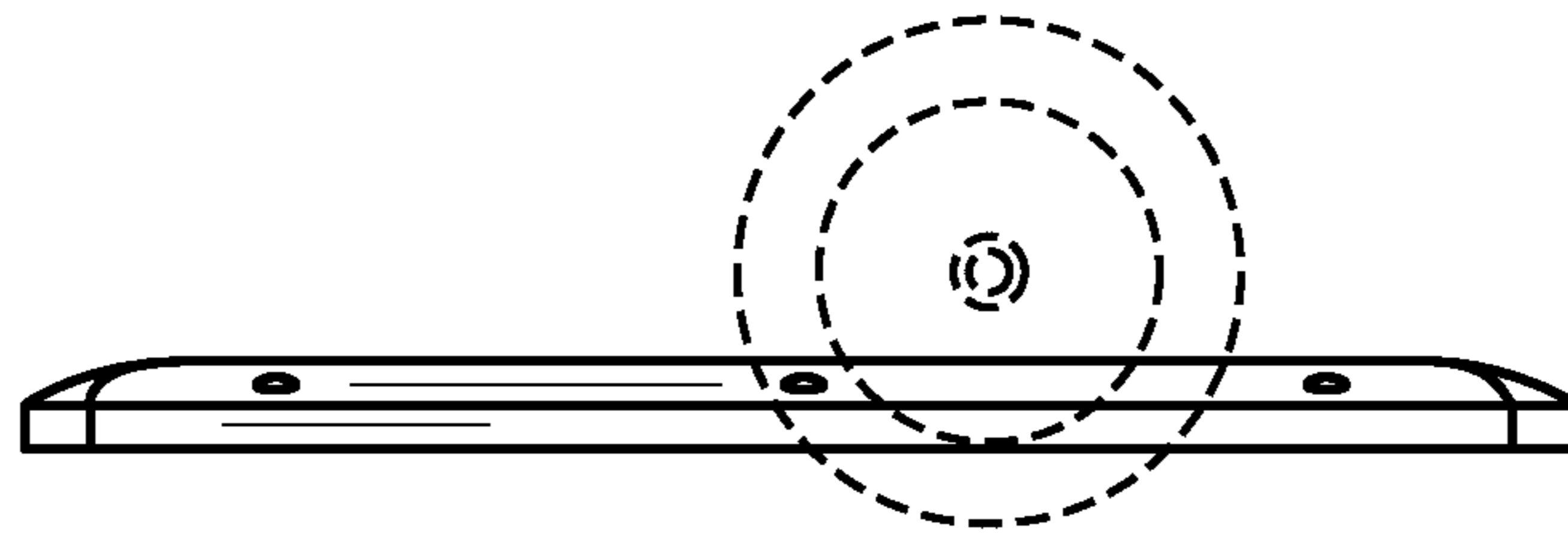


FIG. 6

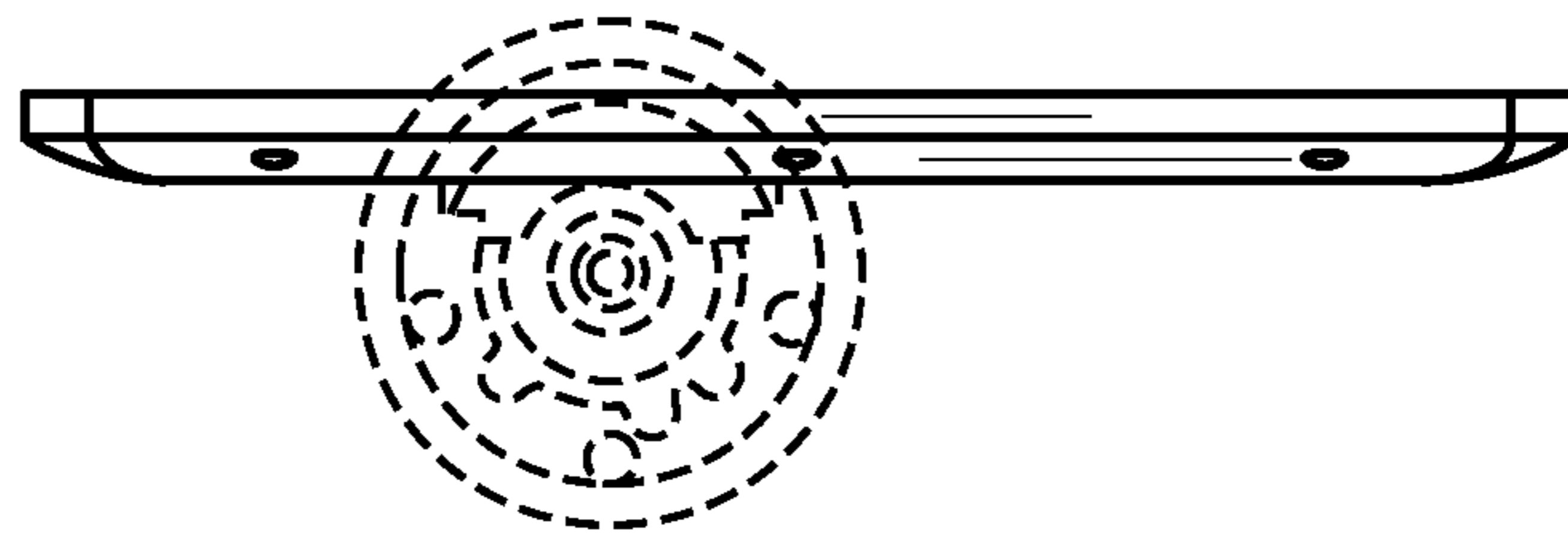


FIG. 7