



US00D769952S

(12) **United States Design Patent**
Andersson et al.

(10) **Patent No.:** **US D769,952 S**

(45) **Date of Patent:** **** Oct. 25, 2016**

- (54) **GEAR**
- (71) Applicant: **Siemens Aktiengesellschaft**, München (DE)
- (72) Inventors: **Jan Andersson**, Erlangen (DE); **Steffen Schmalzer**, Witten (DE); **Birgit Six**, Würzburg (DE)
- (73) Assignee: **SIEMENS AKTIENGESELLSCHAFT**, München (DE)

- 5,662,545 A * 9/1997 Zimmerman B05B 3/0422 29/893.1
- 7,182,709 B2 * 2/2007 Christ F16H 1/28 475/331
- D638,454 S * 5/2011 Torii D15/143
- D639,321 S * 6/2011 Torii D15/143
- D673,196 S * 12/2012 von Hafen D15/148
- D673,197 S * 12/2012 von Hafen D15/148
- D681,706 S * 5/2013 Savill, Jr. D15/144
- D682,902 S * 5/2013 Tanaka D15/149
- D704,756 S * 5/2014 Voelker D15/148
- D740,867 S * 10/2015 Barta D15/148

* cited by examiner

(**) Term: **14 Years**

Primary Examiner — Patricia Palasik

(21) Appl. No.: **29/515,115**

(74) *Attorney, Agent, or Firm* — Henry M. Feiereisen LLC.

(22) Filed: **Jan. 20, 2015**

(57) **CLAIM**

The ornamental design for a gear, as shown and described.

(30) **Foreign Application Priority Data**

DESCRIPTION

Jul. 17, 2014 (EM) 001417182

(51) **LOC (10) Cl.** **15-09**

(52) **U.S. Cl.**
USPC **D15/148**

(58) **Field of Classification Search**
USPC D15/148, 149
See application file for complete search history.

FIG. 1 is a front elevational view of gears showing my new design;
 FIG. 2 is a rear elevational view thereof;
 FIG. 3 is a top elevational view thereof;
 FIG. 4 is a bottom elevational view thereof;
 FIG. 5 is a right side elevational view thereof;
 FIG. 6 is a left side elevational view thereof; and,
 FIG. 7 is a front left side perspective view thereof.
 The broken line portion of the figure drawings is included to show unclaimed subject matter only and forms no part of the claimed design.

(56) **References Cited**

U.S. PATENT DOCUMENTS

- D240,327 S * 6/1976 Baer D15/148
- D262,032 S * 11/1981 Totsu D15/138

1 Claim, 7 Drawing Sheets

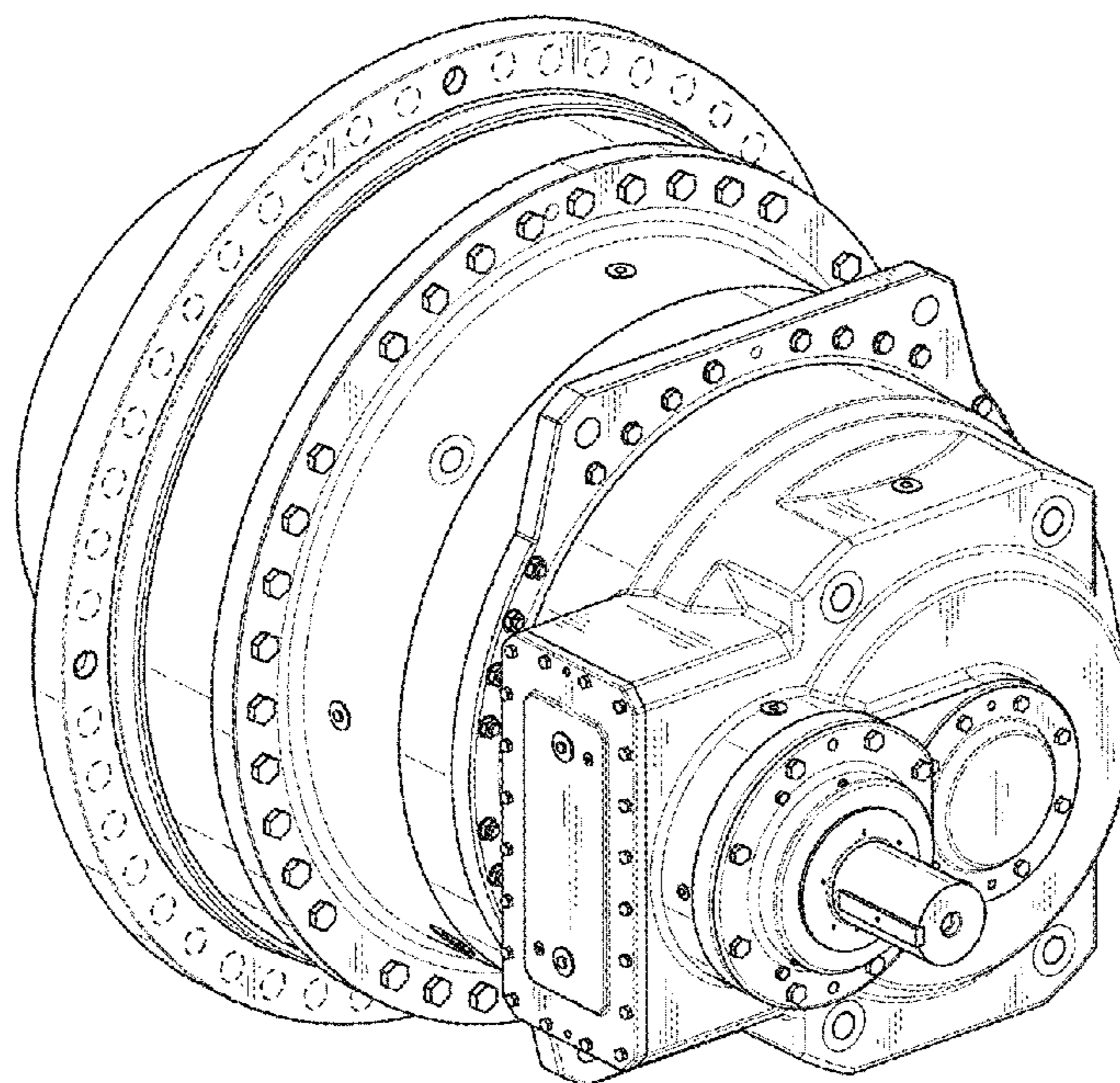


FIG 1

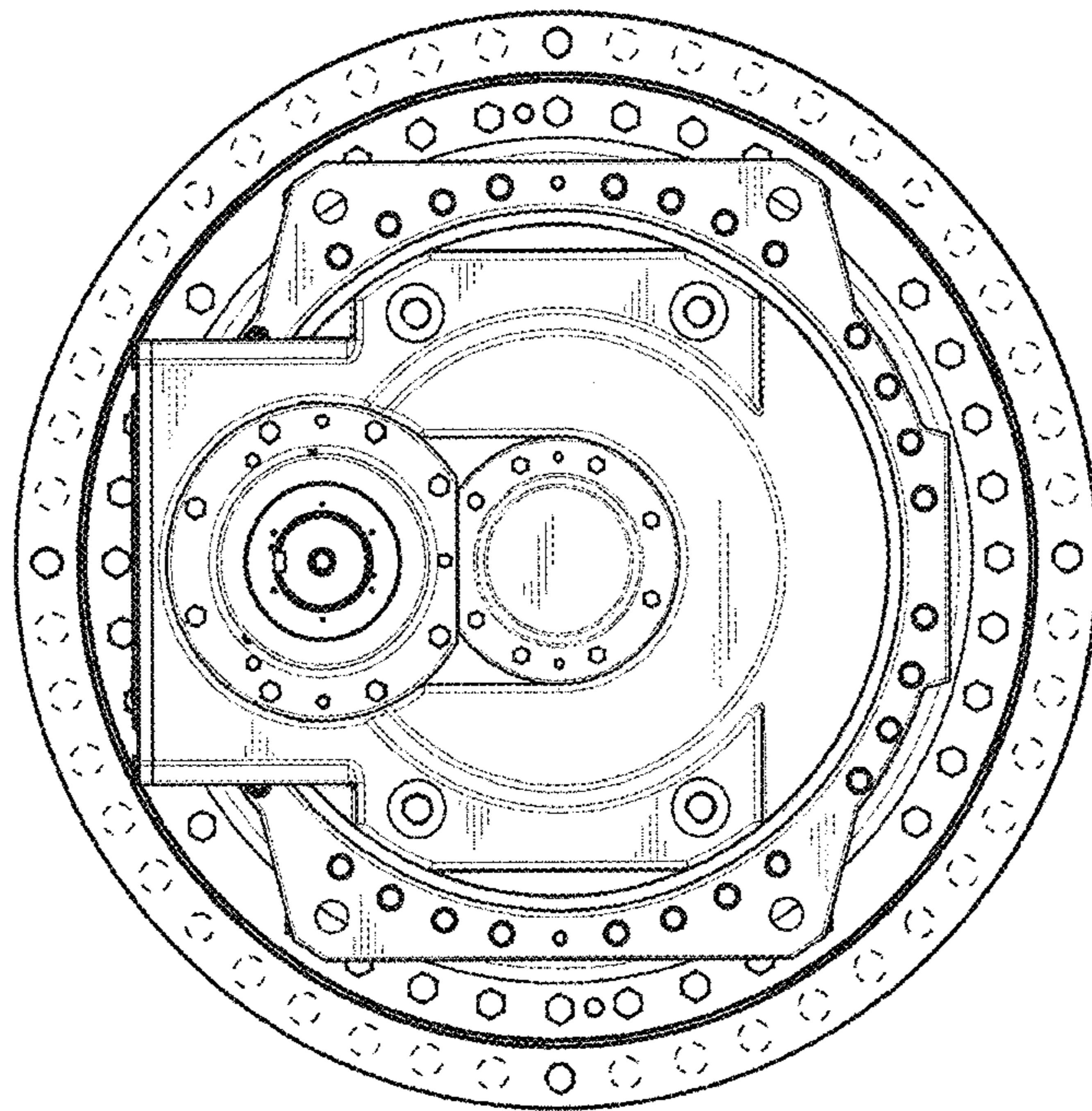


FIG 2

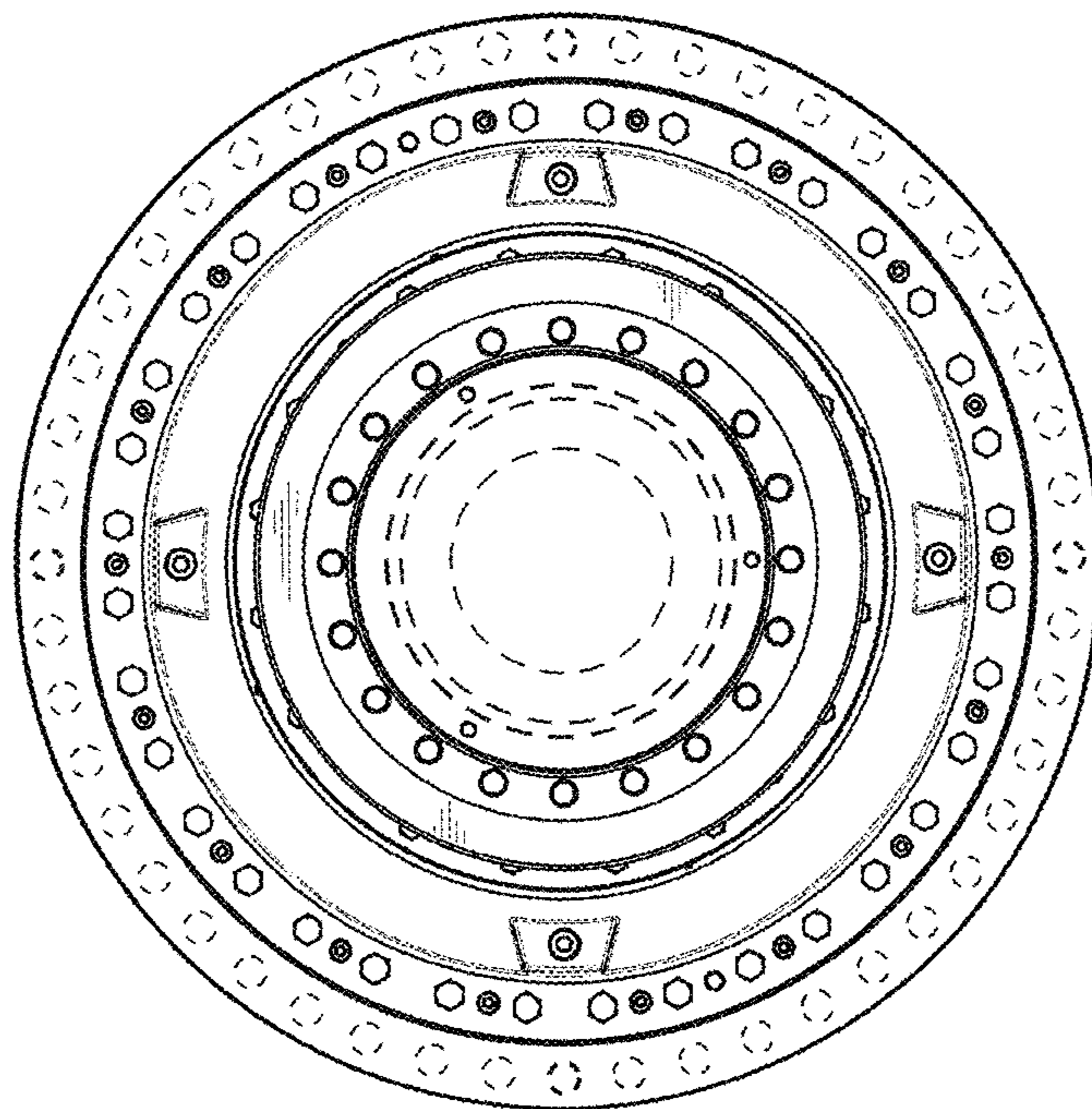


FIG. 3

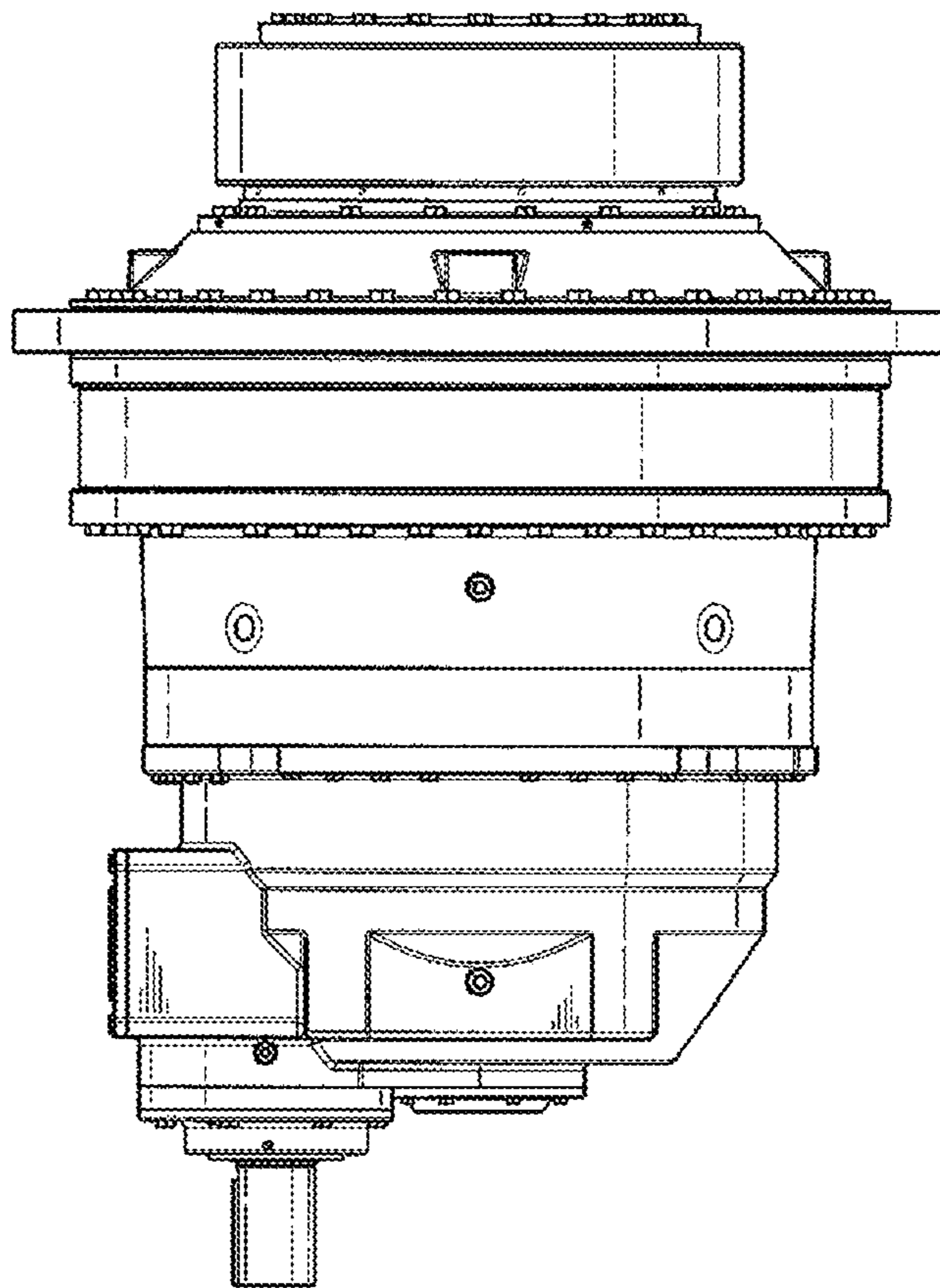


FIG. 4

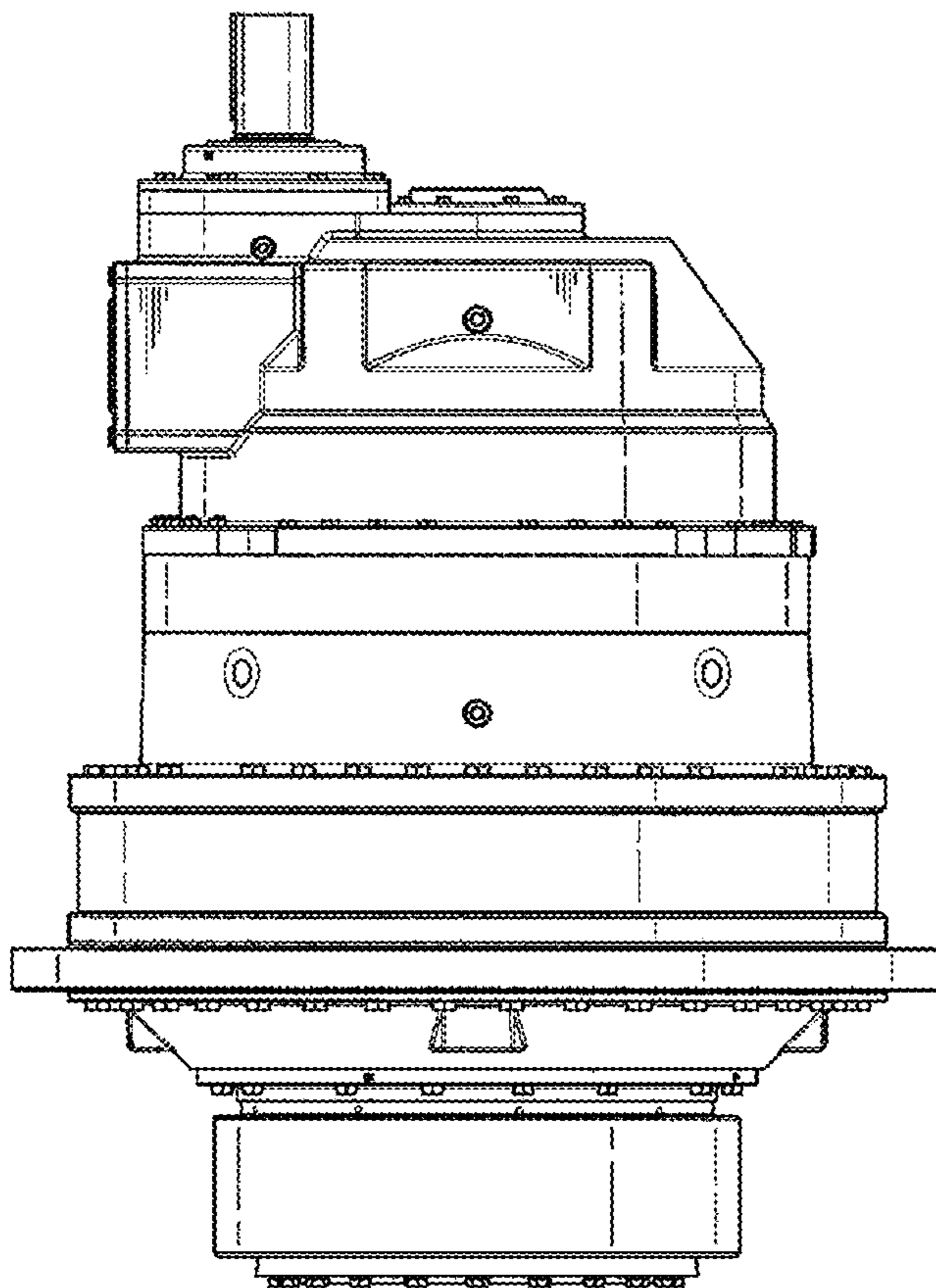


FIG. 5

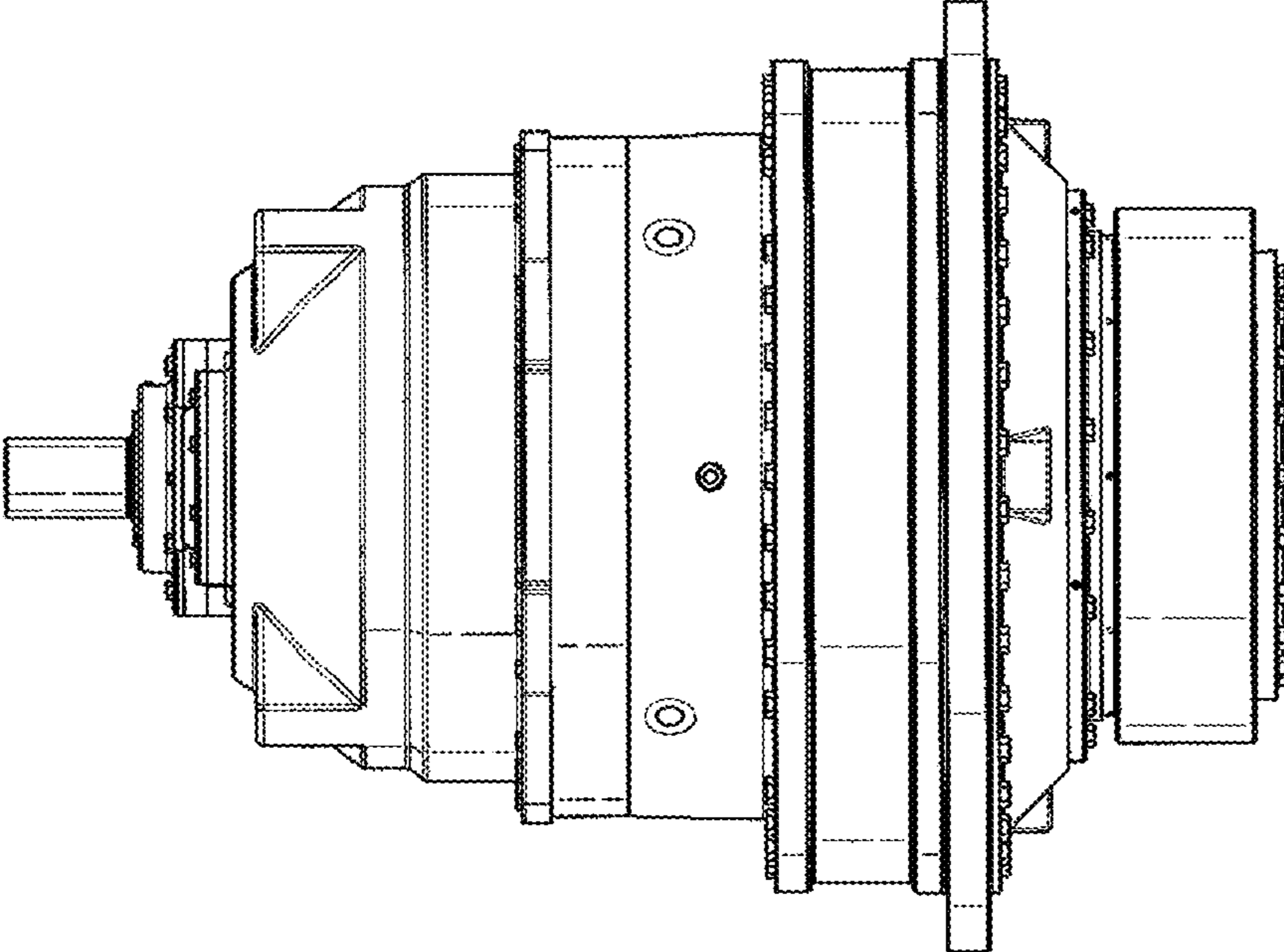


FIG. 6

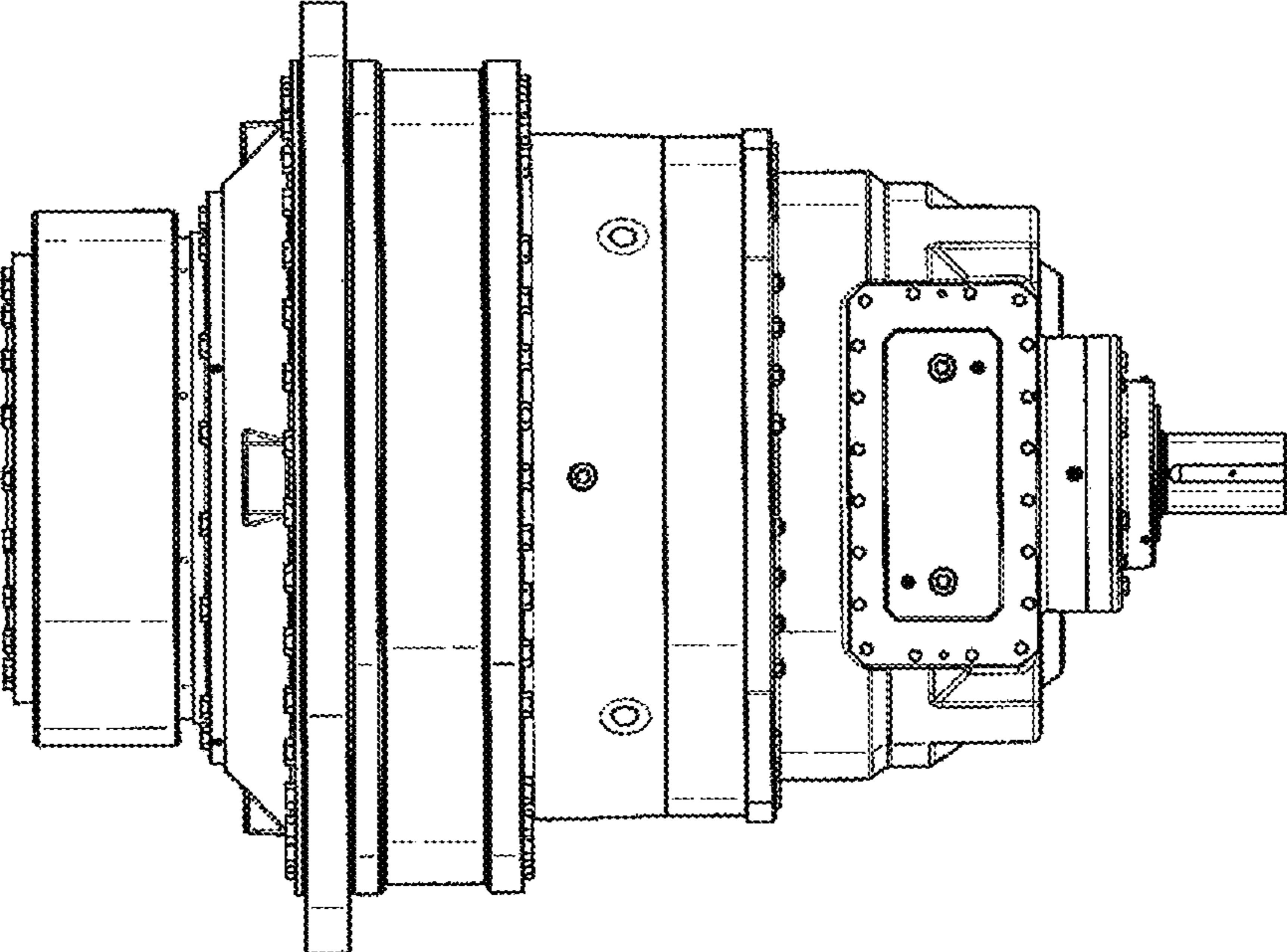
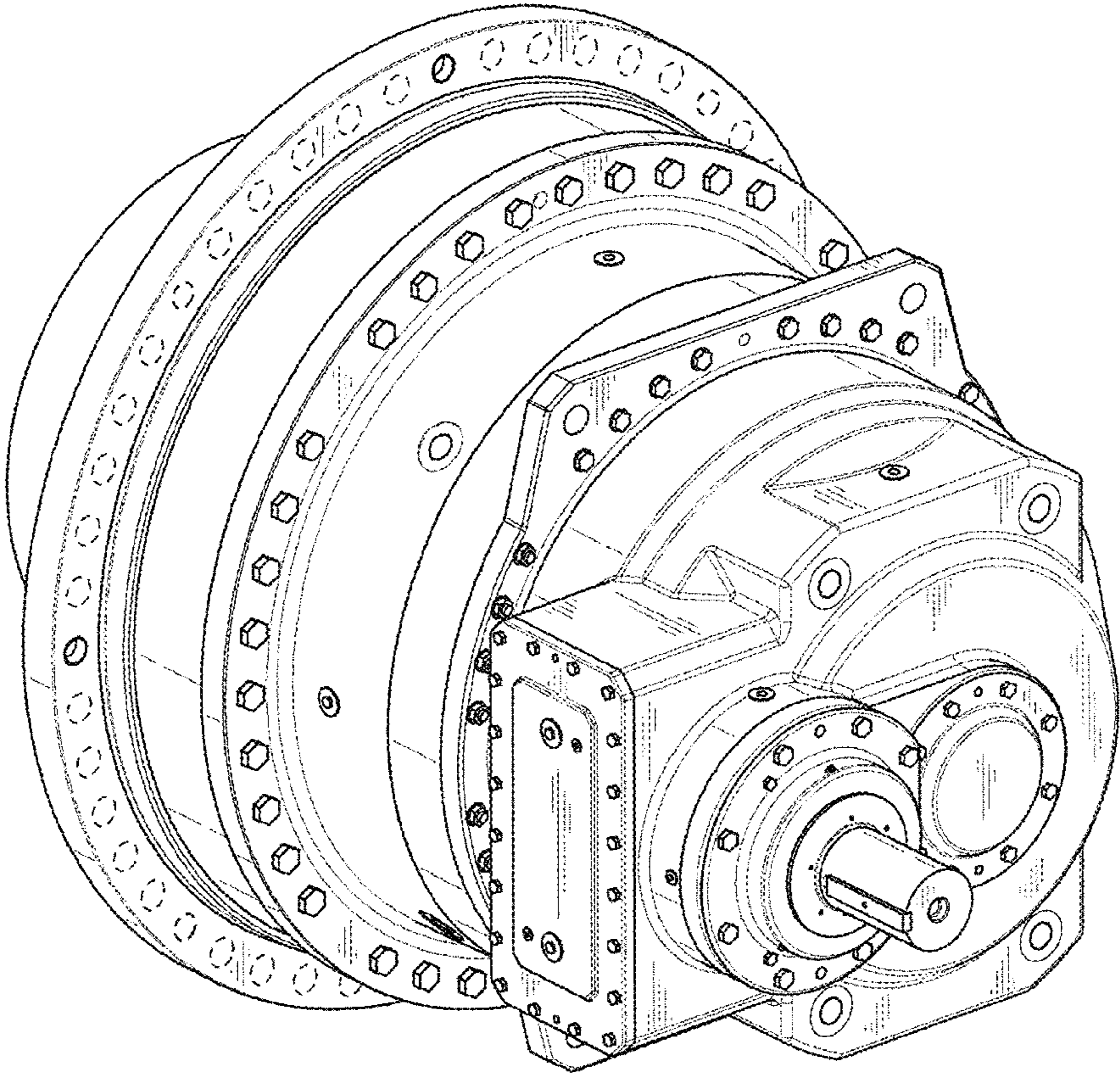


FIG 7



UNITED STATES PATENT AND TRADEMARK OFFICE
CERTIFICATE OF CORRECTION

PATENT NO. : D769,952 S
APPLICATION NO. : 29/515115
DATED : October 25, 2016
INVENTOR(S) : Jan Andersson, Steffen Schmalzer and Birgit Six

Page 1 of 1

It is certified that error appears in the above-identified patent and that said Letters Patent is hereby corrected as shown below:

On the Title Page

Column one under Item (30) FOREIGN APPLICATION PRIORITY DATA, correct "EM" to read --EU--.

Signed and Sealed this
Third Day of January, 2017



Michelle K. Lee
Director of the United States Patent and Trademark Office