



US00D769949S

(12) **United States Design Patent**  
**Cook et al.**

(10) **Patent No.:** **US D769,949 S**  
(45) **Date of Patent:** **\*\* Oct. 25, 2016**

- (54) **INSULATION BLOWING MACHINE**
- (71) Applicant: **Owens Corning Intellectual Capital, LLC**, Toledo, OH (US)
- (72) Inventors: **David M. Cook**, Granville, OH (US); **Todd Jenkins**, Newark, OH (US); **Trey McNamee**, Perrysburg, OH (US); **Brandon Robinson**, Sylvania, OH (US); **Fawn Uhl**, New Albany, OH (US); **Joseph Wagner**, Perrysburg, OH (US); **Ryan S. Crisp**, Lewis Center, OH (US); **Christopher S. Daniels**, Columbus, OH (US); **Mark E. Mnich**, Westerville, OH (US)
- (73) Assignee: **Owens Corning Intellectual Capital, LLC**, Toledo, OH (US)
- (\*\*) Term: **14 Years**
- (21) Appl. No.: **29/523,758**
- (22) Filed: **Apr. 14, 2015**
- (51) **LOC (10) Cl.** ..... **15-09**
- (52) **U.S. Cl.**  
USPC ..... **D15/122**
- (58) **Field of Classification Search**  
USPC ..... D15/122; D23/370, 383  
See application file for complete search history.

(56) **References Cited**

**U.S. PATENT DOCUMENTS**

- 2,311,773 A \* 2/1943 Patterson ..... E04F 21/12  
241/186.4
- 3,995,775 A \* 12/1976 Birkmeier ..... E04F 21/085  
406/135
- D249,525 S \* 9/1978 Sperber ..... D15/122
- 4,236,654 A \* 12/1980 Mello ..... B05B 7/1409  
222/238
- D259,197 S 5/1981 Gibbons
- D260,651 S 9/1981 Gibbons
- 4,337,902 A 7/1982 Markham
- 5,114,281 A \* 5/1992 Hartnett ..... E04F 21/085  
222/617
- 5,647,696 A \* 7/1997 Sperber ..... E04F 21/12  
198/575
- 5,669,563 A 9/1997 Gearing et al.

- 5,829,649 A \* 11/1998 Horton ..... B02C 13/10  
222/238
- 6,109,488 A \* 8/2000 Horton ..... E04F 21/085  
222/238
- 6,796,748 B1 \* 9/2004 Sperber ..... E04F 21/085  
222/636
- D568,458 S 5/2008 Evans et al.
- 7,712,690 B2 \* 5/2010 Johnson ..... E04F 21/085  
241/60
- 7,731,115 B2 \* 6/2010 Johnson ..... E04F 21/085  
241/101.8
- 7,819,349 B2 \* 10/2010 Johnson ..... E04F 21/085  
241/101.4
- 7,845,585 B2 \* 12/2010 Evans ..... E04F 21/085  
241/60
- D633,612 S 3/2011 Hartzell et al.
- 7,938,348 B2 \* 5/2011 Evans ..... B02C 18/2216  
241/225
- 7,971,813 B2 \* 7/2011 O'Leary ..... B02C 18/2216  
241/18
- 7,971,814 B2 \* 7/2011 Evans ..... B02C 23/30  
241/60
- 8,272,587 B2 \* 9/2012 Johnson ..... E04F 21/085  
241/277
- 8,490,900 B2 \* 7/2013 Evans ..... E04F 21/085  
241/18
- 8,726,608 B2 \* 5/2014 O'Leary ..... B02C 18/12  
241/225
- 2008/0087751 A1 \* 4/2008 Johnson ..... E04F 21/085  
241/60

\* cited by examiner

*Primary Examiner* — Patricia Palasik

(74) *Attorney, Agent, or Firm* — MacMillan, Sobanski & Todd, LLC

(57) **CLAIM**

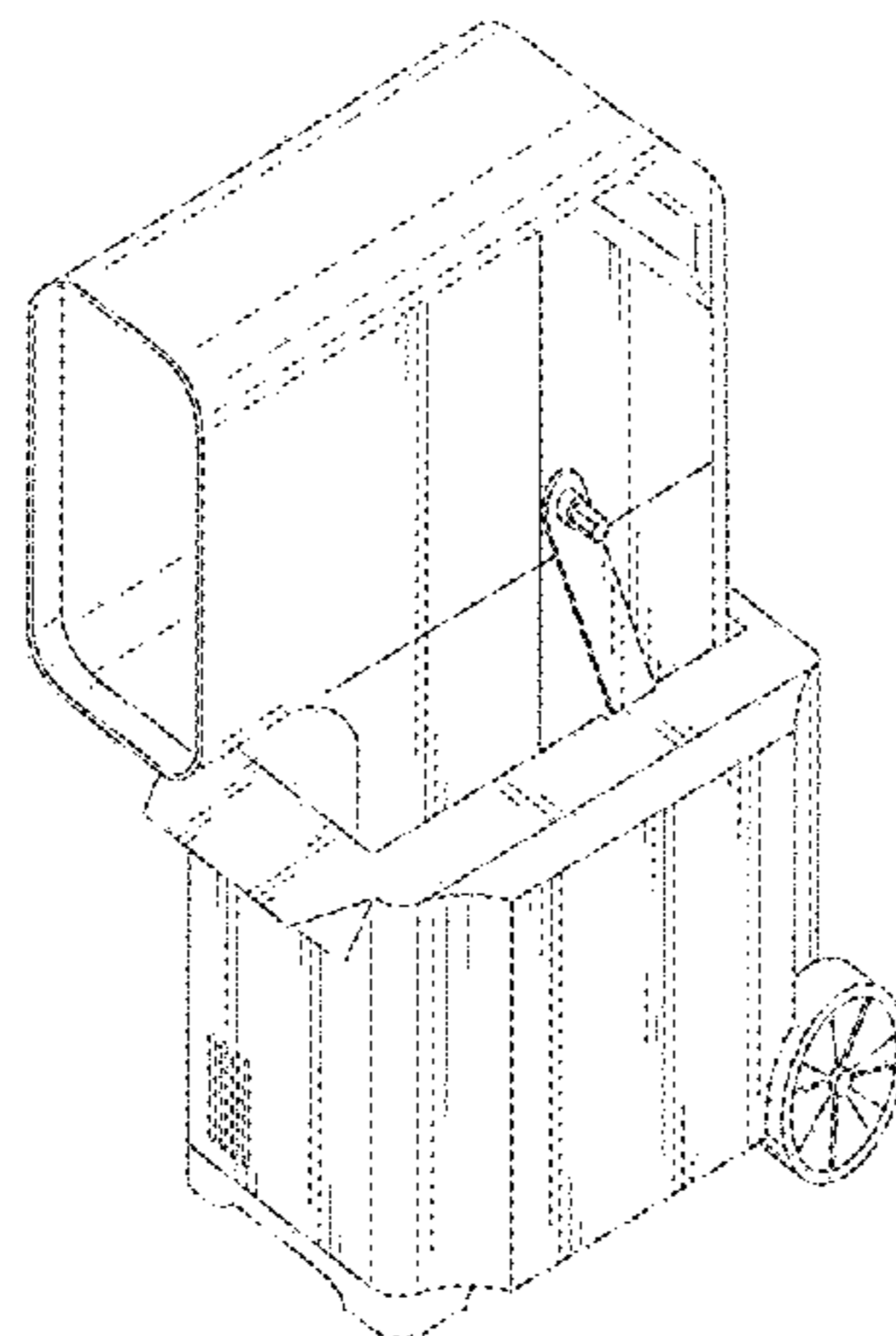
The ornamental design for an insulation blowing machine, as shown and described.

**DESCRIPTION**

FIG. 1 is a side perspective view of an insulation blowing machine according to the design; FIG. 2 is a right side elevational view thereof; FIG. 3 is a left side elevational view thereof; FIG. 4 is a top plan view thereof; FIG. 5 is a bottom plan view thereof; and, FIG. 6 is a front elevational view thereof.

The broken lines showing portions of an insulation blowing machine are included for the purpose of illustrating environmental structure and form no part of the claimed design.

**1 Claim, 4 Drawing Sheets**



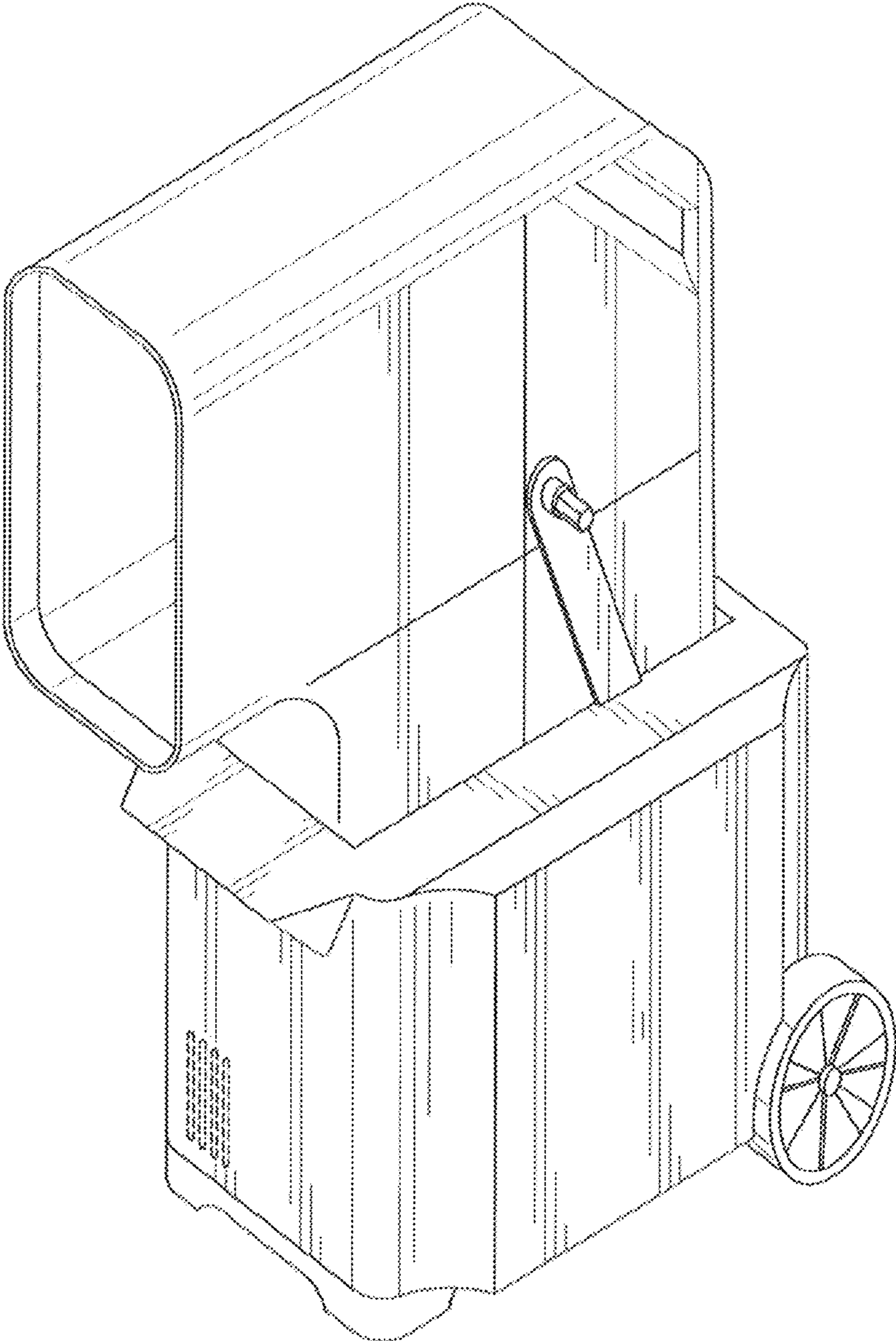


FIG. 1

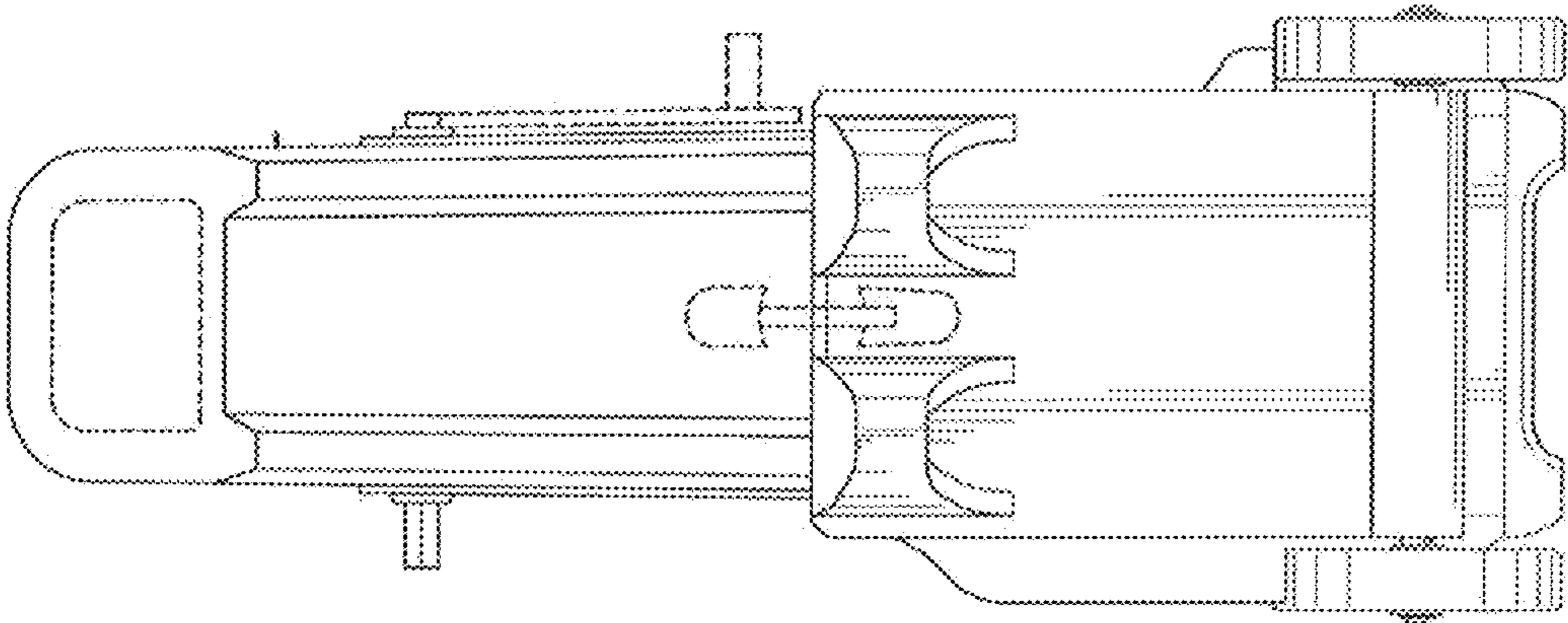


FIG. 3

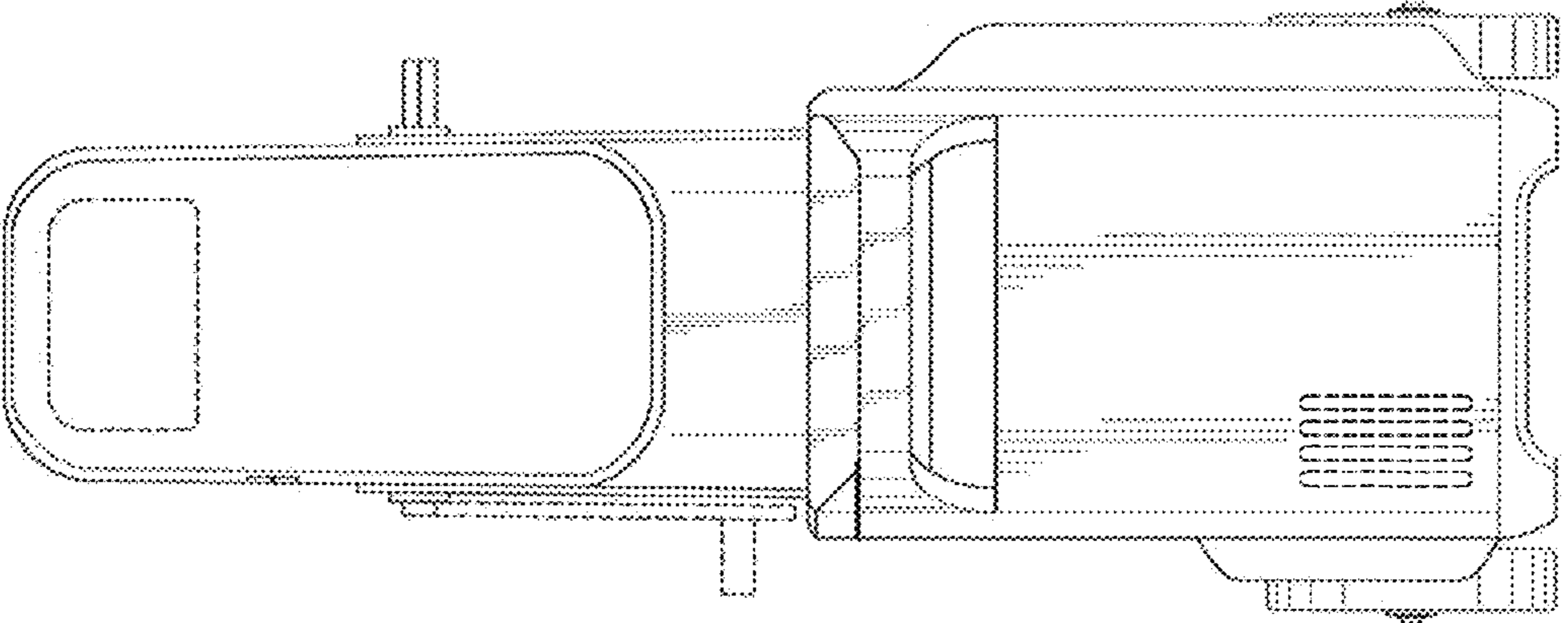


FIG. 2

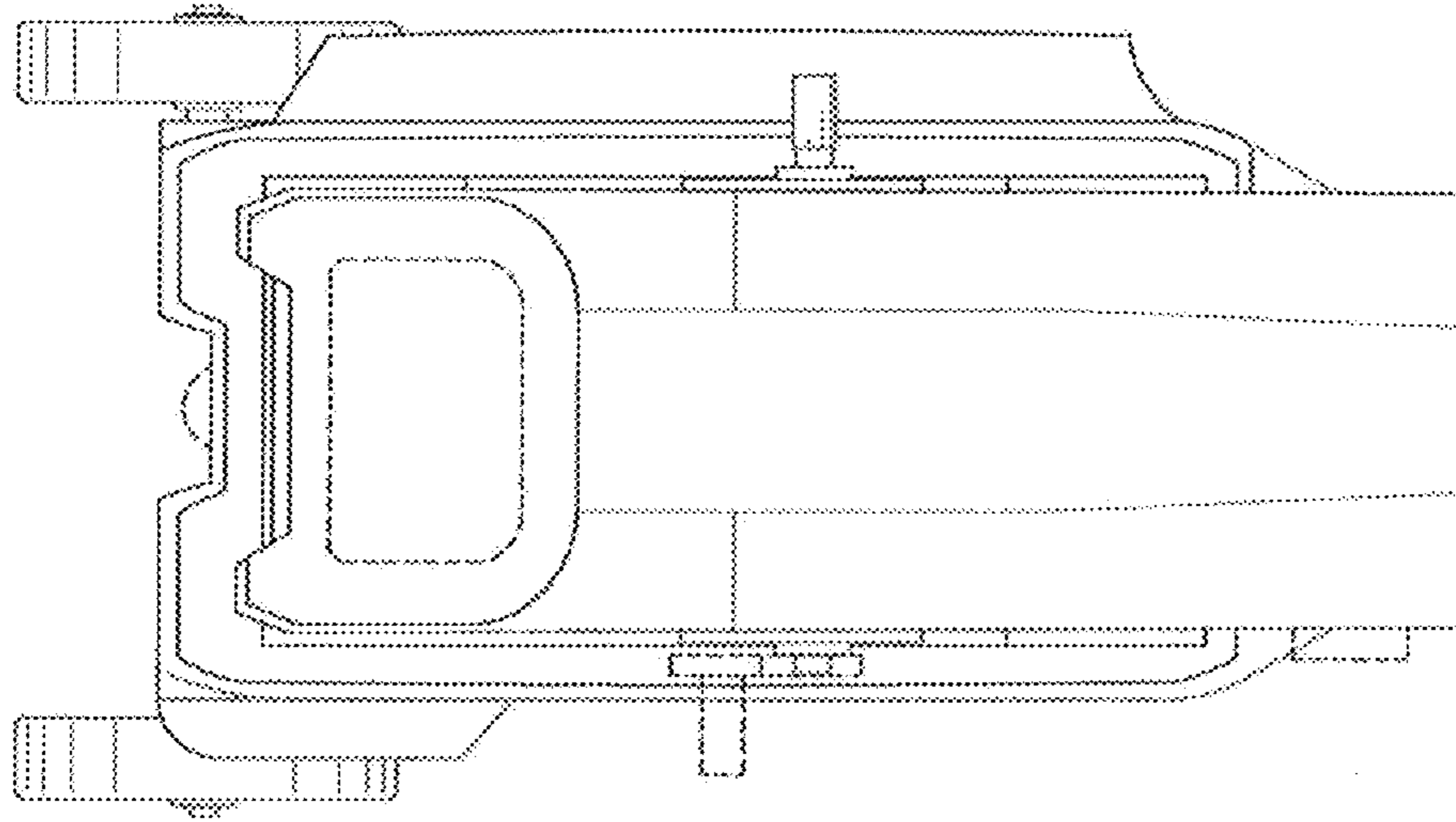


FIG. 4

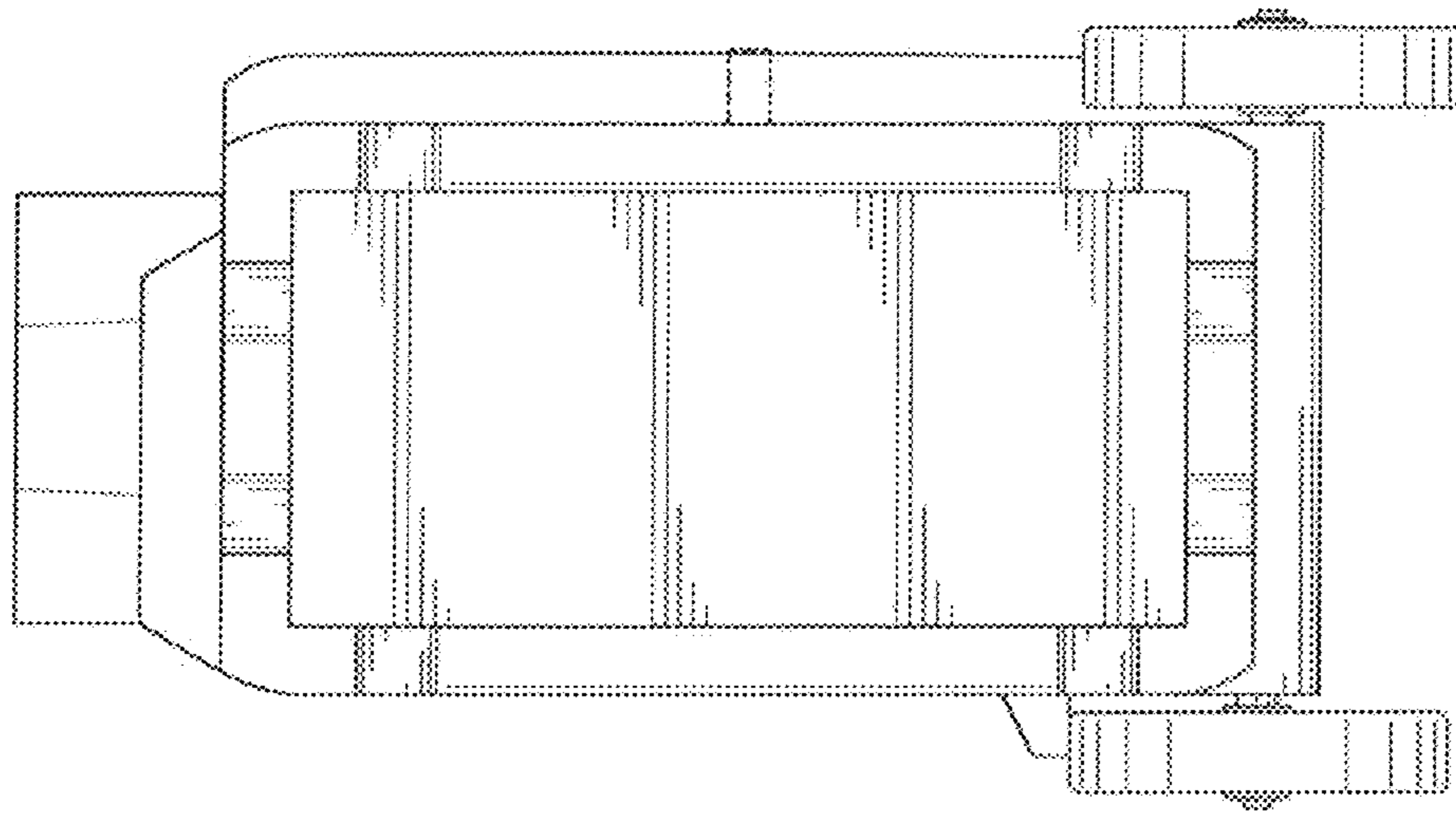


FIG. 5

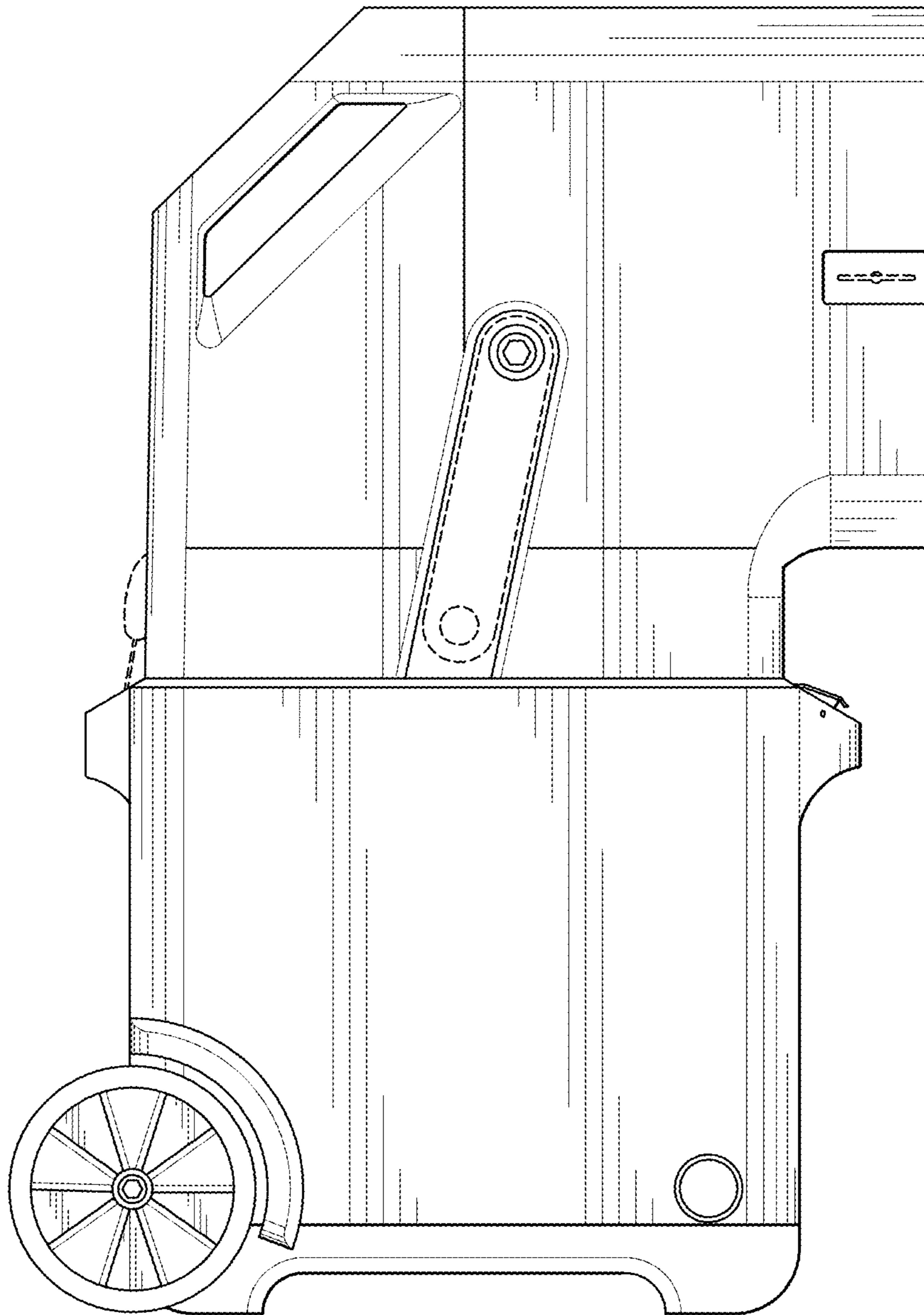


FIG. 6