



US00D769946S

(12) **United States Design Patent** (10) **Patent No.:** **US D769,946 S**
Kunz (45) **Date of Patent:** **** Oct. 25, 2016**

(54) **LIP FOR GROUND ENGAGING MACHINE IMPLEMENT**

(71) Applicant: **Caterpillar Inc.**, Peoria, IL (US)

(72) Inventor: **Phillip J. Kunz**, Morton, IL (US)

(73) Assignee: **Caterpillar Inc.**, Peoria, IL (US)

(**) Term: **14 Years**

(21) Appl. No.: **29/524,183**

(22) Filed: **Apr. 17, 2015**

(51) **LOC (10) Cl.** **15-03**

(52) **U.S. Cl.**

USPC **D15/32**; D15/29

(58) **Field of Classification Search**

USPC D15/28, 29, 32; 403/378, 379.5, 379;
37/466, 444, 448, 450-459, 446, 447,
37/449, 195; 172/701.3, 772, 772.5, 753,
172/713

CPC E02F 3/36; E02F 3/8152; E02F 3/40;
E02F 3/401; E02F 3/60; E02F 3/76; E02F
3/815; E02F 9/2841; E02F 9/2825; E02F
9/2858; E02F 9/2883; E02F 9/2833; E02F
9/2808; E02F 9/2816; E02F 9/00; E02F
9/285; Y10T 16/05; Y10T 403/7079; Y10S
37/903

See application file for complete search history.

(56) **References Cited**

U.S. PATENT DOCUMENTS

2,256,488 A	9/1941	Murtaugh	
3,079,710 A	3/1963	Larsen et al.	
3,664,044 A *	5/1972	Hahn	E02F 9/2833 16/2.1
4,047,312 A	9/1977	Stepe	
D246,176 S	10/1977	Dahlberg et al.	
D249,088 S *	8/1978	Dahlberg	D15/32
4,476,641 A *	10/1984	Ballinger	E02F 9/2808 37/444
4,481,728 A	11/1984	Mulder et al.	

4,570,365 A * 2/1986 Bierwith E02F 9/2808
37/446

4,980,980 A 1/1991 Schadov et al.

5,084,990 A * 2/1992 Briscoe E02F 3/60
37/398

5,088,214 A 2/1992 Jones

5,400,530 A * 3/1995 Schmidt E02F 3/60
37/396

5,553,409 A 9/1996 Irving

(Continued)

FOREIGN PATENT DOCUMENTS

WO WO 2007/016719 2/2007

WO WO 2013/067585 5/2013

OTHER PUBLICATIONS

U.S. Appl. No. 29/524,172, filed Apr. 17, 2015. (Unpublished).

(Continued)

Primary Examiner — Mark Goodwin

(74) *Attorney, Agent, or Firm* — Saidman DesignLaw
Group, LLC

(57) **CLAIM**

The ornamental design for a lip for ground engaging machine implement, as shown and described.

DESCRIPTION

FIG. 1 is a front perspective view of a lip for ground engaging machine implement showing my new design;

FIG. 2 is a front view thereof;

FIG. 3 is a rear view thereof;

FIG. 4 is a left side view thereof;

FIG. 5 is a right side view thereof;

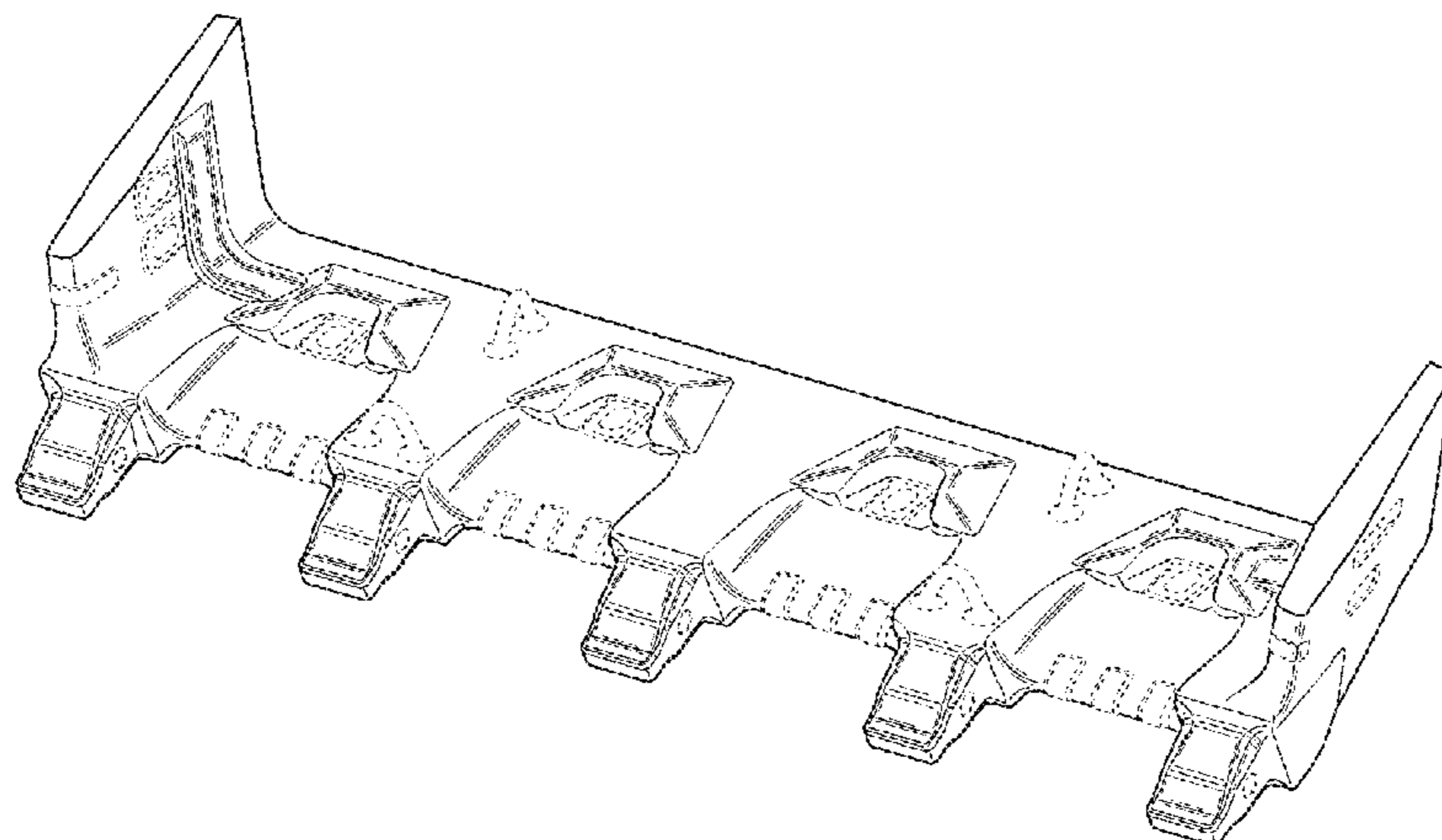
FIG. 6 is a top view thereof; and,

FIG. 7 is a bottom view thereof.

The dashed broken lines illustrate structure or features that form no part of the claimed design.

The relatively thin shade lines represent contour, not surface ornamentation.

1 Claim, 5 Drawing Sheets



(56)

References Cited

U.S. PATENT DOCUMENTS

6,230,424 B1 * 5/2001 Renski E02F 3/8152
172/772.5
6,434,865 B2 * 8/2002 Renski E02F 3/8152
172/772.5
6,457,268 B1 * 10/2002 Perry E02F 3/8152
37/403
D478,599 S * 8/2003 Zaayman D15/32
6,751,897 B2 * 6/2004 Bierwith E02F 9/2816
37/446
6,952,892 B1 * 10/2005 Bierwith E02F 9/2816
37/195
6,990,760 B1 * 1/2006 Zaayman E02F 3/36
37/446
D537,846 S * 3/2007 Block D15/32
7,559,162 B2 * 7/2009 Bierwith E02F 9/2825
172/701.3
D623,671 S * 9/2010 Bolyard D15/32
D631,490 S * 1/2011 Drager D15/32
D678,361 S * 3/2013 Attwood D15/32
8,572,870 B2 11/2013 Kudo et al.
D705,275 S * 5/2014 Haslett D15/28
D706,307 S 6/2014 Renski et al.
D706,311 S 6/2014 Renski et al.
D706,312 S 6/2014 Renski et al.
D706,839 S 6/2014 Renski et al.
D706,840 S 6/2014 Renski et al.
D707,263 S 6/2014 Renski et al.
D707,264 S 6/2014 Renski et al.
8,959,806 B2 * 2/2015 Zamorano Jones E02F 9/00
37/446
D727,367 S 4/2015 Renski et al.
D727,368 S 4/2015 Renski et al.
D727,369 S 4/2015 Renski et al.
D727,979 S 4/2015 Renski et al.

D727,980 S 4/2015 Renski et al.
D727,981 S 4/2015 Renski et al.
D727,982 S 4/2015 Renski et al.
D728,635 S 5/2015 Kunz
D728,636 S 5/2015 Kunz
D728,637 S 5/2015 Kunz
9,260,839 B2 * 2/2016 Kunz E02F 9/2825
2003/0093928 A1 * 5/2003 Bierwith E02F 9/2816
37/466
2005/0241194 A1 * 11/2005 Bierwith E02F 9/2816
37/455
2005/0241195 A1 * 11/2005 Bierwith E02F 9/2825
37/456
2012/0297649 A1 11/2012 Gomar
2012/0304508 A1 * 12/2012 Guimaraes E02F 9/2825
37/457
2013/0008062 A1 * 1/2013 Guimaraes E02F 9/2833
37/446
2013/0047475 A1 * 2/2013 Bierwith E02F 3/40
37/455
2013/0145660 A1 * 6/2013 Zamorano Jones E02F 9/00
37/460
2013/0185964 A1 7/2013 Anisy et al.
2013/0318840 A1 12/2013 Ollinger, IV et al.
2014/0082976 A1 3/2014 Vicq et al.
2014/0082977 A1 3/2014 Pilon

OTHER PUBLICATIONS

U.S. Appl. No. 29/524,178, filed Apr. 17, 2015. (Unpublished).
U.S. Appl. No. 62/148,992, filed Apr. 17, 2015. (Unpublished).
U.S. Appl. No. 62/149,077, filed Apr. 17, 2015. (Unpublished).
U.S. Appl. No. 62/149,161, filed Apr. 17, 2015. (Unpublished).
U.S. Appl. No. 62/149,229, filed Apr. 17, 2015. (Unpublished).

* cited by examiner

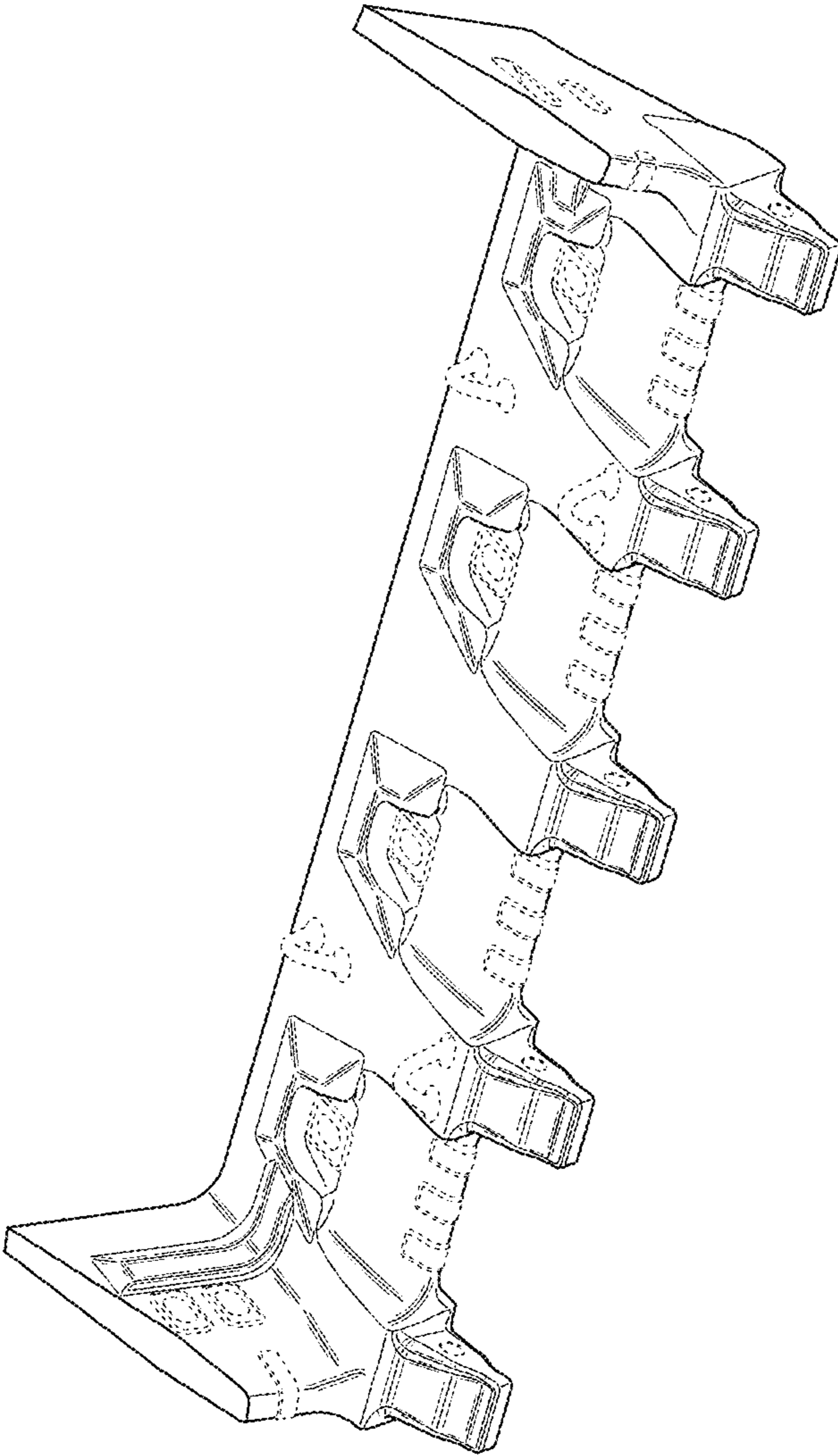


Fig. 1

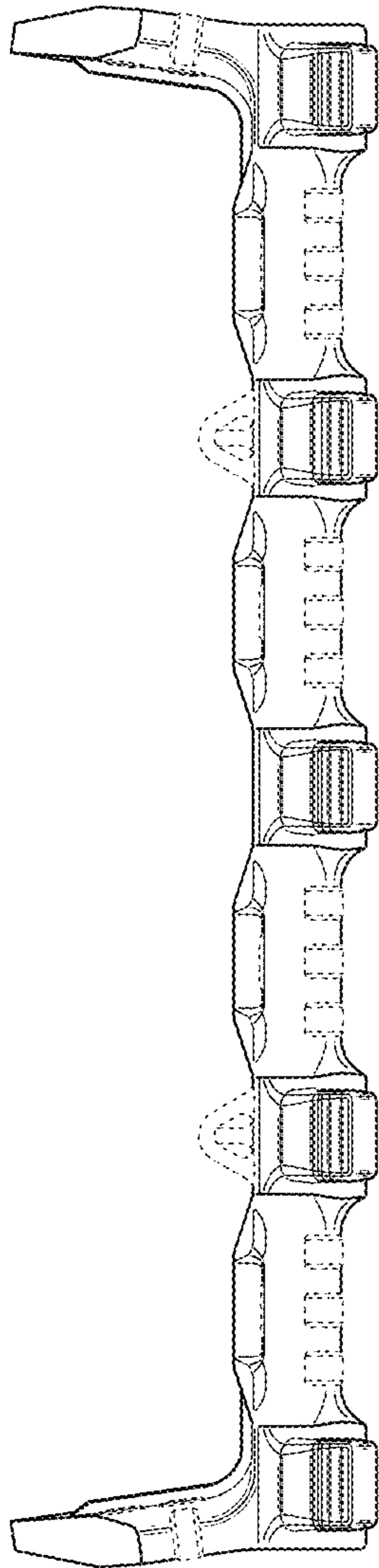


Fig. 2

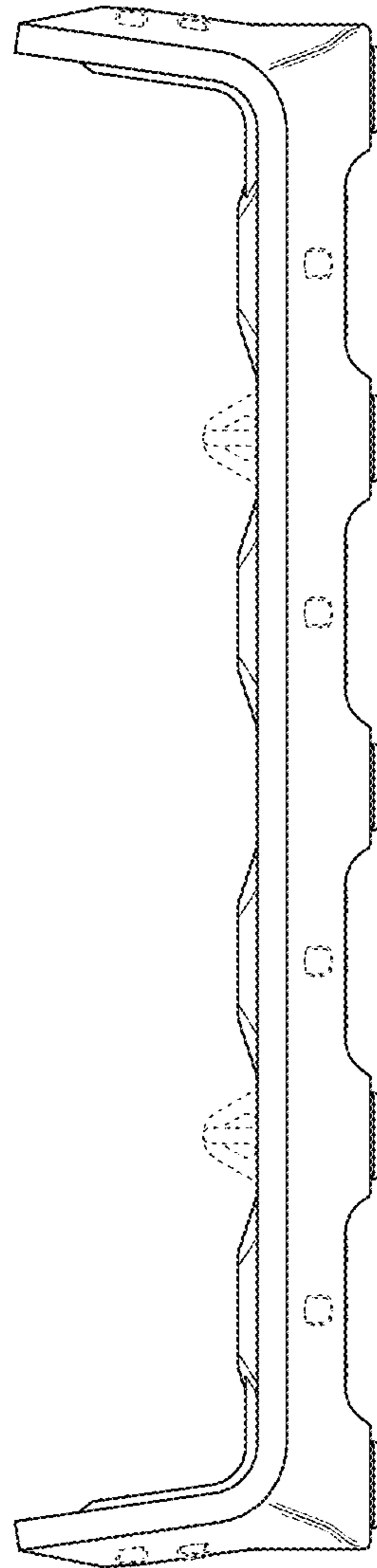


Fig. 3

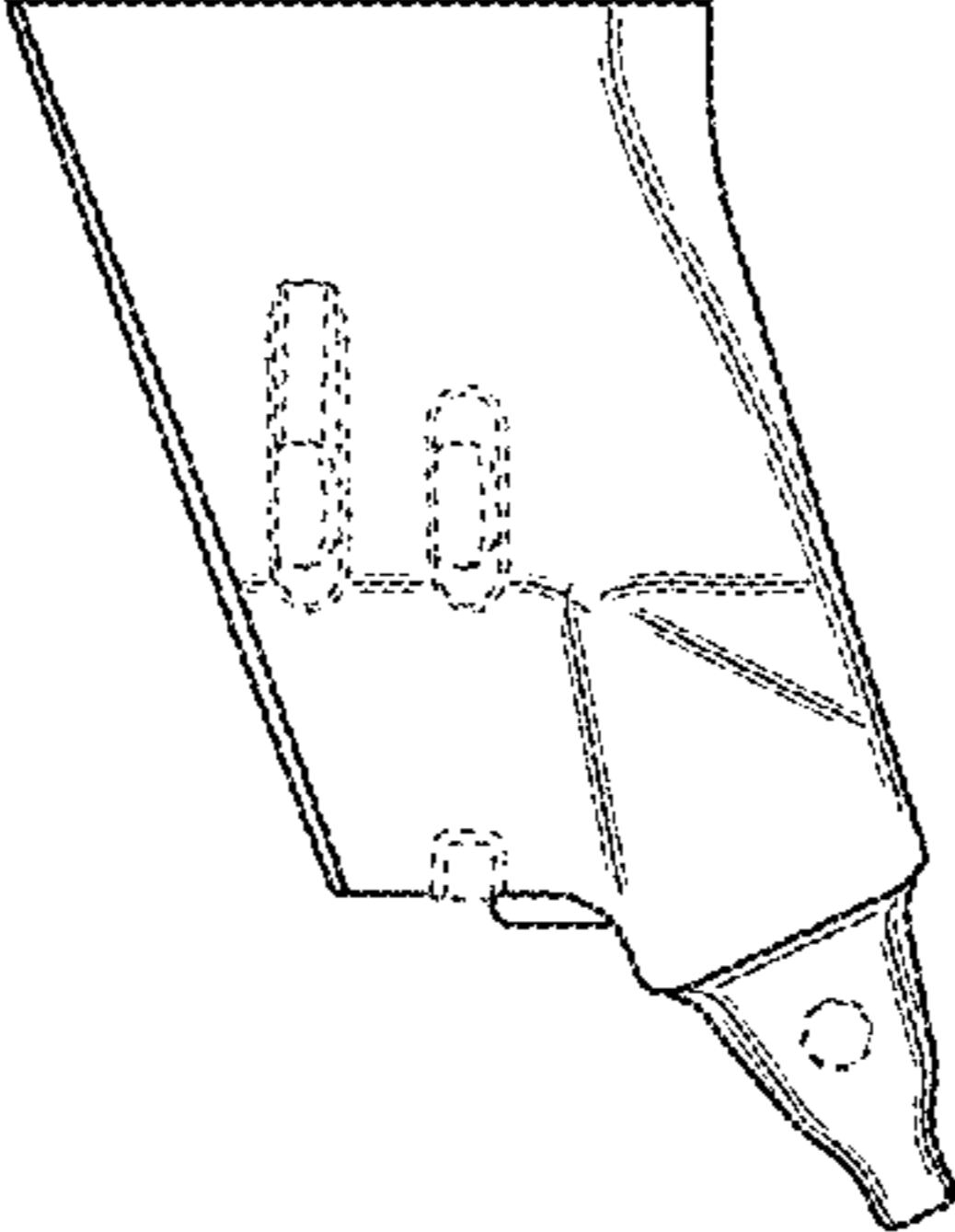


Fig. 5

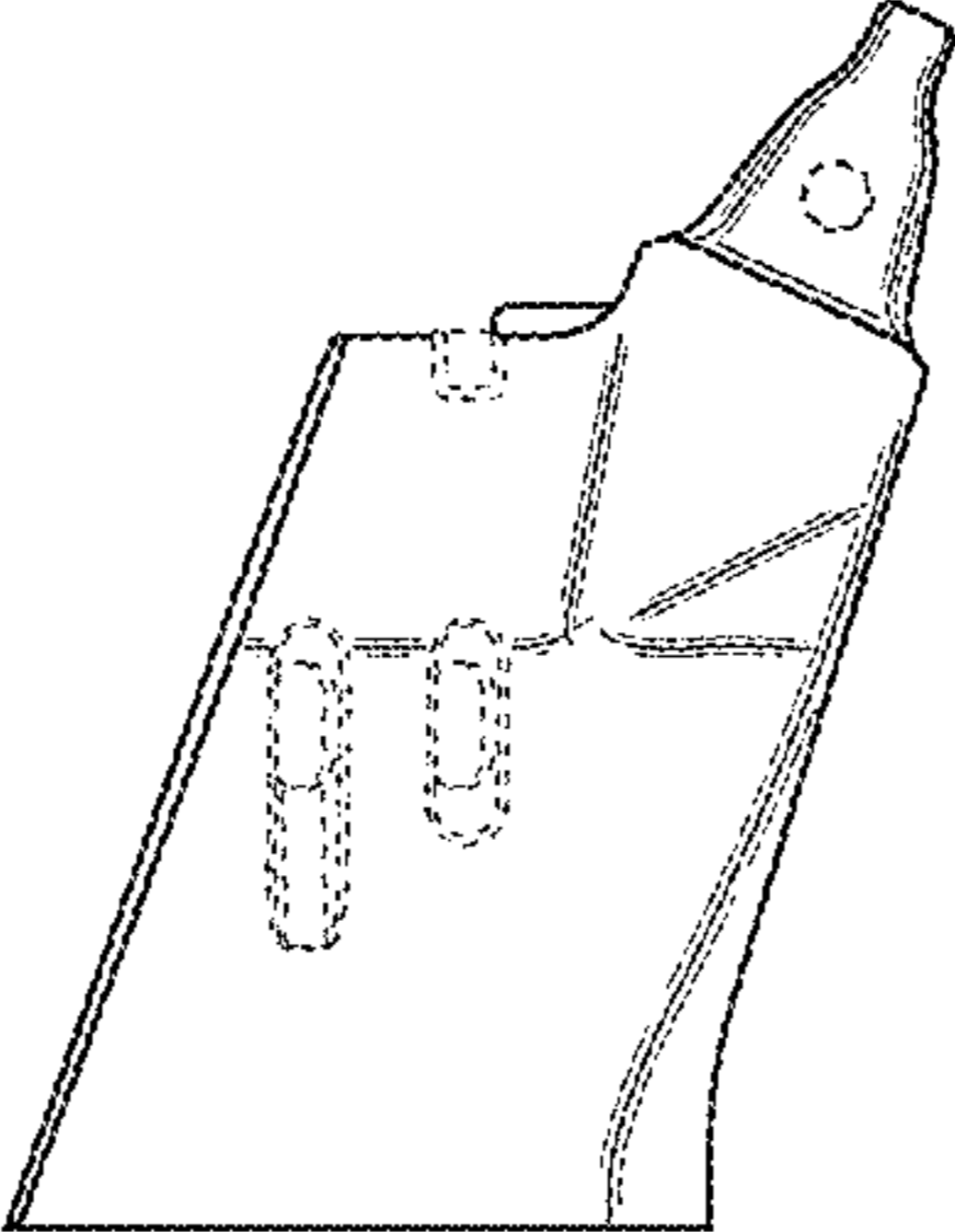


Fig. 4

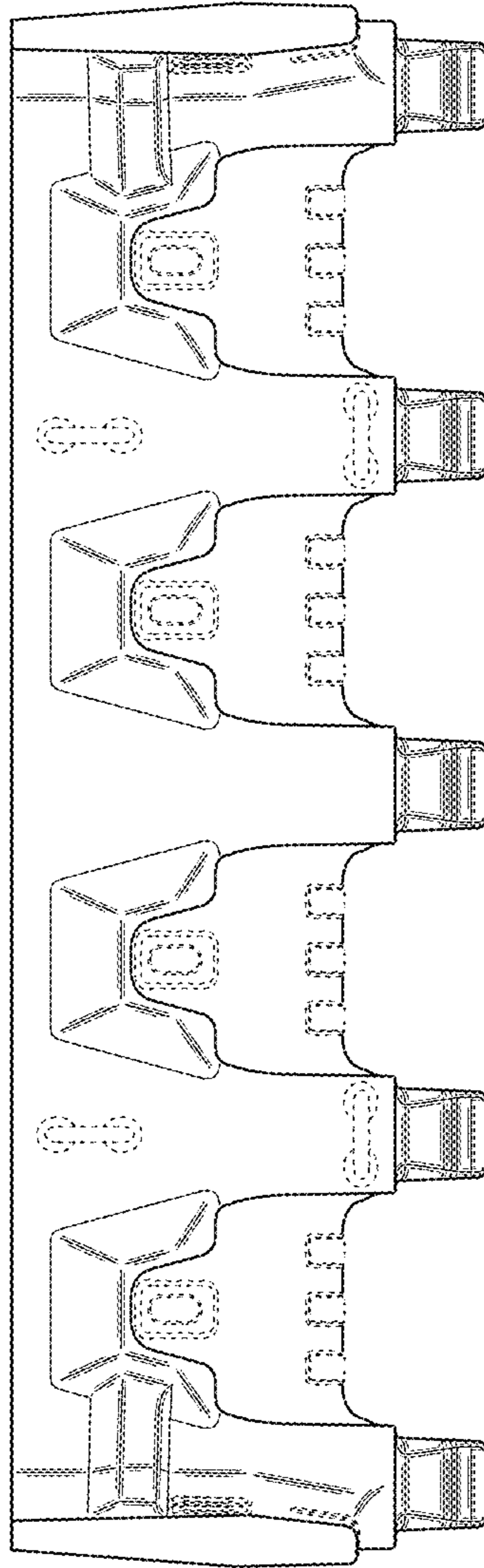


Fig. 6

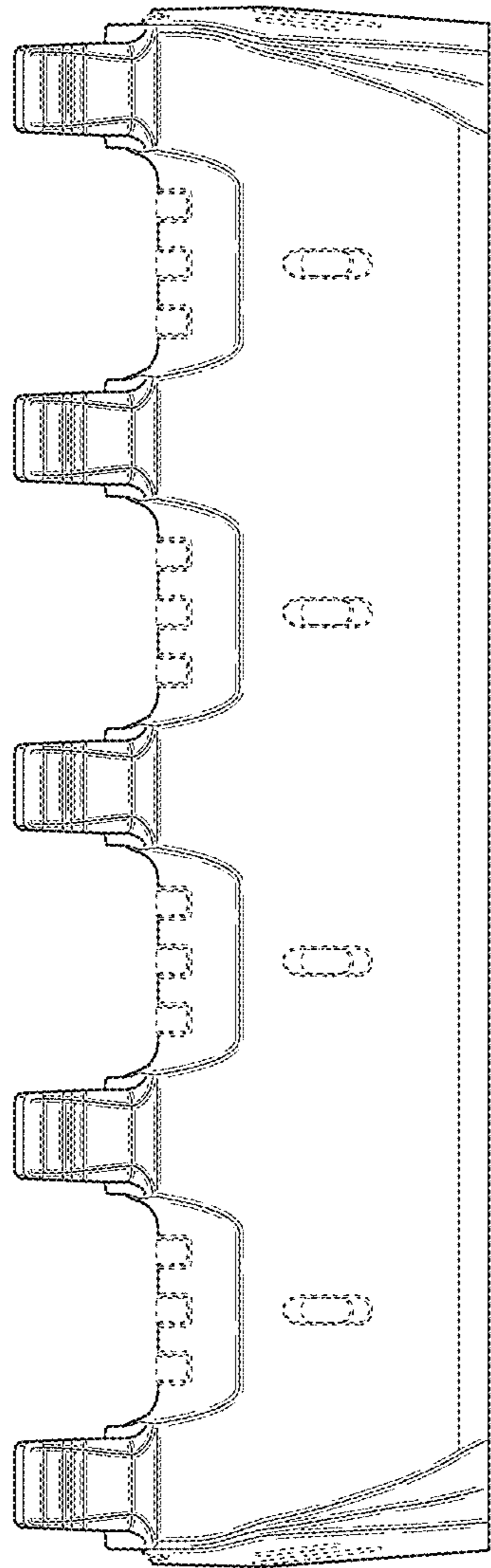


Fig. 7